

item



Systematic innovation.

New Products 2016/ II



Experience innovation – new item products for 2016/ II.

4 MB Building Kit System

More grip! The new **operating elements Pi** offer ergonomic grips in four shapes, three sizes and with lots of useful details. Whether short or long, straight or contoured, perfectly rounded surfaces ensure these grips are the perfect fit for any hand.

More support! The new **Angle Fastener 8 40x40-45°** enables you to build supporting braces at a 45° angle in next to no time. Retrofitting is also an option and doesn't require a mitre cut.

More stability! The new **Base Plate/Transport Plate 8 80x80-R80, M12** provides a stable footing and evens out height differences on structures that use Profile 8 R40/80-90°. As a result, outer corners can be designed with a gentle curve.

20 Automation System

More drive! Ready-to-install **Linear Unit LRE 8 D10 80x40 ZS K light** uses a rack drive made of high-strength plastic. Thanks to its low dead weight and outstanding safety for vertical motion, it is ideal for lifting applications involving medium loads. The slide runs on a high-strength Double-Bearing Unit and hardened steel Shafts.

More weight savings! Thanks to **Rack 8 Segment 80 K**, you can build customised Linear Units with a rack drive in any length. Made from high-strength plastic, the elements are simply slotted into a Line 8 groove one after another and interlock with each other. The rack is safely concealed in the groove of a Profile 8 and exhibits high rigidity and low coefficients of friction.



23 Work Bench System

More freedom! Our **height-adjustable Monitor Arms** help you position flatscreen monitors quickly and accurately. The new **Pivot Arms** can be moved in all directions, making them ideal ergonomic accessories. The practical pivot function means that screens can be turned through 90°.

More storage space! The generously proportioned **Cable Duct E 160x160** is ideal for hiding away plenty of cables, plugs and power packs. Everything is stored safely away from dust. The Cable Duct is delivered complete with lid and accessories in the appropriate length for item work benches.

More choice! The large, aluminium **Conduit Profile U 160x160 SE** offers plenty of room for configuring custom solutions that help keep the workplace clear and tidy. Compatible Assembly Sets for Conduit Profiles U make it easier to mount the solution to Line 8 profiles.

32 Lean Production Building Kit System

More options! The new item solution for modular **transport roller conveyors** makes it incredibly easy to interlink workstations. Conveyor lines can be built and extended in next to no time. Users can choose between robust roller elements made of aluminium or lightweight plastic roller elements, as appropriate to the goods that need to be transported.

More length! Or less! To create pull-out **telescopic solutions**, the new Telescope Clamp D40/D30 fixes a Profile Tube D30 that has been slotted inside another Profile Tube at the desired length. This ensures accessories can be adjusted to different gradients or heights. It is also an ideal and convenient solution for building adjustable and fold-away elements.

More organisation! The versatile **Container Profile D30** organises semi-open fronted boxes with mounting lugs, Parts Containers and Grab Containers. It is ideal for a whole range of uses and systems.



Factory equipment engineering – with the MB Building Kit System.

Operating elements Pi

Angle Fastener 8 40x40-45°

Base Plate/Transport Plate 8 80x80-R80, M12



Everything in hand.

Four grip models, each in three sizes

Rounded surfaces with easy-grip haptics

Visual accents thanks to caps in contrasting colours

Operating elements Pi

They always fit nicely into the hand! Thanks to rounded surfaces, a wide selection and lots of useful details, item operating elements Pi make opening, closing and holding actions an ergonomic and pleasant experience. Perfect haptics and ideal curves are the trademarks of operating elements Pi. Just as Archimedes once approximated the circumference of a circle – and thus the mathematical constant Pi – with iterative calculations using regular polygons, so each and every edge of these grips has been rounded off to achieve the perfect haptic properties.

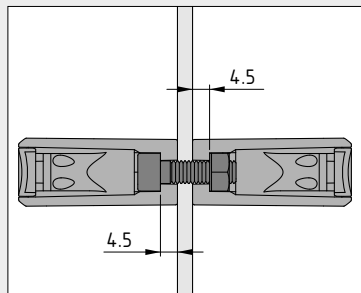
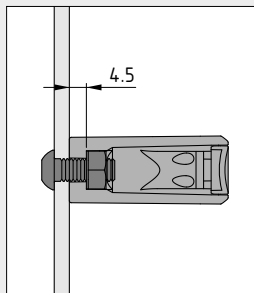
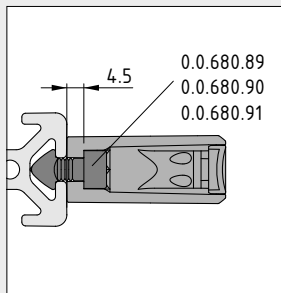
There are four basic models available to choose from, each suitable for various purposes – a classic Handle, a narrow Wing Hand Knob for good torque transfer, a Knurled Hand Knob that can be operated in any orientation and a Tri-Lobe Hand Knob that combines both properties. With each model available in three sizes, finding the right grip for any task is easy. What's more, all the models come in the two basic colours of grey and black. Each set includes Caps in both dark grey and red. The red caps help to make the grips stand out. The dark grey caps help to produce a uniform and harmonious look.

The Wing, Tri-Lobe and Knurled Hand Knobs come in two fixing configurations – either with a male thread (using a screw) or a female thread (using a nut). All the operating elements Pi are made of robust plastic and enable a firm, ergonomic gripping action.

Handles Pi

A handle grip with two fixing points is ideal for opening and closing doors. It can be held with the entire hand and can be utilised at various reaching heights.

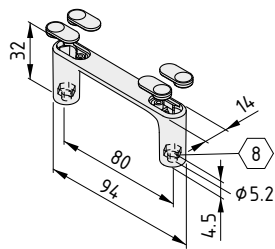
As with all the grips in the item operating elements Pi range, the Handles are made of robust, glass-fibre-reinforced polyamide and support a firm, ergonomic gripping action. They are available in two colours and three sizes. Caps in two colours are also included in the scope of supply.



Handles Pi are extremely versatile, can be fixed in place from the front or rear (concealed) and are particularly suitable for sliding and swing doors.

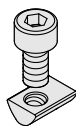
The following applies to all the products below:

- Handle, PA-GF, grey or black
- 2 Caps, PA-GF, red
- 2 Caps, PA-GF, dark grey



Handle Pi 80 M5 PA

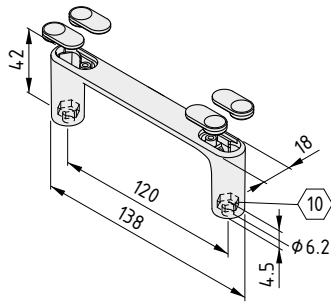
m = 19.0 g	
grey, 1 set	0.0.679.07
black, 1 set	0.0.679.08



Fastening Set 5 4-6mm with Hexagon Socket Head Cap Screw M5

- Hexagon Socket Head Cap Screw DIN 912 M5x10, St, bright zinc-plated
- T-Slot Nut 5 St M5, St, bright zinc-plated
- m = 5.0 g

1 set	0.0.680.89
-------	------------



Handle Pi 120 M6 PA

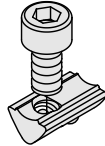
m = 40.0 g

grey, 1 set

0.0.679.09

black, 1 set

0.0.679.10



Fastening Set 6 3-5mm with Hexagon Socket Head Cap Screw M6



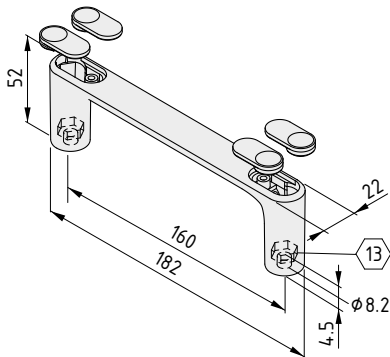
Hexagon Socket Head Cap Screw DIN 912 M6x12, St, bright zinc-plated

T-Slot Nut 6 St M6, St, bright zinc-plated

m = 10.0 g

1 set

0.0.680.90



Handle Pi 160 M8 PA

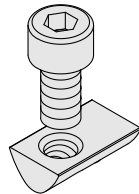
m = 74.0 g

grey, 1 set

0.0.679.11

black, 1 set

0.0.679.12



Fastening Set 8 4-6mm with Hexagon Socket Head Cap Screw M8



Hexagon Socket Head Cap Screw DIN 912 M8x16, St, bright zinc-plated

T-Slot Nut 8 St M8, St, bright zinc-plated

m = 23.0 g

1 set

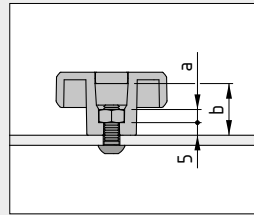
0.0.680.91

Knurled Hand Knobs Pi, male and female

Contoured and yet perfectly rounded: A knurled hand knob can be operated in any orientation, while its gently contoured surface provides a better grip than a smooth disc. There are two fastening options for the Hand Knobs – a male thread (screw) or female thread (nut).

As with all the grips in the item operating elements Pi range, the Knurled Hand Knobs are made of robust, glass-fibre-reinforced polyamide and support a firm, ergonomic gripping action. They are available in two colours and three sizes. Caps in two colours are also included in the scope of supply.

It is important to note the internal geometry of the female Knurled Hand Knobs for fixing purposes:



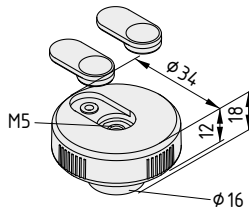
Product	a	b
Knurled Hand Knob Pi, female, D34 M5 PA	4.7	15
Knurled Hand Knob Pi, female, D44 M6 PA	5.2	18
Knurled Hand Knob Pi, female, D54 M8 PA	6.8	21

The following applies to all the products below:

Hand Knob, PA-GF, grey or black with threaded insert, St, bright zinc-plated

Cap, PA-GF, red

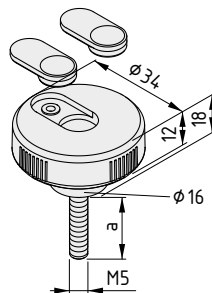
Cap, PA-GF, dark grey



Knurled Hand Knob Pi, female, D34 M5 PA

m = 13.0 g

grey, 1 set	0.0.679.21
black, 1 set	0.0.679.22



Knurled Hand Knob Pi, male, D34 M5x15 PA

a = 15 mm m = 16.0 g

grey, 1 set	0.0.679.66
black, 1 set	0.0.679.67

Knurled Hand Knob Pi, male, D34 M5x20 PA

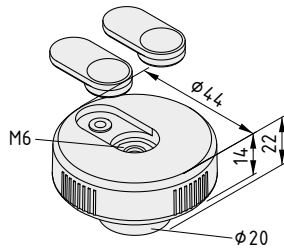
a = 20 mm m = 17.0 g

grey, 1 set	0.0.679.68
black, 1 set	0.0.679.69

Knurled Hand Knob Pi, male, D34 M5x25 PA

a = 25 mm m = 18.0 g

grey, 1 set	0.0.679.70
black, 1 set	0.0.679.71


Knurled Hand Knob Pi, female, D44 M6 PA

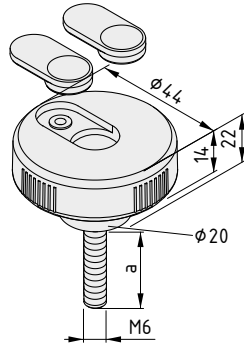
m = 23.0 g

grey, 1 set

0.0.679.23

black, 1 set

0.0.679.24


Knurled Hand Knob Pi, male, D44 M6x15 PA

a = 15 mm m = 27.0 g

grey, 1 set

0.0.679.74

black, 1 set

0.0.679.75

Knurled Hand Knob Pi, male, D44 M6x20 PA

a = 20 mm m = 27.0 g

grey, 1 set

0.0.679.76

black, 1 set

0.0.679.77

Knurled Hand Knob Pi, male, D44 M6x25 PA

a = 25 mm m = 28.0 g

grey, 1 set

0.0.679.78

black, 1 set

0.0.679.79

Knurled Hand Knob Pi, male, D44 M6x30 PA

a = 30 mm m = 29.0 g

grey, 1 set

0.0.679.80

black, 1 set

0.0.679.81

Knurled Hand Knob Pi, male, D44 M6x35 PA

a = 35 mm m = 30.0 g

grey, 1 set

0.0.679.82

black, 1 set

0.0.679.83

Knurled Hand Knob Pi, male, D44 M6x40 PA

a = 40 mm m = 31.0 g

grey, 1 set

0.0.679.84

black, 1 set

0.0.679.85

Knurled Hand Knob Pi, male, D44 M6x45 PA

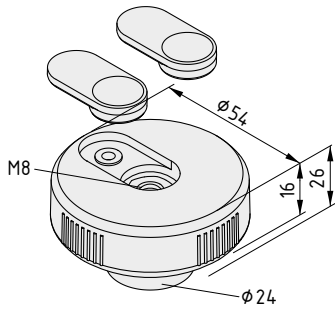
a = 45 mm m = 32.0 g

grey, 1 set

0.0.679.86

black, 1 set

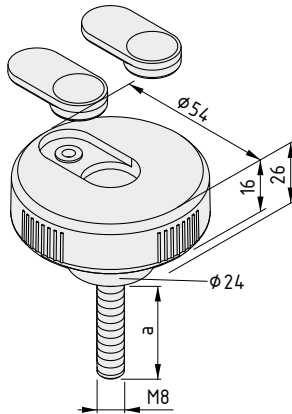
0.0.679.87



Knurled Hand Knob Pi, female, D54 M8 PA

m = 34.0 g

grey, 1 set	0.0.679.25
black, 1 set	0.0.679.26



Knurled Hand Knob Pi, male, D54 M8x15 PA

a = 15 mm m = 42.0 g

grey, 1 set	0.0.679.94
black, 1 set	0.0.679.95

Knurled Hand Knob Pi, male, D54 M8x20 PA

a = 20 mm m = 44.0 g

grey, 1 set	0.0.679.96
black, 1 set	0.0.679.97

Knurled Hand Knob Pi, male, D54 M8x25 PA

a = 25 mm m = 45.0 g

grey, 1 set	0.0.679.98
black, 1 set	0.0.679.99

Knurled Hand Knob Pi, male, D54 M8x30 PA

a = 30 mm m = 47.0 g

grey, 1 set	0.0.680.00
black, 1 set	0.0.680.01

Knurled Hand Knob Pi, male, D54 M8x35 PA

a = 35 mm m = 49.0 g

grey, 1 set	0.0.680.02
black, 1 set	0.0.680.03

Knurled Hand Knob Pi, male, D54 M8x40 PA

a = 40 mm m = 51.0 g

grey, 1 set	0.0.680.04
black, 1 set	0.0.680.05

Knurled Hand Knob Pi, male, D54 M8x45 PA

a = 45 mm m = 52.0 g

grey, 1 set	0.0.680.06
black, 1 set	0.0.680.07

Knurled Hand Knob Pi, male, D54 M8x50 PA

a = 50 mm m = 54.0 g

grey, 1 set	0.0.680.08
black, 1 set	0.0.680.09

Knurled Hand Knob Pi, male, D54 M8x55 PA

a = 55 mm m = 56.0 g

grey, 1 set	0.0.680.10
black, 1 set	0.0.680.11

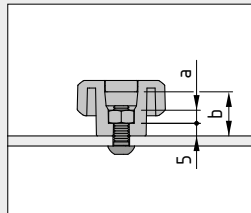


Tri-Lobe Hand Knobs Pi, male and female

A stable hold at every angle: A tri-lobe hand knob is always easy to operate, while its indentations make it the perfect fit for hands to easily obtain a powerful grip. There are two fastening options for the Hand Knobs – a male thread (screw) or female thread (nut).

As with all the grips in the item operating elements Pi range, the Tri-Lobe Hand Knobs are made of robust, glass-fibre-reinforced polyamide and support a firm, ergonomic gripping action. They are available in two colours and three sizes. Caps in two colours are also included in the scope of supply.

It is important to note the internal geometry of the female Tri-Lobe Hand Knobs for fixing purposes:



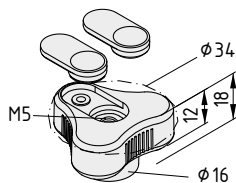
Product	a	b
Tri-Lobe Hand Knob Pi, female, D34 M5 PA	4.7	15
Tri-Lobe Hand Knob Pi, female, D44 M6 PA	5.2	18
Tri-Lobe Hand Knob Pi, female, D54 M8 PA	6.8	21

The following applies to all the products below:

Hand Knob, PA-GF, grey or black with threaded insert, St, bright zinc-plated

Cap, PA-GF, red

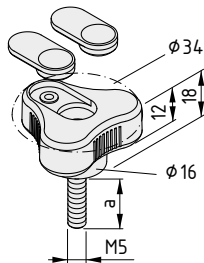
Cap, PA-GF, dark grey



Tri-Lobe Hand Knob Pi, female, D34 M5 PA

m = 10.0 g

grey, 1 set	0.0.679.33
black, 1 set	0.0.679.34



Tri-Lobe Hand Knob Pi, male, D34 M5x15 PA

a = 15 mm m = 13.0 g

grey, 1 set	0.0.680.12
black, 1 set	0.0.680.13

Tri-Lobe Hand Knob Pi, male, D34 M5x20 PA

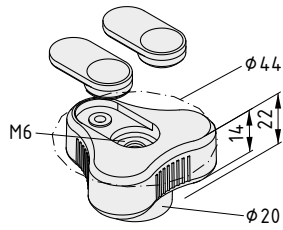
a = 20 mm m = 14.0 g

grey, 1 set	0.0.680.14
black, 1 set	0.0.680.15

Tri-Lobe Hand Knob Pi, male, D34 M5x25 PA

a = 25 mm m = 15.0 g

grey, 1 set	0.0.680.16
black, 1 set	0.0.680.17



Tri-Lobe Hand Knob Pi, female, D44 M6 PA

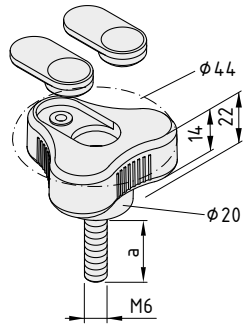
m = 18.0 g

grey, 1 set

0.0.679.35

black, 1 set

0.0.679.36



Tri-Lobe Hand Knob Pi, male, D44 M6x15 PA

a = 15 mm m = 22.0 g

grey, 1 set

0.0.680.18

black, 1 set

0.0.680.19

Tri-Lobe Hand Knob Pi, male, D44 M6x20 PA

a = 20 mm m = 22.0 g

grey, 1 set

0.0.680.20

black, 1 set

0.0.680.21

Tri-Lobe Hand Knob Pi, male, D44 M6x25 PA

a = 25 mm m = 23.0 g

grey, 1 set

0.0.680.22

black, 1 set

0.0.680.23

Tri-Lobe Hand Knob Pi, male, D44 M6x30 PA

a = 30 mm m = 24.0 g

grey, 1 set

0.0.680.24

black, 1 set

0.0.680.25

Tri-Lobe Hand Knob Pi, male, D44 M6x35 PA

a = 35 mm m = 25.0 g

grey, 1 set

0.0.680.26

black, 1 set

0.0.680.27

Tri-Lobe Hand Knob Pi, male, D44 M6x40 PA

a = 40 mm m = 26.0 g

grey, 1 set

0.0.680.28

black, 1 set

0.0.680.29

Tri-Lobe Hand Knob Pi, male, D44 M6x45 PA

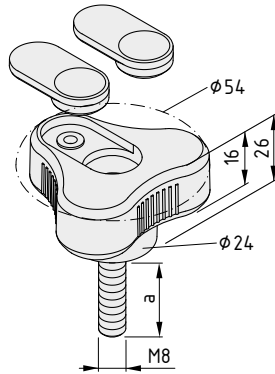
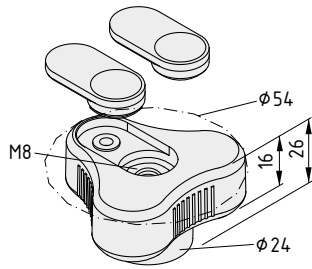
a = 45 mm m = 27.0 g

grey, 1 set

0.0.680.30

black, 1 set

0.0.680.31


Tri-Lobe Hand Knob Pi, female, D54 M8 PA

m = 29.0 g

grey, 1 set

0.0.679.37

black, 1 set

0.0.679.38

Tri-Lobe Hand Knob Pi, male, D54 M8x15 PA

a = 15 mm m = 37.0 g

grey, 1 set

0.0.680.32

black, 1 set

0.0.680.33

Tri-Lobe Hand Knob Pi, male, D54 M8x20 PA

a = 20 mm m = 39.0 g

grey, 1 set

0.0.680.34

black, 1 set

0.0.680.35

Tri-Lobe Hand Knob Pi, male, D54 M8x25 PA

a = 25 mm m = 40.0 g

grey, 1 set

0.0.680.36

black, 1 set

0.0.680.37

Tri-Lobe Hand Knob Pi, male, D54 M8x30 PA

a = 30 mm m = 42.0 g

grey, 1 set

0.0.680.38

black, 1 set

0.0.680.39

Tri-Lobe Hand Knob Pi, male, D54 M8x35 PA

a = 35 mm m = 44.0 g

grey, 1 set

0.0.680.40

black, 1 set

0.0.680.41

Tri-Lobe Hand Knob Pi, male, D54 M8x40 PA

a = 40 mm m = 46.0 g

grey, 1 set

0.0.680.42

black, 1 set

0.0.680.43

Tri-Lobe Hand Knob Pi, male, D54 M8x45 PA

a = 45 mm m = 47.0 g

grey, 1 set

0.0.680.44

black, 1 set

0.0.680.45

Tri-Lobe Hand Knob Pi, male, D54 M8x50 PA

a = 50 mm m = 49.0 g

grey, 1 set

0.0.680.46

black, 1 set

0.0.680.47

Tri-Lobe Hand Knob Pi, male, D54 M8x55 PA

a = 55 mm m = 51.0 g

grey, 1 set

0.0.680.48

black, 1 set

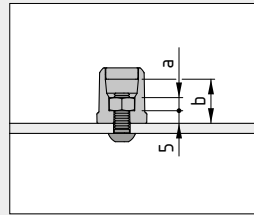
0.0.680.49

Wing Hand Knobs Pi, male and female

When you want to get a lot of power behind a turning or fixing action, a Wing Hand Knob supports excellent torque transfer in a small space. There are two fastening options for the Hand Knobs – a male thread (screw) or female thread (nut).

As with all the grips in the item operating elements Pi range, the Wing Hand Knobs are made of robust, glass-fibre-reinforced polyamide and support a firm, ergonomic gripping action. They are available in two colours and three sizes. Caps in two colours are also included in the scope of supply.

It is important to note the internal geometry of the female Wing Hand Knobs for fixing purposes:



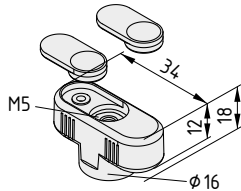
Product	a	b
Wing Hand Knob Pi, female, D34 M5 PA	4.7	15
Wing Hand Knob Pi, female, D44 M6 PA	5.2	18
Wing Hand Knob Pi, female, D54 M8 PA	6.8	21

The following applies to all the products below:

Hand Knob, PA-GF, grey or black with threaded insert, St, bright zinc-plated

Cap, PA-GF, red

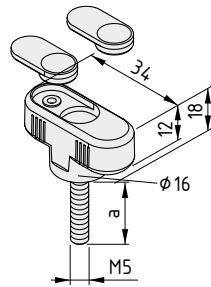
Cap, PA-GF, dark grey



Wing Hand Knob Pi, female, D34 M5 PA

m = 9.0 g

grey, 1 set	0.0.679.27
black, 1 set	0.0.679.28



Wing Hand Knob Pi, male, D34 M5x15 PA

a = 15 mm m = 12.0 g

grey, 1 set	0.0.680.50
black, 1 set	0.0.680.51

Wing Hand Knob Pi, male, D34 M5x20 PA

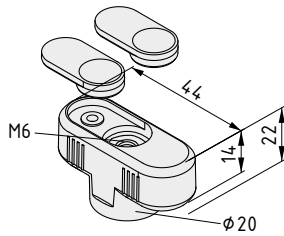
a = 20 mm m = 13.0 g

grey, 1 set	0.0.680.52
black, 1 set	0.0.680.53

Wing Hand Knob Pi, male, D34 M5x25 PA

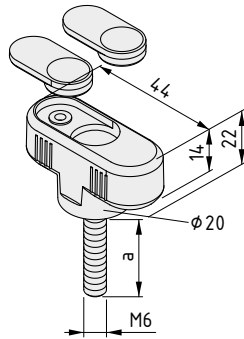
a = 25 mm m = 14.0 g

grey, 1 set	0.0.680.54
black, 1 set	0.0.680.55



Wing Hand Knob Pi, female, D44 M6 PA

m = 15.0 g	
grey, 1 set	0.0.679.29
black, 1 set	0.0.679.30



Wing Hand Knob Pi, male, D44 M6x15 PA

a = 15 mm	m = 19.0 g
grey, 1 set	0.0.680.56
black, 1 set	0.0.680.57

Wing Hand Knob Pi, male, D44 M6x20 PA

a = 20 mm	m = 19.0 g
grey, 1 set	0.0.680.58
black, 1 set	0.0.680.59

Wing Hand Knob Pi, male, D44 M6x25 PA

a = 25 mm	m = 20.0 g
grey, 1 set	0.0.680.60
black, 1 set	0.0.680.61

Wing Hand Knob Pi, male, D44 M6x30 PA

a = 30 mm	m = 21.0 g
grey, 1 set	0.0.680.62
black, 1 set	0.0.680.63

Wing Hand Knob Pi, male, D44 M6x35 PA

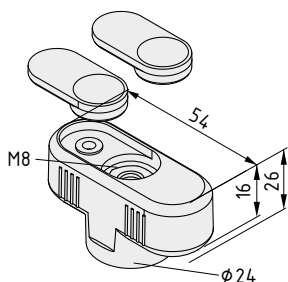
a = 35 mm	m = 22.0 g
grey, 1 set	0.0.680.64
black, 1 set	0.0.680.65

Wing Hand Knob Pi, male, D44 M6x40 PA

a = 40 mm	m = 23.0 g
grey, 1 set	0.0.680.66
black, 1 set	0.0.680.67

Wing Hand Knob Pi, male, D44 M6x45 PA

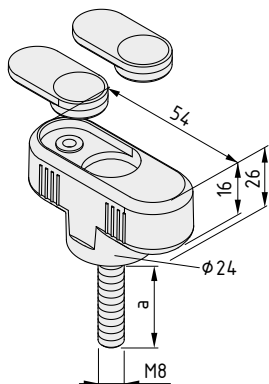
a = 45 mm	m = 24.0 g
grey, 1 set	0.0.680.68
black, 1 set	0.0.680.69



Wing Hand Knob Pi, female, D54 M8 PA

m = 23.0 g

grey, 1 set	0.0.679.31
black, 1 set	0.0.679.32



Wing Hand Knob Pi, male, D54 M8x15 PA

a = 15 mm m = 31.0 g

grey, 1 set	0.0.680.70
black, 1 set	0.0.680.71

Wing Hand Knob Pi, male, D54 M8x20 PA

a = 20 mm m = 33.0 g

grey, 1 set	0.0.680.72
black, 1 set	0.0.680.73

Wing Hand Knob Pi, male, D54 M8x25 PA

a = 25 mm m = 34.0 g

grey, 1 set	0.0.680.74
black, 1 set	0.0.680.75

Wing Hand Knob Pi, male, D54 M8x30 PA

a = 30 mm m = 36.0 g

grey, 1 set	0.0.680.76
black, 1 set	0.0.680.77

Wing Hand Knob Pi, male, D54 M8x35 PA

a = 35 mm m = 38.0 g

grey, 1 set	0.0.680.78
black, 1 set	0.0.680.79

Wing Hand Knob Pi, male, D54 M8x40 PA

a = 40 mm m = 40.0 g

grey, 1 set	0.0.680.80
black, 1 set	0.0.680.81

Wing Hand Knob Pi, male, D54 M8x45 PA

a = 45 mm m = 41.0 g

grey, 1 set	0.0.680.82
black, 1 set	0.0.680.83

Wing Hand Knob Pi, male, D54 M8x50 PA

a = 50 mm m = 43.0 g

grey, 1 set	0.0.680.84
black, 1 set	0.0.680.85

Wing Hand Knob Pi, male, D54 M8x55 PA

a = 55 mm m = 45.0 g

grey, 1 set	0.0.680.86
black, 1 set	0.0.680.87

Lateral thinking.



Fix profiles at a 45° angle fast

No mitre cut necessary

Also suitable for retrofitting supporting braces or trusses

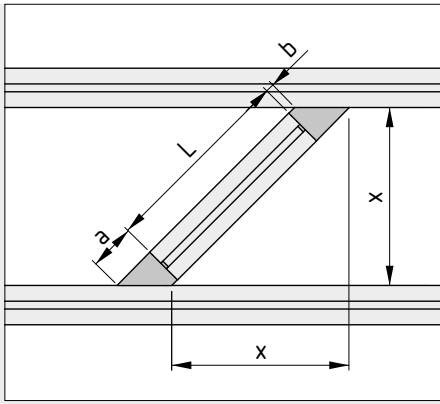
Angle Fastener 8 40x40-45°

The fast route to a stronger hold! Angle Fastener 8 40x40-45° enables you to build supporting braces at a 45° angle in next to no time. Simply screw an Angle Fastener into the core bore at the end face of any Profile 8 40x40, fasten it to the frame and that's it - job done! Retrofitting is also an option and the profiles do not need to be mitred.

Angle Fastener 8 40x40-45° can also be used to build a whole truss.

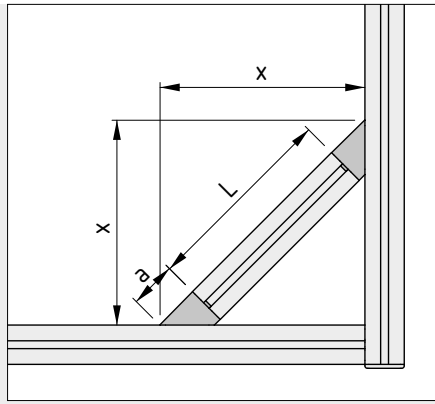
Note: Angle Elements T1 and T2 offer an especially strong solution that can be used to create 45° fixings for wider profiles and Line 6, too.





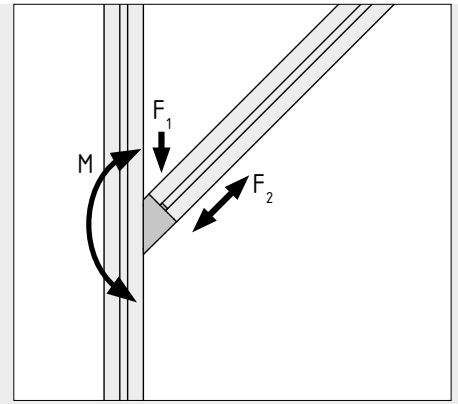
Calculating strut length L:

$$L = \sqrt{2x^2} - (a + b)$$



Calculating strut length L:

$$L = \sqrt{2x^2} - 2a$$

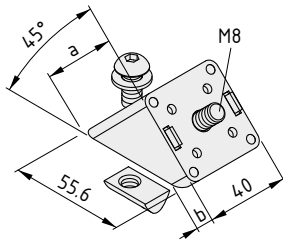


Maximum loading:

F1 = 1000 N

F2 = 2000 N

M = 50 Nm



Angle Fastener 8 40x40-45°



Angle Fastener 8 Zn, die-cast zinc, RAL 9006, white aluminium

2 Button-Head Screws ISO 7380-M8x18, St, bright zinc-plated

2 washers DIN 125-8.4, St, bright zinc-plated

T-Slot Nut 8 St M8, bright zinc-plated

a = 47.3 mm

b = 8.5 mm

m = 180.0 g

1 set

0.0.677.56

A strong piece.

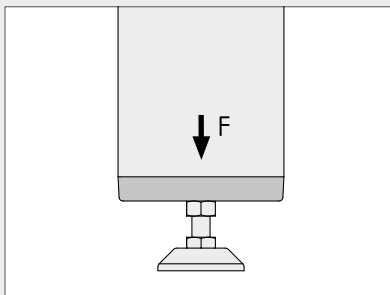
For attaching Adjustable Feet and Castors

Compatible with rounded Profile 8 R40/80-90°

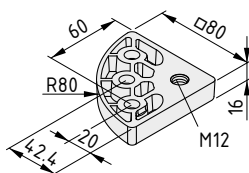
Base Plate/Transport Plate 8 80x80-R80, M12

Curved, but never crooked! Base Plate/Transport Plate 8 80x80-R80, M12 provides a stable footing and evens out height differences on structures that use Profile 8 R40/80-90°. As a result, outer corners can be designed with a gentle curve.

The Base Plate/Transport Plate is screwed into the three core bores of the profile. The M12 bore can accommodate Adjustable Feet or Castors.



Maximum loading:
F = 5000 N



Base Plate/Transport Plate 8 80x80-R80, M12

Die-cast aluminium
m = 146.0 g

white aluminium, similar to RAL 9006, 1 pce.

0.0.677.01



Boost efficiency – with the item Automation System.

Linear Unit LRE 8 D10 80x40 ZS K light

Rack 8 Segment 80 K

Rack 8 End Section K

All geared up.

Rack made from high-strength plastic

Highly secure for vertical movement

Cost-effective solution with low base weight

Straightforward assembly

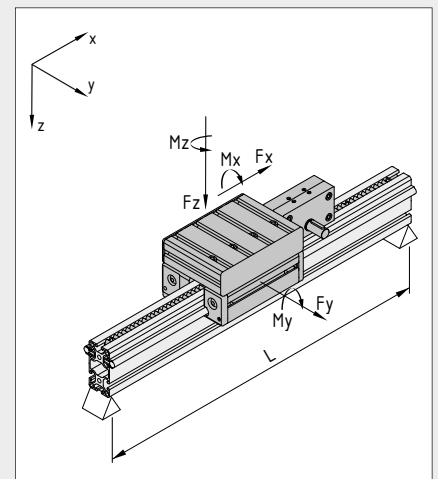
Linear Unit LRE 8 D10 80x40 ZS K light

Extra light and extra strong! Linear Unit LRE 8 D10 80x40 ZS K light uses a rack made of high-strength plastic. As a result, it is ideal for moving medium loads securely and quickly.

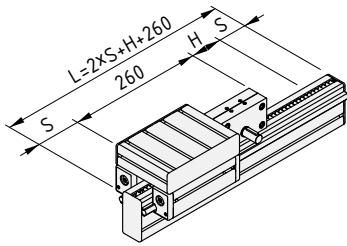
The Linear Unit features a low dead weight and excellent safety for vertical movements. The modular rack is made of fibre-glass reinforced plastic. It is safely concealed in the groove of a Profile 8 light and exhibits high rigidity and low coefficients of friction. The plastic ensures stability, smooth travel and corrosion resistance. The slide runs on a high-strength Double-Bearing Unit and hardened steel Shafts.

The low mass of the Support Profile and rack enable impressive dynamics, even during lifting movements. This combination is also a very economical solution for many tasks. Linear Unit LRE 8 D14 80x40 ZS with a metal rack is available as a rack system for moving larger masses.

Linear Unit LRE 8 D10 80x40 ZS K is supplied ready-to-install in the desired length. The plastic rack can also be ordered separately to build custom solutions.



Support span L_{max} when F_z = max [mm]	Support span L_{max} when F_y = max [mm]	F_y max [N]	F_z max [N]	M_x max [Nm]	M_y max [Nm]	M_z max [Nm]	Operating load F_x max [N]
1600	600	1300	880	22	35	52	350



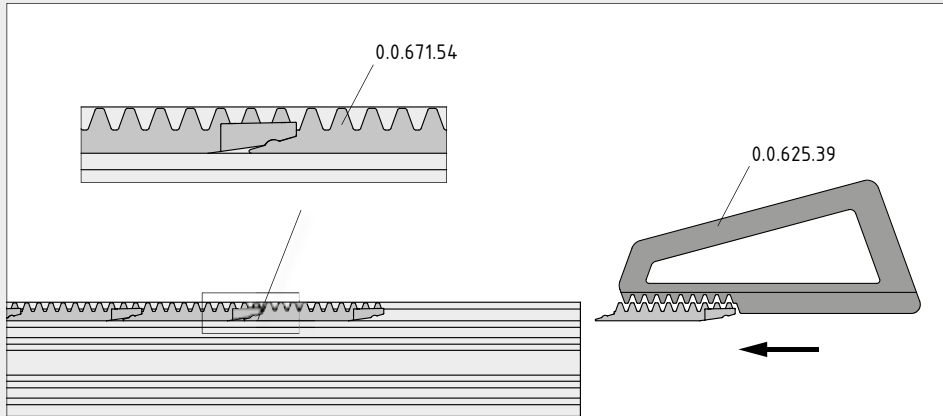
Linear Unit LRE 8 D10 80x40 ZS K light



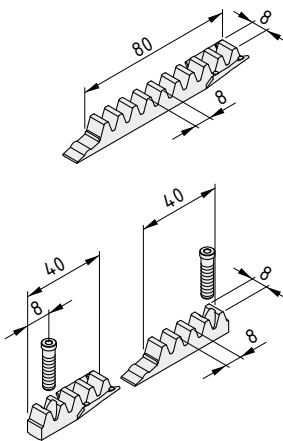
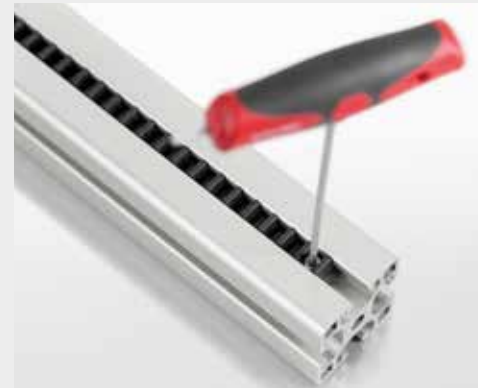
Maximum stroke H_{max}	5678	mm
Safety clearance S	31	mm
Basic mass (when stroke length = 0 mm) m_1	4.4	kg
Mass per mm of stroke m_2	4.8	g/mm
Total mass $m =$	$m_1 + H * m_2$	
Repeat accuracy	0.5	mm
Maximum acceleration	5	m/s^2
Maximum travelling speed	3	m/s
Feed constant	144	mm/rev

1 pce.

0.0.679.91



The plastic segments of the rack are slotted into a Line 8 groove one after another and automatically clip together. The Rack 8 Assembly Tool simplifies installation.



Rack 8 Segment 80 K

Rack Segment, POM-GF
 $m = 8.0$ g

black, 1 pce.

0.0.671.54

Rack 8 End Section K

2 Rack End Sections, POM-GF
 2 dowel screws M5x22, St
 $m = 22.0$ g

black, 1 set

0.0.679.46



Ergonomic production – with the item Work Bench System.

- Monitor Arm, height-adjustable, 4 joints
- Monitor Arm, height-adjustable, 5 joints
- Connecting Cable, Socket / Earthed Plug with earthing lead
- Cable Duct E 160x160 -1200, -1500, -1800
- Conduit Profile U 160x160 SE
- Cable Duct E 160x160 assembly set
- Cable Duct E assembly set



Always at the right height.

For free vertical and horizontal arrangement

Position monitors ergonomically

Customisable balance function

Monitor Arm, height-adjustable, 4 joints Monitor Arm, height-adjustable, 5 joints

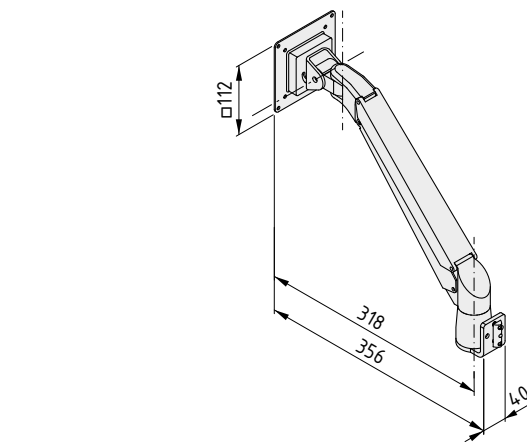
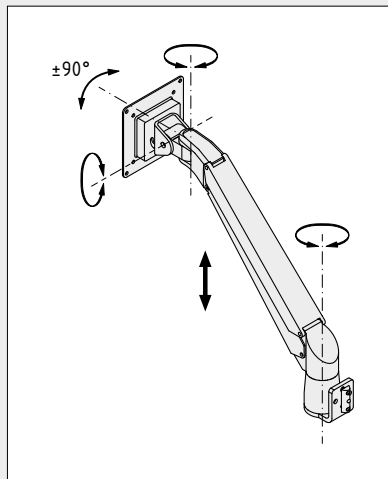
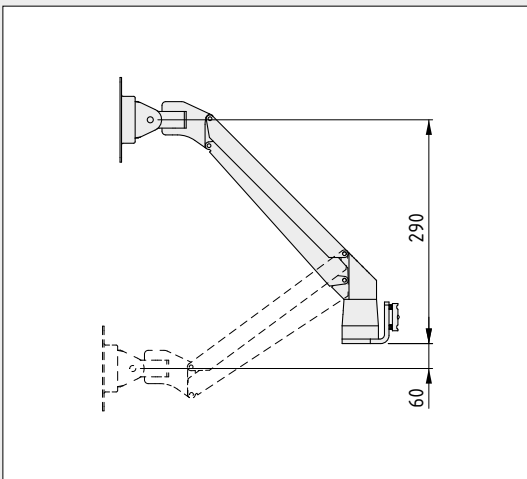
The perfect viewing angle every time! Monitor Arm, height-adjustable, 4 or 5 joints ensures you can always effortlessly position your screen precisely where you want it.

The Monitor Arms can be moved and pivoted in all directions. The five-joint variant also allows users to move their monitor closer or further away. The height-adjustable Monitor Arms are ideal for users in different shapes and sizes and for staff who only need a screen for a short period and prefer to have more clear space for their actual work.

The item Monitor Arms hold flatscreen monitors weighing between 2 and 10 kilograms in the desired position. The standard-compliant VESA connection (VESA 75 and 100) can be removed, fitted to the display and then clipped back into place on the Monitor Arm. There is also a practical pivot function for turning the screen through 90°.

The Arms feature clean cable routing and consistent compatibility with the Line 8 groove.





Monitor Arm, height-adjustable, 4 joints

For monitors weighing between 2 and 10 kg

Adjustable joints

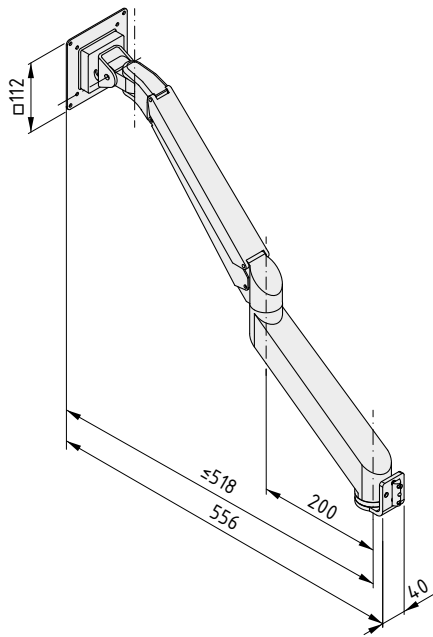
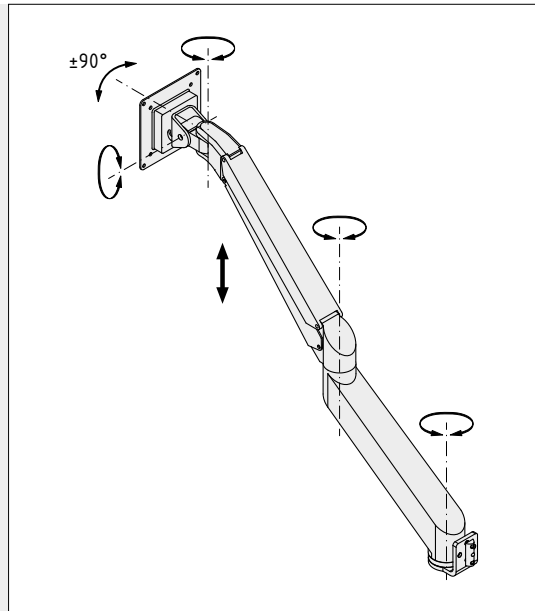
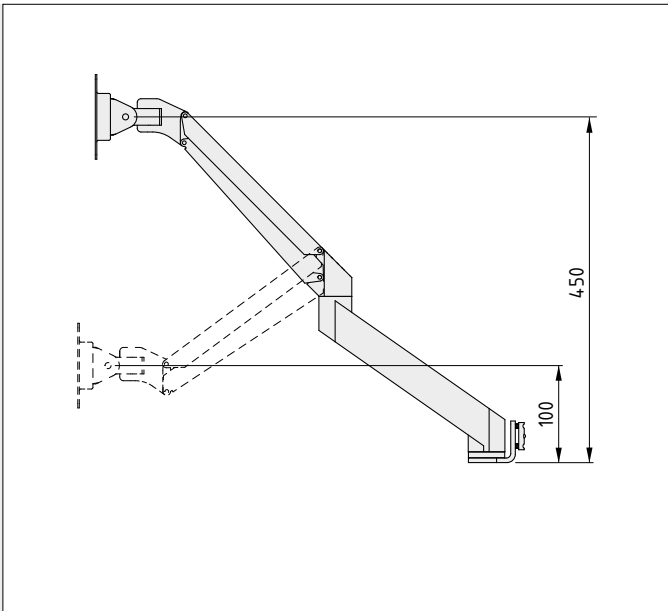
VESA adapter 75-100

Fastening materials

m = 2.1 kg

1 set

0.0.678.76



Monitor Arm, height-adjustable, 5 joints

For monitors weighing between 2 and 10 kg

Adjustable joints

VESA adapter 75-100

Fastening materials

m = 2.7 kg

1 set

0.0.678.77



Firmly grounded.

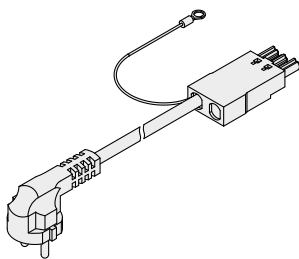
Power supply with additional earthing lead

Compatible with devices featuring a system plug

Connecting Cable, Socket / Earthed Plug with earthing lead

To satisfy the requirements of the DIN VDE 0100 standard in special installation scenarios, the Connecting Cable, Socket / Earthed Plug with earthing lead enables users to create additional earthing via a separate cable with a ring cable lug.

The socket is compatible with the system plugs, particularly Multi-Socket Power Strip, 5 outlet (0.0.627.44) and Distribution Strip (0.0.631.56).



Connecting Cable, Socket / Earthed Plug with earthing lead

Cable length 3 m (1,5 mm²)
 Inside diameter of ring cable lug 6.5 mm
 m = 385.0 g

black, 1 pce.

0.0.677.54



Spacious compartment.

Particularly large cable conduits for work benches

Complete sets, including lid

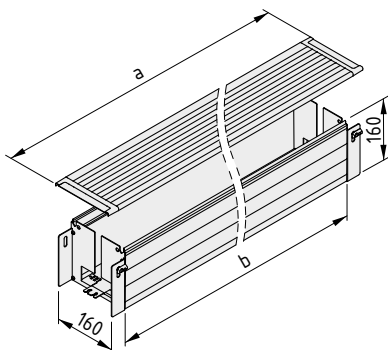
Cable Duct E 160x160

Plenty of space for all cables, plugs and power packs! The generously proportioned Cable Duct E 160x160 keeps everything safely stored at the work bench, away from dust, for a tidy and safe working environment.

Cable ducts E 160x160 are available in the corresponding widths and ready for connection to the item work benches. When combined with Table Uprights K56 that feature an integrated cable conduit, cables can be routed out of sight all the way to the cable duct. Cable Entry Protector, Lid 160 with Sealing Brush can be integrated wherever required, creating a clean, safe outlet for cables at table level.

The following applies to all the sets below:

Conduit Profile U 160x160 SE, Al, anodized
 Support Profile 160, Al, anodized
 2 Cable Entry Protectors 160 with Sealing Brush
 Fastening materials



Cable Duct E 1200-160x160

a = 1,080 mm b = 980 mm m = 5.4 kg

1 set

0.0.678.31

Cable Duct E 1500-160x160

a = 1,380 mm b = 1,280 mm m = 6.8 kg

1 set

0.0.678.32

Cable Duct E 1800-160x160

a = 1,680 mm b = 1,580 mm m = 8.2 kg

1 set

0.0.678.33

Tardis.



For building custom, large cable ducts

Compatible assembly sets for work benches

Conduit Profile U 160x160 SE
Cable Duct E 160x160 assembly set
Cable Duct E assembly set

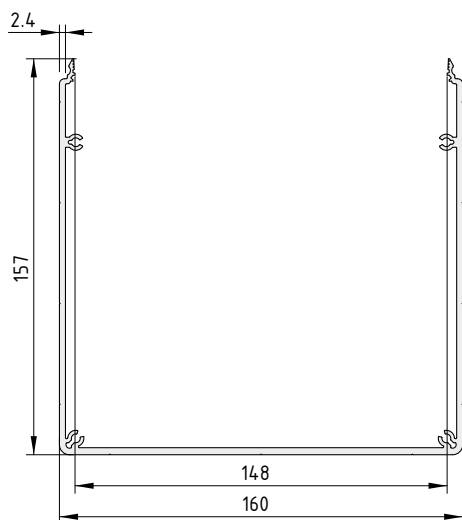
Endless space! Conduit Profile U 160x160 SE is large and offers plenty of space, even for socket strips that have large power packs plugged into them. The custom solution for a tidy workstation!

Using Support Profile 160 (0.0.265.84) as a lid and fitting Cable Entry Protector, Lid 160 with Sealing Brush (0.0.665.12) protects the contents and ensures that cables can be routed to where they are needed.

Conduit Profile U 160x160 SE and Conduit Profile U 160x80 SE can be fitted to panels, walls and Line 8 profiles. The compatible assembly sets are used to connect the Cable Conduits to standalone benches, for example. They support a strain relief system and can accommodate Flexible Conduit E (0.0.635.75), which ensures cables can be guided safely to the floor.

Just as deep but not as tall: Conduit Profile U 160x80 SE and Cable Duct E 160x80 assembly set can be used to construct generous cable ducts that are flatter than those using Conduit Profile U 160x160 SE.

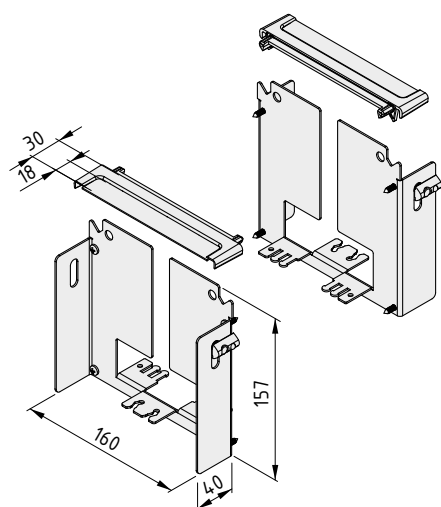




Conduit Profile U 160x160 SE

Al, anodized

A [cm ²]	m [kg/m]
12.63	3.40
natural, cut-off max. 3000 mm	0.0.676.64
natural, 1 pce., length 3000 mm	0.0.676.63



Cable Duct E 160x160 assembly set

Caps 160x160 KW, St, white aluminium

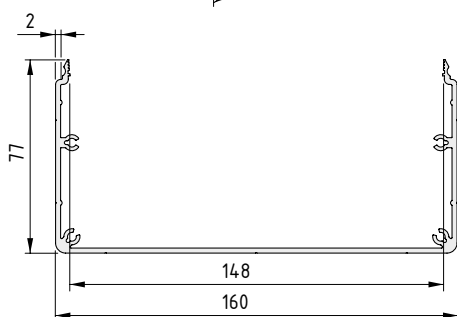
Cable Entry Protector 160 with Sealing Brush, PA

Fastening materials

m = 821.0 g

1 set

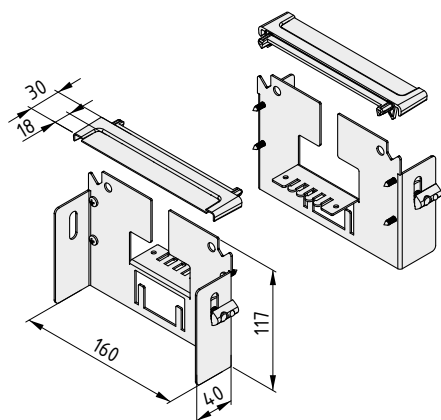
0.0.677.88



Conduit Profile U 160x80 SE

Al, anodized

A [cm ²]	m [kg/m]
5.98	1.95
natural, cut-off max. 3000 mm	0.0.630.72
natural, 1 pce., length 3000 mm	0.0.630.71



Cable Duct E assembly set

Caps 160x80 KW, St, white aluminium

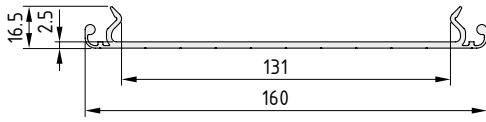
Cable Entry Protector 160 with Sealing Brush, PA

Fastening materials

m = 621.0 g

1 set

0.0.636.67



Support Profile 160



Al, anodized

A [cm²] m [kg/m]

4.73 1.27

natural, cut-off max. 3000 mm

0.0.265.84

natural, 1 pce., length 3000 mm

0.0.453.57



Build lean – with the Lean Production Building Kit System.

Conveyor Rollers TR30

Telescope Clamp D40/D30

Plain Bearing D40/D30-50 ESD

Fastener D30, internal

Panel-Fixing Strip D30

Drawbar D25-610

Drawbar Coupling D25-30

Container Profile D30

Monitor Mounting Joint D30 VESA 75-100

Threaded Insert, Profile Tube D30 AI and D40 AI

Bracket 8 D30 T2

Tube D30 and Profile Tube 8 D30

Roller Conveyor St 60, End Cap

Brake D11 and D15

Adapter D30/D28.6



Broad support.

Tool-free installation of Conveyor Rollers

Aluminium or plastic rollers

Lines in custom widths and lengths



Conveyor Rollers TR30

Plan conveyor lines to suit requirements, install them on site quickly and modify them whenever necessary! The item solution for transport roller conveyors ensures you can make the most of all the benefits offered by the Lean Production Building Kit System to get crates and goods from A to B easily.

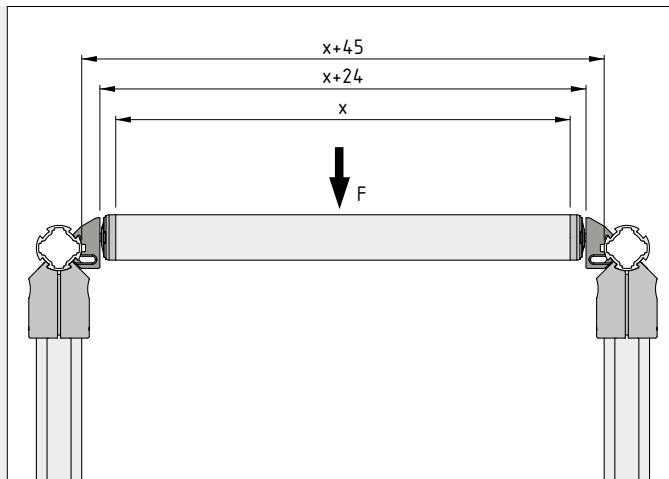
The solution is based on Bearing Block D30 100 D5-33 and Conveyor Roller TR30, Bearing Flange D27/D5. The Bearing Block clips directly onto a Profile Tube D30 without requiring any tools and can be used to install up to three Conveyor Rollers. The Bearing Flange transforms any Tube D30 into a conveyor roller. As a result, you can build transport roller conveyors in custom lengths and widths for a whole range of moving goods with just a few parts and in a very short space of time.

The stable Bearing Block does not need to be screwed into place – except when working with the ESD-safe Conveyor Roller TR30, Bearing Flange D27/D5 ESD, because the screw in the Bearing Block creates the conductive contact with the Tube.

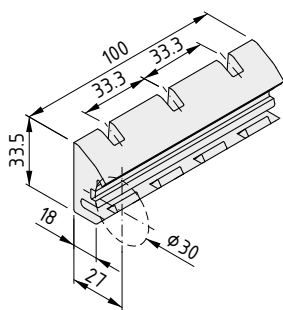
Conveyor Roller TR30, Bearing Flange D27/D5 features a high load-carrying capacity and a very smooth running action. Two strong deep groove steel ball bearings ensure a long service life. The bearing set is simply pressed into the Tube D30. The stable aluminium Tube exhibits low profile deflection and is ideal for building wide roller conveyors.

For gentle, scratch-free transport, conveyor rollers can be made from plastic Tube D30x1.8 KU. Due to the thicker walls that are required on a plastic tube, Conveyor Roller TR30, Bearing Flange D26.4/D5 has to be used.





X_{\max} Al = 600 mm
 X_{\min} Al = 55 mm
 X_{\max} KU = 400 mm
 X_{\min} KU = 55 mm
 F for aluminium = 100 N
 F for plastic (KU) = 50 N



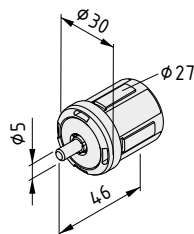
Bearing Block D30 100 D5-33

PA
 m = 33.0 g
 grey similar to RAL 7042, 1 pce. 0.0.671.52

Bearing Block D30 100 D5-33 ESD



PA
 m = 33.0 g
 black similar to RAL 9005, 1 pce. 0.0.671.99



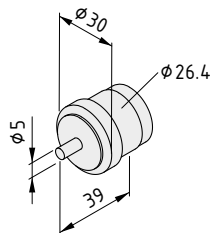
Conveyor Roller TR30, Bearing Flange D27/D5

PA
 2 deep groove ball bearings
 Axle bearing flange 5, St, bright zinc-plated
 Conveyor roller TR30 - cap
 m = 62.0 g
 1 pce. 0.0.673.67

Conveyor Roller TR30, Bearing Flange D27/D5 ESD

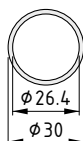


PA
 2 deep groove ball bearings
 Axle bearing flange 5, St, bright zinc-plated
 Conveyor roller TR30 - cap
 m = 64.0 g
 1 pce. 0.0.675.58



Conveyor Roller TR30, Bearing Flange D26.4/D5

m = 32.0 g
 grey similar to RAL 7042, 1 pce. 0.0.674.94



Tube D30x1.8 KU

PVC

m [kg/m]	I_x [cm ⁴]	I_y [cm ⁴]	I_z [cm ⁴]	W_x [cm ³]	W_y [cm ³]
0.22	1.59	1.59	3.18	1.06	1.06

grey similar to RAL 7042, cut-off max. 6000 mm 0.0.675.02
 grey similar to RAL 7042, 1 pce., length 6000 mm 0.0.675.01

Length advantage.

For pull-out profiles

Easy length adjustment

Clamp lever for firm hold



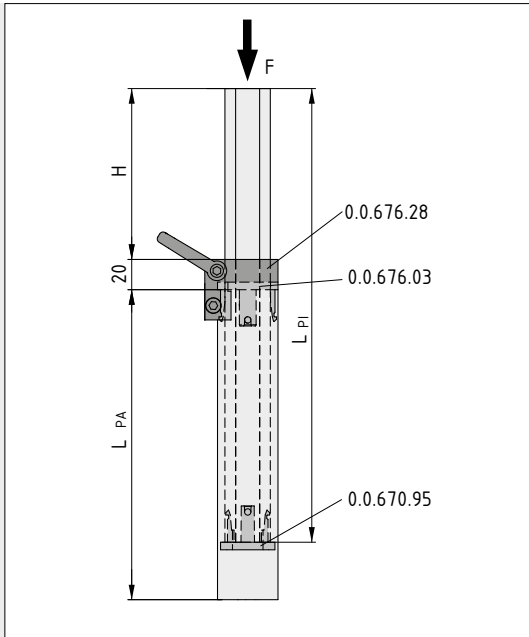
Telescope Clamp D40/D30

The specialist solution for finding the perfect spacing! Telescope Clamp D40/D30 fixes the internal Profile Tube D30 of a telescope at the desired position. This enables users to adjust the gradient or height of e.g. accessories as required.

Thanks to the clamp lever, the length of the profile can be altered at any time, without any need for tools. Telescopic solutions can also be used to build adjustable and fold-away elements.

Plain Bearing Sleeve D30/D20 ESD ensures that a Profile Tube D30 will slide smoothly inside a Profile Tube D40/30. This makes it ideal for building retractable telescopic solutions.

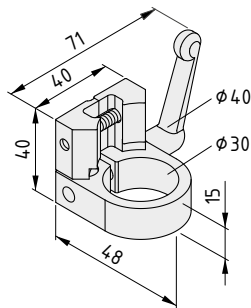




To create a pull-out telescopic solution, push Plain Bearing Sleeve D30/D20 ESD into the end face of a Profile Tube D30. The low-friction plastic ring ensures the Profile Tube D30 moves inside a Profile Tube D40/30. Plain Bearing Sleeve D40/D30 ESD (0.0.676.03) on the opposite end provides reliable guidance for the telescopic profile. Telescope Clamp D40/30 fixes the retractable Tube in place.

Please factor in the torque that a long lever element can generate in a construction.

- F = 500 N
- LPA = Length of external profile
- $LPA_{min} = H + 100 \text{ mm}$
- LPI = Length of internal profile
- $LPI_{min} = H + 120 \text{ mm}$
- H = Travel
- $H_{max} = 2/3 \times LPA$

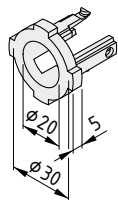


Telescope Clamp D40/D30

- Telescope clamp ring D40/D30, die-cast aluminium
- Telescope clamping device D40/D30, die-cast aluminium
- Clamp lever 45-M6, St
- Threaded cross dowel M6, St, bright zinc-plated
- Hexagon Socket Head Cap Screw M6x32, St, bright zinc-plated
- Washer, St, bright zinc-plated
- m = 70.0 g

1 pce.

0.0.676.28



Plain Bearing Sleeve D30/D20 ESD



- POM
- m = 6.0 g
- black, 1 pce.

0.0.670.95

Like running on rails.



Stops the moving Plain Bearing from rotating

Reliable longitudinal movement

For LCA/Karakuri applications

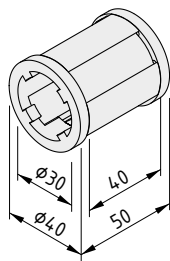
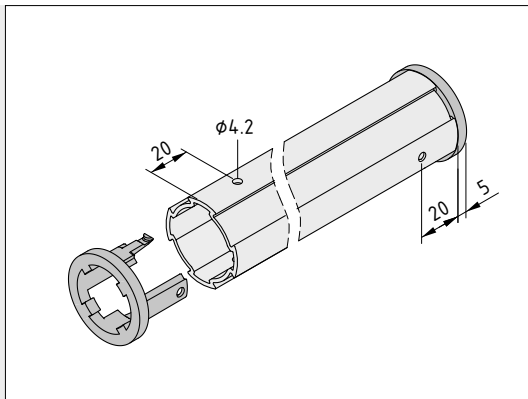


Plain Bearing D40/D30-50 ESD with anti-torsion feature

It keeps everything on track! Plain Bearing Sleeve D40/D30 ESD with anti-torsion feature allows you to guide a Profile Tube D40/30 accurately along a Profile Tube D30 and Profile 6 D30. These Plain Bearing Sleeves use the grooves to prevent rotation around the longitudinal axis of the guide profile. As a result, the moving components in an LCA/Karakuri application glide along the support profile and keep the same orientation, thanks to the anti-torsion feature. This makes it easier to guide counterweights in Karakuri applications without risking any rotation around the guide profile.

Plain Bearing D40/D30-50 ESD with anti-torsion feature is available as a complete set in a length of 50 mm. The separate components can be used to build custom bearings in the desired length so as to achieve ideal guidance characteristics.

Note: Unlike the variant with an anti-torsion feature, Plain Bearing Sleeves D40/D30 ESD (0.0.665.63) also permit rotary movements.



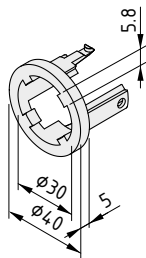
Plain Bearing D40/D30-50 ESD with anti-torsion feature



2 Plain Bearing Sleeves D40/D30 ESD
 Profile Tube D40/D30, 40 mm, Al, anodized
 m = 40.0 g

1 pce.

0.0.676.25



Plain Bearing Sleeve D40/D30 ESD with anti-torsion feature



POM
 m = 7.0 g

black, 1 pce.

0.0.676.03

Holding it all in.



Flush transition between tube and fastener

Retrofit struts to existing constructions

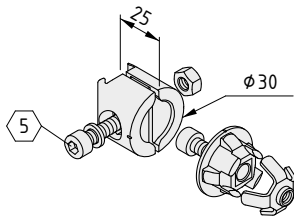
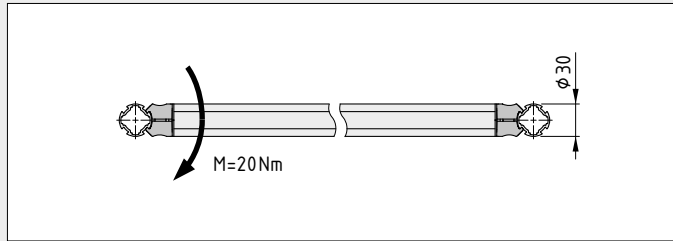
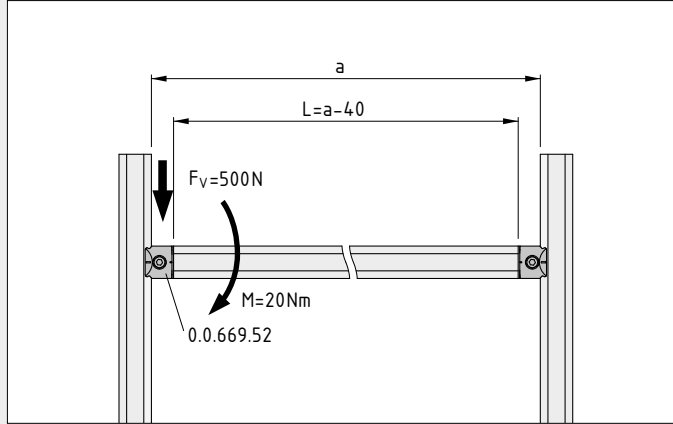
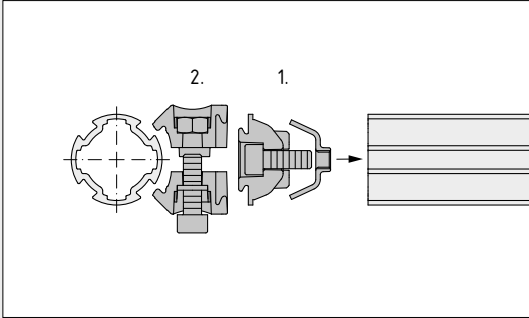
Fastener D30, internal

This is how you gain those all-important extra millimetres! Fastener D30, internal is contained mostly within the (Profile) Tube and creates a level 90° connection. That saves space, because, for example, the fastening bracket for a roller conveyor can then be fitted directly to the vertical strut on a frame. What's more, panels can be fitted flush to a frame without any need for cut-outs in the corners.

The flush connection between Fastener D30, internal and a (Profile) Tube also enhances the look of a construction.

Cap D30 R15 holds the nut of Fastener D30, internal captive in the fastener half and stops dust and dirt accumulating in the depression.





Fastener D30, internal

2 internal Fastener D30 clamping jaws, die-cast Al, natural
 Internal Fastener D30 tube insert, die-cast Al, natural
 Internal Fastener D30 claw, St, natural
 Hexagon Socket Head Cap Screw DIN 912-M6x20, St, bright zinc-plated
 Hexagon Socket Head Cap Screw DIN 912-M6x16, St, bright zinc-plated
 Hexagon nut DIN 934 M6-5, St, bright zinc-plated
 Washer, St, bright zinc-plated
 M = 10 Nm m = 59.0 g

1 set

0.0.669.52



Cap D30 R15

PA-GB
 m = 0.2 g

grey similar to RAL 7042, 1 pce.

0.0.675.13

Von Lean Production Baukästen
Verschwendung reduzieren, um Wettbewerbsfähigkeit zu steigern

Divide and contain.

Two-part fixing for panel elements

Straightforward assembly

A firm hold without any screws

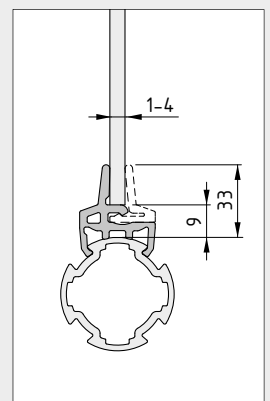
Panel-Fixing Strips D30

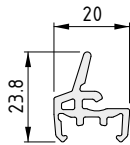
For no-fuss panel fixing! To make it easier to assemble panels, Panel-Fixing Strip D30 comprises two parts. The main element of the Panel-Fixing Strip is clipped onto the Profile Tube D30. The panel element is then easily inserted into position. Panel-Fixing Strip D30 1-4mm is then pressed in at the side as the second element. The rattle-free panel fixing is then complete!

Panel-Fixing Strip D30 creates an all-round, virtually sealed fixing for panels in a thickness between 1 and 4 mm. The plastic prevents direct contact between the panel elements and the supporting profile. This helps to lower noise levels.

The Panel-Fixing Strips can be cut to size using the item Multi-Purpose Pliers.

The first time they are used, Panel-Fixing Strip D30 and Panel-Fixing Strip D30 1-4mm should be ordered together in identical quantities. They can then be ordered separately as spare parts.





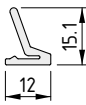
Panel-Fixing Strip D30

PE-HD

m = 119 g/m

grey similar to RAL 7042, 1 pce., length 3000 mm

0.0.675.37



Panel-Fixing Strip D30 1-4mm

PE-HD

m = 48 g/m

grey similar to RAL 7042, 1 pce., length 3000 mm

0.0.675.38



Drawbar D25-610

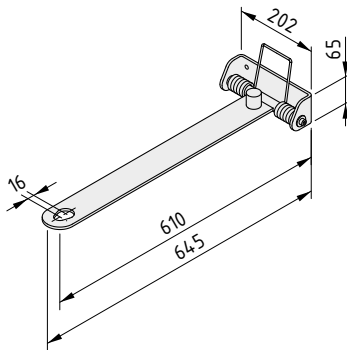
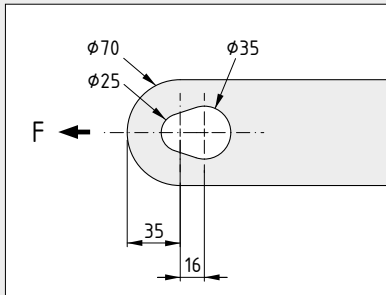
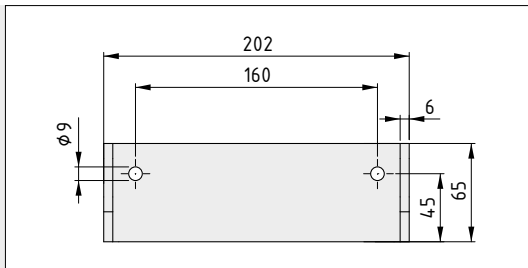
The easier way to pull lightweight trolleys! Thanks to its low dead weight, Drawbar D25-610 is ideal for transport trolleys and tugger trains that are also light in weight. Even when uncoupled, the trolley will not tip.

The ergonomic self-lifting mechanism on Drawbar D25-610 is easy on the back. Its integrated spring pushes the Drawbar up, which means users can couple and uncouple trolleys using their feet and without having to bend over. If the Drawbar is not needed, it folds up automatically so that it doesn't present a trip hazard.

The compatible Drawbar Coupling D25-30 completes the system so that several transport trolleys can be securely interconnected.

Note: Ensure the correct combination of Drawbar and Coupling are used. When using the larger Drawbar D25-686, you must also use the corresponding Drawbar Coupling D25-74, because the pin of Coupling D25-30 is located at a different working height.



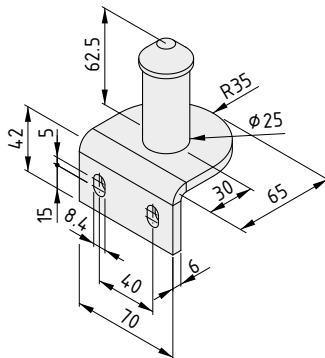


Drawbar D25-610

Drawbar D25-610, St, bright zinc-plated
Impact Buffer M8 D30x30
m = 3.6 kg

1 pce.

0.0.674.29



Drawbar Coupling D25-30

St
m = 514.0 g

1 pce.

0.0.674.28

Supply and demand.

For semi-open fronted boxes with mounting lugs

Ergonomic removal with two angles

Includes Line 8 groove as a universal fastening for accessories

Container Profile D30

Helping you keep all your small parts in reach! The versatile Container Profile D30 is used to organise semi-open fronted boxes with mounting lugs. Thanks to two different edge thicknesses, a Line 8 groove and the option of mounting it in two different angles, Container Profile D30 is well prepared for all purposes and systems.

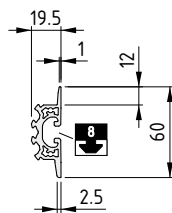
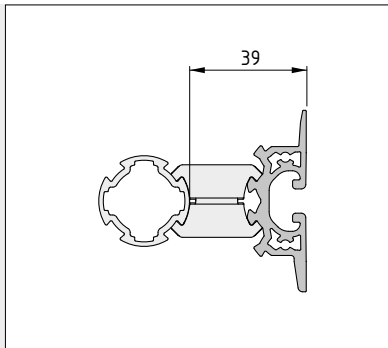
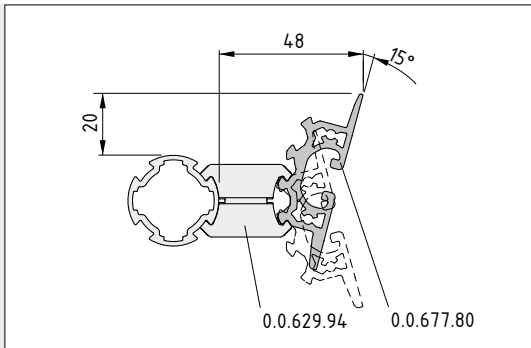
In manual production, screws, nuts and other small parts are stored in semi-open fronted boxes from a wide range of suppliers. Using their mounting lugs, these containers can simply be hung on the Container Profile and then removed again as necessary. The aluminium edges ensure a secure hold. Containers of C-parts can thus be moved around securely in transport trolleys.

To ensure small parts can be picked ergonomically, Container Profile D30 can be installed at a 90° angle or with a 15° incline. The profile is connected at the rear, e.g. using a space-saving Transverse Fastener D30.

The groove on the front is best used for accommodating item Parts Containers, Grab Containers and other accessories.

Cap Set, Container Profile D30 seals off the end face of the profile cleanly and safely.





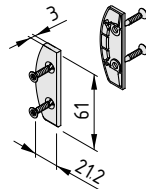
Container Profile D30

Al, anodized

m [kg/m]	I _x [cm ⁴]	I _y [cm ⁴]	I _z [cm ⁴]	W _x [cm ³]	W _y [cm ³]
1.02	7.57	1.33	0.43	2.44	1.16
natural, cut-off max. 3000 mm					
natural, 1 pce., length 3000 mm					

0.0.677.80

0.0.676.58



Cap Set, Container Profile D30

2 Caps, Container Profile D30, PA-GB

4 Countersunk Screws self-tapping 3.9x16 TX20, St, bright zinc-plated

m = 11.0 g

grey similar to RAL 7042, 1 set

0.0.681.30

At first glance.

Two pivotable axes

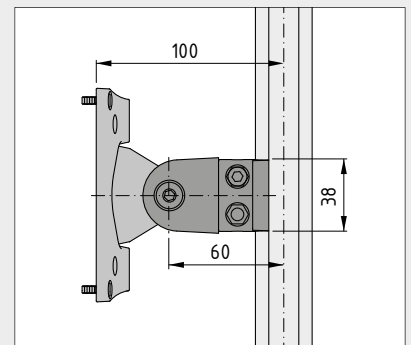
For flatscreen monitors with a VESA mounting

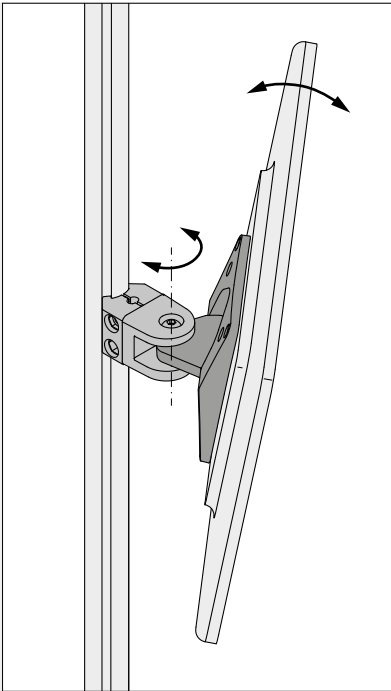
Connects directly to the Profile Tube

Monitor Mounting Joint D30 VESA 75-100

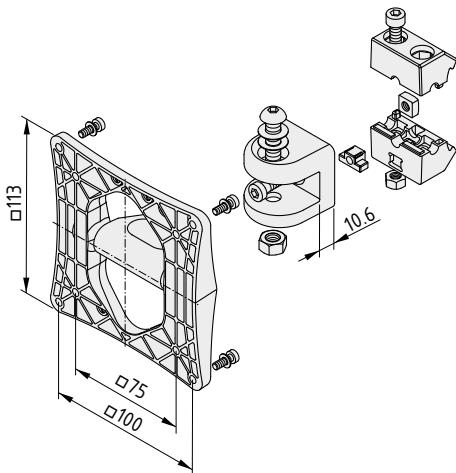
The best hold for the best view! Monitor Mounting Joint D30 VESA 75-100 is used to secure flatscreen monitors directly to Profile Tubes D30. As a result, displays can be used on racks and work benches.

To make displays easier to read, the joint can be pivoted in two directions, meaning the monitor can be turned and inclined. The integrated adapter corresponds to the VESA 75 and 100 standards.





Monitor Mounting Joint D30 VESA 75-100 features two independent joints. As a result, it can be used to pivot the screen to the side and tip it to find the right viewing angle.



Monitor Mounting Joint D30 VESA 75-100

Monitor Adapter 8 pivotable, VESA plate, black
 2 Multiblock clamp halves, GD-Al
 Fastening materials
 m = 289.0 g

1 set

0.0.671.22

Every end is a beginning.



Strong aluminium Inserts

For Profile Tubes with D30 and D40 diameters

Also for threads with a custom diameter

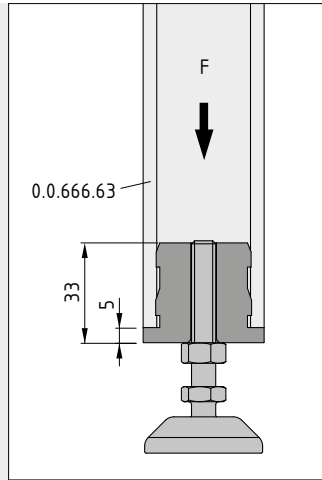
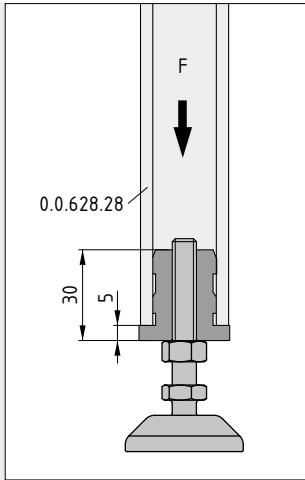
Threaded Inserts, Profile Tubes

More holding force for the end faces of Profile Tubes! Threaded Inserts, Profile Tube D30 AI and Threaded Inserts, Profile Tube D40 AI are made of aluminium and are ESD-safe as standard. They assume an especially strong connection with the Profile Tubes. The threads can be used to fit Adjustable Feet, Castors and other accessories.

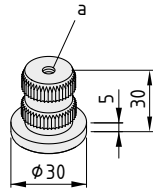
Custom threads can be tapped into them for special dimensions larger than M10.

Threaded Inserts, Profile Tube D40 AI can be used to attach accessories to moving LCA/Karakuri components.





$F_{max} = 2000 \text{ N}$



Threaded Insert, Profile Tube D30 M6 Al

Al
a = M6 M = 12 Nm m = 30.0 g

natural, 1 pce.

0.0.675.16

Threaded Insert, Profile Tube D30 M8 Al

Al
a = M8 M = 16 Nm m = 29.0 g

natural, 1 pce.

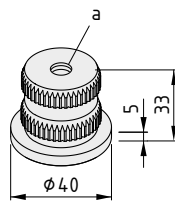
0.0.675.17

Threaded Insert, Profile Tube D30 M10 Al

Al
a = M10 M = 20 Nm m = 27.0 g

natural, 1 pce.

0.0.675.18



Threaded Insert, Profile Tube D40 M8 Al

Al
a = M8 M = 16 Nm m = 73.0 g

natural, 1 pce.

0.0.673.71

Threaded Insert, Profile Tube D40 M10 Al

Al
a = M10 M = 20 Nm m = 71.0 g

natural, 1 pce.

0.0.673.68

Half bracket, full hold.

Space-saving connection

Can be fastened close to the profile end

Bracket with just one wing

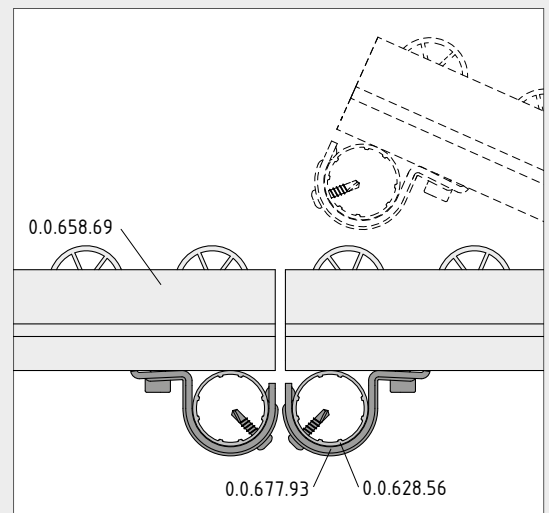


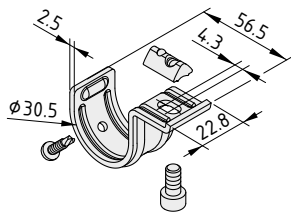
Bracket 6 D30 T2
Bracket 8 D30 T2

Best hold despite being half the length! Brackets D30 T2 connect profiles with a Line 6 or 8 groove with a Tube D30 or Profile Tube D30 that is running underneath them at a right angle. Unlike Bracket D30, the connection can also be made close to the end of the profile. Thanks to a shortened geometry with just one wing, only one T-Slot Nut is needed. The enclosed self-tapping screw provides additional hold.

The flat, torsion-resistant Brackets D30 T2 are ideal for fixing Roller Conveyor 6 40x40 E D30 and/or Roller Conveyor 8 / Castor Rail 8 40x40 directly to a structure built using Tubes D30. However, it also offers a space-saving fixing for other components and profiles with a Line 6 or 8 groove.

Thanks to their compact dimensions, Brackets D30 T2 are the ideal product for Karakuri applications, when components move past each other in the tightest of spaces.





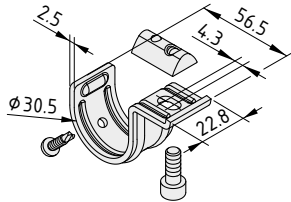
Bracket 6 D30 T2



Bracket, St, bright zinc-plated
 T-Slot Nut 6 St M6, St, bright zinc-plated
 Hexagon Socket Head Cap Screw DIN 912 M6x12, St, bright zinc-plated
 m = 60.0 g

1 set

0.0.677.94



Bracket 8 D30 T2



Bracket, St, bright zinc-plated
 T-Slot Nut 8 St M6, St, bright zinc-plated
 Hexagon Socket Head Cap Screw DIN 912 M6x12, St, bright zinc-plated
 m = 67.0 g

1 set

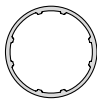
0.0.677.93



Tube D30

Easier to transport and store: You can now order Tube D30 and Profile Tube 8 D30 in 3000 mm lengths without ordering cut-offs. The new dimension is ideal for internal goods supply to the CIP workshop, particularly when a lift has to be used.

You can still order Tubes D30 and Profile Tubes 8 D30 in custom cut-offs and in 6000 mm lengths. Profile Tube D30 has been available in 3000 mm lengths for some time (0.0.660.44).



Tube D30

Al, anodized

A [cm ²]	m [kg/m]	I _x [cm ⁴]	I _y [cm ⁴]	I _z [cm ⁴]	W _x [cm ³]	W _y [cm ³]
1.26	0.34	1.29	1.29	2.44	0.86	0.86
natural, cut-off max. 6000 mm						0.0.628.56
natural, 1 pce., length 6000 mm						0.0.628.52
natural, 1 pce., length 3000 mm						0.0.678.19



Profile Tube 8 D30



Profile Tube 8 D30



Al, anodized

A [cm ²]	m [kg/m]	I _x [cm ⁴]	I _y [cm ⁴]	I _z [cm ⁴]	W _x [cm ³]	W _y [cm ³]
2.75	0.75	1.20	2.32	0.76	0.91	1.55
natural, cut-off max. 6000 mm						0.0.663.94
natural, 1 pce., length 6000 mm						0.0.663.93
natural, 1 pce., length 3000 mm						0.0.678.20

Safe and sound.



Reliable covering for cut edges

Leaves plenty of space for the Fastening Profile

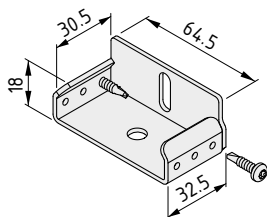


Roller Conveyor St 60, End Cap

Protection from the start! Roller Conveyor St 60, End Cap seals the end face of Roller Conveyor St 60 and covers over sharp cut edges. The End Cap is simply pushed on and secured at the side with self-tapping screws. The slot on the end face ensures that the roller conveyor can be secured to a cross profile comprising a Line 6 or 8 profile.

Compact Roller Conveyor St 60, End Cap leaves plenty of space for Fastening Profile D30-60, so that optimum use can be made of the integrated groove geometry.

Roller Conveyor St 60, End Cap helps lower the risk of injury and cut out the time-consuming process of deburring cut edges.



Roller Conveyor St 60, End Cap



St, bright zinc-plated
2 Button-Head Screws, self-tapping St, 3.9x16, TX20, bright zinc-plated
m = 71.0 g

1 set

0.0.677.02

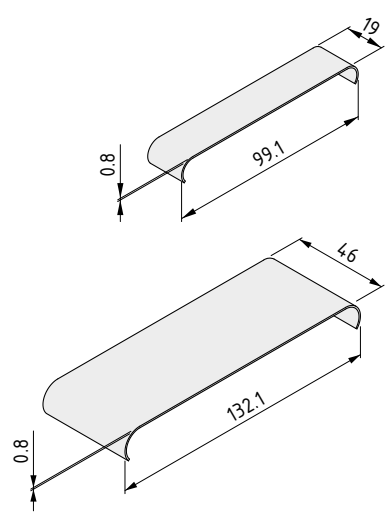


End of the line.

For roller conveyors using Rollers D11 and D15

Roller Conveyor 6 40x40 E D30 D11 Brake
Roller Conveyor St 60x24 D15 Brake

Stop, please! The Brakes for roller conveyors that use Rollers D11 and D15 slow down crates and transported goods at the desired point. The robust steel clips are fitted over the rollers.



Roller Conveyor 6 40x40 E D30 D11 Brake	
St	
m = 14.0 g	
stainless, 1 pce.	0.0.677.70
Roller Conveyor St 60x24 D15 Brake	
St	
m = 44.0 g	
stainless, 1 pce.	0.0.677.62



Home at last.

A secure hold for tubes in a diameter of 28.6 mm

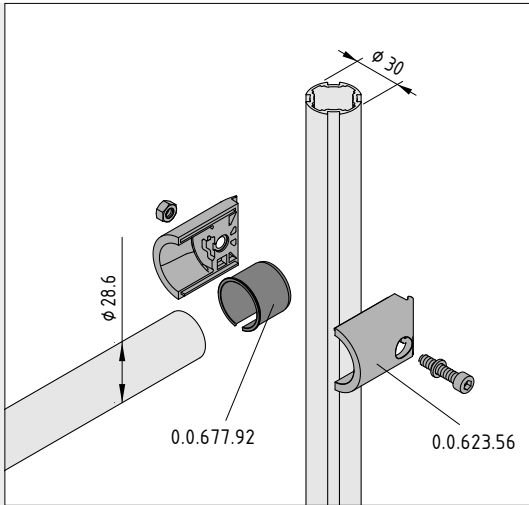
Available in two lengths

Adapter D30/D28.6

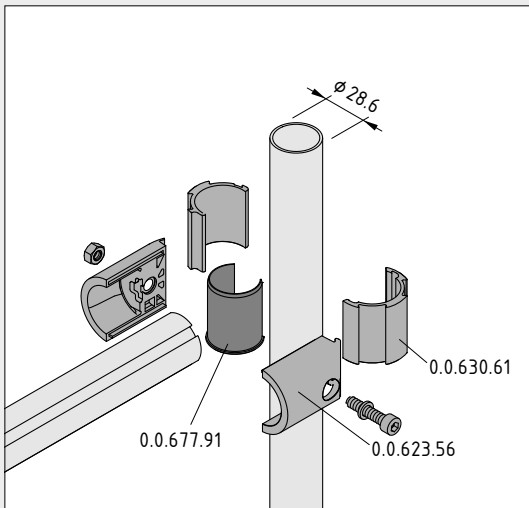
Helps when those all-important last few millimetres are missing! Thanks to Adapter D30/D28.6, you can combine existing constructions with Profile Tube System D30.

The Adapters are available in lengths of 25 and 37 mm. As a result, old steel tubes with plastic sheathing can also be held securely in place with the state-of-the-art die-cast aluminium fastening technology from Profile Tube System D30.

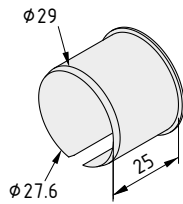
Note: Please note the load limits, which – due to the system being used – are lower than when using Fastener D30 with (Profile) Tube D30.



To connect an existing Tube $\phi 28.6$ to an item Profile Tube D30, simply insert Adapter D30/D28.6-25 into an item Fastener D30 and the connection will hold!



When using Adapter D30/D28.6-37, it couldn't be easier to make the transition to a whole new dimension. Simply attach the Adapter to the tube ($\phi 28.6$ mm), place a Tube Adapter D30 over it and the way is clear for extending your old structure using the innovative Profile Tube System D30.



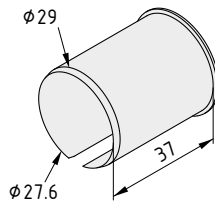
Adapter D30/D28.6-25

PA

m = 2.0 g

grey similar to RAL 7042, 1 pce.

0.0.677.92



Adapter D30/D28.6-37

PA

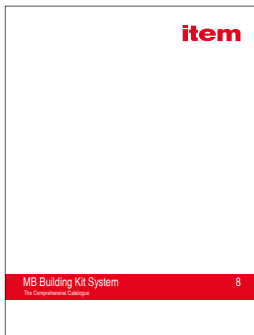
m = 3.0 g

grey similar to RAL 7042, 1 pce.

0.0.677.91

Other item product catalogues.

MB Building Kit System



item24.de/en/epaper-mb

Line XMS



item24.de/en/epaper-xm

Work Bench System



item24.de/en/epaper-wbs

Lean Production Building Kit System



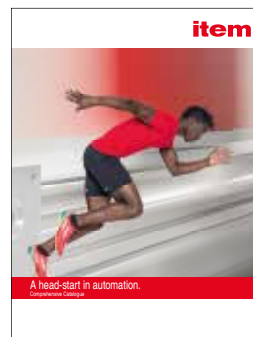
item24.de/en/epaper-lp

Stairway/Platform System



item24.de/en/epaper-tp

Automation System



item24.de/en/epaper-au



All the information you need at your fingertips

item product catalogues are available online as clearly laid out and convenient e-papers. Take your pick and get browsing!



Stay in the loop, even when you're offline.

Simple planning without the Internet: item ikasys provides all the product information you need, including installation guides and CAD data, on a DVD.

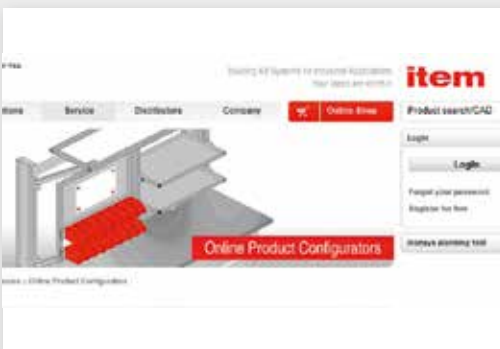
Your head-start for know-how – the item online portfolio.



Service and information around the clock – item24.com.

item is always there for you! You can find all the product information you could need on the item website – including CAD data. You will also discover the very latest news and a whole range of example applications. Complete parts lists and 3D PDFs provide the ideal basis for your own planning. What's more, you can access an entire media library, discover service offerings and get in touch with item – all at the click of a mouse.

item24.com



Plan fast and make the right decisions – the item online tools.

You can count on us! The item Online Product Configurators and online tools such as the Deflection Calculator for profiles will save you a lot of time. State-of-the-art planning aids for work benches and SystemMobiles make it much easier for you to configure the perfect bespoke solution. When it comes to automation, you can track down the ideal Linear Unit using the Product Finder for linear technology. And the Query Assistant is ideal for helping you plan stairways and platforms with ease.

item24.de/en/configurators



See how it's done – with item on YouTube.

They say a picture is worth more than 1000 words. So – at 25 images per second – you can imagine just how informative the item videos are. You can find assembly tips and useful information, all packaged up in moving images, on YouTube. Specialists also answer frequently asked questions relating to issues such as ergonomics and lean production. Tune in to the item channel and make the most of our comprehensive catalogue of videos.

youtube.com/item24com

Alphabetical Register.

A

Adapter D30/D28.6	55
Angle Fastener 8 40x40-45°	17

B

Base Plate/Transport Plate 8 80x80-R80, M12	19
Bearing Block D30 100 D5-33	33
Bracket 6 D30 T2	51
Bracket 8 D30 T2	51

C

Cable Duct E 160x160	28
Cable Duct E 160x160 assembly set	29
Cable Duct E assembly set	29
Cap D30 R15	39
Cap, Container Profile D30	45
Conduit Profile U 160x160 SE	29
Connecting Cable, Socket / Earthed Plug with earthing lead	27
Container Profile D30	45
Conveyor Roller TR30, Bearing Flange D26.4/D5	33
Conveyor Roller TR30, Bearing Flange D27/D5	33

D

Drawbar Coupling D25-30	43
Drawbar D25-610	43

F

Fastener D30, internal	39
------------------------	----

L

Linear Unit LRE 8 D10 80x40 ZS K light	21
--	----

M

Monitor Arm, height-adjustable, 4 joints	24
Monitor Arm, height-adjustable, 5 joints	24
Monitor Mounting Joint D30 VESA 75-100	47

P

Panel Fixing Strips D30	41
Plain Bearing D40/D30-50 ESD with anti-torsion feature	37
Plain Bearing Sleeve D30/D20 ESD	35
Plain Bearing Sleeve D40/D30 ESD with anti-torsion feature	37
Profile Tube 8 D30	51

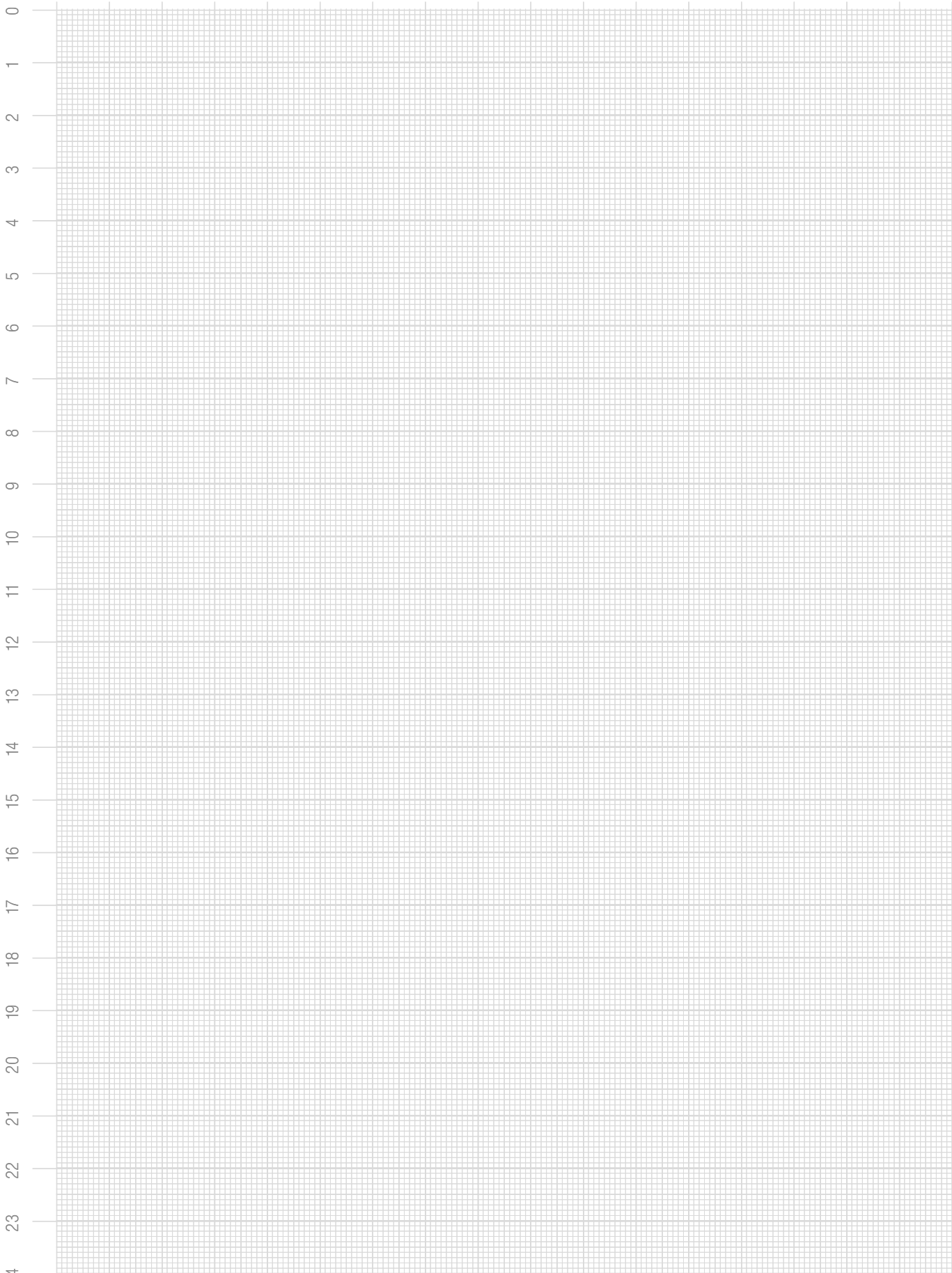
R

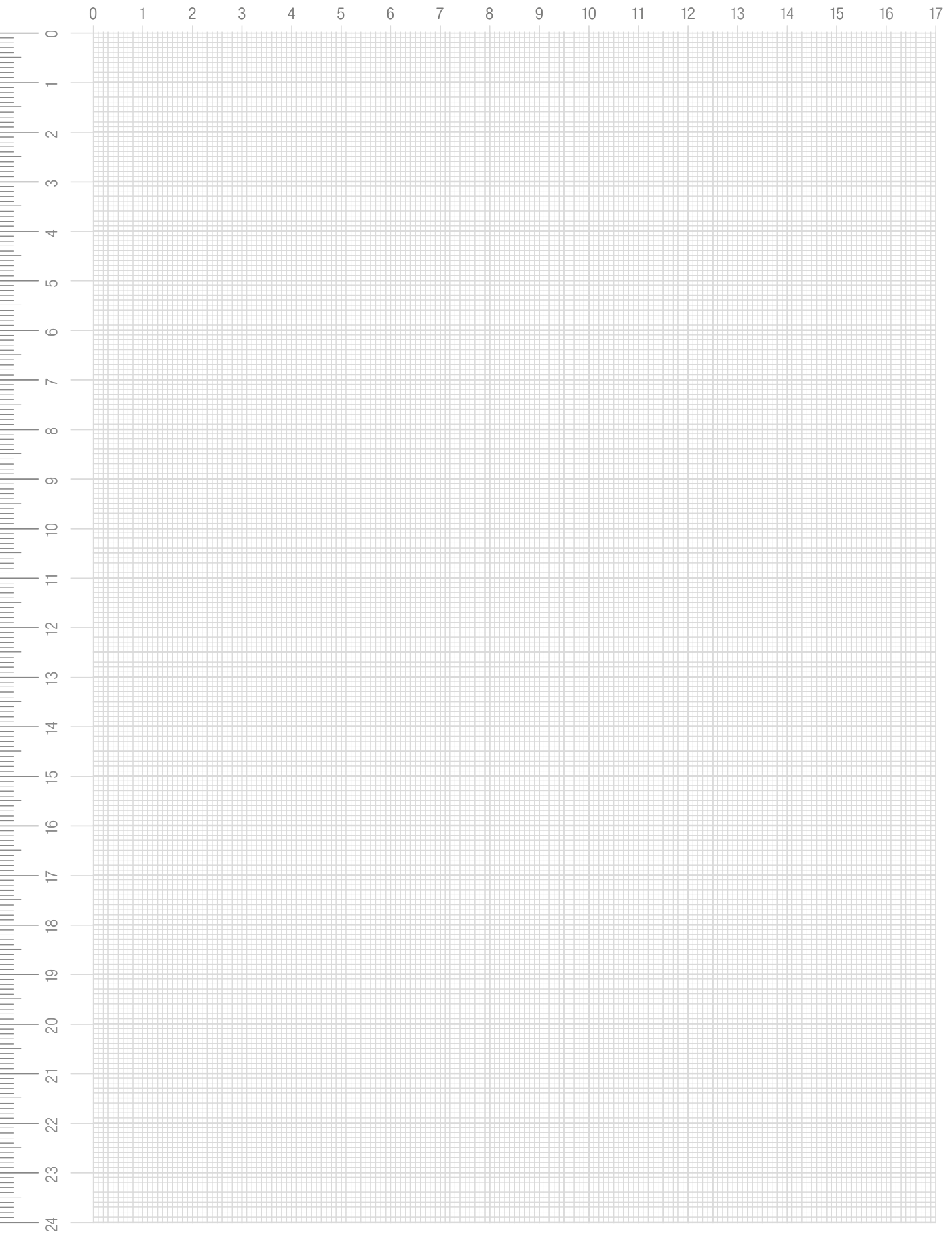
Rack 8 End Section K	21
Rack 8 Segment 80 K	21
Roller Conveyor 6 40x40 E D30 D11 Brake	54
Roller Conveyor St 60x24 D15 Brake	54
Roller Conveyor St 60, End Cap	53

T

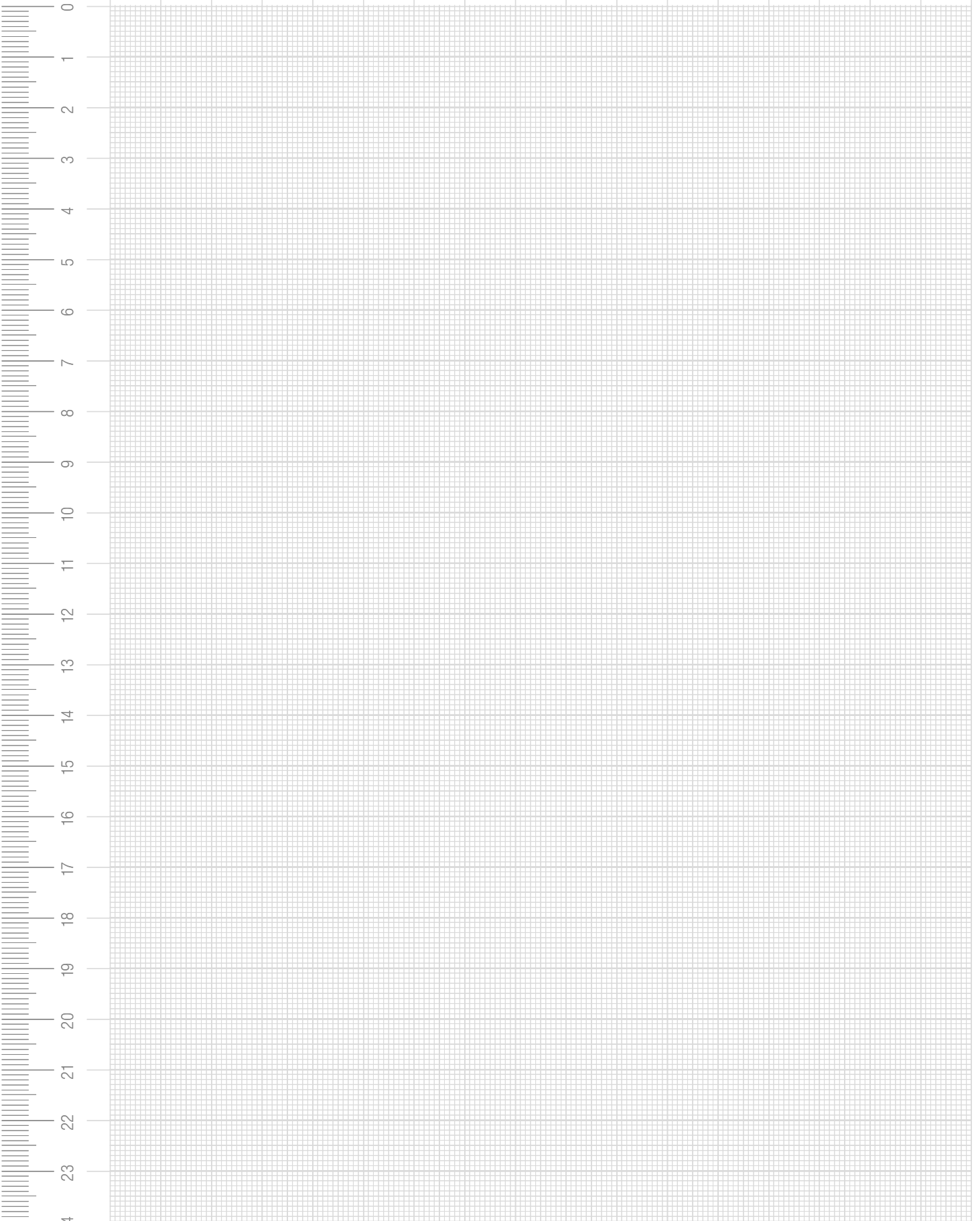
Telescope Clamp D40/D30	35
Threaded Inserts, Profile Tubes	49
Tube D30	51
Tube D30x1.8 KU	33

0 1 2 3 4 5 6 7 8 9 10 11 12 13 14 15 16 17





0 1 2 3 4 5 6 7 8 9 10 11 12 13 14 15 16 17



Concept, design and realisation

item Industrietechnik GmbH

Photographs

item Industrietechnik GmbH

Patents

Any copying of protected products is a violation of rights and, as such, shall be liable to compensation. Data and illustrations in this catalogue do not discharge the user from the obligation to carry out his own checks to determine whether the industrial property rights of third parties are infringed.

Product liability

item shall be liable, within the framework of the applicable legal provisions, for the promised characteristics of the products shown in this catalogue. Any claims for liability above and beyond such – in particular relating to products created by third parties using products included in this catalogue – are expressly excluded.

Conditions of use

The products in the item MB Building Kit System are suitable for use in dry conditions and over the temperature range -20°C to +70°C, unless otherwise indicated. item must be consulted where products are to be used for applications outside these limits.

Conformity with Directive 2011/65/EU (“RoHS”)

item has made a voluntary undertaking to refrain from using hazardous substances as defined in Directive 2011/65/EU in the products it sells, irrespective of their subsequent purpose which, in the majority of cases, does not fall under this Directive.



Always there for you.

Always up to date: Our website at item24.com offers further information on all the products and technologies that item supplies.

Technical modifications and errors reserved.

All rights reserved. Use of texts and illustrations or reprints of any kind only permitted with our prior written consent. This applies in particular to reproduction, translation or use in electronic systems.

item and the item claim are a registered trademark of item Industrietechnik GmbH.

© item Industrietechnik GmbH 2016

Your distribution and service partner

item

item Industrietechnik GmbH
Friedenstrasse 107-109
42699 Solingen
Germany

Phone +49 212 6580 0
Fax +49 212 6580 310

info@item24.com
item24.com

© item Industrietechnik GmbH Made in Germany

10/2016

0-4123 68

Your ideas are worth it.®