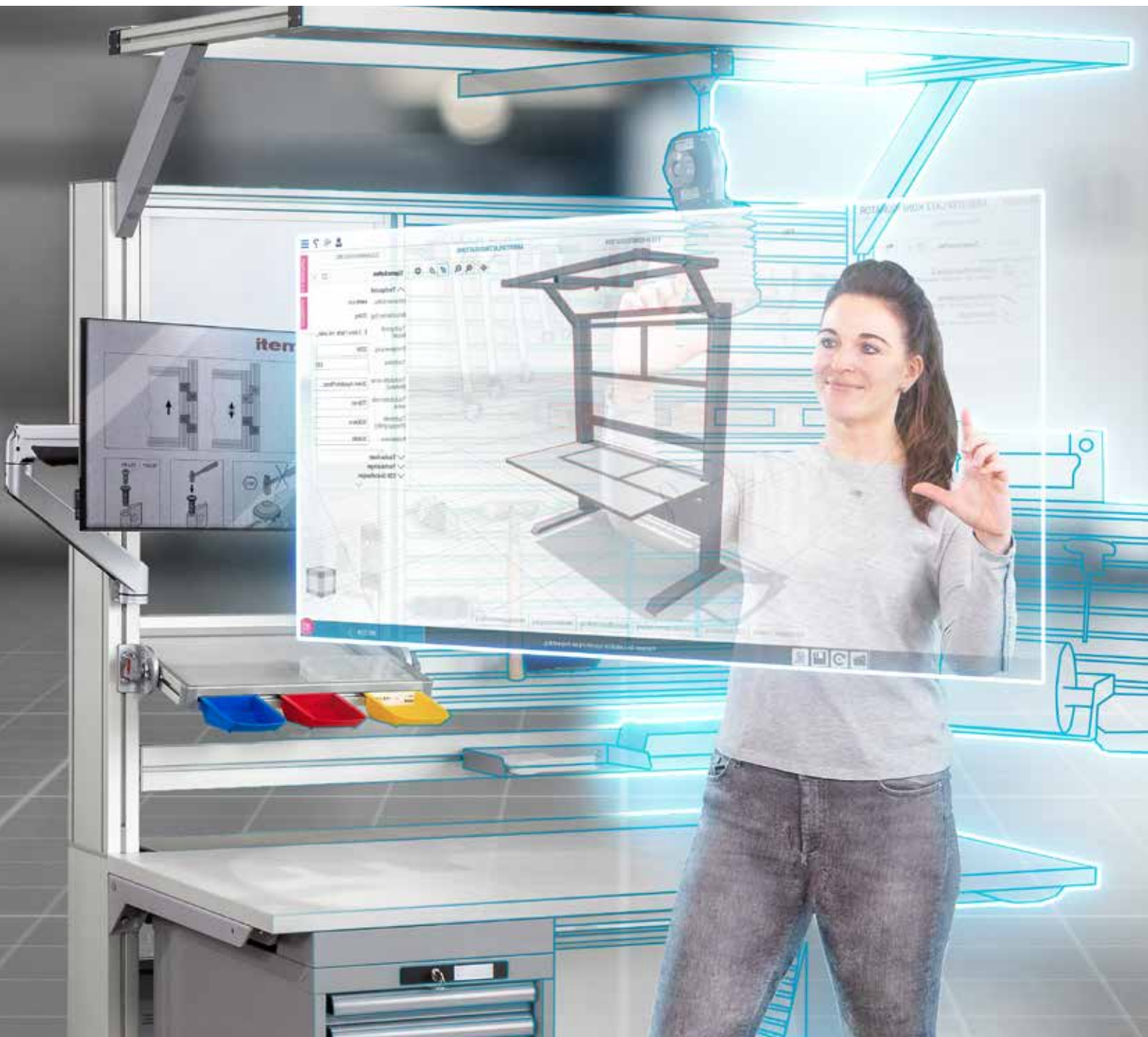


**item**



**Systematic innovation**

New Products 2021/ II

## Experience innovation – new item products for 2021/ II



### 4 Work Bench System

Highly adaptable! The new **Tables, Economy** are the ideal material-efficient basis for robust solutions that meet specific needs.

Highly spacious! The new **Drawer Units E** are the economical solution for stowing working materials safely at the work bench.

Highly versatile! The new modular **Cable Duct, Economy** creates a safe and tidy working environment under your bench, too.



### 12 Automation System

More equipment! The new **Controller BL 1- 04/C** offers all the key functions and interfaces in a single compact housing as standard.

More space! The new **Parallel Drive Set 6 60 SE 60** combines Linear Unit KGT 6 60 P20 with a Motor at a space-saving angle of 180°.

More freedom! The new **Linear Guide Rail PS 2-15** is the ideal basis for exceptionally low-profile and compact linear guides.



### 23 Line XMS

Safe operation! The opening of the integrated cable conduit on the new **Profile X 8 80x80 M45-36° - XMS** is at an angle of 36° to the user. Operating elements can be integrated ergonomically thanks to the M45 clip geometry.

Safe opening! The new **Door Stay 8** prevents doors from opening too far. The maximum opening angle can be adjusted steplessly. This slimline stay can be used with doors made from Line 8 profiles and XMS profiles.



## 27 Robotics

Simply integrated! **item robotics applications** provide numerous basic modules for using cobots in production. Designs can be modified quickly in line with your specific requirements.

Simply more productive! Want to use cobots as mobile solutions or directly at the work bench? Whichever is the case, the **item building kit system** can make it happen. Our **example applications** can be used as they are or very easily customised using downloaded CAD models.



## 31 Online tools

Perfect benches! The new **item Work Bench Configurator** can be used to create complete work benches in next to no time. Besides a practical 3D view, this online software also allows users to position accessories with outstanding precision. There is a virtual EPA function for designing ESD-safe work benches, too.

Perfect assembly! The **item Engineeringtool** now covers all project stages from design through to assembly. All components are labelled with a custom QR code, and the animated 3D construction guide sets out the optimum assembly workflow step by step.





## Ergonomic production – with the item Work Bench System

Drawer Units E  
SystemMobile S61T  
Cable Duct, Economy  
Flexible Conduit, Economy  
Tables, Economy

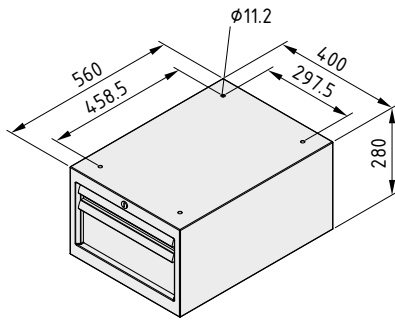


## Drawer Units E

- With two or three drawers
- Full pull-out for ease of access
- Ball-bearing soft-close action

Lightweight Drawer Units for lean benches: Drawer Unit S2 E and Drawer Unit S3 E feature two and three full pull-out drawers respectively. The top drawer of each unit is ideal for pens and flat utensils. A dividing insert system is enclosed for all drawers so that users can keep everything organised. A labelling panel is integrated into the grip rails. The ball-bearing soft-close feature ensures drawers slide smoothly and easily shut.

These lockable Drawer Units can be fastened to any table top using the drilled holes on the top. Adapter Sets are available for use with item work benches that have supporting struts.

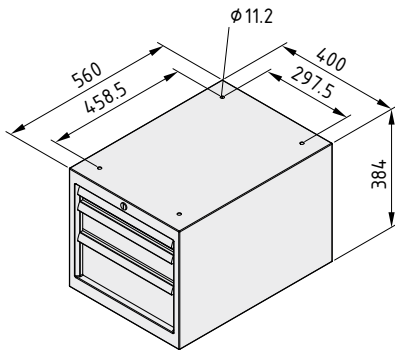


#### Drawer Unit S2 E

Steel sheet  
 Drawer 50 mm high with divider,  $M_{max} = 20$  kg  
 Usable dimensions: (HxWxD) 35 mm x 300 mm x 450 mm  
 Drawer 150 mm high with divider,  $M_{max} = 40$  kg  
 Usable dimensions: (HxWxD) 130 mm x 300 mm x 450 mm  
 Cylinder Lock with 2 keys  
 $m = 22.0$  kg

grey similar to RAL 7042, 1 set

0.0.700.97

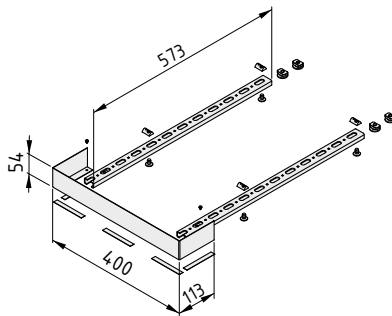


#### Drawer Unit S3 E

Steel sheet  
 Drawer 50 mm high with divider,  $M_{max} = 20$  kg  
 Usable dimensions: (HxWxD) 35 mm x 300 mm x 450 mm  
 Drawer 100 mm high with divider,  $M_{max} = 30$  kg  
 Usable dimensions: (HxWxD) 85 mm x 300 mm x 450 mm  
 Drawer 150 mm high with divider,  $M_{max} = 40$  kg  
 Usable dimensions: (HxWxD) 130 mm x 300 mm x 450 mm  
 Cylinder Lock with 2 keys  
 $m = 27.0$  kg

grey similar to RAL 7042, 1 set

0.0.700.98

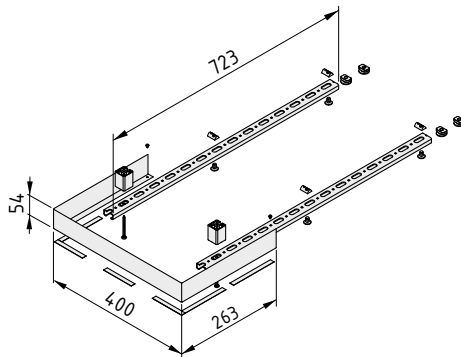


#### Drawer Unit Adapter Set E 600

2 C-Profiles, St, bright zinc-plated  
 Facing, St, grey similar to RAL 7042  
 Double-sided adhesive tape  
 Fastening elements  
 $m = 1.7$  kg

1 set

0.0.707.03



#### Drawer Unit Adapter Set E 750

2 C-Profiles, St, bright zinc-plated  
 Facing, St, grey similar to RAL 7042  
 Double-sided adhesive tape  
 Fastening elements  
 $m = 2.2$  kg

1 set

0.0.707.10

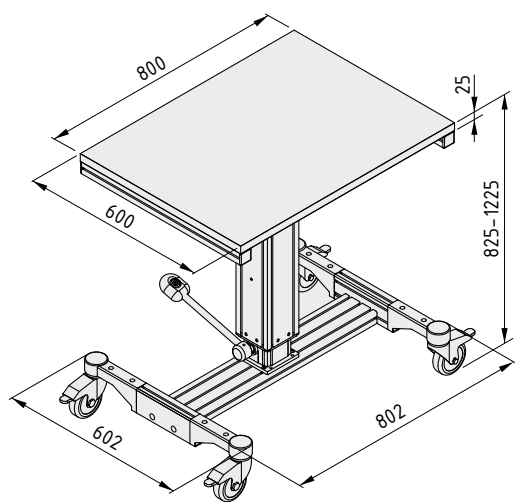


### SystemMobile S61T

- Hydraulic Lift Module
- Carries up to 100 kg
- 400 mm travel

SystemMobile S61T is a height-adjustable transport trolley for weights of up to 100 kg. Its stable chassis, which features Swivel Castors that can be locked in place, makes it ideal as a mobile working surface or transport solution that doesn't need an electrical power supply for height adjustment.

The hydraulic Lift Module raises the table top, which is made of robust HPL, by up to 400 mm. The mechanism is easy to operate using a foot pedal. Handles and other accessories can be fastened to the supporting struts, which feature a Line 8 groove.



#### SystemMobile S61T



SystemMobile with Swivel Castors  
Lift Module with pedal mechanism (hydraulic), 825 - 1225 mm  
Table top, usable area 800x600 mm  
m = 38.5 kg

1 set

0.0.708.63





## Cable Duct, Economy Flexible Conduit, Economy

- Combinable segments with cable outlet
- Simple filling thanks to double-sided opening mechanism
- Flexible Conduit for routing cables to the floor

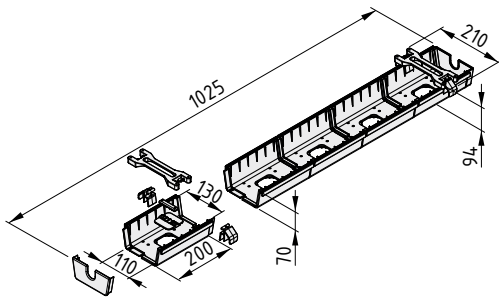
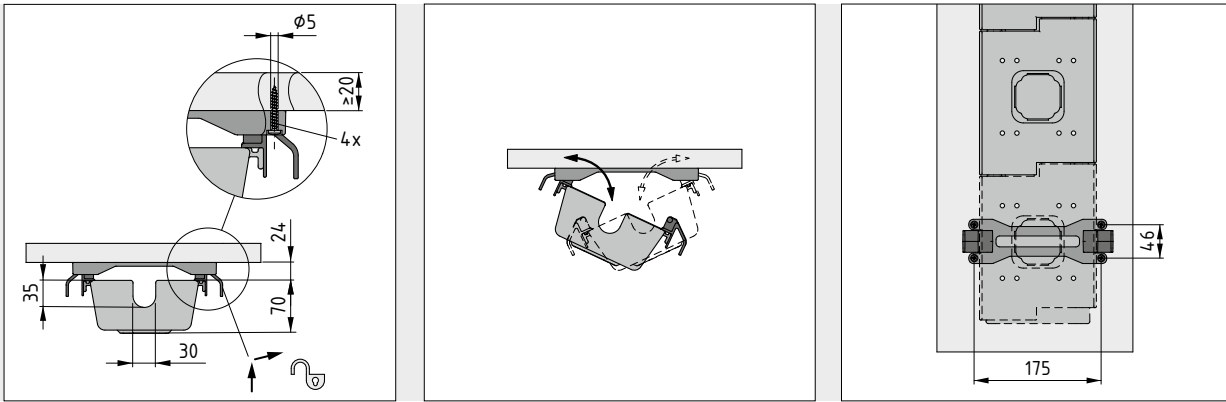
Cable guidance made easy: Cable Duct, Economy offers plenty of space for cables, power packs and Multi-Socket Power Strips. Its modular design means cable duct sets can be joined together, as can individual segments from these sets.

Cable Duct, Economy can be opened from either side as a practical way of inserting cables and components. Cables can also be fed out either through the underside or through the continuous gap between the table top and Cable Duct.

Flexible Conduit, Economy routes cables neatly from the floor to the Cable Duct. This movable cable guidance system compensates for height differences – including on adjustable tables – and can be clipped to the underside of any Cable Duct segment. Its weighted foot ensures the Flexible Conduit stands firmly on the floor.





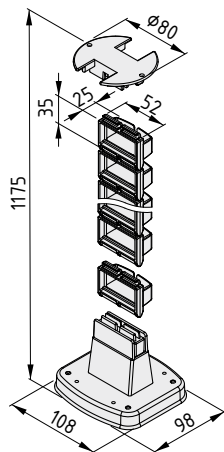


**Cable Duct, Economy**

5 segments, PA  
 2 end caps, PA  
 Fastening elements  
 m = 1.2 kg

black similar to RAL 9005, 1 set

0.0.677.86



**Flexible Conduit, Economy**

31 segments, PA  
 Cable Duct connection, PA  
 Base plate, PA/St  
 m = 0.9 kg

black similar to RAL 9005, 1 set

0.0.710.35



## Tables, Economy

- Stable basic models for custom planning
- Optimised use of profiles for maximum efficiency
- All dimensions can be scaled

Tables, Economy from item utilise the strengths of the item building kit system to provide robust work benches in standard or custom dimensions while minimising material use.

Depending on how they are being used, Tables, Economy can be based on Line 8 profiles or Profile Tube System D30. The basic models can be extended with Uprights and Overhangs as required.

Thanks to their modular design, all dimensions of Tables, Economy can be scaled. Whether you need a bigger table top, taller table legs or additional accessories – everything can be modified to suit your specific requirements.

The basic models save you a great deal of time when designing the basic table – leaving you even more scope to explore your ideas.

**Note:** If you wish to design electrically height-adjustable work benches or solutions with just two table legs, please use the Work Bench Configurator and the familiar item work benches.





EX-01410



EX-01424



EX-01444

### Tables, Economy 80x40 F

Tables, Economy 80x40 feature a torsion resistant frame made of Profiles 8 80x40 E. The basic frame and table top are based on the extensive experience of item designers and therefore strike the ideal balance between stability and efficiency.

The load-carrying capacity of the basic model is 200 kg. This model can be extended by adding an Upright and an Overhang. The Line 8 grooves make it easy to add accessories such as Parts Containers and Pivot Arms.



EX-01446



EX-01460



EX-01480

### Tables, Economy Lean F

Tables, Economy Lean F boast maximum stability combined with optimised use of profiles. The table variants show just how easy it is to create robust tables from Profile Tubes D30 and D40. The height, width and depth of the basic model can be customised to suit requirements and any fixtures and fittings can be added as needed. Ready-made basic models complete with Upright and Overhang are available.

Making custom modifications is easy – even integrating Karakuri/LCA (low-cost automation) solutions. Load-carrying capacity is 150 kg.



**Note:**

You can find the CAD data for Tables, Economy in the Customer Solutions section of the item website or access it directly at: [item24.de/en/application-examples](http://item24.de/en/application-examples)



Boost efficiency – with the item Automation System

Controller BL 1-04/C  
Linear Guide System PS 2-15  
Parallel Drive Set 6 60 SE 60  
item MotionKits Linear Unit KGT 6 60 P20 - BL





## Controller BL 1-04/C

- High controller quality with high sampling rate
- Extensive series-standard configuration
- Very compact design

Innovation through integration! item Controller BL 1-04/C is a highly integrated servo controller that has been perfectly configured for item Linear Units and drive technology. All key functions and interfaces are included as standard.

A single-phase controller with short sampling times and a cutting-edge programming environment make productive applications possible. Thanks to its compact format (200x50x163 mm), the Controller takes up little space in a switchbox and makes the item linear motion units® even more flexible and impressive.

item Controller BL 1-04/C supports the portfolio of item servomotors and encoder systems. All the components in the item Automation System can be perfectly combined with the MB Building Kit System to create a complete machine made entirely of item components.

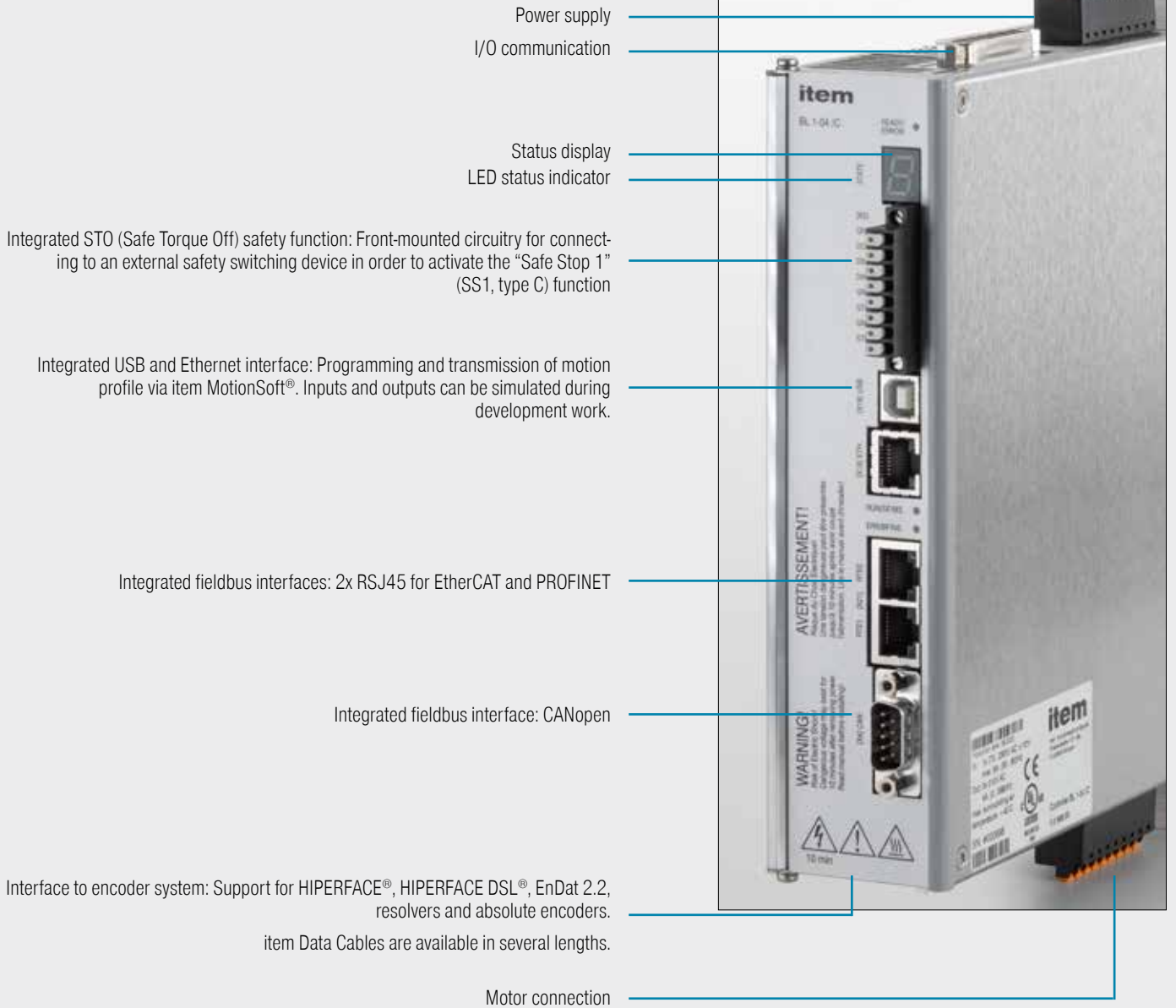
The mechanical and electronic components required for the application can be designed and configured using item MotionDesigner®.

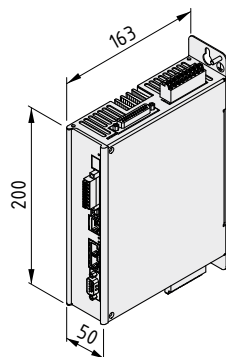
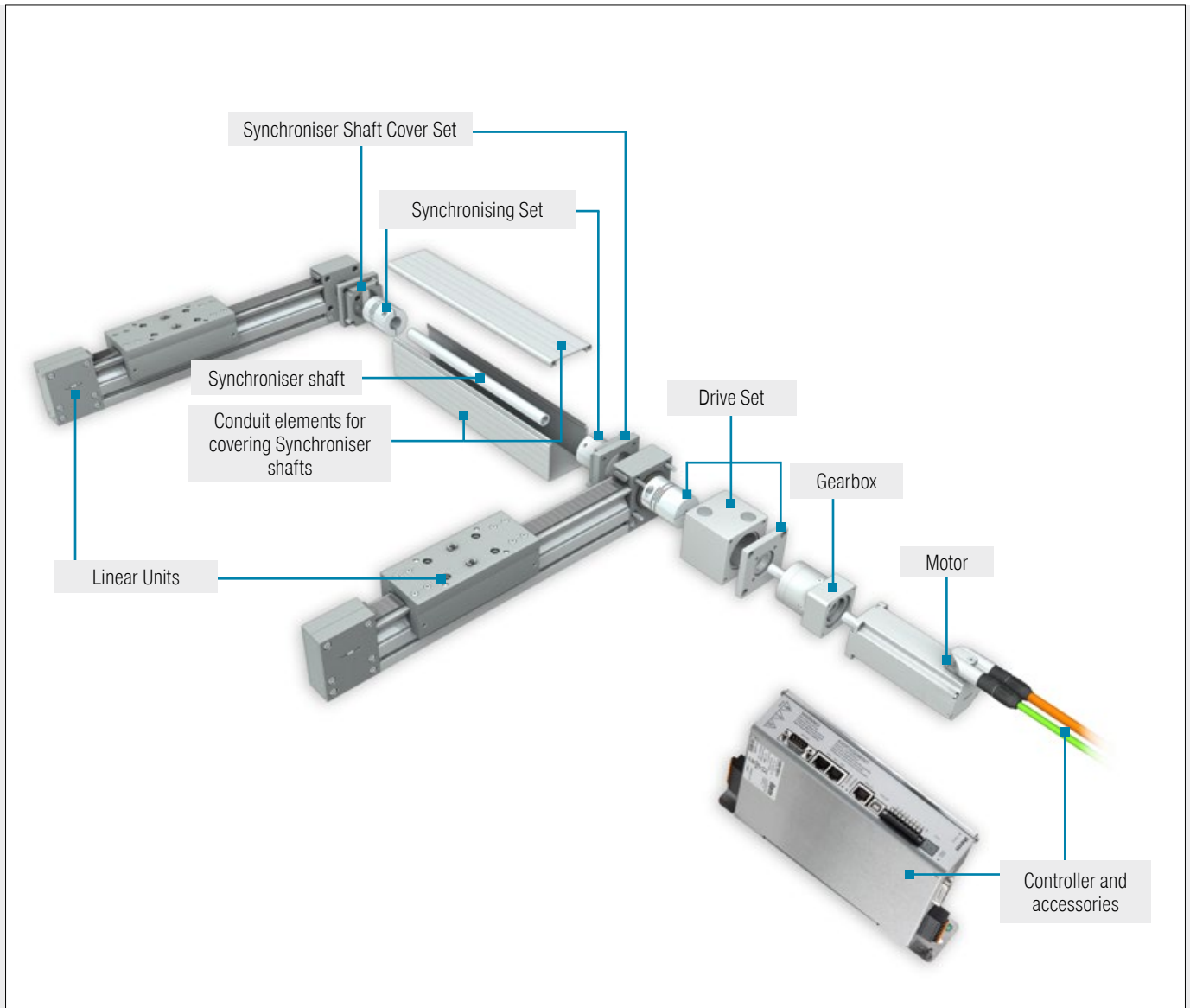


### The benefits at a glance:

- Comprehensive series-standard configuration and streamlined range of variants
- Simple and flexible configuration
- Takes up very little space in switchbox
- Rapid commissioning via item MotionSoft® (IMS)
- Efficient programming of motion profiles, including I/O simulation
- Seamless integration into the item Automation System
- Device description files available as download

## Compact design and extensive series-standard configuration





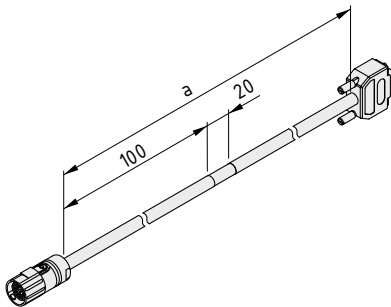
**Controller BL 1-04/C**

Supply voltage	1 x 75 ... 230 VAC (+- 10%), 50 .. 60 Hz
Control voltage	24 VDC (+-20 %) [0,35 A]
DC bus circuit voltage	325 V
Output power (rated)	0.8 KVA
max. output power (for 5 s)	1 KVA

1 pce. 0.0.698.50



To prevent interference, the interplay between the Motor and Controller is handled via two separate cables: The orange Power Cable feeds power to the Motor, while the green Data Cable is reserved for data transfer. Different connectors and colour coding make the separate types of cable unmistakable on site and ensure they are not connected to the wrong terminal.



**Data Cable BL RSC/5**

Minimum bend radius (when fixed in place)	30 mm
Minimum bend radius (repeated movement)	63 mm
a = 5000 mm	m = 660.0 g

green, 1 pce. 0.0.704.71

**Data Cable BL RSC/10**

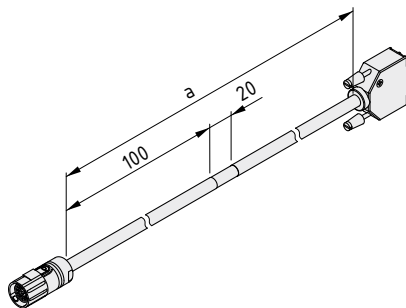
Minimum bend radius (when fixed in place)	30 mm
Minimum bend radius (repeated movement)	63 mm
a = 10000 mm	m = 1.2 kg

green, 1 pce. 0.0.704.72

**Data Cable BL RSC/15**

Minimum bend radius (when fixed in place)	30 mm
Minimum bend radius (repeated movement)	63 mm
a = 15000 mm	m = 1.8 kg

green, 1 pce. 0.0.704.73



**Data Cable BL AKSC/5**

Minimum bend radius (when fixed in place)	45 mm
Minimum bend radius (repeated movement)	93 mm
a = 5000 mm	m = 670.0 g

green, 1 pce. 0.0.704.75

**Data Cable BL AKSC/10**

Minimum bend radius (when fixed in place)	45 mm
Minimum bend radius (repeated movement)	93 mm
a = 10000 mm	m = 1.2 kg

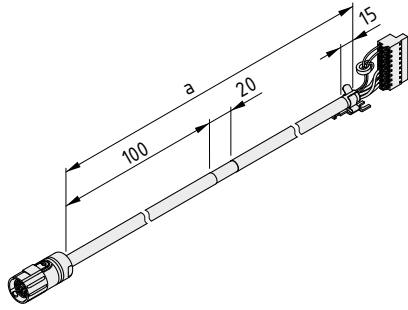
green, 1 pce. 0.0.704.76

**Data Cable BL AKSC/15**

Minimum bend radius (when fixed in place)	45 mm
Minimum bend radius (repeated movement)	93 mm
a = 15000 mm	m = 1.8 kg

green, 1 pce. 0.0.704.77





**Power Cable BL SC1 04/5**

Minimum bend radius (when fixed in place)	46 mm
Minimum bend radius (repeated movement)	87 mm
a = 5000 mm	m = 1.0 kg

orange, 1 pce. 0.0.703.51

**Power Cable BL SC1 04/10**

Minimum bend radius (when fixed in place)	46 mm
Minimum bend radius (repeated movement)	87 mm
a = 10000 mm	m = 2.0 kg

orange, 1 pce. 0.0.704.65

**Power Cable BL SC1 04/15**

Minimum bend radius (when fixed in place)	46 mm
Minimum bend radius (repeated movement)	87 mm
a = 15000 mm	m = 3.0 kg

orange, 1 pce. 0.0.704.66



## Linear Guide System

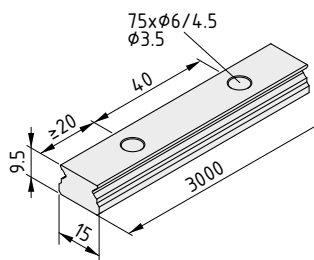
- Low-friction recirculating ball guide
- Exceptionally low-profile and compact
- Simple fastening to a Line 8 groove

Moving in the tightest of spaces: Pairing up Linear Guide Rail PS 2-15 and Bearing Carriage PS 2-15 creates an exceptionally low-profile and compact Linear Guide. The low-friction Bearing Carriage is designed for a load of 750 N.

Linear Guide Rail PS 2-15 is fastened to the Line 8 groove of the support profile using Assembly Set 8 PS 2-15 Rail (0.0.708.78).

	PS 2-15	PS 4-15	PS 4-20	PS 4-25
$F_y = F_z$	750 N	1000 N*	1850 N	2500 N
$M_x$	8 Nm	15 Nm	40 Nm	60 Nm
$M_y = M_z$	7 Nm	10 Nm	20 Nm	25 Nm
C	5350 N	7200 N	13100 N	17900 N
$C_0$	9080 N	14500 N	27000 N	37000 N
$a_{max}$	40 m/s <sup>2</sup>	150 m/s <sup>2</sup>	150 m/s <sup>2</sup>	150 m/s <sup>2</sup>
$v_{max}$	3 m/s	5 m/s	5 m/s	5 m/s
$\vartheta$	-40 °C - +80 °C	-10 °C - +100 °C	-10 °C - +100 °C	-10 °C - +100 °C
$h_{min}$	120 mm	120 mm	150 mm	180 mm

\*Note: Due to the fixing of the guide rail, the stated tensile forces of the linear guide system cannot be fully utilised in all directions.



#### Linear Guide Rail PS 2-15

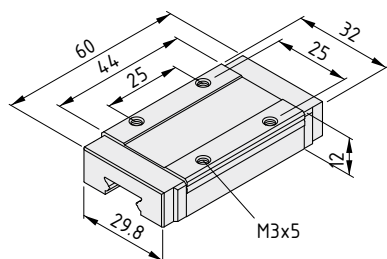
St, Cf53, hardened, polished  
m = 0.93 kg/m

cut-off max. 3000 mm

0.0.694.68

1 pce., length 3000 mm

0.0.694.39

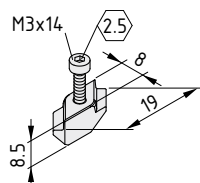


#### Bearing Carriage PS 2-15

Housing, St, hardened  
Wiper system, PA, black  
m = 90.9 g

1 pce.

0.0.694.38



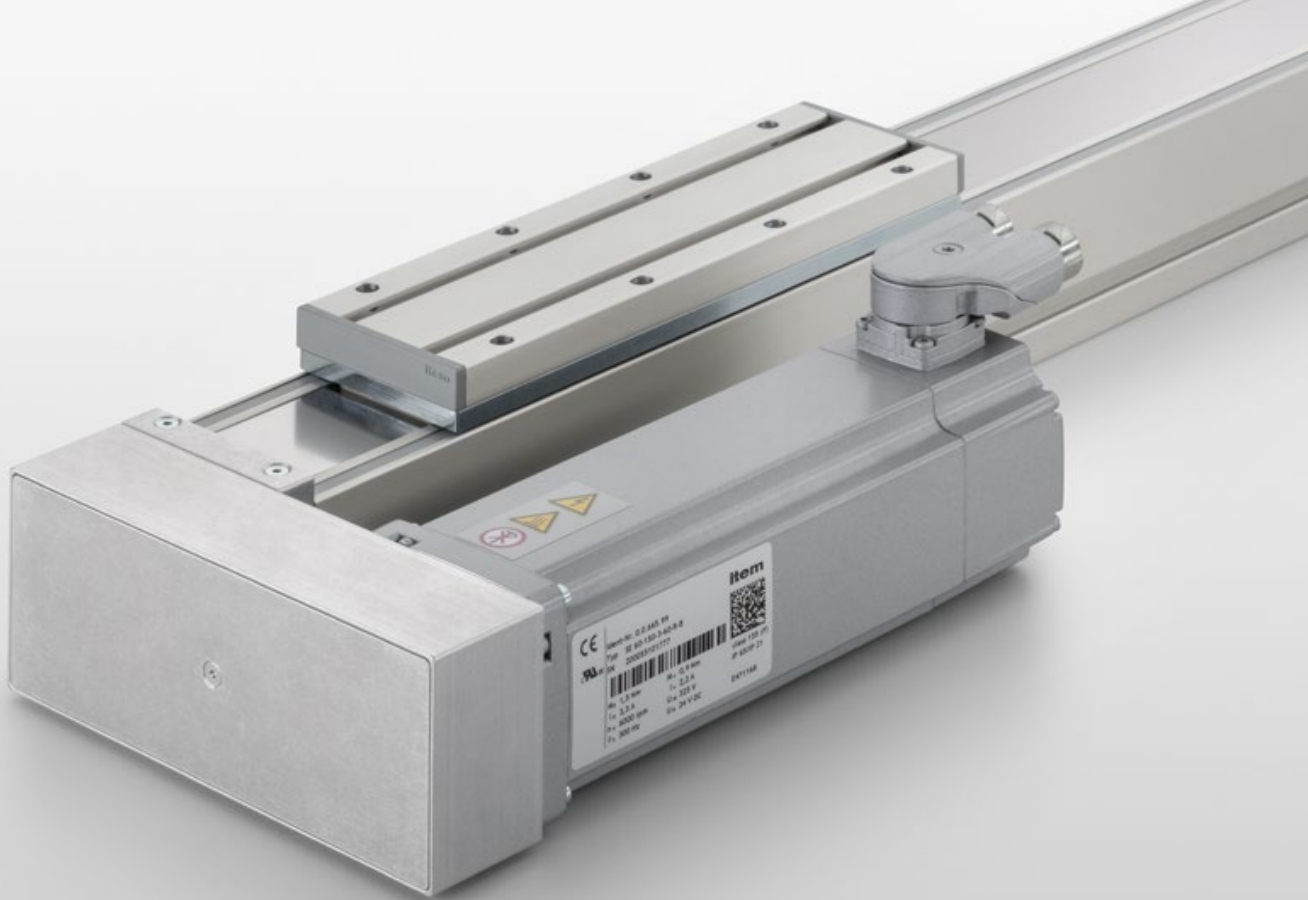
#### Assembly Set 8 PS 2-15 Rail

10 Hexagon Socket Head Cap Screws DIN 912-M3x14, St, bright zinc-plated  
10 T-Slot Nuts 8 Zn M3  
m = 60.0 g

1 set

0.0.708.78



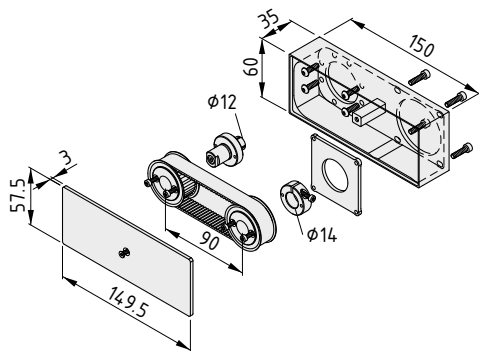


## Parallel Drive Set 6 60 SE 60

- Motor in space-saving orientation
- Efficient belt drive
- For Linear Unit KGT 6 60 P20

Parallel Drive Set 6 60 SE 60 combines Linear Unit KGT 6 60 P20 with a Motor at an angle of 180°. The fact the drive is positioned parallel to the Linear Unit means exceptionally space-saving applications can be realised.

A timing-belt drive ensures non-slip power transmission. As a plug-and-play solution, it does not require any machining when using item Motors from the 60 series.



### Parallel Drive Set 6 60 SE 60

Parallel mounting kit KGT 6 60, housing SE 60  
 Parallel mounting kit, cover  
 Expanding hub shaft d12 d14  
 Toothed belt pulley HTD3 Z38 D14  
 Timing Belt R15 3M L294  
 Button Head Screw, ISO 7380 M4x14 (ULS)  
 Hexagon Socket Head Cap Screw, DIN912 M3x12  
 Hexagon Socket Head Cap Screw, DIN912 M4x16  
 Countersunk Screw DIN7991 M3x8  
 Clamping hub D14  
 Threaded plate SE 60  
 m = 591.0 g

1 set

0.0.708.27





**6** item MotionKits Linear Unit KGT 6 60 P20 - BL

- All components in one turnkey package
- Stroke length 600, 1400 or 2600 mm
- With highly integrated Controller BL

item MotionKits Linear Unit KGT 6 60 P20 - BL give you everything you need for an automation project – the powerful and precise Linear Unit KGT 6 60 with a ball screw drive, a coordinated Motor and the dynamic Controller BL 1-04/C.

The highly integrated BL-series Controllers from item come with all key fieldbus interfaces and safety functions as standard. A Drive Set and Cables are also included in the all-in-one package so you can get started straight away.

item MotionKit BL is available in three set stroke lengths (600, 1400 and 2600 mm) for an attractive package price. This turnkey solution is available directly and, thanks to its three standard lengths, can be easily factored into project costings.

item MotionKits offer all the benefits of the item Automation System. The Linear Unit is easy to program and the item Controller can be used with or without an overarching PLC. item MotionSoft® commissioning software makes it easy to get your system up and running and automatically optimises controller settings.

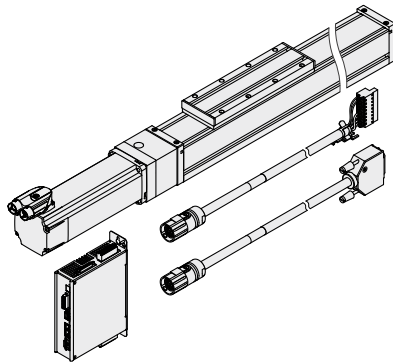


## The item MotionKits as turnkey all-in-one packages

item MotionKits provide perfectly coordinated all-in-one packages comprising Linear Unit KGT 6 60, Motor and Controller. They are available as turnkey solutions in three fixed stroke lengths at an attractive package price.

### The benefits at a glance:

- Linear Unit, Motor, Controller and Cables for an attractive package price
- Three lengths for typical applications: 600, 1400 or 2600 mm
- Can be easily combined for multi-axis handling



#### item MotionKit Linear Unit KGT 6 60 P20-600 - BL

Linear Unit KGT 6 60 P20 – 600 mm stroke  
 Drive Set KGT 6 60 SE 60  
 Motor SE 60-150-3-60-AK-B  
 Controller BL 1-04/C  
 Power Cable BL SC1 04/5, orange  
 Data Cable BL AKSC/5, green

1 set

0.0.709.17

#### item MotionKit Linear Unit KGT 6 60 P20-1400 - BL

Linear Unit KGT 6 60 P20 – 1400 mm stroke  
 Drive Set KGT 6 60 SE 60  
 Motor SE 60-150-3-60-AK-B  
 Controller BL 1-04/C  
 Power Cable BL SC1 04/5, orange  
 Data Cable BL AKSC/5, green

1 set

0.0.709.18

#### item MotionKit Linear Unit KGT 6 60 P20-2600 - BL

Linear Unit KGT 6 60 P20 – 2600 mm stroke  
 Drive Set KGT 6 60 SE 60  
 Motor SE 60-150-3-60-AK-B  
 Controller BL 1-04/C  
 Power Cable BL SC1 04/5, orange  
 Data Cable BL AKSC/5, green

1 set

0.0.709.19



Mechanical engineering automation – with Line XMS

Profile X 8 80x80 M45-36° - XMS

Door Stay 8



### Profile X 8 80x80 M45-36° - XMS

- Ideal for installing operating elements
- Ergonomically angled contour
- Cable conduit accessible from outside

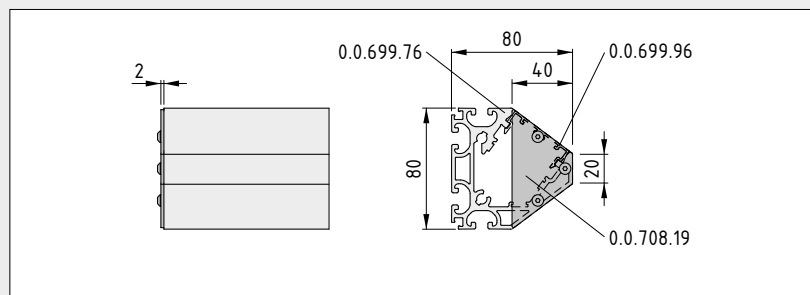
Perfect as an operating panel: Profile X 8 80x80 M45-36° - XMS is a construction profile with a specially angled contour and an integrated Line XMS cable conduit. Thanks to its M45 clip-in geometry, switches and display elements can be easily integrated into it. These operating elements are automatically installed at an ergonomic 36° angle to the user.

**Note:** When installing a horizontal operating profile in front of a door or hatch, it is crucial to check the height of the operating elements.

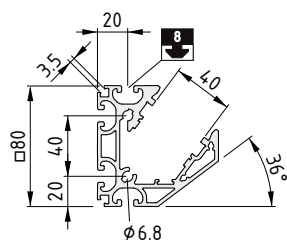


### Compatibility of components

Construction profile	 0.0.695.56	 0.0.695.55	 0.0.695.80	 0.0.700.02	 0.0.699.76
Fasteners	 0.0.698.87	 0.0.698.88	 0.0.698.86	×	 0.0.698.88
Cover Profile	 0.0.695.52	 0.0.695.54	 0.0.695.52	 0.0.700.01	 0.0.699.96
Base plate	 0.0.698.63	 0.0.698.64	 0.0.704.23	 0.0.704.22	 0.0.652.63
Cap	 0.0.699.71	 0.0.699.72	 0.0.699.70	 0.0.699.69	 0.0.651.39
	 0.0.699.72	 0.0.708.19			



Cap X 8 M45-36° AI (0.0.708.19) seals the angled section of Profile X 8 80x80 M45-36° - XMS (0.0.699.76) at the end face. Cover Profile M45 - XMS (0.0.699.96) seals the integrated cable conduit.



#### Profile X 8 80x80 M45-36° - XMS

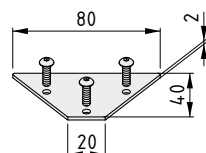


Al, anodized

A [cm <sup>2</sup> ]	m [kg/m]	I <sub>x</sub> [cm <sup>4</sup> ]	I <sub>y</sub> [cm <sup>4</sup> ]	W <sub>x</sub> [cm <sup>3</sup> ]	W <sub>y</sub> [cm <sup>3</sup> ]
13.60	3.67	82.27	73.03	19.59	14.52
natural, cut-off max. 6000 mm					
natural, 1 pce., length 6000 mm					

0.0.699.76

0.0.699.75



#### Cap X 8 M45-36° AI



Cap, Al, white aluminium similar to RAL 9006  
3 Button-Head Screws ISO 7380-M4x8, St, bright zinc-plated  
m = 16.0 g

1 set

0.0.708.19





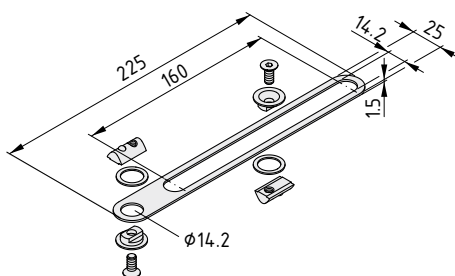
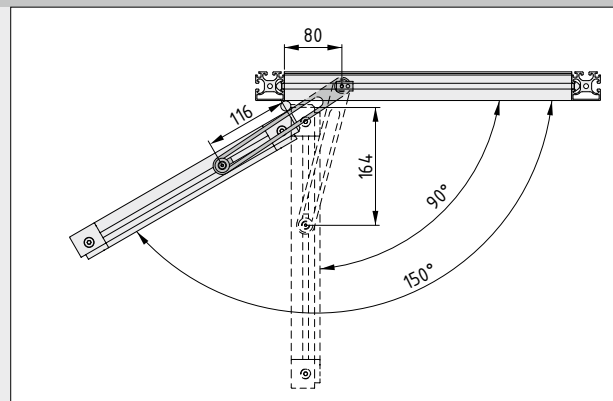
## Door Stay 8

- Reduces the opening angle on doors
- Steplessly adjustable
- Compatible with Door Lip Seals XMS

When using Door Stay 8, you can steplessly adjust the maximum opening angle of a door or hatch. It also ensures hinges are not dislodged by excessive momentum on doors. Door Stay 8 can be used with doors made from Line 8 profiles and Line XMS profiles.

The flat restrictor fits into the gap around the door without impairing the functionality of the Door Lip Seal used with Line XMS profiles.

Permissible tensile load is 500 N.



### Door Stay 8

Door Stay 8, St, stainless  
Fastening materials  
 $m = 70.0 \text{ g}$

1 set

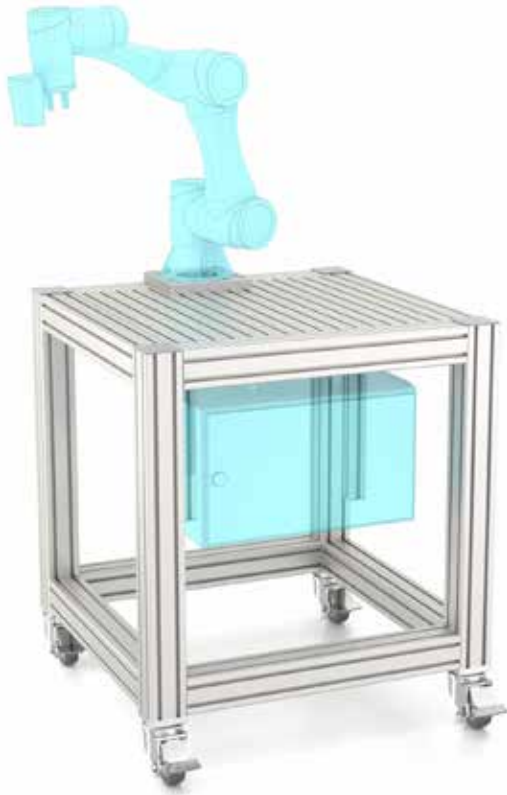
0.0.704.24





## Collaborative production – robotics applications from item

- Basic module for using cobots
- Variable cobot workstation with doors
- Partially enclosed cabin for collaborative production
- Robot column with levelling base plate
- Robot column for mobile use
- Collaborative work bench with comprehensive equipment



## Basic module for using cobots

This frame with Groove Plate has been reduced to the essentials. It serves as the basic module for planning autonomous or integrated cobot solutions. All the dimensions can easily be adjusted during the planning stage, making it a straightforward process to create a frame that is optimised for your needs. The frame with Line 8 grooves is compatible with the item building kit system, enabling the use of the entire portfolio of profiles, panel fasteners and accessories.  
EX-01227



## Variable cobot workstation with doors

The high degree of flexibility provided by this workstation makes it the perfectly organised basis for cutting-edge production, simplifying the development of new production methods. The full-size item Groove Plate offers a universal fastening option for fixtures, the cobot and other accessories. Cable conduits integrated into the Line XMS profiles route cables safely. The cleanly closed outer surfaces and doors turn the load-bearing frame into a generously sized under-bench cabinet with storage space for technology and working materials.  
EX-01226



**Note:**

Stability must be checked to ensure suitability for the scale of the solution, mode of operation and the model of robot.



**Note:**

You can find the CAD data for these and other robotics applications in the Customer Solutions section of the item website or access it directly at: [item24.de/en/application-examples](http://item24.de/en/application-examples)



## Partially enclosed cabin for collaborative production

More safety thanks to adaptive housing – the removable panelling offers protection, wherever it's needed. At the same time, the cobot retains full access to the work area. Large windows with impact-proof glazing allow for visual checks. The frame uses Line XMS corner profiles with integrated cable conduits, which accommodate operating elements such as the Emergency Stop Button. The base section offers plenty of space for the control system, working materials and other peripheral installations.

EX-01230



## Robot column with levelling base plate

This slimline, stationary column doesn't take up much space and is steady as a rock thanks to its large base plate. When combined with the Floor-Fastening Sets, the heavy-duty Levelling Feet D80 ensure a perfect, flat alignment and secure positioning during operations. Working height is determined by the length of the item Installation Column 8 160x160, as the cobot is fitted to the end face of this column using Robot Mounting Plate 8. Line 8 grooves on all sides and the integrated cable conduits ensure the best possible connection options.

EX-01232



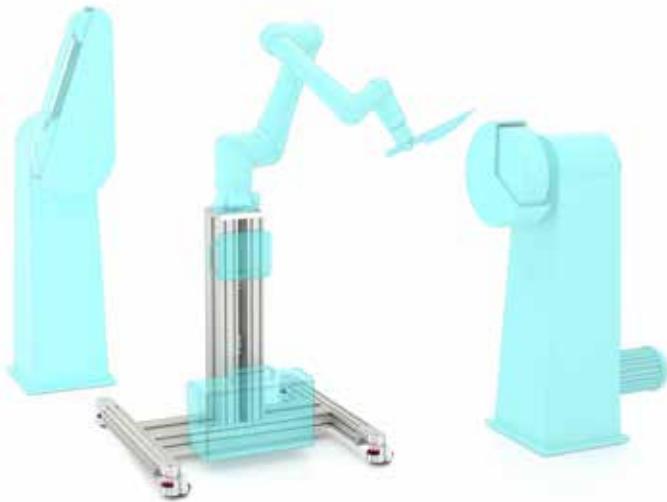
### Note:

Stability must be checked to ensure suitability for the scale of the solution, mode of operation and the model of robot.



### Note:

You can find the CAD data for these and other robotics applications in the Customer Solutions section of the item website or access it directly at: [item24.de/en/application-examples](http://item24.de/en/application-examples)



## Robot column for mobile use

Fast, manoeuvrable and always where it's needed – thanks to this stable frame, you can move even large cobots from one deployment site to another. The central column offers a base area of 200 x 200 mm for attaching a cobot using item Robot Mounting Plate 8. Once the mobile cobot is where it needs to be, Jacking Castors make sure it stays securely in place. The integrated height adjustment features level out uneven floors.

EX-01233



## Collaborative work bench with comprehensive equipment

This work bench with four electrically height-adjustable table columns has an additional heavy-duty profile at the rear that features Line 8 grooves for attaching a cobot. This enables collaborative applications in manual production. The expandable item work benches with Uprights and Overhangs can always be adapted to the latest production process using Pivot Arms, accessories and lights. Integrating a cobot further expands the range of potential applications.

EX-01237



### Note:

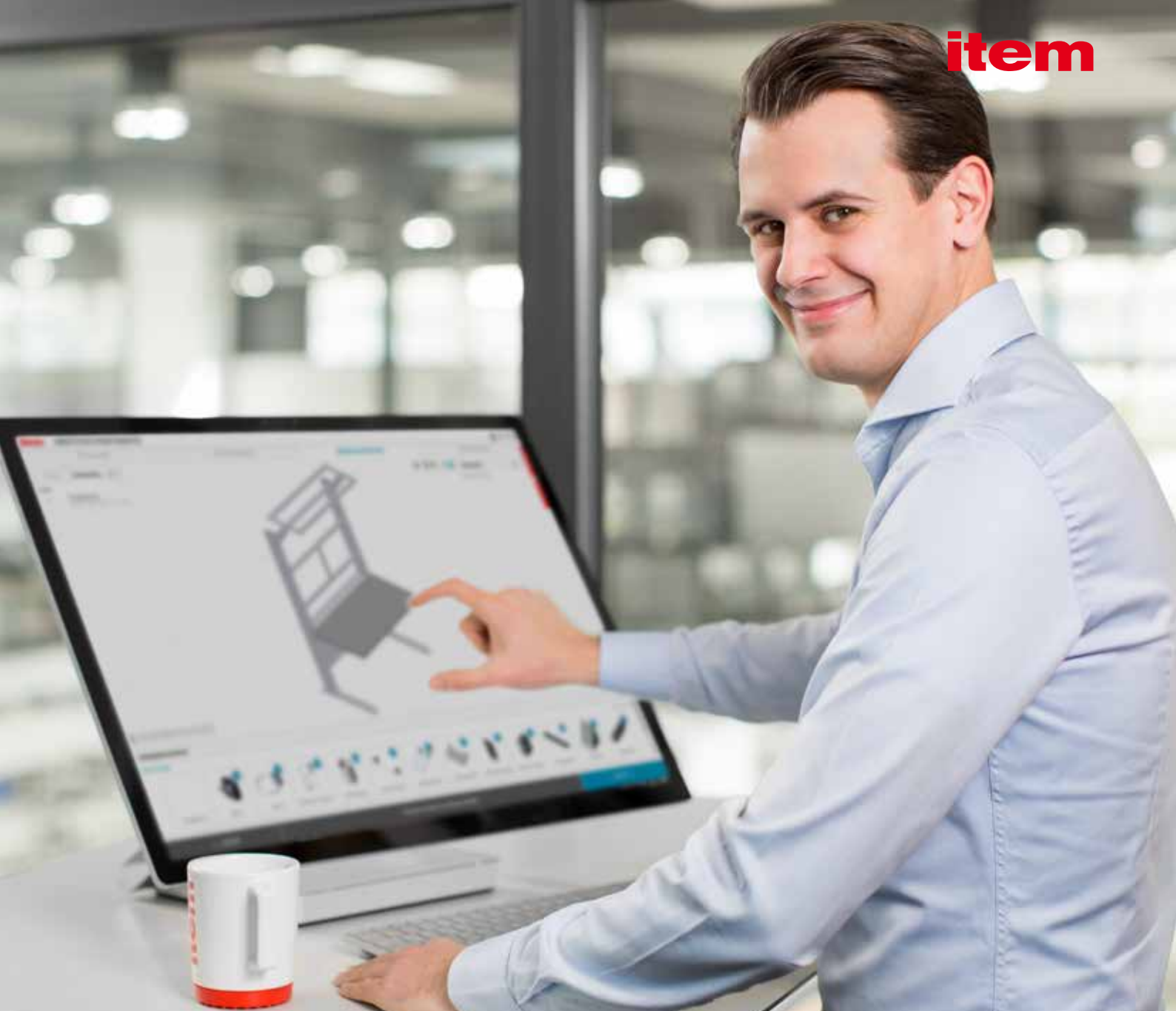
Stability must be checked to ensure suitability for the scale of the solution, mode of operation and the model of robot.



### Note:

You can find the CAD data for these and other robotics applications in the Customer Solutions section of the item website or access it directly at: [item24.de/en/application-examples](http://item24.de/en/application-examples)





Work digitally from start to finish – with online tools from item

item Work Bench Configurator  
item Engineeringtool



## item Work Bench Configurator

- New! Tables in custom sizes
- New! Place components anywhere
- New! Clear editing and 3D depiction

The new item Work Bench Configurator makes it exceptionally easy for you to put together your customised work bench using drag and drop. Configure your work bench with countless accessory components to suit your requirements – including ESD-safe equipment.

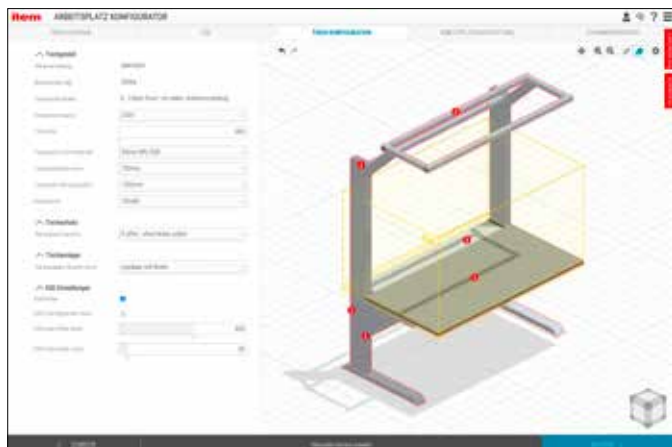
This online tool guides you step by step through the configuration process. Components and accessories can be positioned anywhere in the clearly structured 3D work area, and you can view your work bench from any angle and make changes at any time.

The configurator also provides additional information about the components, so that you can select the ideal Table Frame, Upright, Overhang and Table Top without needing to have any prior knowledge. You can also choose one of three standard sizes or plan a solution in custom dimensions.

If you need an ESD-safe work bench, you can apply a custom-defined electrostatic protected area (EPA) to your design at the click of a mouse. Once you've done that, the configurator will warn you if any of the components in the EPA aren't ESD safe. Every ESD work bench is supplied with a measurement log.

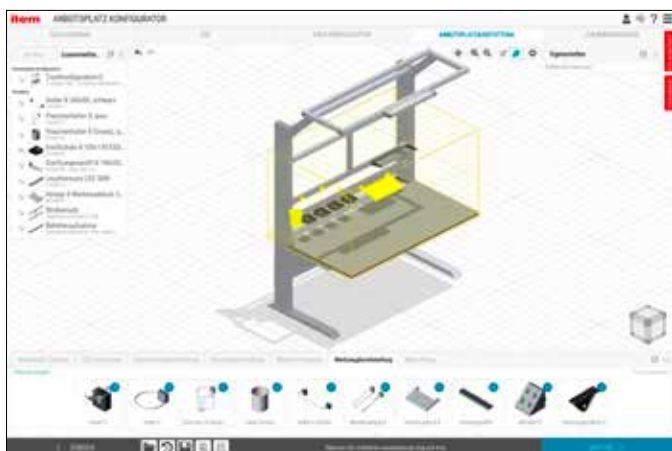


Get started straight away! The item Work Bench Configurator is available online at:  
[item24.com/wb-configurator](https://item24.com/wb-configurator)



### Simple

The intuitive interface of the Work Bench Configurator guides you step by step through the configuration process. Every change, such as customising the size of the table, is depicted straight away on the 3D work area to ensure you always have a clear overview.



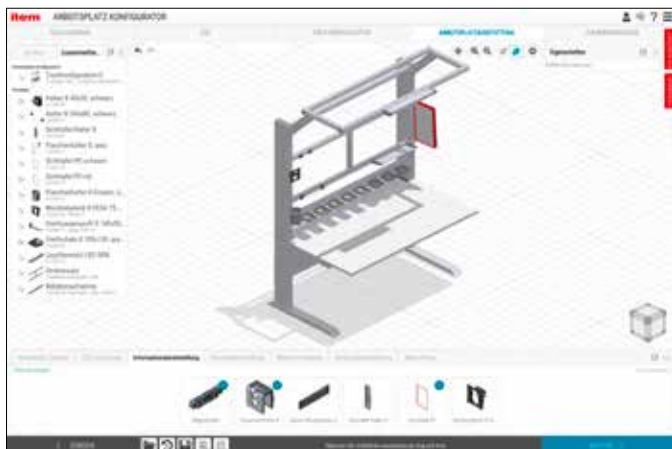
### Dependable

The configurator automatically adds the necessary connection and fastening elements and flags up collisions. When configuring an ESD-safe solution, you'll be notified if you incorporate components that aren't ESD safe, although you're still free to plan your solution as you see fit. Meanwhile, project documentation makes it easy to place repeat orders for solutions and documents the installation positions of all accessories down to the last millimetre.



### Collaborative

The Work Bench Configurator is based on the very latest web technology, making it possible for even the most far-flung departments within a company to coordinate with one another. A unique QR code on the project documentation makes sharing the project even easier. There's nothing to stop different people all over the world viewing a project and also editing it, if necessary.



### Fast

Fully digitalised processes mean that custom dimensions can now be configured as quickly as standard solutions, without the need for manual engineering work. The intuitive nature of the Work Bench Configurator speeds up and simplifies planning processes enormously. The provision of CAD data makes it easy to transfer data into your own, in-house factory planning or layout programs.





## item Engineeringtool

- New! 3D assembly guide
- New! Measure distance from the ground
- New! Place identical components quickly

the item Engineeringtool can do more than any CAD program. This 3D design software covers every step of a project – from the initial design through to actual assembly. This is made possible by the project viewer, which links together – in both analogue and digital formats – engineering data, information on the components used and the construction guide.

The item project viewer now allows you to call up an animated 3D construction guide that uses moving images to illustrate the ideal step-by-step sequence for assembling components. The software makes the most of our engineers' decades of experience so that you can get your solution up and running faster.

This function complements the PDF construction guide included in the project documentation. Clicking a QR code with your mouse or scanning it with your mobile device takes you directly to a view of the entire project in the project viewer.

The custom QR codes applied to all the components in a construction are another useful tool for fitters. Scanning these codes also takes users straight to the 3D illustration in the project viewer, where they can see precisely where the relevant component needs to be fitted. One more click is all it takes to access the 3D construction guide.



Good to go! You don't have to install any software to use the item Engineeringtool:  
[item24.de/en/engineeringtool](http://item24.de/en/engineeringtool)

### Step-by-step 3D construction guide

Projects often consist of more than 100 individual parts. This animated construction guide in the project viewer sets out in 3D exactly how everything fits together. That saves a lot of time because fitters on site are given all the information they need in a clear format and can follow an optimised sequence without having to be familiar with all the intricate details of the parts.



### All the information at a glance, thanks to QR codes

Twice as useful – the informative project documentation also includes a QR code that will take you straight to the project viewer. All you need to do is click it or scan it with a mobile device. This gives fitters direct access to all key information.

The separate QR codes on all the components work in the same way. If you use a mobile device to scan the code on the sticker, the project viewer will show you where to install the corresponding component. You can also access the 3D construction guide from here.



### Fast-action copying with <Ctrl>

Whether Parts Containers, Adjustable Feet or entire levels on a rack – just select the part you want to copy, hold down the Ctrl key and drag it to where you want to put it. The selected article will be copied directly to the new destination.



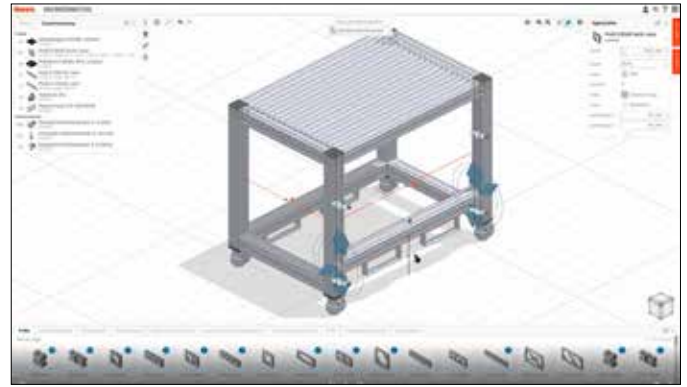
#### Note:

Click the play button in the images to launch an explanatory video for the relevant function.



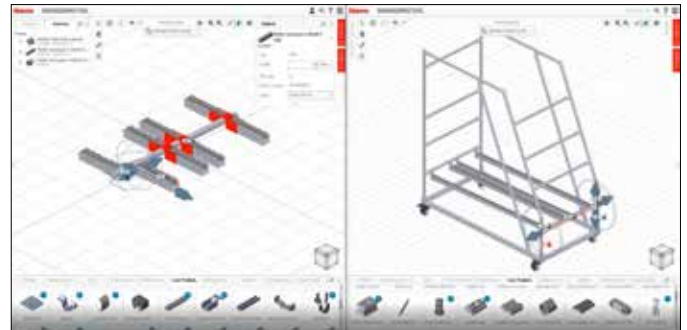
### Measuring to the floor

Will it fit? We have extended the measuring function so you can now easily check, for example, whether the intake/output points of specific levels on a construction match specifications. This means you can now display the distance between profiles and the ground, so you can make sure the desired height is maintained.



### Stay in control by working with two windows

To keep a better overview when designing smaller assemblies, you can open the item Engineeringtool in a second browser window. Building these structures separately on a clear work area makes it easier to keep track of everything. Once completed, these models can then be copied and pasted into the main construction.



### Always stay up to date

New functions are regularly added to the item Engineeringtool, and the integrated product catalogue is growing all the time as new products are incorporated. All these changes are automatically displayed in the change log that appears when the program is launched. What's more, it's also a good idea to subscribe to the "Online Tools" newsletter, which delivers all the latest news and practical tips direct to your inbox. To subscribe, simply go to: [welcome.item24.com/ot-newsletter-subscribing](http://welcome.item24.com/ot-newsletter-subscribing)





**item**



## Other item product catalogues



Work Bench System

[item24.de/en/epaper-wbs](http://item24.de/en/epaper-wbs)



Automation System

[item24.de/en/epaper-au](http://item24.de/en/epaper-au)



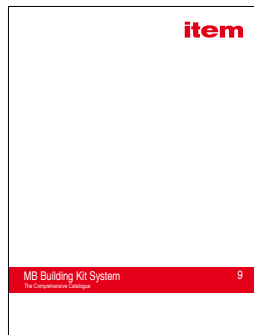
Line XMS

[item24.de/en/epaper-xm](http://item24.de/en/epaper-xm)



Lean Production Building Kit System

[item24.de/en/epaper-lp](http://item24.de/en/epaper-lp)



MB Building Kit System

[item24.de/en/epaper-mb](http://item24.de/en/epaper-mb)



Stairway/Platform System

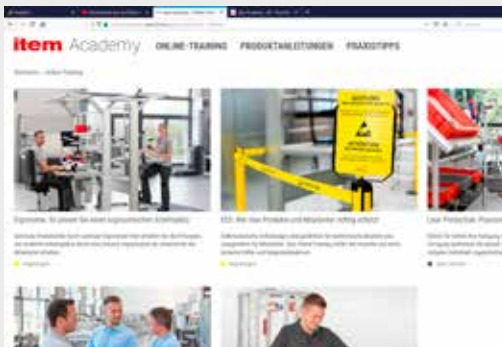
[item24.de/en/epaper-tp](http://item24.de/en/epaper-tp)



All the information you need at your fingertips

item product catalogues are available online as clearly laid out and convenient e-papers. Take your pick and get browsing!

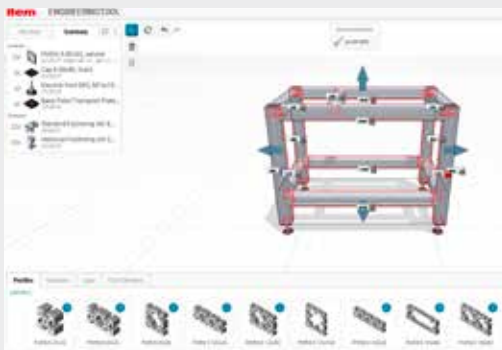
## Your head-start for know-how – the item online portfolio



### Further training just in time – the item Academy

Learn online – whenever, wherever and whatever you like! The item Academy offers online training, step-by-step guides and practical tips related to all aspects of mechanical engineering and the item product world. There is a huge range of offerings to choose from. The online learning platform presents wide-ranging specialist know-how on key issues such as lean principles and ESD safety and provides tricks and methods that can be put to use straight away. The Academy's content is available in multiple languages and is being constantly expanded.

[academy.item24.com](http://academy.item24.com)



### Plan fast and make the right decisions – the item online tools

You can count on us! The item online configurators and online tools such as the Deflection Calculator for profiles will save you a lot of time. State-of-the art planning aids for work benches and SystemMobiles make it much easier for you to configure the perfect bespoke solution. When it comes to automation, you can track down the ideal Linear Unit using item MotionDesigner®. What's more, the Query Assistant is ideal for helping you plan stairways and platforms with ease.

[item24.de/en/configurators](http://item24.de/en/configurators)



### Service and information around the clock – item24.com

item is always there for you! The item website provides all product details, including CAD data. You will also discover the very latest news and a whole range of example applications. Complete parts lists and 3D PDFs are the ideal basis for your own planning and access to a media library offers additional assistance. Find out about service offerings or get in touch with item – all at the click of your mouse.

[item24.com](http://item24.com)



## Alphabetical Register

<b>A</b>			
Assembly Set 8 PS 2-15 Rail	18		
<b>B</b>			
Bearing Carriage PS 2-15	18		
<b>C</b>			
Cable Duct, Economy	8		
Cap X 8 M45-36° Al	24		
Controller BL 1-04/C	13		
<b>D</b>			
Data Cable BL AKSC/10	13		
Data Cable BL AKSC/5	13		
Data Cable BL RSC/10	13		
Data Cable BL RSC/15	13		
Data Cable BL RSC/5	13		
Door Stay 8	26		
Drawer Unit Adapter Set E 600	5		
Drawer Unit Adapter Set E 750	5		
Drawer Unit S2 E	5		
Drawer Unit S3 E	5		
<b>F</b>			
Flexible Conduit, Economy	8		
<b>I</b>			
item Engineeringtool	34		
item MotionKit Linear Unit KGT 6 60 P20-1400 - BL	21		
item MotionKit Linear Unit KGT 6 60 P20-2600 - BL	21		
item MotionKit Linear Unit KGT 6 60 P20-600 - BL	21		
item Work Bench Configurator	32		
		<b>L</b>	
		Linear Guide Rail PS 2-15	18
		<b>P</b>	
		Parallel Drive Set 6 60 SE 60	20
		Power Cable BL SC1 04/10	13
		Power Cable BL SC1 04/15	13
		Power Cable BL SC1 04/5	13
		Profile X 8 80x80 M45-36° - XMS	24
		<b>R</b>	
		Robotics applications	28
		<b>S</b>	
		SystemMobile S61T	7
		<b>T</b>	
		Tables, Economy	10



Always there for you.

Always up to date: Our website at [item24.com](http://item24.com) offers further information on all the products and technologies that item supplies.

#### **Patents**

Any copying of protected products is a violation of these rights and, as such, shall be liable to compensation. Data and illustrations in this catalogue do not discharge the users from the obligation to carry out their own checks to determine whether the industrial property rights of third parties are infringed.

#### **Product liability**

item shall be liable, within the framework of the applicable legal provisions, for the promised characteristics of the products shown in this catalogue. Any claims for liability above and beyond such – in particular relating to products created by third parties using products included in this catalogue – are expressly excluded.

#### **Conditions of use**

The products in the item building kit systems are suitable for use in dry conditions and over the temperature range -20 °C to +70 °C, unless otherwise indicated. item must be consulted where products are to be used for applications outside these limits.

#### **Conformity with Directive 2011/65/EU ("RoHS")**

item has made a voluntary undertaking to refrain from using hazardous substances as defined in Directive 2011/65/EU in the products it sells, irrespective of their subsequent purpose which, in the majority of cases, does not fall under this Directive.

#### **Concept, design and realisation**

item Industrietechnik GmbH

#### **Photographs**

item Industrietechnik GmbH

Technical modifications and errors reserved.

All rights reserved. Use of texts and illustrations or reprints of any kind only permitted with prior written consent from item. This applies in particular to reproduction, translation or use in electronic systems.

**item** and the item claim are a registered trademark of item Industrietechnik GmbH.

© item Industrietechnik GmbH 2021



Your distribution and service partner

**item**

item Industrietechnik GmbH  
Friedenstrasse 107-109  
42699 Solingen  
Germany

Telephone +49 212 6580 0  
Fax +49 212 6580 310

info@item24.com  
item24.com

Your ideas are worth it.®