



The Lean Production Building Kit System

4

Comprehensive Catalogue



Build what lean production needs – the simple way





The Lean Production Building Kit System

Optimised for lean production! Aluminium Profile Tube System D30 is ideal for building dependable factory equipment:

- Fastening technology with a long-term hold
- Rapid assembly and modifications possible at all times
- ESD safety for sensitive workpieces

Efficient material handling and FIFO racks

Ensure production runs smoothly! Adapt your fixtures and equipment to containers and any workpieces:

- Wide range of roller conveyors and accessories
- Option of automatic loading and unloading
- Support for continuous improvement

Mechanical automation to take the strain

This is how to do more! Karakuri/LCA makes processes more efficient and takes the strain off staff:

- Use of gravity instead of drive technology
- Space-saving integration into benches and trolleys
- Improved ergonomics and support for the workforce

Work ergonomically everywhere

Integrated work benches in a few quick steps! Countless accessories help you design customised workstations:

- Clear organisation for tools and materials
- Construction of lightweight and mobile work benches
- Compatibility with other item building kit systems

Efficient transport trolleys and tigger trains

It's all about that material flow! Transport trolleys for intralogistics withstand day-to-day stresses and strains:

- The perfect castors and drawbars for every task
- The ideal solution for the goods being moved, whatever their size
- Material transport by hand or using tigger trains

Contents



Profiles and accessories

Profile Tubes D30	14
Profiles 6 D30	22
Tubes D30	24
Protective coverings	28
Accessories	27



Fasteners

Fastener D30	36
Ball Joint Fastener D30	49
Butt Fastener D30	51
Fastener D30, internal	54
End Connector	60
Adapter D30	60



Fastening elements

Threaded Inserts D30	72
Multiblock D30	77
Fastening elements for panels	78
Panel-Fixing Profiles	78
Table-Top Fastening Set D30	82
Spring Clip D30	85
Brackets D30	86



Floor elements

Castors	90
Swivel Locks	97
Flange Plate	99
Knuckle Feet	101



Material flow

Overview of item roller conveyors	105
Roller Conveyors St D30	122
Roller Conveyor St 60x24 D15	138
Roller Conveyors 6 40x40 E D30	146
Roller Conveyors 6 80x40 E D30	155
Roller Conveyor 8 D30	167
Conveyor Rollers TR30	179
Accessories	182



Low-cost automation – the mechanical solution

Plain Bearing	196
Pivot Bearing Set	199
Shock Absorber	205
Cable components	208
Rotary Latch System	211
Braking Roller Set	215
Tool Balancers	216
Release Unit	218



Lean work bench design

Container Profile	225
Hook and Holder Adapter	228
Monitor Mounting Joint VESA	230
Cable Guide Profile	231
Universal Holder	232
Labels	233



Technical data

Profiles and accessories	240
Roller conveyors	242
Mounting dimensions of Roller Conveyors St and Al	244
Complementary elements from the MB Building Kit System	246
Overview of popular components	247

Other item product lines

One principle, unlimited possibilities. The item product lines can be easily combined and used alongside each other. For instance, compatible components and adapters ensure that a frame built using profiles from the MB Building Kit System can be used with Profile Tubes from the Lean Production Building Kit System on a bench from the Work Bench System. Separate catalogues can be downloaded or ordered for the various product lines.

item reviews and extends its product range on a regular basis. You can always find all the latest information on new and existing products on our website: item24.com

MB Building Kit System

The item MB Building Kit System is the solution for all design and construction tasks involving factory equipment engineering. It can be used to build everything from simple frames to fully automated production lines. The modular components are the basis for profile frames, racks, enclosures, guards and electric and pneumatic solutions. Universal fastening and opening elements enable users to build doors, hatches and solid panels. Reliability and extendibility ensure that all constructions have a long useful life.



item24.de/en/epaper-mb

Work Bench System

The item Work Bench System makes manual production in industrial environments more productive. Everything centres on robust, height-adjustable work benches that can be extended with Uprights, Pivot Arms and picking solutions. Meanwhile, conveyor lines and SystemMobile supply trolleys help move materials from A to B. The end results are versatile and adaptable solutions for production, assembly and laboratory applications. The item Work Bench System is the first complete system to carry the AGR seal of approval for its end-to-end ergonomics.



item24.de/en/epaper-wbs

Automation System

The item Automation System comprises high-performance, ready-to-install Linear Units. An item linear motion unit® consists of a Linear Unit, Motor, Gearbox and Controller. When using selection and design software item MotionDesigner®, all components can be customised to suit your application precisely. The turnkey system is delivered in the length required and is ready for use straight away. This reduces overall costs significantly. A wide range of different drive elements etc. is available to suit all requirements.



item24.de/en/epaper-au



All the information you need at your fingertips

item product catalogues are available online as clearly laid out and convenient e-papers. Take your pick and get browsing!

Line XMS

Perfectly tailored machine cabins: Line XMS can be used to build the ideal machine frame for any working process with ease. The highly practical Line XMS profiles feature integrated functions such as cable conduits and special seal grooves for creating dust-tight, noise-absorbing doors. Frames can be built with four, six or eight sides. Process levels can be partitioned off to make servicing easy. The smooth outer surfaces are very easy to clean and meet the highest design standards.



item24.de/en/epaper-xm

Stairway / Platform System

The Stairway / Platform System is the specialist for building regulation-compliant bridges, safe maintenance platforms and all-round working platforms. As a result, staff can reach every corner of a machine or plant and work there safely. The solutions can be configured to suit the space available, with components used on a free-standing basis or seamlessly integrated into a machine frame. The end results are reliable and uniform stairways, guard-rails and platforms that satisfy all requirements in terms of ergonomics and safety.



item24.de/en/epaper-tp

Online tools

Better than thumbing through catalogues, putting together drawings and carrying out calculations, software and online tools from item help you engineer custom solutions in record time. Intelligent configurators know the components inside out and the online tools ensure that everything comes together perfectly – from design through optimisation to commissioning. Digital engineering speeds up planning and coordination thanks to personal project memories, parts lists, CAD data and 3D PDFs. The online tools include the Engineeringtool, item MotionDesigner® and the Work Bench Configurator.



item24.de/en/configurators

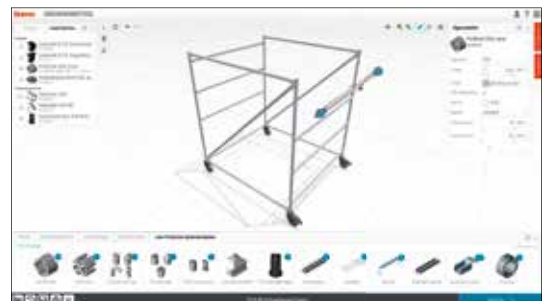
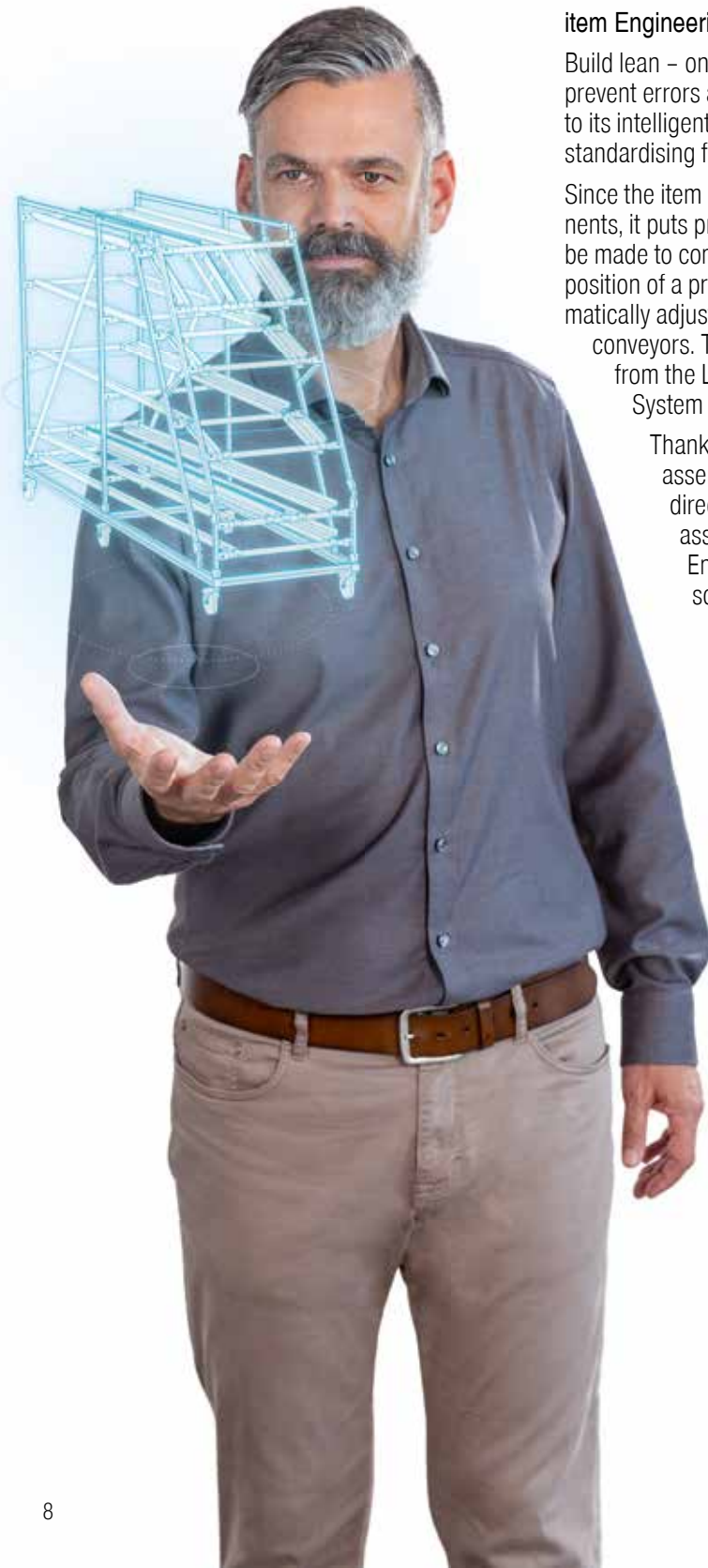
Lean production with the item online tools

item Engineeringtool

Build lean – on screen! The rules-based functions of the item Engineeringtool prevent errors and bring the benefits of 3D design to lean production. Thanks to its intelligent documentation, the online software also simplifies the task of standardising factory equipment.

Since the item Engineeringtool knows the technical properties of the components, it puts profiles together with the correct fasteners. Improvements can be made to constructions in the space of a few minutes. For example, if the position of a profile in a material supply rack is changed, the software automatically adjusts the length and angle of inclination on the connected roller conveyors. This saves time and prevents errors. Of course, components from the Lean Production Building Kit System and the MB Building Kit System can also be used together in the item Engineeringtool.

Thanks to a consistent digital process chain from design through to assembly, your solution is documented in full and can be ordered directly through the item Online Shop. Project data, parts lists and assembly guides are available worldwide. You can use the item Engineeringtool with a web browser, without having to install any software: item24.de/en/engineeringtool



item Academy

Just-in-time learning! The item Academy shares engineering expertise through online courses, step-by-step guides and explanatory videos relating to mechanical engineering and the item product world.

This free online learning platform offers in-depth training courses and know-how for immediate use, covering topics such as lean principles and value-stream mapping. The various modules and units differ in terms of how long they take to complete, their focus and technical detail. Registered item customers can choose from three different categories:

- Online training courses are ideal when you want to understand the basics and know how to put them into practice.
- Product guides are step-by-step guides that use pictures and videos to explain how to use item components. All the guides can be followed right at the work bench.
- Practical tips are tried-and-tested methods that offer simpler and more elegant solutions for every-day tasks. They include time-saving tricks and insider techniques from the professionals.

The content in the item Academy is available round the clock on the internet and in six languages:
academy.item24.com



iF product design award 2011

Quality and design

Nothing is more important than reliability. That's why designers put their trust in products from item. We place a great deal of value on quality management throughout every stage of production. All our components pass through a thorough programme of testing before they can move on from the design stage. Existing product lines are also subject to repeated testing.

For item, good design means utilising physical principles to find the optimum technical solution. The result is a range of products that are both elegant and functional. And that is why item regularly wins top design awards.





Profiles and accessories

Easy to install and boasting long-term reliability in use – the tubes and profiles of the Lean Production Building Kit System are made of lightweight and corrosion-resistant aluminium. The optimised design of Profile Tube System D30 delivers a high load-carrying capacity while the ability to reuse and augment parts ensures outstanding cost efficiency.

There are also profiles for special applications with equally special features such as heavy-duty profiles with increased bending strength, a tube made of 70 percent wood that is permeable to electromagnetic waves and an especially light carbon tube. Coloured profiles are also available alongside the natural metal versions and can be used to provide a clear indication of where one area starts and another finishes.

One thing all these profiles have in common is how easy they are to machine. Profiles and tubes can be cut to length on site without having to use any special tools. Fastening elements using external clamping technology compensate for tolerances and minor angular errors, thereby eliminating the need for further machining. Thanks to the versatile item fasteners, you can extend constructions at any time. As a result, the Lean Production Building Kit System supports the principle of continuous improvement.

Due to the long-term stability offered by the combination of fasteners and profiles, the Lean Production Building Kit System is also ideal for building transport trolleys and Karakuri/LCA applications.

Products in this section



Profile Tubes D30

- Profile contour ensures connections hold secure
- In six more colours

14



Anti-Torsion Blocks D30

- Position profiles in the desired orientation
- Prevent misalignment of accessories

16



Profile Tubes D30 heavy duty

- Reinforced wall for even more rigidity
- High load-carrying capacity and bending strength

17



Double Profile Tube D30-60

- Unbroken aluminium web
- Highly rigid thanks to two connected Profile Tubes

19



Profile Tube D40/D30

- Increased diameter
- For Karakuri/LCA applications

20



Profile Tube 8 D30

- Profile Tube with Line 8 groove
- Easy to connect components from the MB and Work Bench Systems

21



Profile 6 D30

- Up to four full Line 6 grooves
- Easy to connect accessories

22



Tube D30

- Smooth, strong aluminium tube without grooves
- Low dead weight

24



Tube KH D30

- 70 percent wood composite material
- Metal free and neutral to electromagnetic waves

25



Tube D30x1.5 CFRP

- Made from carbon
- Extremely rigid and light
- High-end look

26



Protective Profiles D30 R28-90°

- Permanently flexible protection that clips on
- Also with black/yellow warning markings

27



Protective Covers D30

- Shock-absorbing cladding for Fastener D30
- Retrofittable and leaves no trace when removed

28



Tube Protector D30

- All-round foam sheathing
- Simple protection against scratches

30



Cover Profile, Profile Tube D30

- Covers over the grooves of a Profile Tube D30
- For clean, closed surfaces

31



Tube End Caps D30

- Safe covering for cut edges
- Also suitable as impact buffer in Karakuri/LCA applications

32



Compatible Caps can be found alongside the relevant Profiles and Tubes.



Profile Tubes D30

- Profile contour with four undercut flanks
- Optimum connection options
- Available in six more colours



Optimised for lean production! It is the special geometry of Profile Tube D30 that makes this product so versatile. It features four smooth, undercut flanks, each of which is enveloped by a Fastener D30, resulting in a mechanically locked connection with a strong and lasting hold. Struts can be separately fastened to all four of the flanks.

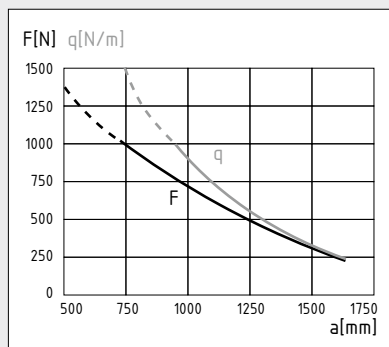
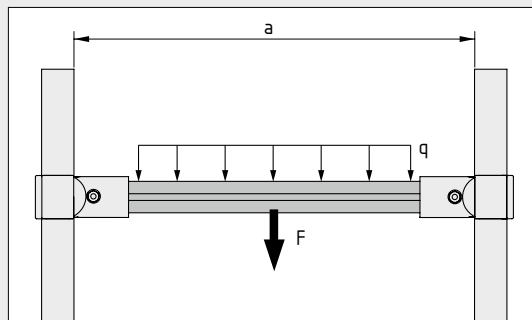
Profile Tubes D30 are made of durable and lightweight aluminium and can be easily cut to the desired length.

Profile Tubes D30 are also available in six more colours to help staff find their way around quickly and offer a striking way to differentiate between areas or components. The silk-matt powder-coating is abrasion resistant. The anodized Profile Tube D30 and the black powder-coated Profile Tube D30 are ESD safe.

Note: The anodized Profile Tube D30 can be ordered in three standard lengths: 3000, 4000 and 6000 mm. Alternatively, you can order custom cut-offs that have been sawn to size with millimetre precision.



Tip: Cap, Tube D30 can be used to cover over sharp outer edges for extra protection.



Permissible loads for constructions built with Tube D30.

The diagram shows the permitted load in relation to support span a . It is based on the maximum permissible deflection set by item, which is $1/100$ of the support span. When designing rack structures, please observe the limit values set out in the relevant statutory regulations (e.g. DGUV regulation 108-007 in Germany).



Profile Tube D30



Al, anodized

A [cm ²]	m [kg/m]	I _x [cm ⁴]	I _y [cm ⁴]	I _t [cm ⁴]	W _x [cm ³]	W _y [cm ³]	
1.97	0.53	1.71	1.71	2.44	1.14	1.14	
natural, cut-off max. 6000 mm							0.0.628.28
natural, 1 pce., length 6000 mm							0.0.628.17
natural, 1 pce., length 4000 mm							0.0.684.90
natural, 1 pce., length 3000 mm							0.0.660.44



Profile Tube D30

Al, powder-coated

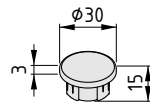
A [cm ²]	m [kg/m]	I _x [cm ⁴]	I _y [cm ⁴]	I _t [cm ⁴]	W _x [cm ³]	W _y [cm ³]	
1.97	0.53	1.71	1.71	2.44	1.14	1.14	
red similar to RAL 3020, cut-off max. 6000 mm							0.0.643.22
red similar to RAL 3020, 1 pce., length 6000 mm							0.0.643.14
yellow similar to RAL 1021, cut-off max. 6000 mm							0.0.643.23
yellow similar to RAL 1021, 1 pce., length 6000 mm							0.0.643.15
green similar to RAL 6024, cut-off max. 6000 mm							0.0.643.24
green similar to RAL 6024, 1 pce., length 6000 mm							0.0.643.16
blue similar to RAL 5017, cut-off max. 6000 mm							0.0.643.25
blue similar to RAL 5017, 1 pce., length 6000 mm							0.0.643.17
white similar to RAL 9016, cut-off max. 6000 mm							0.0.643.27
white similar to RAL 9016, 1 pce., length 6000 mm							0.0.643.19

Profile Tube D30 ESD



Al, powder-coated

A [cm ²]	m [kg/m]	I _x [cm ⁴]	I _y [cm ⁴]	I _t [cm ⁴]	W _x [cm ³]	W _y [cm ³]	
1.97	0.53	1.71	1.71	2.44	1.14	1.14	
black similar to RAL 9005, cut-off max. 6000 mm							0.0.643.29
black similar to RAL 9005, 1 pce., length 6000 mm							0.0.643.21



Cap, Tube D30

PA-GF
m = 4.6 g

grey similar to RAL 7042, 1 pce.	0.0.629.78
----------------------------------	------------

Cap, Tube D30 ESD



PA-ESD
m = 4.6 g

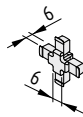
black similar to RAL 9005, 1 pce.	0.0.637.04
-----------------------------------	------------



Anti-Torsion Blocks 6 D30

- Fix the orientation of Profile Tubes D30 and Profiles 6 D30
- Prevent incorrect positioning of accessories
- No screws required

Stay in alignment: Anti-Torsion Blocks 6 D30 ensure that Profile Tubes D30 and Profiles 6 D30 are always oriented perfectly inside Fasteners D30 that use external clamping technology. This helps make sure accessories end up in the right place. Anti-Torsion Block 6 D30-45° makes it easier to connect diagonal struts at an angle of 45° by positioning the profile flanks perfectly.



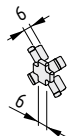
Anti-Torsion Block 6 D30

PA-GF

m = 1.4 g

grey similar to RAL 7042, 1 pce.

0.0.630.39



Anti-Torsion Block 6 D30-45°

PA-GF

m = 1.4 g

grey similar to RAL 7042, 1 pce.

0.0.630.40



Profile Tube D30-45° heavy duty Profile Tube D30 heavy duty

- Reinforced wall for excellent rigidity
- Space-saving way to boost rigidity in structures
- For 45° or 90° connections

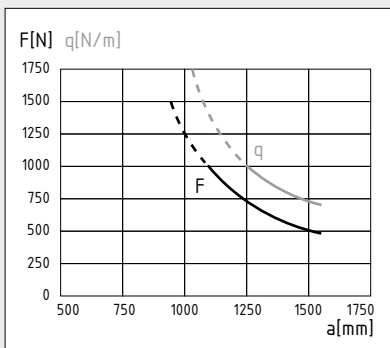
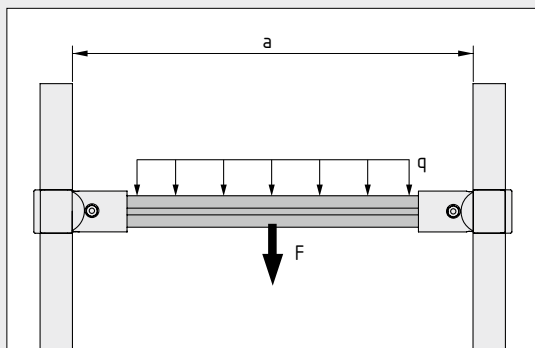
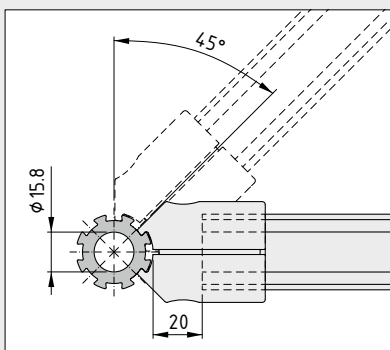


Exceptionally stable construction: Profile Tubes D30 heavy duty are used when there are demanding requirements for low profile deflection or increased rigidity. Their reinforced wall is also ideal for using high-strength Threaded Inserts. There are two designs to choose from:

Profile Tube D30 heavy duty (0.0.642.34) has four flanks and matches the contour of Profile Tube D30. A narrow channel running down the groove ensures the profile can be readily identified as a heavy-duty variant, even after it has been installed.

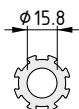
By contrast, Profile Tube D30-45° heavy duty (0.0.683.34) has a total of eight grooves. This means users can attach struts at an angle of 45° without requiring special fasteners. In fact, even 90° and 135° connections can be combined at the same intersection point. All fastening principles continue to apply in full. All fasteners and components can be used in the same way as usual.

Cap, Profile Tube D30 heavy duty can be fitted to both profile variants and is available in grey and black (ESD safe).



Permissible loads for constructions built with Profile Tube D30-45° heavy duty and Profile Tube D30 heavy duty.

The diagram shows the permitted load in relation to support span a. It is based on the maximum permissible deflection set by item, which is 1/100 of the support span. When designing rack structures, please observe the limit values set out in the relevant statutory regulations (e.g. DGUV regulation 108-007 in Germany).

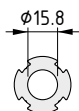


Profile Tube D30-45° heavy duty



Al, anodized

A [cm ²]	m [kg/m]	I _x [cm ⁴]	I _y [cm ⁴]	I _t [cm ⁴]	W _x [cm ³]	W _y [cm ³]
3.83	1.03	2.46	2.46	3.58	1.69	1.69
natural, cut-off max. 6000 mm						0.0.683.34
natural, 1 pce., length 6000 mm						0.0.683.04
natural, 1 pce., length 3000 mm						0.0.690.30

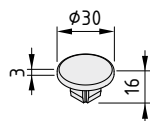


Profile Tube D30 heavy duty



Al, anodized

A [cm ²]	m [kg/m]	I _x [cm ⁴]	I _y [cm ⁴]	I _t [cm ⁴]	W _x [cm ³]	W _y [cm ³]
4.67	1.21	3.06	3.06	5.00	2.04	2.04
natural, cut-off max. 6000 mm						0.0.642.34
natural, 1 pce., length 6000 mm						0.0.642.33
natural, 1 pce., length 3000 mm						0.0.683.18



Cap, Profile Tube D30 heavy duty

PA-GF
m = 3.0 g

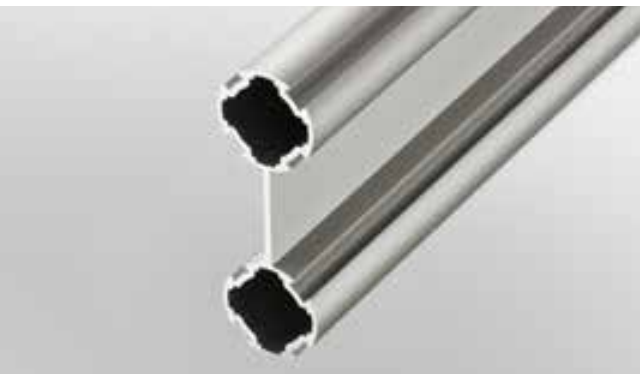
grey similar to RAL 7042, 1 pce.	0.0.648.68
----------------------------------	------------

Cap, Profile Tube D30 heavy duty ESD



PA-ESD
m = 3.0 g

black similar to RAL 9005, 1 pce.	0.0.649.35
-----------------------------------	------------



Double Profile Tube D30-60

- Highly rigid thanks to two connected Profile Tubes
- Unbroken aluminium web



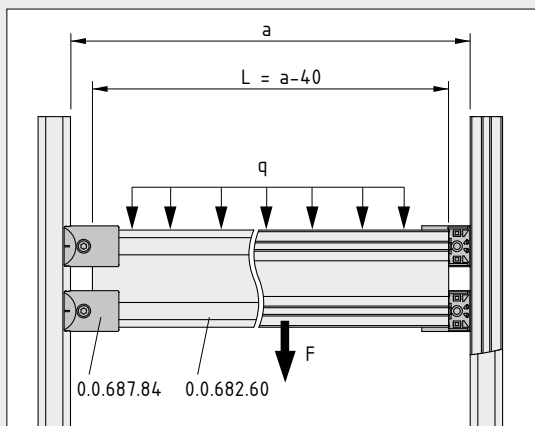
It takes two! Double Profile Tube D30-60 consists of two Profile Tubes D30 that are connected by an unbroken aluminium web. The web considerably increases rigidity compared to two Profile Tubes D30 that are not connected.

Double Profile Tube D30-60 is perfect for use as a long horizontal beam in racks. It can also be installed as a vertical strut or load-bearing rib under a worksurface.

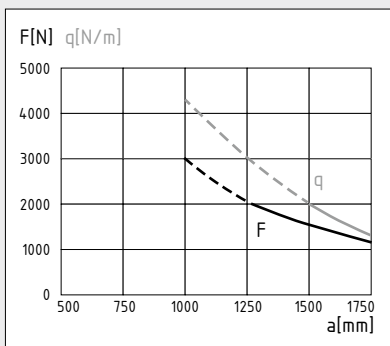
Note: Fastener D30 T1 (0.0.687.84), which has a narrow gap at the side, is used to connect the profile tube via its end face. Fastener D30, internal (0.0.669.52) can be used to create a smooth 90° connection that has a lower load-carrying capacity.



Tip: Cap, Tube D30 can be used to cover over sharp outer edges for extra protection.

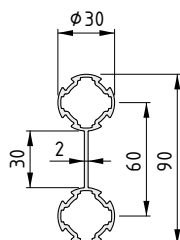


Calculating the necessary length of Double Profile Tube D30-60 when using Fastener D30 T1 and Fastener D30, internal.



Permissible loads for constructions built with Double Profile Tube D30-60.

The diagram shows the permitted load in relation to support span a . It is based on the maximum permissible deflection set by item, which is 1/100 of the support span. When designing rack structures, please observe the limit values set out in the relevant statutory regulations (e.g. DGUV regulation 108-007 in Germany).



Double Profile Tube D30-60

Al, anodized

A [cm ²]	m [kg/m]	I _x [cm ⁴]	I _y [cm ⁴]	I _t [cm ⁴]	W _x [cm ³]	W _y [cm ³]
4.54	1.22	39.37	3.43	4.95	8.75	2.29
natural, cut-off max. 6000 mm						0.0.682.60
natural, 1 pce., length 6000 mm						0.0.681.55






Profile Tube D40/D30

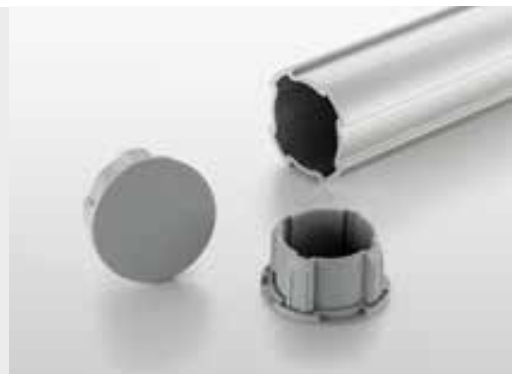
- Increased diameter
- For mechanical automation
- Uses Tube D30 as an axle



The specialist for mechanical automation: Profile Tube D40/D30 is used with two Plain Bearing Sleeves D40/D30 ESD as a moving bearing component. It is slotted over a Tube D30 or a Profile Tube D30.

Despite the increased diameter, the outer profile contour features flanks that are compatible with all Fasteners D30.

Plain Bearing Sleeve
D40/D30 ESD  196

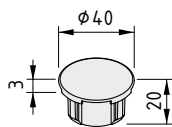


Profile Tube D40/D30



Al, anodized

A [cm ²]	m [kg/m]	I _x [cm ⁴]	I _y [cm ⁴]	I _t [cm ⁴]	W _x [cm ³]	W _y [cm ³]	
2.45	0.66	3.88	3.88	5.68	1.94	1.94	
natural, cut-off max. 6000 mm							0.0.666.63
natural, 1 pce., length 6000 mm							0.0.661.59



Cap, Profile Tube D40/D30

PA-GF
m = 8.3 g

grey similar to RAL 7042, 1 pce. 0.0.670.93

Cap, Profile Tube D40/D30 ESD



PA-GF
m = 7.8 g

black similar to RAL 9005, 1 pce. 0.0.670.94



Profile Tube 8 D30

- Profile Tube D30 with Line 8 groove
- Variable and versatile
- Connect to MB accessories without adapters



Double the connectivity – Profile Tube 8 D30 with an integrated Line 8 groove. The special geometry supports the connection of Fasteners D30 on three sides. A Line 8 groove is open to enable connection of components from the MB Building Kit System and the item Work Bench System.

Profile Tube 8 D30 saves on installation space and storage costs because accessories and profiles can be fastened to it without the need for an adapter. This means components from all building kit systems can be used very easily in one frame.

For example, Profile Tube 8 D30 is ideal for using Grab Containers 8 105x130 (0.0.664.35) on constructions built using D30 profiles.

Cap, Profile Tube 8 D30 seals the end-face of Profile Tube 8 D30. It protects against injuries. The cap is available in grey.

Note: Profile 6 D30 is available for connecting accessories that utilise a Line 6 groove.

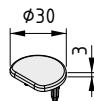


Profile Tube 8 D30



Al, anodized

A [cm ²]	m [kg/m]	I _x [cm ⁴]	I _y [cm ⁴]	I _t [cm ⁴]	W _x [cm ³]	W _y [cm ³]	
2.75	0.75	1.20	2.32	0.76	0.91	1.55	
natural, cut-off max. 6000 mm							0.0.663.94
natural, 1 pce., length 6000 mm							0.0.663.93
natural, 1 pce., length 3000 mm							0.0.678.20



Cap, Profile Tube 8 D30

PA-GF
m = 3.0 g

grey similar to RAL 7042, 1 pce.	0.0.666.95
----------------------------------	------------



Profiles 6 D30

- Versatile profile thanks to four Line 6 grooves
- Profile contour compatible with Fastener D30
- Available with closed grooves

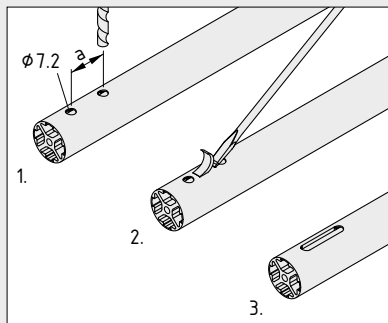


The all-rounder among the cylindrical profiles: Profile 6 D30 combines the strengths of a profile tube with those of a classic MB profile. It features four Line 6 grooves that can be used to connect accessories with T-Slot Nuts, and the core bore can be used for end-face connections. Fastener D30 attaches to the profile contour between the grooves and can also be affixed to the end face.

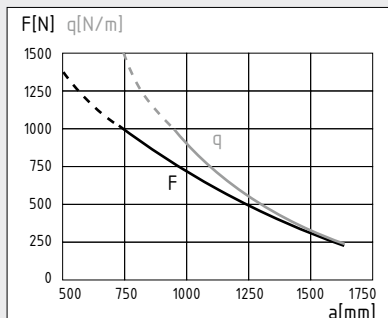
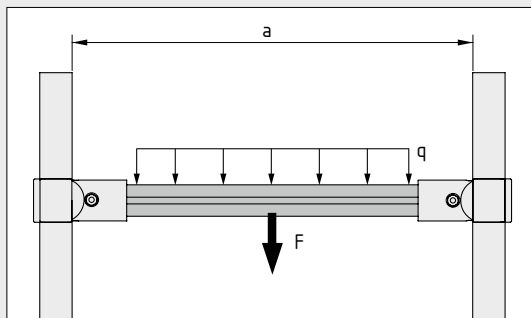
Profile 6 D30 can be ordered with up to four closed grooves to suit the relevant application. This produces constructions that are easy to clean, while a closed groove can also be opened up as required.

Profile 6 D30 can be combined with Tube D30 and Profile Tube D30 without any difficulty.

Note: Use Profile Tube 8 D30 (0.0.663.94) to connect accessories designed for a Line 8 groove.



Any covered grooves on a profile can be opened up as and when required. The opened-up section of the groove can be used in the usual way to fasten accessories or panel elements.



Permissible loads for constructions built with Profile 6 D30.

The diagram shows the permitted load in relation to support span a . It is based on the maximum permissible deflection set by item, which is 1/100 of the support span. When designing rack structures, please observe the limit values set out in the relevant statutory regulations (e.g. DGUV regulation 108-007 in Germany).



Profile 6 D30							ESD	6
Al, anodized								
A [cm ²]	m [kg/m]	I _x [cm ⁴]	I _y [cm ⁴]	I _t [cm ⁴]	W _x [cm ³]	W _y [cm ³]		
2.79	0.75	1.69	1.69	0.17	1.12	1.12		
natural, cut-off max. 6000 mm								0.0.616.46
natural, 1 pce., length 6000 mm								0.0.616.45



Profile 6 D30 1NO							ESD	6
Al, anodized								
A [cm ²]	m [kg/m]	I _x [cm ⁴]	I _y [cm ⁴]	I _t [cm ⁴]	W _x [cm ³]	W _y [cm ³]		
2.84	0.77	1.78	1.69	0.53	1.19	1.12		
natural, cut-off max. 6000 mm								0.0.615.09
natural, 1 pce., length 6000 mm								0.0.615.08



Profile 6 D30 2NO90							ESD	6
Al, anodized								
A [cm ²]	m [kg/m]	I _x [cm ⁴]	I _y [cm ⁴]	I _t [cm ⁴]	W _x [cm ³]	W _y [cm ³]		
2.88	0.78	1.79	1.79	0.98	1.19	1.19		
natural, cut-off max. 6000 mm								0.0.615.13
natural, 1 pce., length 6000 mm								0.0.615.11



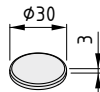
Profile 6 D30 2NO180							ESD	6
Al, anodized								
A [cm ²]	m [kg/m]	I _x [cm ⁴]	I _y [cm ⁴]	I _t [cm ⁴]	W _x [cm ³]	W _y [cm ³]		
2.88	0.78	1.88	1.69	0.89	1.25	1.15		
natural, cut-off max. 6000 mm								0.0.614.24
natural, 1 pce., length 6000 mm								0.0.614.23



Profile 6 D30 3NO							ESD	6
Al, anodized								
A [cm ²]	m [kg/m]	I _x [cm ⁴]	I _y [cm ⁴]	I _t [cm ⁴]	W _x [cm ³]	W _y [cm ³]		
2.94	0.79	1.89	1.79	1.48	1.26	1.19		
natural, cut-off max. 6000 mm								0.0.615.17
natural, 1 pce., length 6000 mm								0.0.615.16



Profile 6 D30 4NO							ESD	6
Al, anodized								
A [cm ²]	m [kg/m]	I _x [cm ⁴]	I _y [cm ⁴]	I _t [cm ⁴]	W _x [cm ³]	W _y [cm ³]		
2.98	0.80	1.89	1.89	2.11	1.26	1.26		
natural, cut-off max. 6000 mm								0.0.616.49
natural, 1 pce., length 6000 mm								0.0.616.48



Cap 6 D30	
PA-GF	
m = 2.1 g	
grey similar to RAL 7042, 1 pce.	0.0.634.45

Cap 6 D30 ESD	
PA-ESD	
m = 2.1 g	
black similar to RAL 9005, 1 pce.	0.0.637.03



Tip:
Use Anti-Torsion Blocks 6 D30 if it is important that the Profile 6 D30 is oriented precisely in Fastener D30. This will ensure everything is positioned correctly.



Tube D30

- Smooth strut with a low dead weight
- Firm hold in Fastener D30



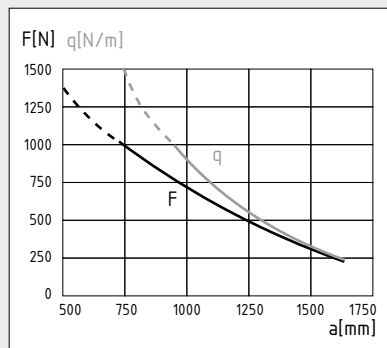
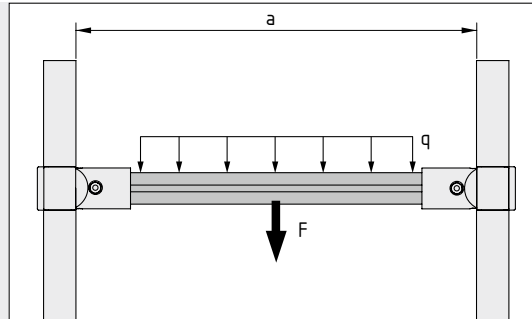
Light and universal: Aluminium Tube D30 is torsion resistant and can be very easily cut to the appropriate length.

Fasteners D30 are fitted to the end face or, using Tube Adapter D30 (0.0.630.61), can be attached at any point. Cap, Tube D30 is available in grey and black (ESD safe).

Tube D30 has a basic diameter of 30 mm, exactly the same as Profile Tube D30 and Profile 6 D30. This means all variants can be used together in one frame.

In Karakuri/LCA applications, Tube D30 can be used as a guide for Profile Tube D40/D30 (0.0.666.63) when combined with the item Plain Bearing Sleeve D40/D30 ESD (0.0.665.63) or Plain Bearing D40/D30 ESD (0.0.665.36).

Note: Tube D30 can be ordered in three standard lengths: 3000, 4000 and 6000 mm. Alternatively, you can order custom cut-offs that have been sawn to size with millimetre precision.



Permissible loads for constructions built with Tube D30.

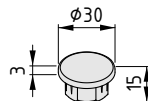
The diagram shows the permitted load in relation to support span a . It is based on the maximum permissible deflection set by item, which is 1/100 of the support span. When designing rack structures, please observe the limit values set out in the relevant statutory regulations (e.g. DGUV regulation 108-007 in Germany).



Tube D30

Al, anodized

A [cm ²]	m [kg/m]	I _x [cm ⁴]	I _y [cm ⁴]	I _t [cm ⁴]	W _x [cm ³]	W _y [cm ³]	
1.26	0.34	1.29	1.29	2.44	0.86	0.86	
natural, cut-off max. 6000 mm							0.0.628.56
natural, 1 pce., length 6000 mm							0.0.628.52
natural, 1 pce., length 4000 mm							0.0.685.05
natural, 1 pce., length 3000 mm							0.0.678.19



Cap, Tube D30

PA-GF

m = 4.6 g

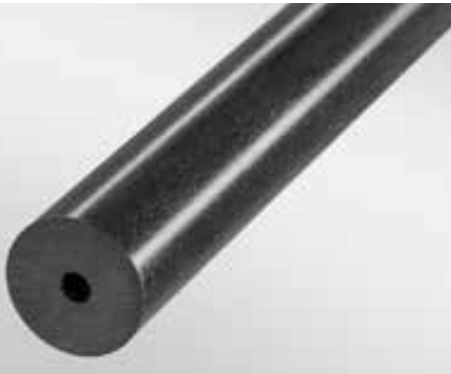
grey similar to RAL 7042, 1 pce. 0.0.629.78

Cap, Tube D30 ESD

PA-ESD

m = 4.6 g

black similar to RAL 9005, 1 pce. 0.0.637.04



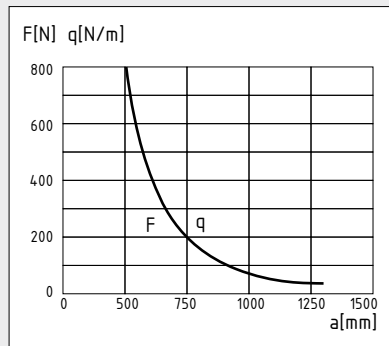
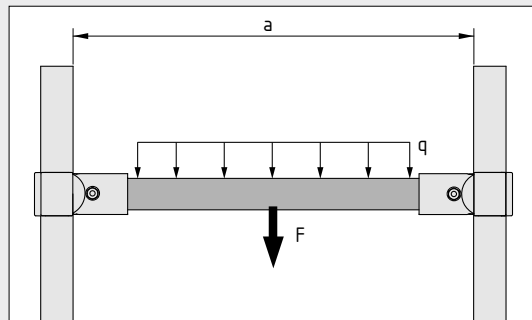
Tube KH D30x11.6

- 70 percent wood composite material
- Neutral to electromagnetic waves
- Metal-free

The alternative for all tube constructions that need to allow electromagnetic waves to pass through. Stable and made predominantly of renewable raw materials (>70 percent wood), this composite material is also suitable for users who need tubes that are easy to process and versatile. The wall thickness of 11.6 mm also means that panel elements can be screwed directly to the wall of the tube using wood screws.

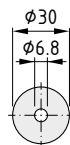
Fastener D30 and a Tube Adapter D30 are used to create connections with Tubes KH D30x11.6 in exactly the same way as for aluminium Tubes D30.

To create end-face connections, Button-Head Screw KH 8x55, TX30 (0.0.642.17) can be driven into the core bore of Tube KH D30 without the need for any preliminary machining.



Permissible loads for constructions built with Tube KH D30x11.6.

The diagram shows the permitted load in relation to support span a. It is based on the maximum permissible deflection set by item, which is 1/100 of the support span. When designing rack structures, please observe the limit values set out in the relevant statutory regulations (e.g. DGUV regulation 108-007 in Germany).



Tube KH D30x11.6

Wood-PP composite

A [cm ²]	m [kg/m]	I _x [cm ⁴]	I _y [cm ⁴]	I _t [cm ⁴]	W _x [cm ³]	W _y [cm ³]
6.71	0.77	3.97	3.97	7.94	2.65	2.65
anthracite, cut-off max. 6000 mm						0.0.643.71
anthracite, 1 pce., length 6000 mm						0.0.643.70



Cap, Tube KH D30

PA-GB
m = 2.3 g

black similar to RAL 9005, 1 pce.	0.0.649.31
-----------------------------------	------------



Tube D30x1.5 CFRP

- Tube D30 made from carbon
- Light and extremely strong
- High-end look

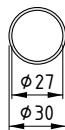
Minimum weight, maximum strength: Extremely torsion-resistant Tube D30x1.5 CFRP supports weight-optimised applications.

The high-strength carbon tube weighs around 40 percent less than a Tube D30 made of aluminium – which is already light to start with. Its low dead weight makes it ideal for building dynamic Karakuri/LCA assemblies. Structures mounted on handling devices and robots also benefit from the combination of low mass moment of inertia and high torsion resistance.



The carbon tube is fastened using Fastener D30 (0.0.623.56) and Tube Adapter D30 (0.0.630.61). It is not suitable for use with fasteners with internal clamping technology or Threaded Inserts.

Note: Health and safety guidelines for the machining of CFRP materials (e.g. DGUV regulations in Germany) must be taken into account when carrying out machining work. For perfect results, item recommends ordering tubes that have already been cut to size.



Tube D30x1.5 CFRP

CFRP

A [cm ²]	m [kg/m]	I _x [cm ⁴]	I _y [cm ⁴]	I _t [cm ⁴]	W _x [cm ³]	W _y [cm ³]	
1.34	0.24	1.37	1.37	2.73	0.91	0.91	
anthracite, cut-off max. 6000 mm						0.0.644.75	
anthracite, 1 pce., length 6000 mm						0.0.644.74	



Protective Profile D30 R28-90° Warning and Protective Profile D30 R28-90°

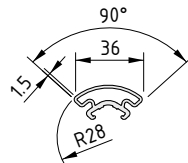
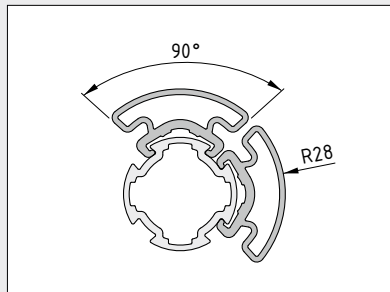
- Permanently elastic collision and scratch protection
- Simply clip into place
- Also with black/yellow warning markings




Customised protection for your workpieces! Protective Profiles D30 feature a chamber that deforms on impact before returning to its original shape. It can be used to protect transported goods from scratching and as collision protection for staff. Point loads don't result in permanent indentations.

Three designs are available. Protective Profile D30 R28-90° comes in grey and in an ESD-safe version in black. Warning and Protective Profile D30 R28-90° also features hatched black and yellow warning markings. This strikingly coloured protection helps highlight hazard areas such as exposed profiles and protect people and materials at the same time.

Protective Profiles D30 clip onto the flank of a Profile Tube D30 or Profile 6 D30 and resist the typical impacts of day-to-day working life. They envelop a quarter of the circumference of the profile tube, leaving the rest of it freely accessible. Four Protective Profiles offer all-round cover. If the structure needs to be modified, Protective Profiles can be removed without leaving any trace behind and then simply clipped back into place.



Protective Profile D30 R28-90°		
TPE		
m = 154.0 g/m		
grey similar to RAL 7042, 1 pce., length 2000 mm		0.0.667.15
Protective Profile D30 R28-90° ESD		
TPE-ESD		
m = 190.0 g/m		
black similar to RAL 9005, 1 pce., length 2000 mm		0.0.681.09
Warning and Protective Profile D30 R28-90°		
TPE		
Black and yellow stripes		
m = 212.5 g/m		
yellow, similar to RAL 1023, 1 pce., length 2000 mm		0.0.675.25



Protective Cover R28 for Fastener D30 Protective Cap D30-9 Protective Cap D30-9 R28-90°

- Entire frame clad in flush-mounted covering
- Scratch protection that can be retrofitted
- Remove at any time without leaving a trace



Completely safe on all sides! Protective Cover R28 for Fastener D30 ensures components won't get scratched against the fasteners on a rack or transport trolley. When combined with Protective Cap D30-9, Protective Cap D30-9 R28-90° and Protective Profiles D30, this solution forms a comprehensive system that provides the perfect protection for sensitive goods.

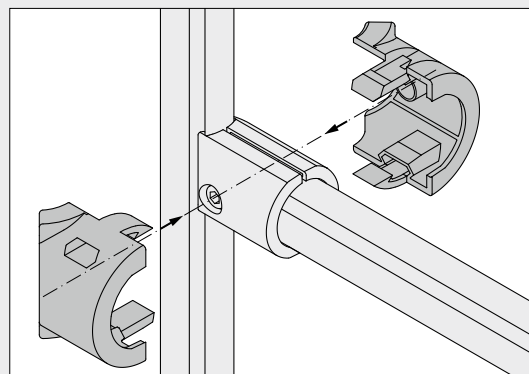
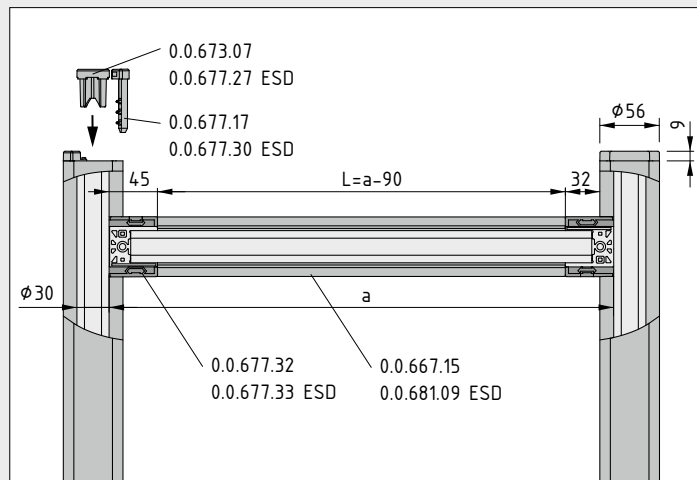
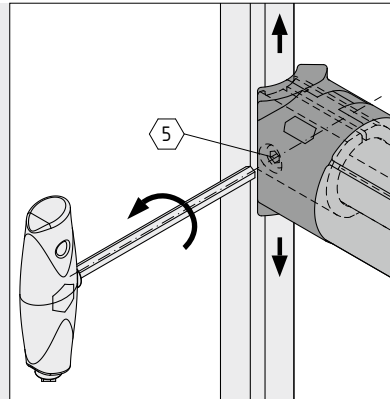
Elastic Protective Cover R28 for Fastener D30 completely encloses Fastener D30. It can be used with Protective Cap D30-9 and Protective Profiles D30 to fully encase a frame, ensuring all-round protection.

Protective Cover R28 for Fastener D30 comprises two half shells that clip together and hold securely in place. This means you can retrofit the Protective Cover to intersection points without having to use any tools, and can remove it at any time without leaving a trace. In contrast to improvised scratch protection solutions cobbled together using foam and adhesive tape, no waste is created.

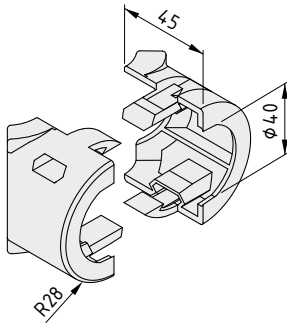
The end face of Profile Tubes is covered by elastic Protective Cap D30-9, which – unlike Cap, Tube D30 made from PA – has a damping function.

To achieve perfectly flush covering on a free-standing profile end, Protective Profiles D30 can be used in conjunction with Protective Cap D30-9 R28-90°. This compensates for the difference in height between the end of the Protective Profile and the top of Protective Cap D30-9. The Protective Cap is pressed into the end face of Protective Profile D30 to create a perfectly flush elastic covering around a Profile Tube D30.

To safeguard against uncontrolled electrostatic discharge, Protective Cover R28 for Fastener D30, Protective Cap D30-9, and Protective Cap D30-9 R28-90° are also available in ESD-safe versions. They can be used in combination with the ESD-safe variants of item Protective Profiles D30.



Protective Cover R28 for Fastener D30 comprises two half shells that can be removed without leaving a trace. To loosen a Fastener that is encased in a Protective Cover, simply push through the point marked with a dot.



Protective Cover R28 for Fastener D30

TPE
m = 30.0 g

grey similar to RAL 7042, 1 set

0.0.677.32

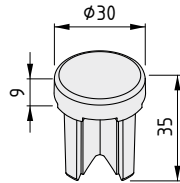
Protective Cover R28 for Fastener D30 ESD



TPE-ESD
m = 33.0 g

black similar to RAL 9005, 1 set

0.0.677.33



Protective Cap D30-9

TPE
m = 10.0 g

grey similar to RAL 7042, 1 pce.

0.0.673.07

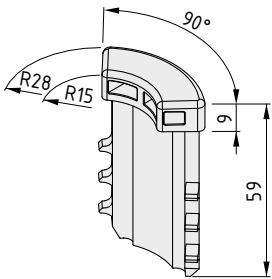
Protective Cap D30-9 ESD



TPE-ESD
m = 10.0 g

black similar to RAL 9005, 1 pce.

0.0.677.27



Protective Cap D30-9 R28-90°

TPE
m = 11.0 g

grey similar to RAL 7042, 1 pce.

0.0.677.17

Protective Cap D30-9 R28-90° ESD



TPE-ESD
m = 11.0 g

black similar to RAL 9005, 1 pce.

0.0.677.30



Tube Protector D30x13 Tube Protector D30 Fixing Clip

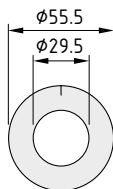
- Made from permanently elastic PE foam
- Universal impact and scratch protection
- Fixing Clip holds cut edges together

Scratch protection and impact absorption for all constructions: The 13 mm-thick, elastic Tube Protector D30x13 is made of PE foam. This closed-cell material protects workpieces, prevents injuries and can withstand prolonged exposure to mineral oil, acids and alkalis.

The Tube Protector can be installed either by sliding a (Profile) Tube D30 into it from the end, or by retrofitting it around the (Profile) Tube D30. To ensure a secure hold, a Tube Protector D30x13 that has been split open along its length should be held shut with the Fixing Clip.



Tip:
Tube Protector D30x13 can be cut to size easily using a knife.



Tube Protector D30x13

PE, foamed
m = 60.0 g/m

grey similar to RAL 7042, 1 pce., length 2000 mm

0.0.641.23



Tube Protector D30 Fixing Clip

PVC
m = 0.3 g

grey similar to RAL 7042, 1 pce.

0.0.654.04



Cover Profile, Profile Tube D30

- Creates a smooth, easy-to-clean surface
- Clips into the groove without screw fixings

A neat solution. Cover Profile, Profile Tube D30 keeps dirt out of the channel on a Profile Tube D30. Simply press it into place to create a closed, easy-to-clean surface. Thanks to the Cover Profile, users can get the best of both worlds – the advantages of both Tube D30 and Profile Tube D30.



Cover Profile, Profile Tube D30

PE-HD
m = 6.5 g/m

grey similar to RAL 7042, 1 pce., length 2000 mm

0.0.658.05



Tube End Caps D30

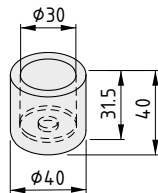
- Elastic covering for cut edges
- Steel washer stops tube perforating cap
- A cushioning stop for Karakuri/LCA applications



All-round safety: Tube End Cap D30 is the multifunctional cover for all (Profile) Tubes D30. It is a permanently elastic cover for the end face that acts as scratch protection for the floor and wall or as a simple impact buffer in Karakuri/LCA applications.

Tube End Cap D30 also encompasses the sides at the end of the profile. A steel washer stops the (profile) tube from breaking through the base of the cap.

Tube End Cap D30 is also available in an ESD-safe version in black.



Tube End Cap D30

Cap, NBR Sh 60 A
 Washer, St, bright zinc-plated
 m = 47.0 g

grey similar to RAL 7042, 1 set

0.0.643.96

Tube End Cap D30 ESD



Cap, NBR Sh 60 A ESD
 Washer, St, bright zinc-plated
 m = 47.0 g

black similar to RAL 9005, 1 set

0.0.644.65



Fasteners

A perfect hold in every scenario! The fastening technology in the Lean Production Building Kit System ensures ultimate reliability, maximum flexibility and low costs.

As befits the lean production philosophy, Fastener D30 is suitable for all 90° connections – even when several struts meet at one intersection point. This means struts can be added or moved at any time without having to change all the connections. Moreover, a small number of standard components are all that is needed for most projects, which reduces storage costs.

Special fasteners are available for special installation scenarios, such as for struts at an angle of 30°, 45° or 60°, internal fasteners for flush transitions between tube and fastener, and Ball Joint Fasteners for connections at any

angle in a three-dimensional space. In most cases, a 5 A/F key is the only tool needed to tighten all fastener types.

Fastening elements D30 are made of heavy-duty die-cast aluminium and exhibit a long-lasting hold. As a result, the fasteners do not need to be retightened, which is a costly and time-consuming process. High clamping forces on profile tubes ensure constructions are stable. Profile Tube System D30 thus offers the safety and reliability that is essential for daily use in an industrial environment.

The fasteners in the Lean Production Building Kit System automatically create a conductive contact with the various components. This ensures that electrostatic charges are safely dissipated. ESD safety is thus built in as standard.

Products in this section



Fastener D30

- Universal 90° connection with a long-lasting hold
- Also with integrated anti-torsion feature

36



Transverse Fastener D30

- For connecting two Profile Tubes D30 that cross each other at a 90° angle
- Can be retrofitted

39



Transverse Fastener D30-70 rotating

- Freely selectable angle
- Angles can be retrospectively adjusted
- Very compact design

41



Parallel Fastener D30

- Connects Profile Tubes D30 that run in parallel
- Reinforces structures

42



Parallel Clamp D30-80

- For building customised handles
- For parallel struts spaced 80 mm apart

44



Fastener D30-45°

- For diagonal struts in any length
- No profile machining required

45



Bracing Strut D30-90°

- Support for profiles under a heavy load
- Can be quickly added for additional stability

46



Angle Fastener D30

- Freely settable angle
- Compatible with all Fasteners D30

48



Ball Joint Fastener D30

- Complete freedom in three dimensions
- Profile connections in any orientation

49



Butt Fasteners D30

- Direct end-face connections
- Available in five angles: 30°, 45°, 60°, 90° and 180°

51



Fastener D30, internal

- Flush transition between tube and fastener
- Retrofit struts to existing constructions

54



Fastener D30-45°, internal

- Smooth transition, thanks to internal clamping technology
- Can be retrofitted

56



Fastener D30, internal, Connector M6-12

- End-face connection for Profile 6 D30
- Simple connection with system groove

57



Butt Fastener D30-90° R25, internal

- Rounded 90° connection
- Flush transition between tube and fastener

59



Tube Adapter D30

- Converts smooth Tubes into Profile Tubes
- Up to four fasteners can be connected

60



Compatible caps can be found on the relevant fastener pages.



End Connector 8 D30-90°

- Connects (Profile) Tubes D30 to a Line 8 groove
- Torsion resistant and stable

61



Adapter 8 D30

- A D30 profile contour for profiles with a Line 8 groove
- Connection to the MB Building Kit System

63



Adapter 8 80 D30

- Robust connection to Line 8 profiles
- Repositionable connection for Fastener D30

64



Adapter 6 30x30/D30

- A flat screw-fixing surface on a Profile 6 D30
- Ideal for mounting hinges

65



Tube Holder D30

- Secures Tubes D30 to a Line 6 or 8 profile groove
- Space saving and strong

66



Adapter D30/D28

- For connecting steel tubes
- Firm hold for tubes in Ø 28 and 28.6 mm

68

Fastener D30
Fastener D30 T1
Fastener D30 with Clamp Lever

- Universal 90° connection with a long-lasting hold
- Supplied preassembled for time-saving installation
- No additional profile machining necessary



The universal and secure 90° connection: Fastener D30 made of die-cast aluminium creates a mechanically locked connection with the contour of a Profile Tube D30 or Profile 6 D30.

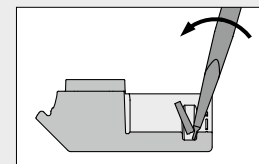
When the screw is tightened, the preassembled half shells of the fastener simultaneously envelop the inserted Profile D30 with external clamping technology. As a result, it takes just one step to create a strong connection that will hold tight for the long term and not exhibit any creep behaviour. A viewing gap reveals how far the profile reaches into the fastener.

Up to four Fasteners D30 can be connected to intersection points on a profile tube. No special fasteners are required! Plastic Anti-Torsion Blocks are available and can be used with Fastener D30 if required.

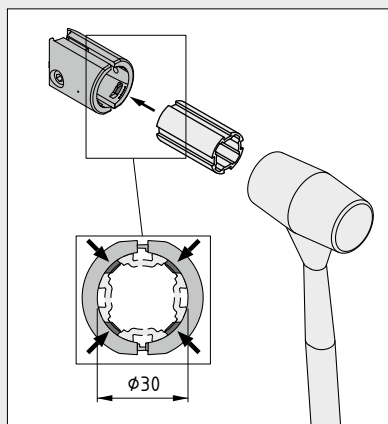
Fastener D30 T1 features narrow gaps at the side. These openings provide space for the web on Double Profile Tube D30-60 (0.0.682.60). Fastener D30 T1 can be used with all (Profile) Tubes D30 and has the same strong holding force as Fastener D30. Additional benefits: The gaps can be used to check how far the (profile) tube projects into the fastener.

Fastener D30 T1 also has an integrated and especially strong anti-torsion feature made of aluminium. This ensures Profile Tubes D30 are consistently oriented with absolute precision in right-angled structures. The anti-torsion feature can be broken off with a screwdriver, which is useful when fixing a Tube D30 in a Fastener D30 T1, for example.

Fastener D30 with Clamp Lever is intended for temporary structures and struts that can be moved quickly. The ergonomically shaped lever ensures the fastener can be tightened and released again quickly.

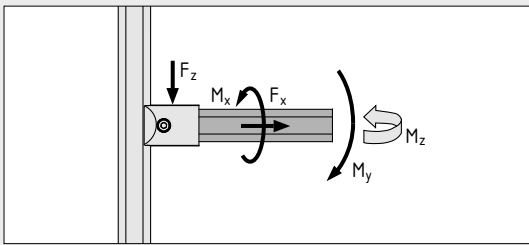
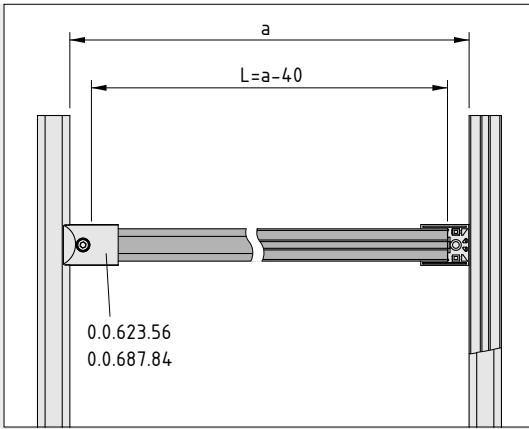


Use a slotted screwdriver to remove the anti-torsion features with ease.



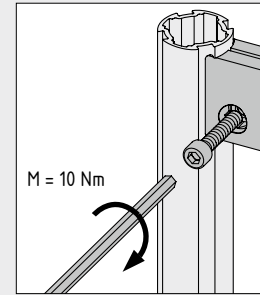
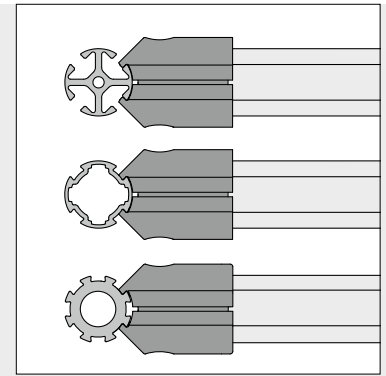
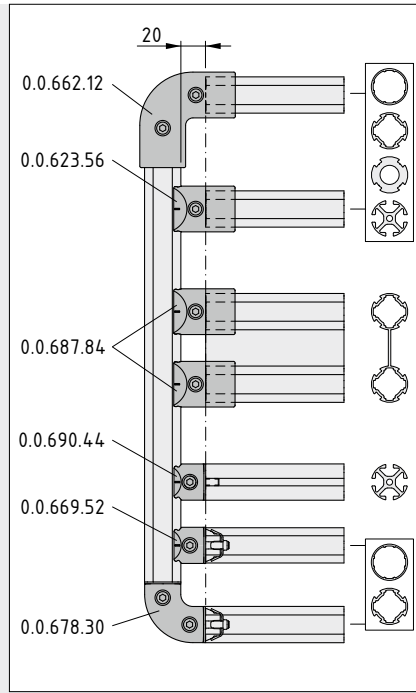
Another option for removing the anti-torsion features that does not involve dismantling the preassembled fastener halves is to break them off with a hammer and a section of profile.

Anti-Torsion Block
 6 D30  16

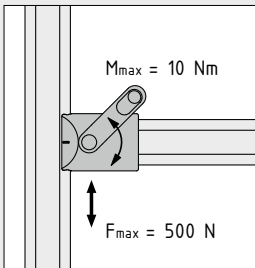


Fastener D30
 $F_x = 500 \text{ N}$
 $F_z = 500 \text{ N}$
 $M_x = 5 \text{ Nm}$
 $M_y = 50 \text{ Nm}$
 $M_z = 20 \text{ Nm}$

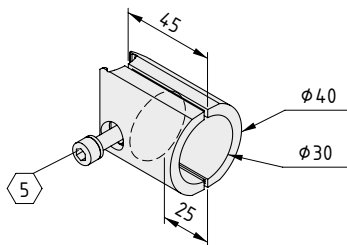
Fastener D30 T1
 $F_x = 500 \text{ N}$
 $F_z = 500 \text{ N}$
 $M_x = 20 \text{ Nm}$
 $M_y = 50 \text{ Nm}$
 $M_z = 20 \text{ Nm}$



Fasteners with external and internal clamping technology for 90° connections can be used together. The effective profile length is identical. The 20 mm spacing must be factored in.



Tip:
 Cap D30 R holds the nut in place in the Fastener when creating the screw connection. This makes assembly a great deal easier – even in awkward positions!



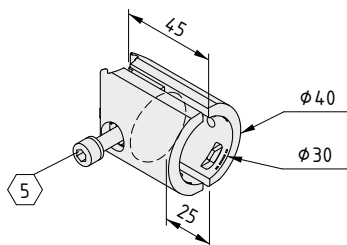
Fastener D30



Preassembled
 2 fastener halves, die-cast Al, natural
 Hexagon Socket Head Cap Screw similar to DIN 912 M6x29.4, St, bright zinc-plated
 Hexagon nut DIN 934 M6-I8I-5, St, bright zinc-plated
 $M = 10 \text{ Nm}$ $m = 105.0 \text{ g}$

1 pce.

0.0.623.56



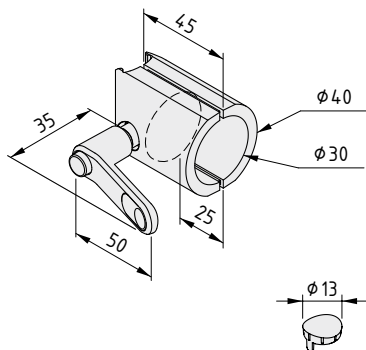
Fastener D30 T1



Preassembled
 2 fastener halves, die-cast Al, natural
 Hexagon Socket Head Cap Screw similar to DIN 912 M6x29.4, St, bright zinc-plated
 Hexagon nut DIN 934 M6-I8I, St, bright zinc-plated
 $M = 10 \text{ Nm}$ $m = 94.0 \text{ g}$

1 pce.

0.0.687.84

**Fastener D30 with Clamp Lever**

Preassembled
 2 fastener halves, die-cast Al, natural
 Clamp Lever Pi 50 M6x40
 Spacer sleeve D9.5/6.4-12, St, bright zinc-plated
 Hexagon nut DIN 934 M6-18l, St, bright zinc-plated
 m = 145.0 g

1 pce.

0.0.644.77

Cap D30 R

PA-GB
 m = 0.3 g

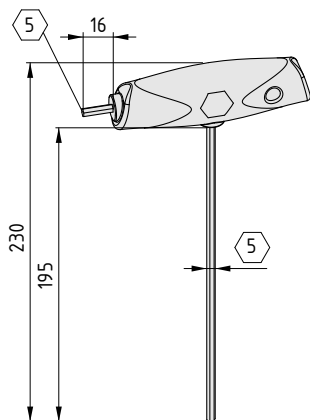
grey similar to RAL 7042, 1 pce.

0.0.624.11

**Key with T-Handle 5 A/F**

One for all! A single tool is usually all you need to fit any of the fasteners in Profile Tube System D30. Ball-Headed Key 5 A/F has one short and one long wrench, each made of high-quality chrome vanadium steel.

The ergonomic grip features an elastic TPE coating and ensures users can get a firm hold on the key with no pressure points when working with it for extended periods.

**Key with T-Handle 5 A/F**

Wrench, chrome vanadium steel, matt chrome-plated
 Plastic grip, TPE
 m = 91.0 g

1 pce.

0.0.026.29



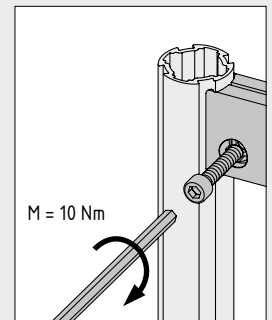
Transverse Fastener D30 Transverse Fastener D30-60

- For right-angled, crossing connections
- Available in two construction heights
- Preassembled and suitable for retrofitting

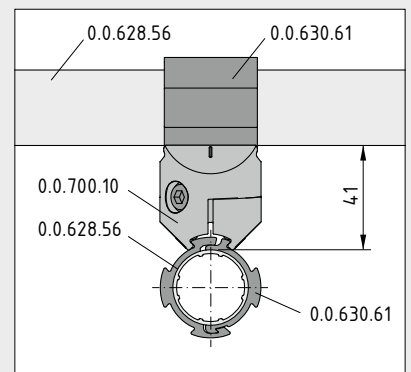
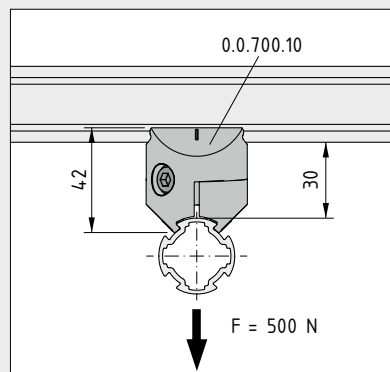
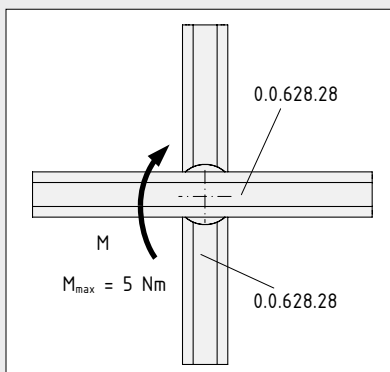
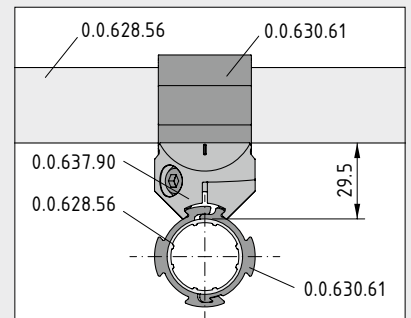
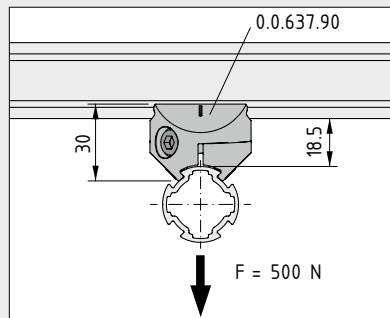


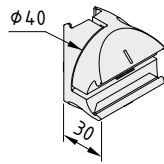
Transverse Fasteners D30 can be used to connect together two crossing Profile Tubes D30 at a 90° angle to each other. The distance between the centre lines through two connected profiles is 48.5 mm when using Transverse Fastener D30 (0.0.637.90) or 60 mm when using Transverse Fastener D30-60 (0.0.700.10). Transverse Fastener D30-60 replicates the modular dimension of Double Profile Tube D30-60 (0.0.682.60).

Transverse Fasteners are supplied preassembled. Simply put them in place and tighten them for a secure hold. When used to reinforce pre-existing structures, the fastener halves can also be fitted separately, pushed into position and then screwed together.



Profile Tubes D30 that are connected using Transverse Fastener D30 are spaced 18.5 mm apart. When using Tube Adapter D30 (0.0.630.61), this gap increases by 5.5 mm per side.

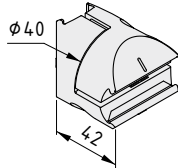


**Transverse Fastener D30**

Preassembled
 2 fastener halves, die-cast Al, natural
 Hexagon Socket Head Cap Screw similar to DIN 912 M6x29.4, St, bright zinc-plated
 Hexagon nut DIN 934 M6-I8I-8, St, bright zinc-plated
 Compression spring, St, stainless
 M = 10 Nm m = 65.3 g

1 pce.

0.0.637.90

**Transverse Fastener D30-60**

Preassembled
 2 transverse fastener halves, die-cast Al, natural
 Hexagon Socket Head Cap Screw similar to DIN 912 M6x29.4, St, bright zinc-plated
 Hexagon nut DIN 934 M6-I8I, St, bright zinc-plated
 Compression spring, St, stainless
 M = 10 Nm m = 101.9 g

1 pce.

0.0.700.10

**Cap D30 R**

PA-GB
 m = 0.3 g

grey similar to RAL 7042, 1 pce.

0.0.624.11



Transverse Fastener D30-70 rotating

- Freely selectable angle
- Angles can be retrospectively adjusted
- Very compact design

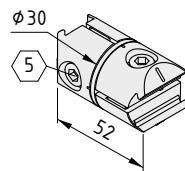
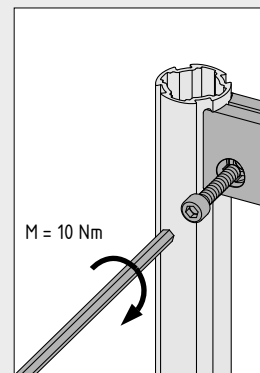
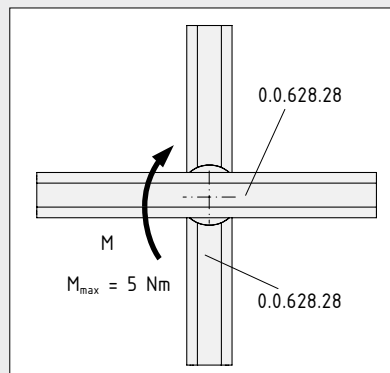
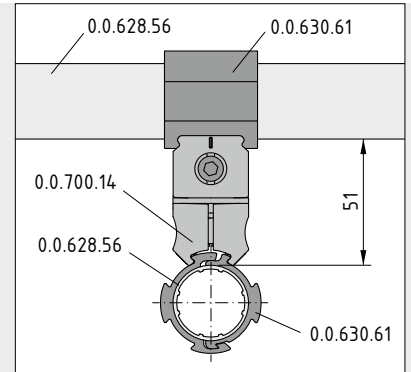
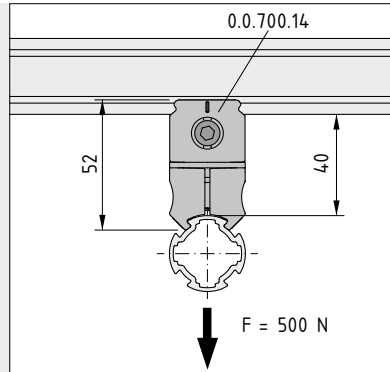


More freedom when connecting crossing profiles! Transverse Fastener D30-70 rotating creates a stable connection at any angle. This means you can build additional rigidity into a frame by incorporating crossing profiles as necessary. The mounting dimension of 70 mm makes the rotating Transverse Fastener very compact.

Angles can also be easily adjusted retrospectively, simply by loosening the clamping jaws on one side of the Fastener. This ensures you can quickly modify the gradient on a frame that is clamped in position within a construction.

Transverse Fastener D30-70 rotating is supplied preassembled. It can be used with any component that features the flank geometry of the Lean Production Building Kit System.

NB: Ball Joint Transverse Fastener D30 (0.0.683.69) is used to connect crossing struts in any three-dimensional arrangement.



Transverse Fastener D30-70 rotating



Preassembled
 4 internal Fastener D30 clamping jaws, die-cast Al, natural
 Double flange D30-10, St, bright zinc-plated
 2 Hexagon Socket Head Cap Screws DIN 912 M6x20, St, bright zinc-plated
 2 hexagon nuts DIN 934 M6-I8I, St, bright zinc-plated
 2 washers, St, bright zinc-plated
 M = 10 Nm m = 94.5 g

1 pce.

0.0.700.14



Parallel Fastener D30 Parallel Fastener D30-60 Parallel Fastener D30-60 with Clamp Lever

- Connect parallel profiles
- For reinforcing structures
- Available in two construction heights

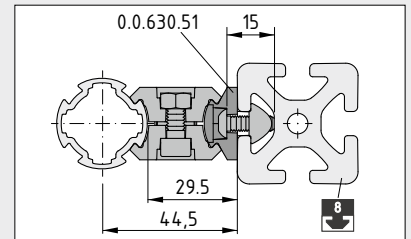
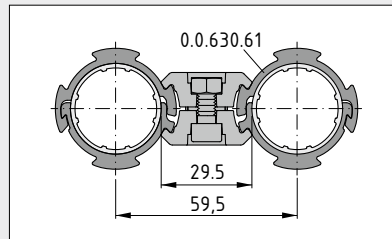
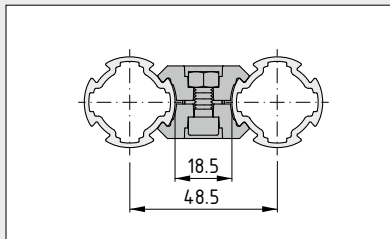
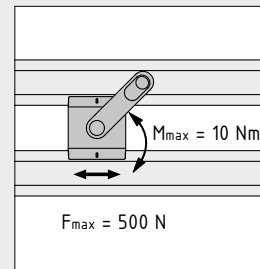


Parallel Fasteners are the basis for especially rigid structures. They connect two parallel Profile Tubes D30 to form one strong unit. They are also used to fasten attachments with a profile contour.

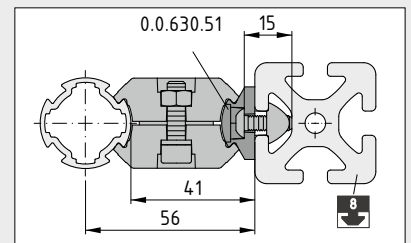
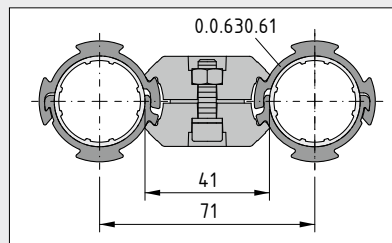
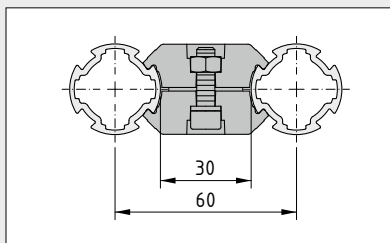
Compact Parallel Fastener D30 helps keep the gap between the profiles small, while the larger Parallel Fastener D30-60 produces a gap of 30 mm that fits perfectly with the modular dimension and with Double Profile Tube D30-60.

Parallel Fastener D30-60 with Clamp Lever can be used to build temporary structures. Its integrated lever means the fastener can be quickly tightened and then loosened again. It can also be used as a practical marker, ensuring the position of a strut or accessory part can be quickly found again when modifying structures.

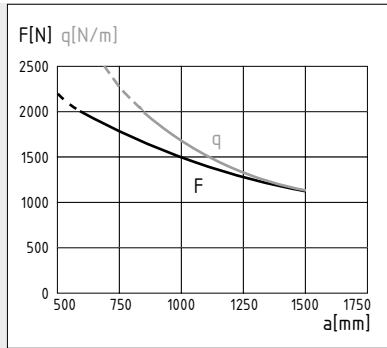
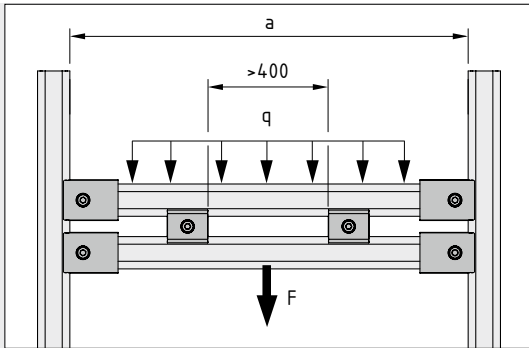
Parallel Fasteners are supplied preassembled and are ready for immediate use. If required, the screw connection of the fastener can be covered over with Cap D30 F.



Parallel Fastener D30 connects together Profile Tubes D30, Tubes D30 (with Tube Adapter D30), Profiles 6 D30 and Profiles 8 (with Adapter 8 D30).

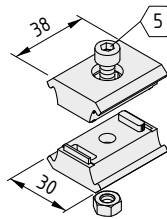
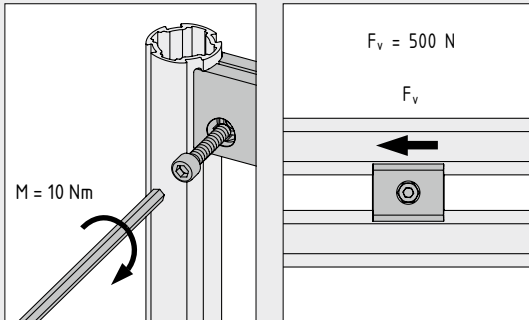


Parallel Fastener D30-60 and Parallel Fastener D30-60 with Clamp Lever connect Profile Tubes D30 and Profiles 6 D30 in the modular dimension. When using Tube Adapter D30 (0.0.630.61) and Adapter 8 D30 (0.0.630.51), the gap is larger.



Permissible loads for constructions that use a combination of Profile Tube D30 and Parallel Fastener D30.

The diagram shows the permitted load in relation to support span a . It is based on the maximum permissible deflection set by item, which is 1/100 of the support span. When designing rack structures, please observe the limit values set out in the relevant statutory regulations (e.g. DGUV regulation 108-007 in Germany).



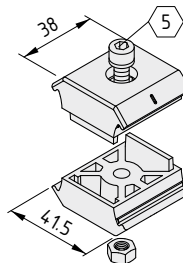
Parallel Fastener D30



Preassembled
2 parallel fastener halves, die-cast Al, natural
Hexagon Socket Head Cap Screw DIN 912-M6x16, St, bright zinc-plated
Hexagon nut DIN 934 M6-I8I-5, St, bright zinc-plated
M = 10 Nm m = 53.0 g

1 pce.

0.0.629.94



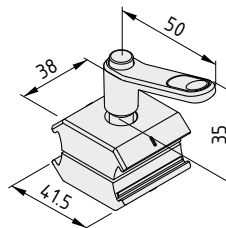
Parallel Fastener D30-60



Preassembled
2 parallel fastener halves D30-60, die-cast Al, natural
Hexagon Socket Head Cap Screw similar to DIN 912 M6x21, St, bright zinc-plated
Hexagon nut DIN 934 M6-I8I, St, bright zinc-plated
M = 10 Nm m = 76.0 g

1 pce.

0.0.682.21



Parallel Fastener D30-60 with Clamp Lever

Preassembled
2 parallel fastener halves D30-60, die-cast Al, natural
Clamp Lever Pi 50 M6x32
Spacer sleeve D9.5/6.4-12, St, bright zinc-plated
Hexagon nut DIN 934 M6-I8I, St, bright zinc-plated
m = 118.0 g

1 pce.

0.0.692.28



Cap D30 F

PA-GB
m = 0.2 g

grey similar to RAL 7042, 1 pce.

0.0.629.80



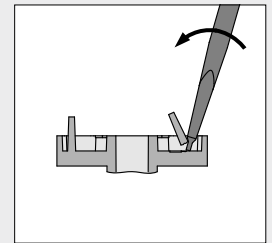
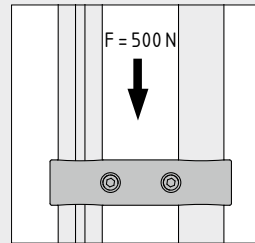
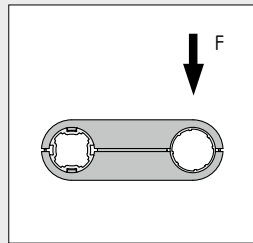
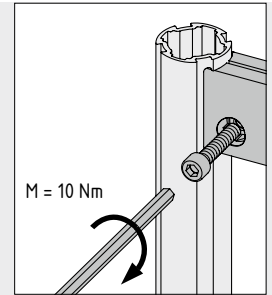
Parallel Clamp D30-80

- For building customised handles
- For parallel struts spaced at 80 mm



Parallel Clamp D30-80 connects (Profile) Tubes D30 to produce a distance of 80 mm between their centre lines. One of the openings on the clamp has an anti-torsion feature that can also be easily removed so that two Tubes D30 can be connected.

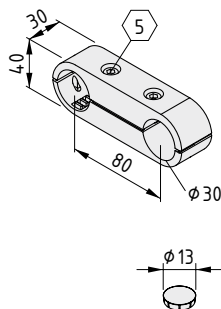
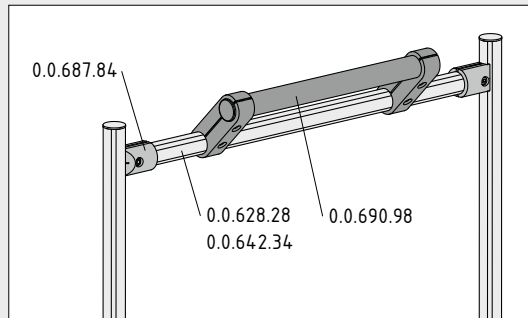
Parallel Clamp D30-80 can be used, for example, to design grips in any length made of any appropriate material.



F with anti-torsion feature = 1000 N
 F without anti-torsion feature = 500 N

Use a slotted screwdriver to remove the anti-torsion features with ease.

Handle D30 KH 300 192



Parallel Clamp D30-80



- 2 parallel clamp halves D30-80, die-cast Al, natural
- 2 washers, St, bright zinc-plated
- 2 Hexagon nuts DIN 934 M6-18I, St, bright zinc-plated
- 2 Hexagon Socket Head Cap Screws DIN 912 M6x30, St, bright zinc-plated
- m = 193.0 g

1 set

0.0.686.65

Cap D30 F

- PA-GB
- m = 0.2 g
- grey similar to RAL 7042, 1 pce.

0.0.629.80



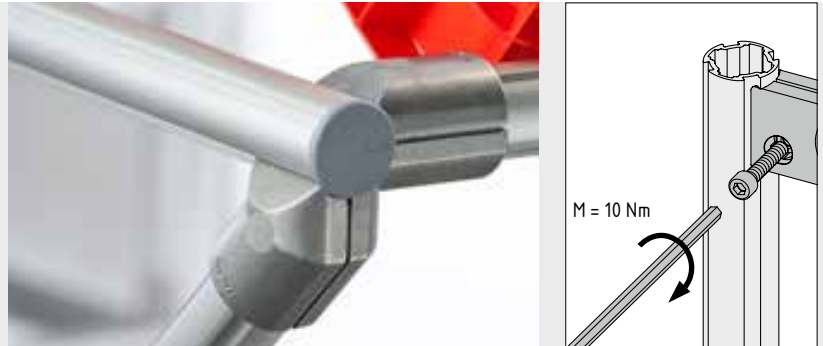
Fastener D30-45°

- A firm hold for diagonal struts
- Simple and accurate assembly with no profile machining



Diagonal struts in next to no time: Fastener D30-45° offers all the benefits of Fastener D30 but at an angle of 45°. Its die-cast aluminium casing creates a mechanically locked connection that has a long-lasting hold even under load.

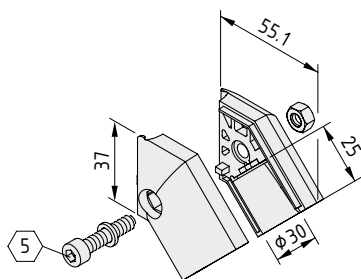
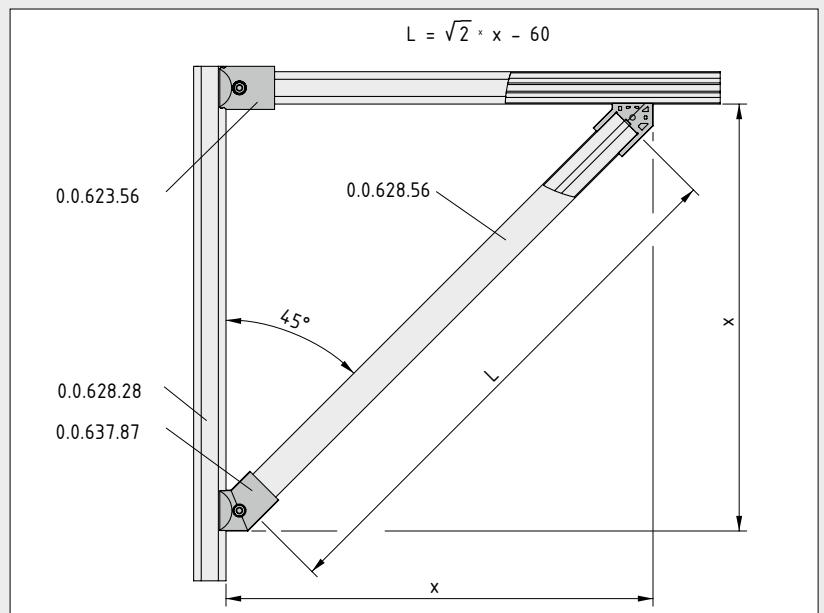
Fastener D30-45° is suitable for all (Profile) Tubes D30 and Profiles 6 D30. It does not require any additional machining or mitre cuts. Using external clamping technology, the fastener is ideal for quickly assembling truss or lattice-type structures and diagonal struts to accommodate torque loads.



Tip:
Cap D30 R holds the nut in place in the Fastener when creating the screw connection. This makes assembly a great deal easier – even in awkward positions!

Anti-Torsion Block
6 D30

16



Fastener D30-45°



Preassembled
2 fastener halves, die-cast aluminium, natural
Washer, St, bright zinc-plated
Hexagon Socket Head Cap Screw DIN 912-M6x29,4, St, bright zinc-plated
Hexagon nut DIN 934 M6-l8l, St, bright zinc-plated
M = 10 Nm m = 102.0 g

1 pce.

0.0.637.87

Cap D30 R

PA-GB
m = 0.3 g

grey similar to RAL 7042, 1 pce.

0.0.624.11



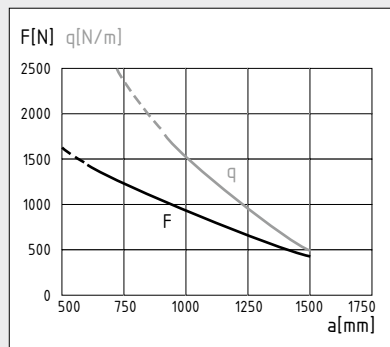
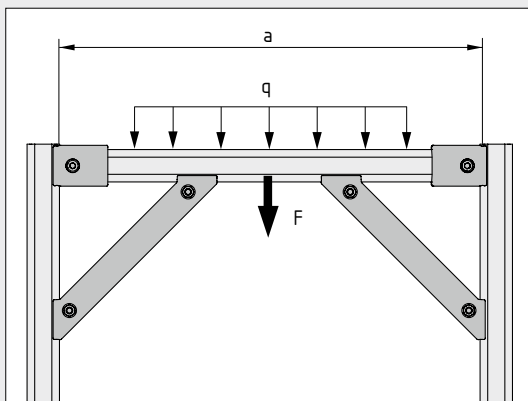
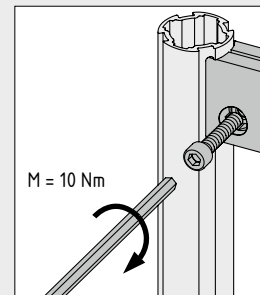
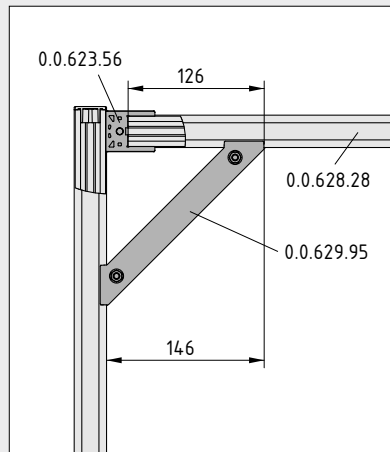
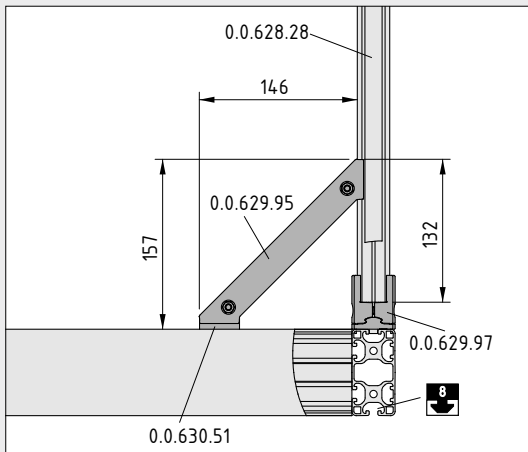
Bracing Strut D30-90°

- Reinforcement for load-bearing profiles
- Simple to retrofit



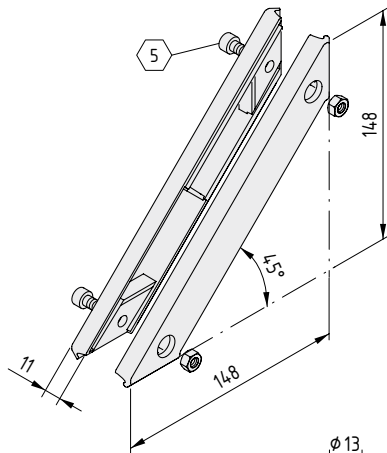
The partner to the 90° fastener when bending moments generate stress. The Bracing Strut is also easy to retrofit, can be screwed into place quickly and provides effective support for the connection point.

Caps D30 F can be used to cover over the screw connection of the Bracing Strut when necessary, making cleaning easy and ensuring your design looks its best. Four Caps D30 F can be used for each Bracing Strut.



Permissible loads for constructions that use a combination of Profile Tube D30 and Bracing Strut D30-90°.

The diagram shows the permitted load in relation to support span a . It is based on the maximum permissible deflection set by item, which is 1/100 of the support span. When designing rack structures, please observe the limit values set out in the relevant statutory regulations (e.g. DGUV regulation 108-007 in Germany).



Bracing Strut D30-90°



Preassembled
 2 bracing strut halves, die-cast Al, natural
 2 Hexagon Socket Head Cap Screws DIN 912 M6x16, St, bright zinc-plated
 2 Hexagon nuts DIN 934 M6-18I, St, bright zinc-plated
 M = 10 Nm m = 171.0 g

1 pce.

0.0.629.95



Cap D30 F

PA-GB
 m = 0.2 g

grey similar to RAL 7042, 1 pce.

0.0.629.80



Angle Fastener D30

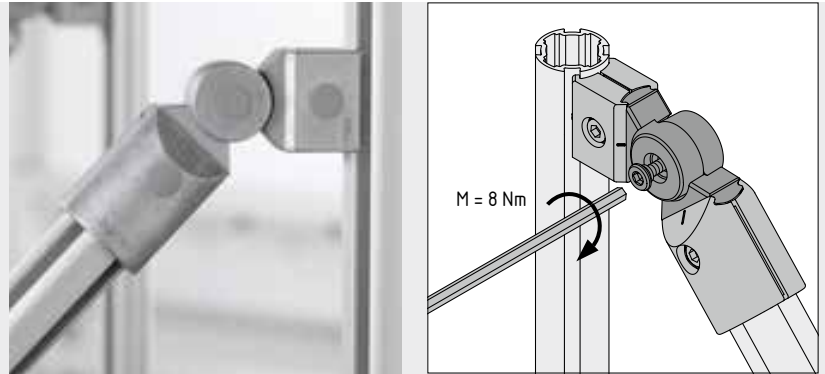
- Freely adjustable angle
- Suitable for use with other fasteners



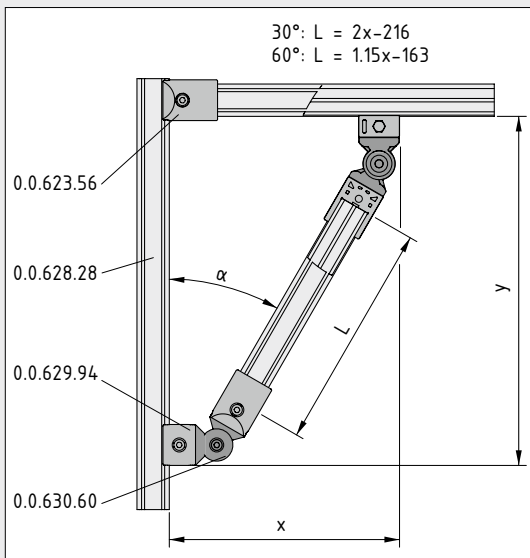
Connect (Profile) Tubes D30 at any angle in the form of either butt or side connections. That is the strength of Angle Fastener D30.

Its fastening surface matches the contour of Profile Tubes D30, making it a universal fastener. As a result, it can be combined with Fastener D30 or Parallel Fastener D30 to create whichever connection is required.

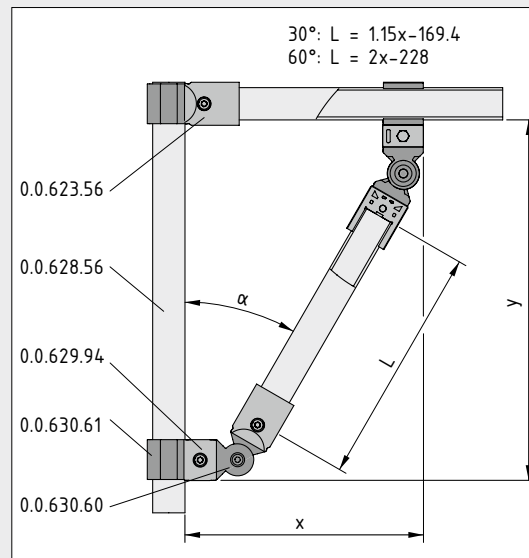
Caps D30 F are used to cover over the screw connection of the fastener when necessary, making cleaning easy and ensuring your design looks its best. Two Caps D30 F can be used for each Angle Fastener D30.



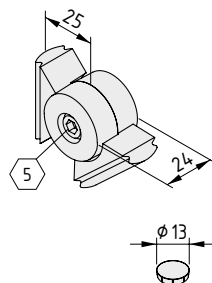
Profile Tube D30



Tube D30 with Tube Adapter



The length of connecting profile L is determined by the fastening elements that are used.



Angle Fastener D30



2 angle fastener halves, die-cast aluminium, natural
 Angle fastener screw, St, bright zinc-plated
 Angle fastener nut, St, bright zinc-plated
 M = 8 Nm m = 66.0 g

1 set

0.0.630.60

Cap D30 F

PA-GB
 m = 0.2 g
 grey similar to RAL 7042, 1 pce.

0.0.629.80

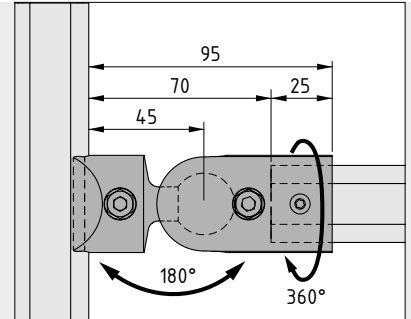
Ball Joint Fastener D30

- For fastening at any angle
- For side or end-face connection

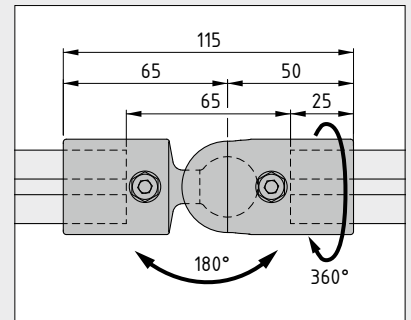


Turning on a pin. Ball Joint Fasteners are used to install struts at any angle in the flick of a wrist. A stable integral ball in the fastener produces this versatility. It enables users to twist and turn the fastener to the desired angle and fix it in place with a single screw.

The Ball Joint Fasteners can be turned through 180° in all directions. As a result, they are ideal for fastenings in any spatial arrangement.

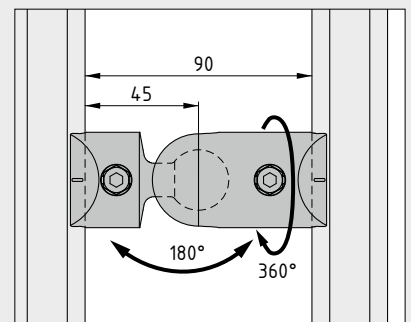


Ball Joint Butt Fastener D30 is used to connect Profiles D30 at any angle via their end faces.

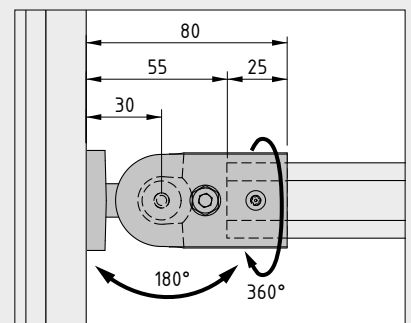


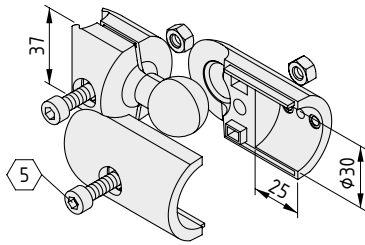
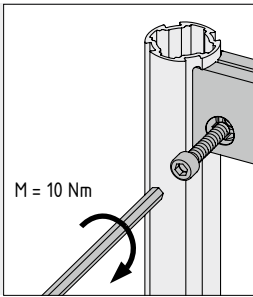
More freedom for your ideas! Ball Joint Transverse Fastener D30 allows you to position Profile Tubes D30 at any angle to each other. It provides a stable connection between crossing struts, such as those used to reinforce a frame. Crossing connections like these can be retrofitted extremely easily.

Note: Transverse Fastener D30 (0.0.637.90) and Transverse Fastener D30-60 (0.0.700.10) are available for connecting struts that cross each other at a 90° angle. Transverse Fastener D30-70 rotating (0.0.700.14) creates a crossing connection at any angle.



Ball Joint Fastener 8 D30 incorporates a flange plate that enables connection to a Line 8 Profile.

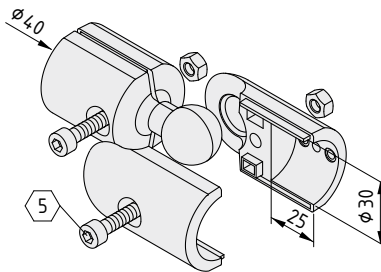


**Ball Joint Fastener D30**

Preassembled
 2 ball joint fastener halves, ball head, die-cast Al, natural
 2 ball joint fastener halves, ball socket, die-cast Al, natural
 2 Hexagon Socket Head Cap Screws similar to DIN 912 M6x29.4, St, bright zinc-plated
 2 Hexagon nuts DIN 934 M6-I8I, St, bright zinc-plated
 M = 10 Nm m = 205.0 g

1 pce.

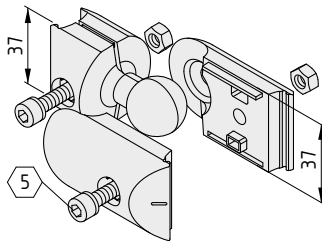
0.0.646.85

**Ball Joint Butt Fastener D30**

Preassembled
 2 ball joint fastener halves, ball head with profile fixture, die-cast Al, natural
 2 ball joint fastener halves, ball socket, die-cast Al, natural
 2 Hexagon Socket Head Cap Screws similar to DIN 912 M6x29.4, St, bright zinc-plated
 2 hexagon nuts DIN 934 M6-I8I, St, bright zinc-plated
 M = 10 Nm m = 219.0 g

1 pce.

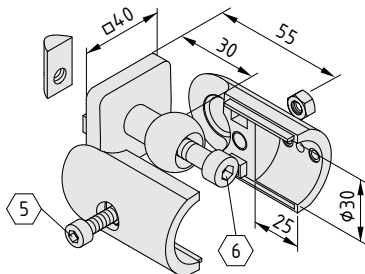
0.0.671.72

**Ball Joint Transverse Fastener D30**

Preassembled
 2 ball joint fastener halves, ball head, die-cast Al, natural
 2 ball joint transverse fastener halves, ball socket, die-cast Al, natural
 2 Hexagon Socket Head Cap Screws similar to DIN 912 M6x29.4, St, bright zinc-plated
 2 Hexagon nuts DIN 934 M6-I8I, St, bright zinc-plated
 M = 10 Nm m = 213.0 g

1 pce.

0.0.683.69

**Ball Joint Fastener 8 D30**

Partially preassembled
 Ball 40x40, die-cast Al, natural
 2 ball joint fastener halves, ball socket, die-cast Al, natural
 Hexagon Socket Head Cap Screw similar to DIN 912 M6x29.4, St, bright zinc-plated
 Hexagon Socket Head Cap Screw DIN 912 M8x40, St, bright zinc-plated
 Hexagon nut DIN 934 M6-I8I, St, bright zinc-plated
 T-Slot Nut 8 St M8, St, bright zinc-plated
 M = 10 Nm m = 190.0 g

1 set

0.0.650.98

**Cap D30 R**

PA-GB
 m = 0.3 g

grey similar to RAL 7042, 1 pce.

0.0.624.11

**Tip:**

A self-tapping screw, which is available as an optional accessory, can be screwed into the fastener half to provide additional hold.

Anti-Torsion Block
 6 D30





Butt Fastener D30

- Space-saving, direct end-face connections
- Available in five different angles
- Ideal for building FIFO racks

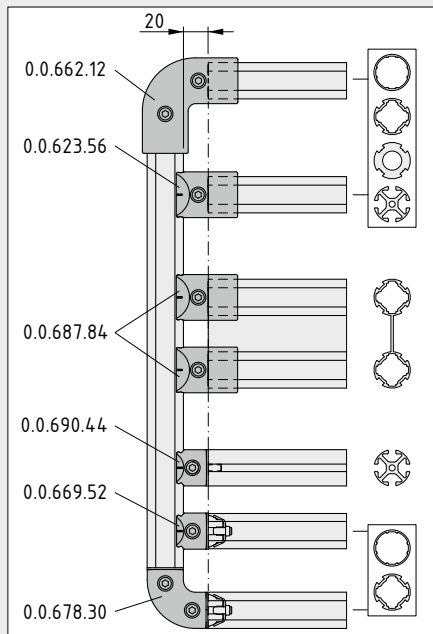
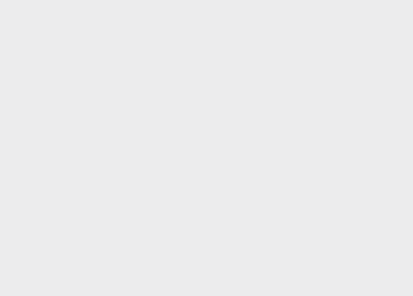


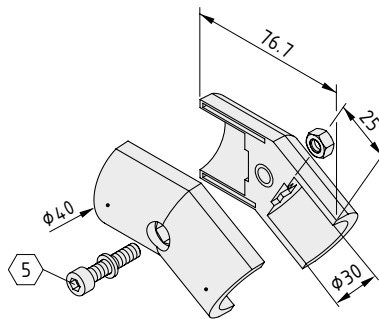
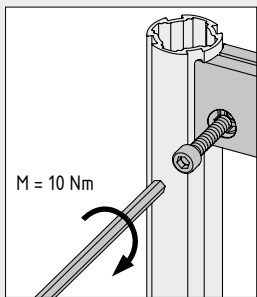
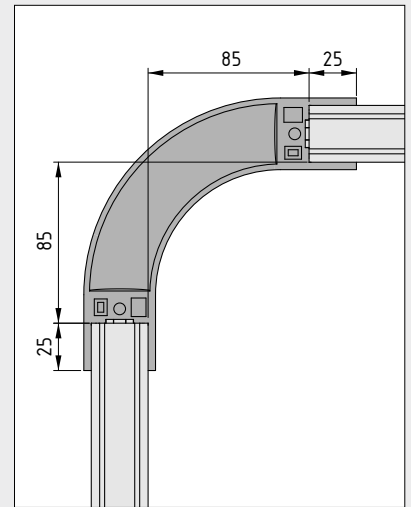
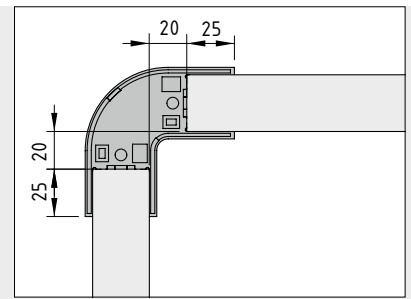
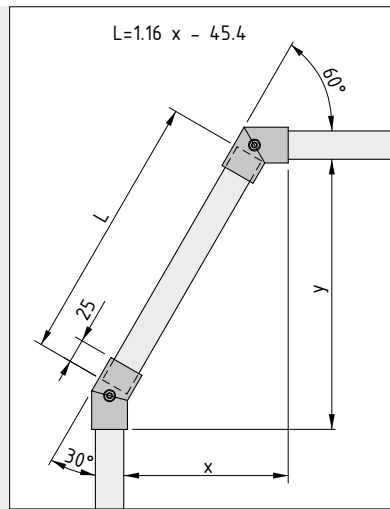
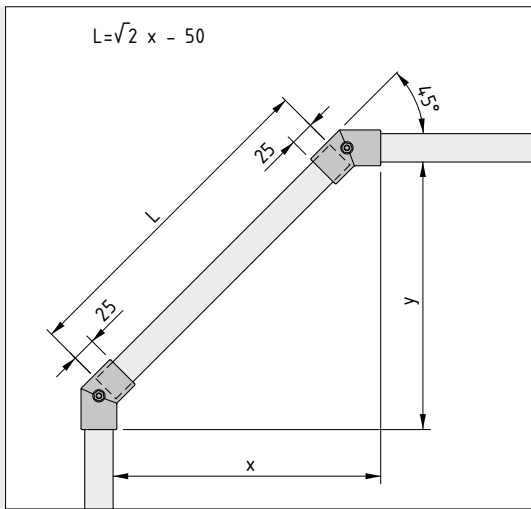
Butt Fasteners connect together (profile) tubes end to end to create rounded corners, taper frames and extend stretches. The stable fasteners come in 30°, 45°, 60°, 90° and 180° angles. They are ideal for building FIFO racks with ergonomic goods removal points.

Butt Fastener D30-180° allows you to extend any Profiles D30. Butt Fastener D30-90° gives you the choice of two radii for gently shaped outer corners.

Note: Ball Joint Fasteners D30 can be used to create supporting struts and profile connections at any angle.

Fasteners with external and internal clamping technology for 90° connections can be used together. The effective profile length is identical. The 20 mm spacing must be factored in.





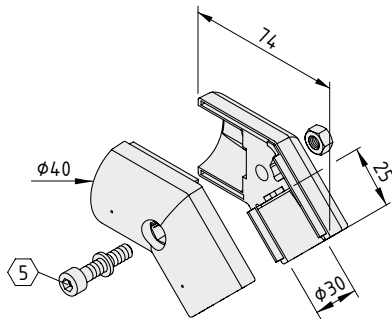
Butt Fastener D30-30°



Preassembled
 2 butt fastener halves, die-cast aluminium, natural
 Hexagon Socket Head Cap Screw similar to DIN 912-M6x29.4, St, bright zinc-plated
 Hexagon nut DIN 934 M6-I8I, St, bright zinc-plated
 M = 10 Nm m = 128.3 g

1 pce.

0.0.646.10



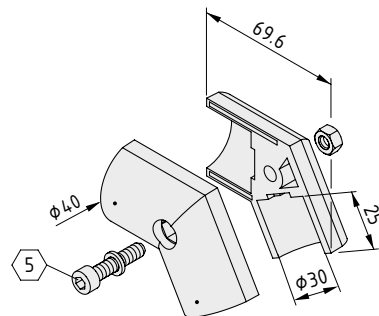
Butt Fastener D30-45°



Preassembled
 2 butt fastener halves, die-cast aluminium, natural
 Hexagon Socket Head Cap Screw similar to DIN 912-M6x29.4, St, bright zinc-plated
 Hexagon nut DIN 934 M6-I8I, St, bright zinc-plated
 M = 10 Nm m = 131.0 g

1 pce.

0.0.662.15



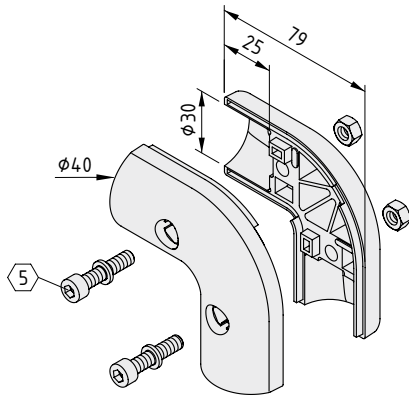
Butt Fastener D30-60°



Preassembled
 2 butt fastener halves, die-cast aluminium, natural
 Hexagon Socket Head Cap Screw similar to DIN 912-M6x29.4, St, bright zinc-plated
 Hexagon nut DIN 934 M6-I8I, St, bright zinc-plated
 M = 10 Nm m = 128.8 g

1 pce.

0.0.646.94

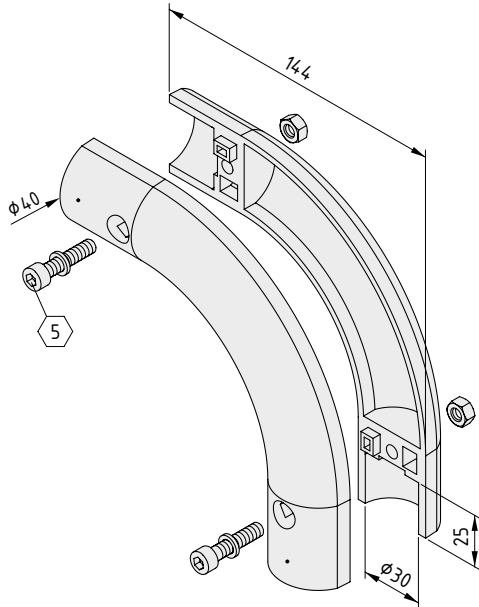


Butt Fastener D30-90° R25



Preassembled
 2 butt fastener halves, die-cast aluminium, natural
 Hexagon Socket Head Cap Screw similar to DIN 912-M6x29.4, St, bright zinc-plated
 Hexagon nut DIN 934 M6-I8I, St, bright zinc-plated
 M = 10 Nm m = 218.0 g

1 pce. 0.0.662.12

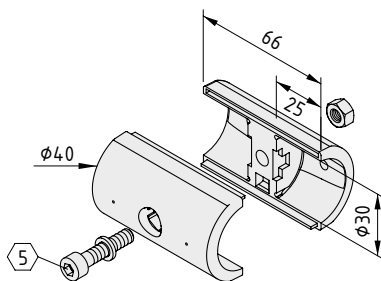


Butt Fastener D30-90°



Preassembled
 2 butt fastener halves, die-cast aluminium, natural
 Hexagon Socket Head Cap Screw similar to DIN 912-M6x29.4, St, bright zinc-plated
 Hexagon nut DIN 934 M6-I8I, St, bright zinc-plated
 M = 10 Nm m = 240.0 g

1 pce. 0.0.647.02



Butt Fastener D30-180°



Preassembled
 2 butt fastener halves, die-cast aluminium, natural
 Hexagon Socket Head Cap Screw similar to DIN 912-M6x29.4, St, bright zinc-plated
 Hexagon nut DIN 934 M6-I8I, St, bright zinc-plated
 M = 10 Nm m = 119.0 g

1 pce. 0.0.662.05

Anti-Torsion Block
 6 D30 16



Fastener D30, internal

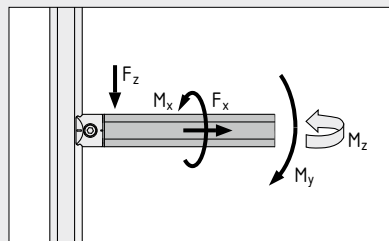
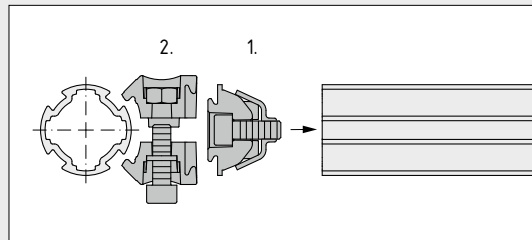
- Flush transition between tube and fastener
- Retrofit struts to existing constructions



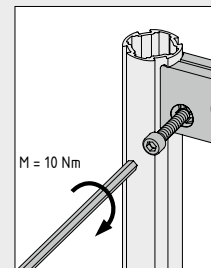
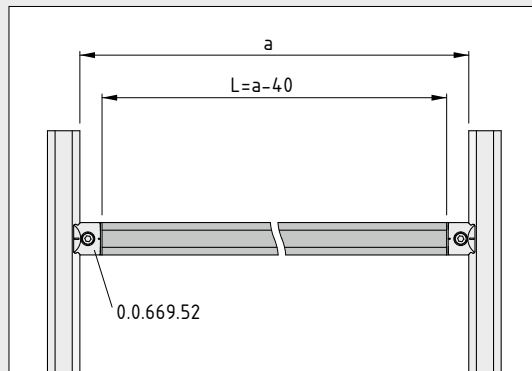
This is how you gain those all-important extra millimetres! Fastener D30, internal is contained largely within the (Profile) Tube D30 and creates a smooth 90° connection. This saves space – among other things so that the fastening bracket for a roller conveyor can be fitted right up against the vertical strut on a frame. What's more, panels can be fitted flush to a frame without any need for cut-outs in the corners.

The flush connection between Fastener D30, internal and a (Profile) Tube D30 also enhances the look of a construction. Moreover, it makes the fastener ideal for retrofitting into the tightest of spaces. This means struts can be quickly built into constructions to provide extra reinforcement.

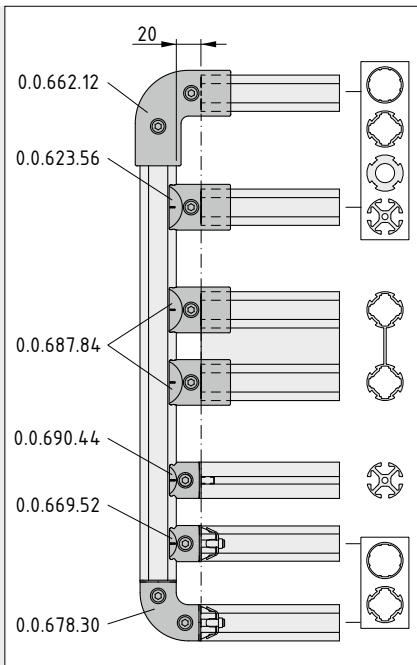
Cap D30 R15 holds the nut of Fastener D30, internal captive in the fastener half and stops dust and dirt accumulating in the depression.



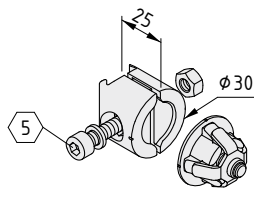
$F_x = 500 \text{ N}$
 $F_z = 500 \text{ N}$
 $M_x = 5 \text{ Nm}$
 $M_y = 20 \text{ Nm}$
 $M_z = 20 \text{ Nm}$



Calculating profile length L when using two Fasteners D30, internal. The profile dimension is identical to that when using two Fasteners D30 with external clamping technology.



Fasteners with external and internal clamping technology for 90° connections can be used together. The effective profile length is identical. The 20 mm spacing must be factored in.



Fastener D30, internal



Partially preassembled
 2 internal Fastener D30 clamping jaws, die-cast Al, natural
 Internal Fastener D30 tube insert, die-cast Al, natural
 Internal Fastener D30 claw, St, bright zinc-plated
 Hexagon Socket Head Cap Screw DIN 912-M6x16, St, bright zinc-plated
 Hexagon Socket Head Cap Screw DIN 912-M6x20, St, bright zinc-plated
 Hexagon nut DIN 934 M6-I8I, St, bright zinc-plated
 Washer, St, bright zinc-plated
 M = 10 Nm m = 59.0 g

1 set 0.0.669.52



Cap D30 R15

PA-GB
 m = 0.2 g

grey similar to RAL 7042, 1 pce. 0.0.675.13



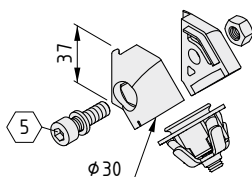
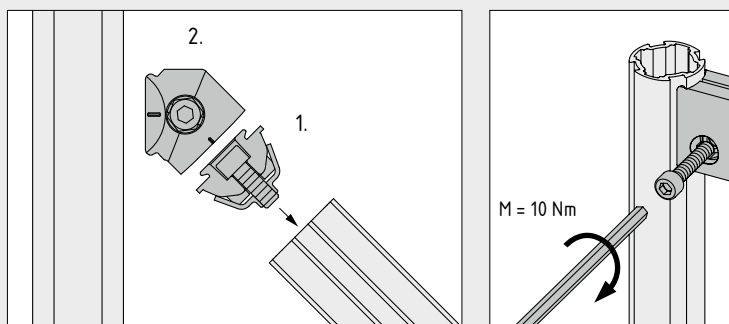
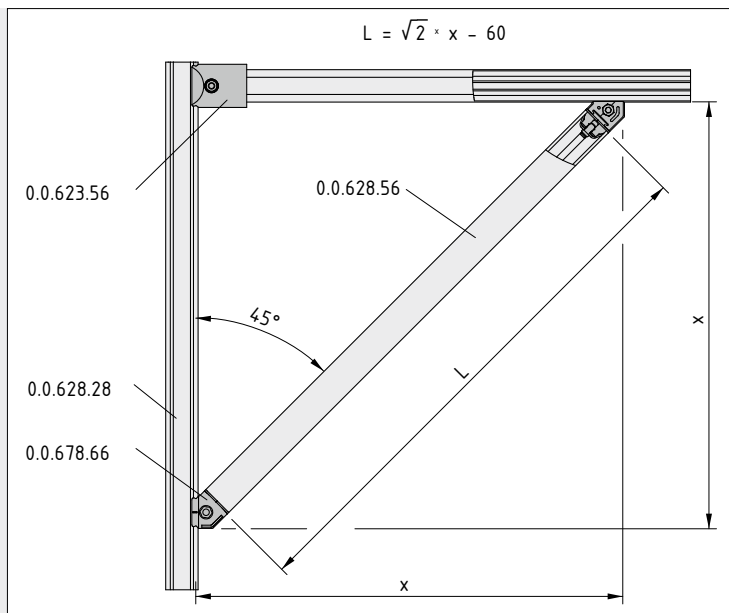
Fastener D30-45°, internal

- Smooth transition, thanks to internal clamping technology
- Can be retrofitted



For smooth and elegant diagonals! Fastener D30-45°, internal uses internal clamping technology from item to create a smooth transition between fastener and Profile Tube. On the one hand, it looks great. On the other hand, it also makes the fastener ideal for retrofitting into the tightest of spaces. This means additional struts can be quickly built into constructions to provide extra reinforcement.

Note: For diagonal struts that need to accommodate high loads, item offers Fastener D30-45° (0.0.637.87), which uses external clamping technology.



Fastener D30-45°, internal



Partially preassembled
 2 fastener halves, die-cast Al, natural
 Internal Fastener D30 tube insert
 Hexagon Socket Head Cap Screw M6x20, St, bright zinc-plated
 Hexagon nut DIN 934 M6-18I-5, St, bright zinc-plated
 M = 10 Nm m = 58.0 g

1 set

0.0.678.66



Fastener D30, internal, Connector M6-12

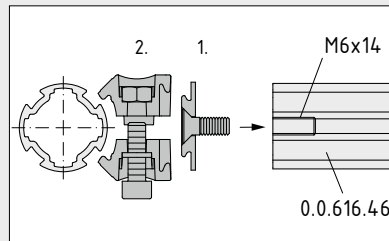
- End-face connection for Profile 6 D30
- Simple fastening to system groove
- Universal suitability for panels



It's the adapter that bridges divides! Thanks to its adapter flange, Fastener D30, internal, Connector M6-12 can be fastened to any elements that can be secured with the M6 Countersunk Screw included in the scope of supply. That includes profiles from the MB Building Kit System (with a Line 6 groove and up) and Profiles 6 D30, but also panel elements, floors and walls.

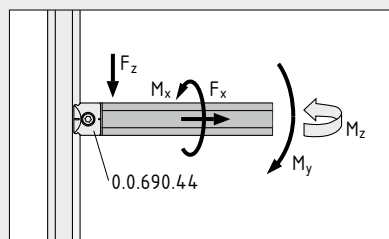
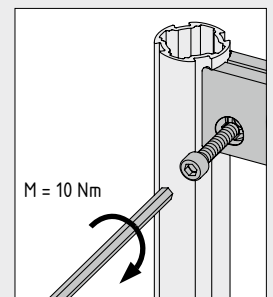
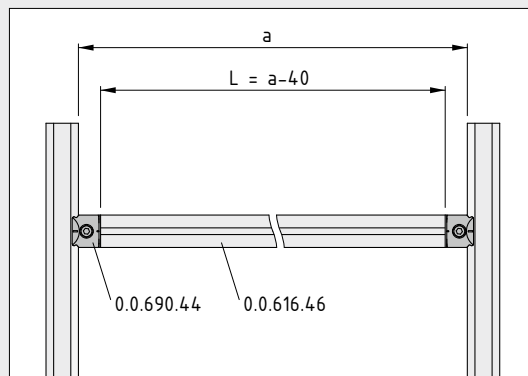
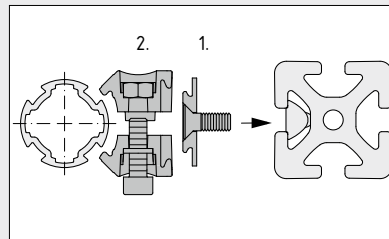
Fastener D30, internal, Connector M6-12 can be secured to the end face of a Profile 6 D30 by drilling an M6 thread into the core bore.

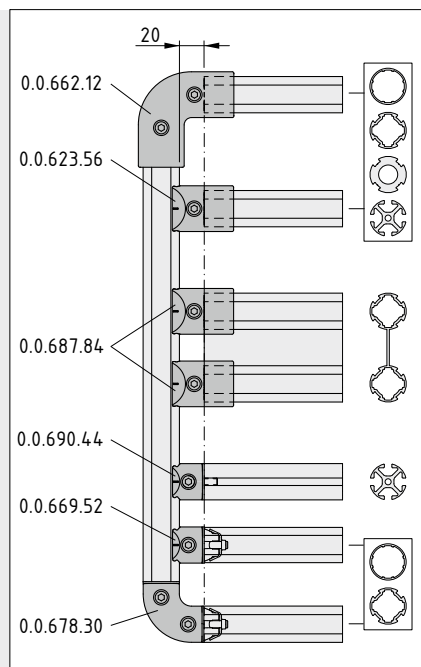
The internal clamping technology from item creates a smooth, elegant transition to a Profile 6 D30 that is secured to the Fastener via its end face. This frees up those few centimetres that make all the difference when Karakuri/LCA applications need to use the entire length of a strut, for example.



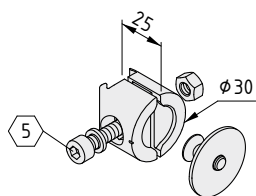
Fitting Fastener D30, internal, Connector M6-12 to a profile with a system groove:

1. First, screw the adapter flange to a suitable T-Slot Nut M6.
2. Next, position the Fastener on the Profile Tube D30 and the adapter flange and tighten.





Fasteners with external and internal clamping technology for 90° connections can be used together. The effective profile length is identical. The 20 mm spacing must be factored in.



Fastener D30, internal, Connector M6-12



2 internal Fastener D30 clamping jaws, die-cast Al, natural
 Flange D30/D6-5, St, bright zinc-plated
 Washer, St, bright zinc-plated
 Hexagon nut DIN 934 M6-I8I, St, bright zinc-plated
 Hexagon Socket Head Cap Screw DIN 912 M6x20, St, bright zinc-plated
 Countersunk Screw DIN 7991 M6x16, St, bright zinc-plated
 M = 10 Nm m = 53.0 g

1 set

0.0.690.44



Butt Fastener D30-90° R25, internal

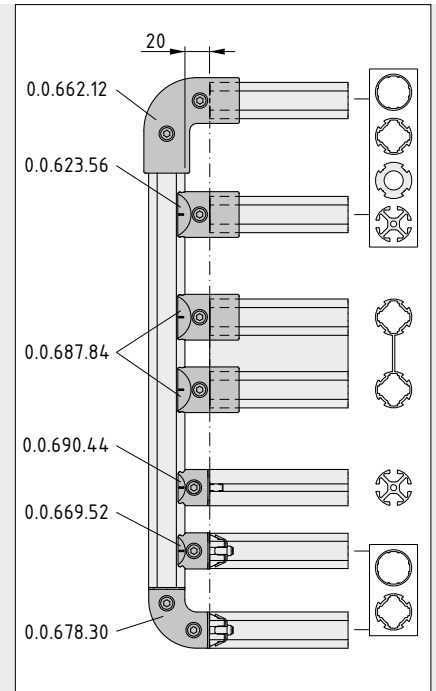
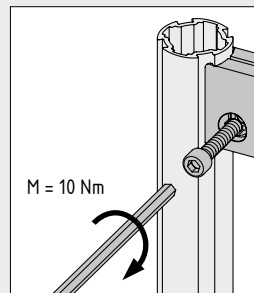
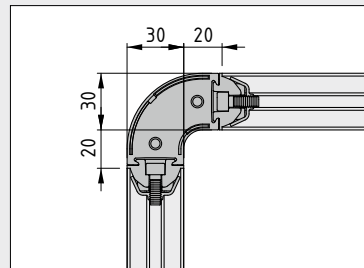
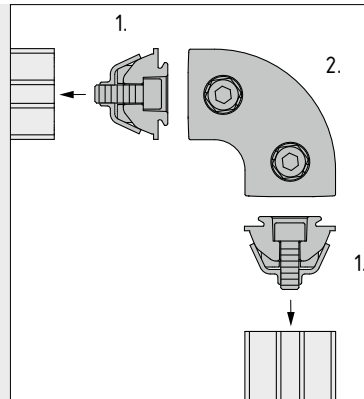
- Rounded 90° connection
- Flush transition between tube and fastener



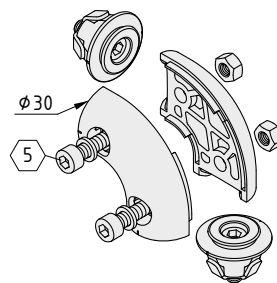
Do you want corners with smooth curves? Butt Fastener D30-90° R25, internal makes it possible by connecting Profile Tubes D30 at a 90° angle with a gentle curve. Internal clamping technology ensures a smooth transition between fastener and profile tube to produce a harmonious outer corner.

Due to their design, internal fasteners are suitable for lighter loads.

Note: item supplies Butt Fastener D30-90° R25 with external and internal clamping technology. No matter which variant you choose, the Profile Tubes D30 will always be the same length regardless of the type of fastening technology used. As a result, you can substitute a Butt Fastener D30-90° R25 (0.0.662.12) for a Butt Fastener D30-90° R25, internal (0.0.678.30) without having to make any alterations to the profile tubes.



Fasteners with external and internal clamping technology for 90° connections can be used together. The effective profile length is identical. The 20 mm spacing must be factored in.



Butt Fastener D30-90° R25, internal



Partially preassembled

- 2 butt fastener halves, die-cast Al, natural
- 2 Internal Fasteners D30 tube insert, die-cast Al, natural
- 2 Internal Fastener D30 claws, St, bright zinc-plated
- 2 Hexagon Socket Head Cap Screws DIN 912 M6x20, St, bright zinc-plated
- 2 Hexagon Socket Head Cap Screws DIN 912 M6x16, St, bright zinc-plated
- 2 Hexagon nuts DIN 934 M6-I8I, St, bright zinc-plated
- 2 washers, St, bright zinc-plated

M = 10 Nm m = 122.0 g

1 set

0.0.678.30



Tube Adapter D30

- Adds the full four-sided profile contour to a Tube D30
- For connecting accessories and fasteners
- Cap for a safe finishing touch



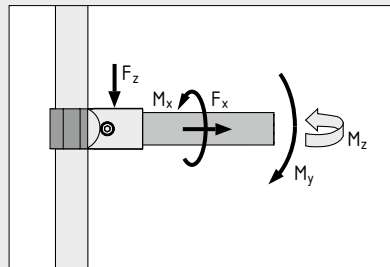
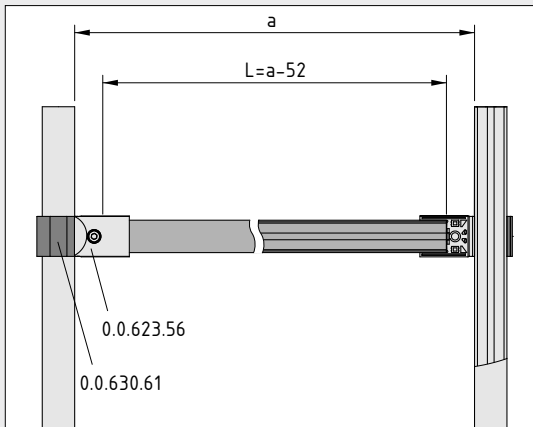
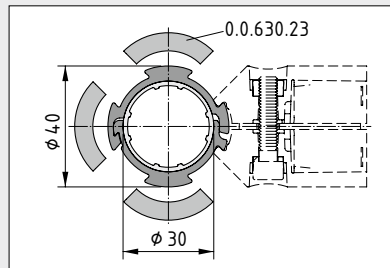
The Tube Adapter turns a smooth Tube D30 into a Profile Tube! Simply fit it around the Tube and you're ready to fit a D30 fastener. The Fastener clamps the Tube Adapter, creating exceptional torsion and slip protection.

Suitable for connecting up to four Fasteners to a single Tube at the same height.

The optional Cap securely covers any connection points on the Tube Adapter D30 that are not required. Up to three Caps can be fitted to each Tube Adapter D30.

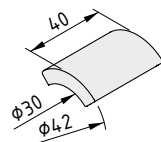
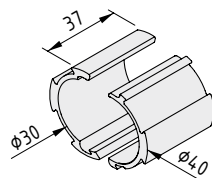


Tube Adapter D30 also allows connections to be made to Profiles 6 D30 at any angle.



$F_x = 500 \text{ N}$
 $F_z = 500 \text{ N}$
 $M_x = 5 \text{ Nm}$
 $M_y = 50 \text{ Nm}$
 $M_z = 20 \text{ Nm}$

The force data relates to Fastener D30 (0.0.623.56) combined with Tube Adapter D30. If another fastener is used, the specific force data for that fastener must be taken into account.



Tube Adapter D30

Tube collar, inside, Al, natural
 Tube collar, outside, Al, natural
 $m = 33.0 \text{ g}$

1 set

0.0.630.61

Tube Adapter Cap D30

PA-GF
 $m = 3.1 \text{ g}$

grey similar to RAL 7042, 1 pce.

0.0.630.23





End Connector 8 D30-90°

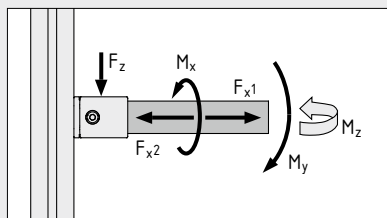
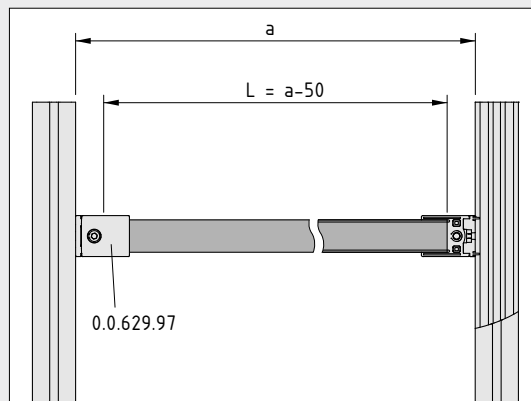
- For a right-angled connection to profiles with a Line 8 groove
- Torsion resistant and stable



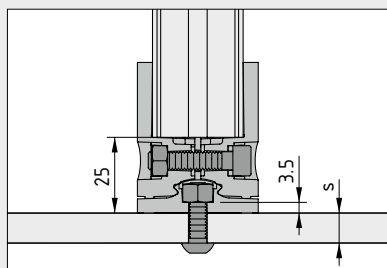
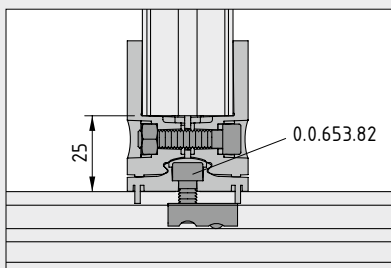
Use different building kit systems together: End Connector 8 D30-90° can be used to connect (Profile) Tubes D30 to profiles with a Line 8 groove. This combination is frequently used in transport trolleys when their substructures are made from Line 8 profiles.

The base plate is screwed to the Line 8 groove to prevent twisting but, in order to do so, two of the four anti-torsion features must first be removed. The clamping jaws of the End Connector encompass the (Profile) Tube D30.

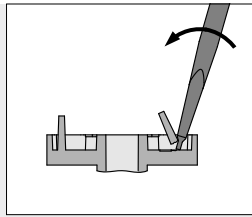
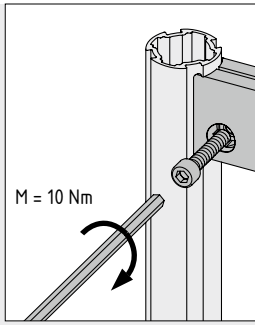
Two Caps D30 R cover over the screw connection of End Connector 8 D30-90°, making cleaning easy and ensuring your design looks its best.



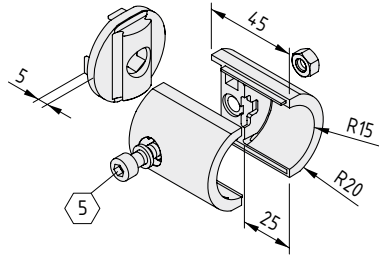
$F_{x1} = 500 \text{ N}$
 $F_{x2} = 3000 \text{ N}$
 $F_z = 500 \text{ N}$
 $M_x = 5 \text{ Nm}$
 $M_y = 50 \text{ Nm}$
 $M_z = 50 \text{ Nm}$



When using End Connector 8 D30-90° on a component with a smooth, unbroken surface, all four tabs of the integrated anti-torsion features on the connector adapter must be removed. An M6 nut can be inserted into the connection adapter to create a screw connection from the rear.



Use a slotted screwdriver to remove the anti-torsion features with ease.

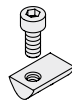


End Connector 8 D30-90°



Partially preassembled
 2 connector halves, die-cast aluminium, natural
 Connector 8 D30-90° adapter, die-cast aluminium, natural
 Hexagon Socket Head Cap Screw DIN 912-M6x29,4, St, bright zinc-plated
 Hexagon nut DIN 934 M6-I8I-5, St, bright zinc-plated
 M = 10 Nm m = 115.0 g

1 set 0.0.629.97



Fastening Set 8 D30



Hexagon Socket Head Cap Screw DIN 912 M6x14, St, bright zinc-plated
 T-Slot Nut 8 St M6, St, bright zinc-plated
 m = 16.0 g

1 set 0.0.653.82



Adapter 8 D30

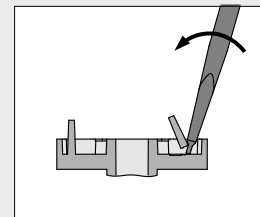
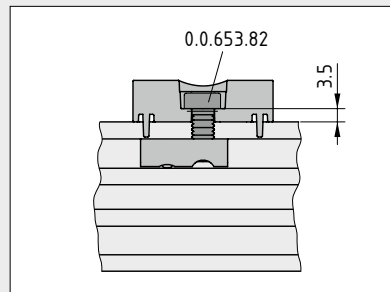
- Space-saving solution for adding the contour of a Profile Tube D30 to a Line 8 profile
- Also suitable for fixing to panel elements



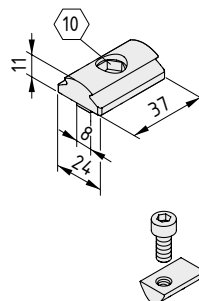
The D30 contour for Line 8: Flat Adapter 8 D30 gives a profile with a Line 8 groove the contour of a Profile Tube D30. A fastener from the Lean Production Building Kit System can then be attached to the adapter.

Adapter 8 D30 can also be screwed to a panel element.

Note: The longer Adapter 8 80 D30 can be subsequently moved when a Fastener D30 is connected to it centrally. It is also long enough to accommodate two Fasteners D30.



Use a slotted screwdriver to remove the anti-torsion features with ease.



Adapter 8 D30

Die-cast Al
m = 17.7 g

1 pce.



0.0.630.51

Fastening Set 8 D30

Hexagon Socket Head Cap Screw DIN 912 M6x14, St, bright zinc-plated
T-Slot Nut 8 St M6, St, bright zinc-plated
m = 16.0 g

1 set



0.0.653.82



Adapter 8 80 D30

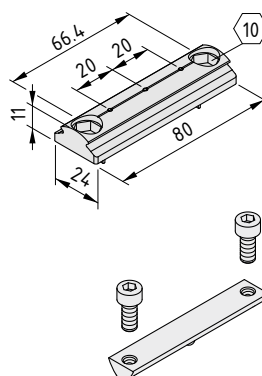
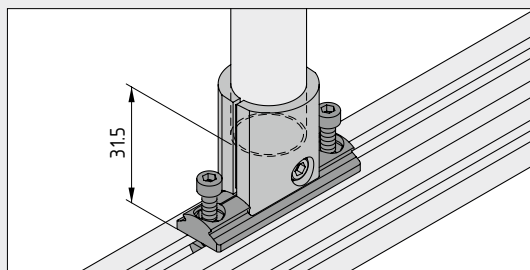
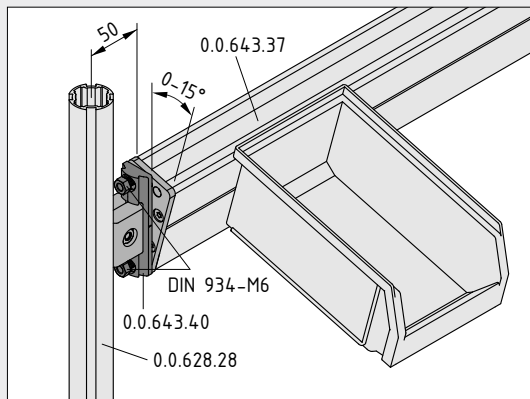
- Robust connection to Line 8 profiles
- Creates fastening points for Fasteners D30
- Suitable for rapid, repositioning of struts



More space for connections: Adapter 8 80 D30 can be used to connect two Fasteners D30 to one profile with a Line 8 groove. The Adapter has a flat underside, which means it can also be screwed to any panel.

If only one Fastener D30 is fitted in the centre, Adapter 8 80 D30 provides an added advantage – the connection can be subsequently moved, because the screws are still accessible. This means attachments can be easily adjusted without having to detach the Fastener D30.

Tiltable item Container Profile 8 80x40 (0.0.643.37) is secured between two Profile Tubes D30 using the corresponding fastening set (0.0.643.40), Adapter 8 80 D30 and Parallel Fastener D30. The tilt angle (0° or 15°) must be fixed with M6 screws via the fastening holes.



Adapter 8 80 D30

Die-cast Al
m = 50.0 g

1 pce.



0.0.653.24

Fastening Set 80 D30

T-Slot Nut 8 St 2x M6-76, St, bright zinc-plated
2 Hexagon Socket Head Cap Screws DIN 912 M6x14, St, bright zinc-plated
m = 35.0 g

1 set



0.0.653.06



Adapter 6 30x30/D30

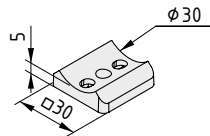
- A level screw-fit surface on a Profile 6 D30
- Ideal for mounting hinges



When you need to fit a square component to a cylindrical profile, Adapter 6 30x30/D30 is the answer. Simply screw it to a Profile 6 D30 to produce a level surface for securely connecting accessories with a flat surface.

The Adapter utilises the groove in Profile 6 D30, allowing users to connect panel elements and components from the MB Building Kit System with a screw and a T-Slot Nut M6. Anti-torsion features – such as Hinge 6 30x30 – engage with the indentations on the flat side.

It is important to allow for the thickness of the Adapter (5 mm) when selecting the screw.



Adapter 6 30x30/D30

Die-cast Al
m = 11.0 g

natural, 1 pce.



0.0.656.32



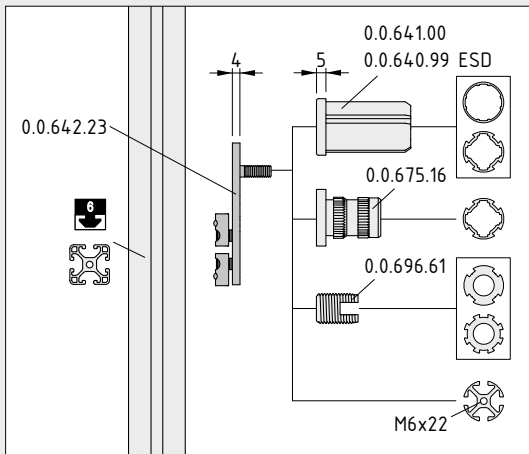
Tube Holder D30

- Connects Profiles D30 with frames made using the MB Building Kit System
- Full length of profile can still be used
- Enables space-saving fastening options for roller conveyors

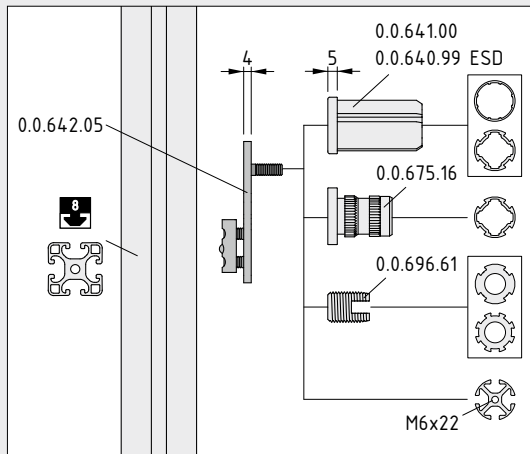


From round to square: Tube Holders D30 can be used to fasten a (Profile) Tube D30 between two profiles from the item MB Building Kit System. This space-saving and strong holder is available for Line 6 and 8 grooves.

Tube Holders D30 are fastened to the Profile Tube D30 or Tube D30 with an M6 screw. A Threaded Insert D30 must be used to make this fixing. In the case of Profiles 6 D30, a thread is tapped into the core bore.

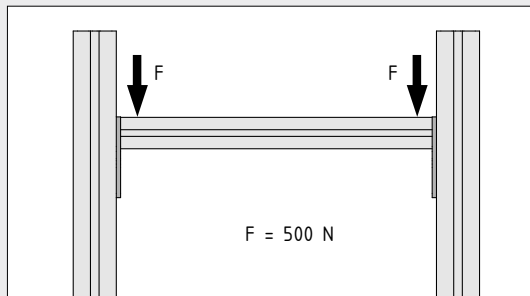


Tube Holder 6 D30

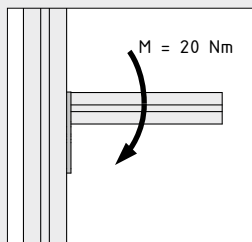


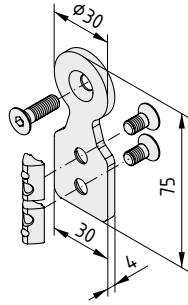
Tube Holder 8 D30

When working with Tube Holder D30, use the Threaded Insert mentioned above with an M6 diameter to connect a (profile) tube to a profile from the MB Building Kit System. In the case of a Profile 6 D30, an M6x22 thread needs to be tapped into the core bore.



In the case of overhangs and cantilever arms, the loading moment requires a metal Threaded Insert such as Threaded Insert, Profile Tube D30 heavy duty M6 (0.0.696.61) or a screw attachment to Profile 6 D30 via a thread tapped into the core bore.





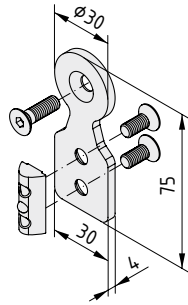
Tube Holder 6 D30



Bracket D30, St, bright zinc-plated
 2 T-Slot Nuts 6 St M6, St, bright zinc-plated
 2 Countersunk Screws DIN 7991 M6x12, St, bright zinc-plated
 Countersunk Screw DIN 7991 M6x20, St, bright zinc-plated
 m = 69.0 g

1 set

0.0.642.23



Tube Holder 8 D30



Bracket D30, St, bright zinc-plated
 T-Slot Nut F 8 St M6, St, bright zinc-plated
 2 Countersunk Screws DIN 7991 M6x14, St, bright zinc-plated
 Countersunk Screw DIN 7991 M6x20, St, bright zinc-plated
 m = 71.0 g

1 set

0.0.642.05



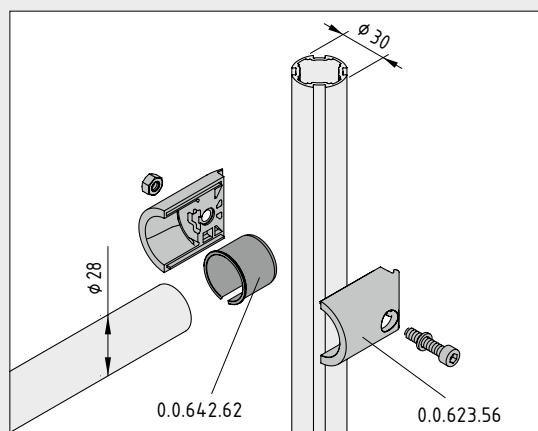
Adapter D30/D28 Adapter D30/D28.6

- For connecting steel tubes to Profile Tube System D30
- Firm hold for tubes with a diameter of 28 and 28.6 mm
- Available in two lengths

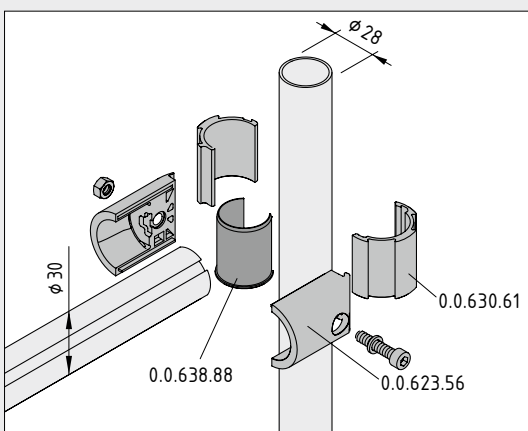
Backed the wrong horse? We have something that might just help: Adapter D30/D28 and Adapter D30/D28.6 can be used to connect old steel tubes with a plastic sheathing (28 or 28.6 mm diameter) easily to the state-of-the-art world of Profile Tube System D30 in aluminium.

The Adapters are available in lengths of 25 and 37 mm.

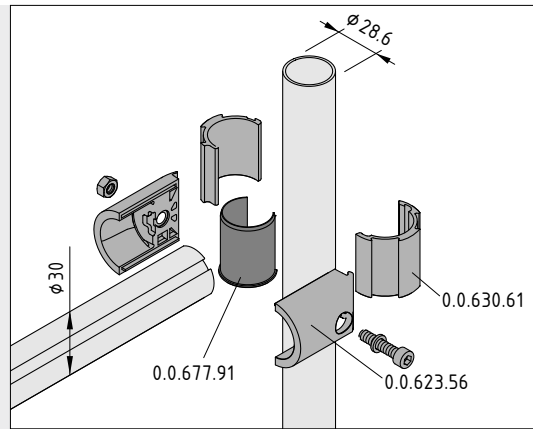
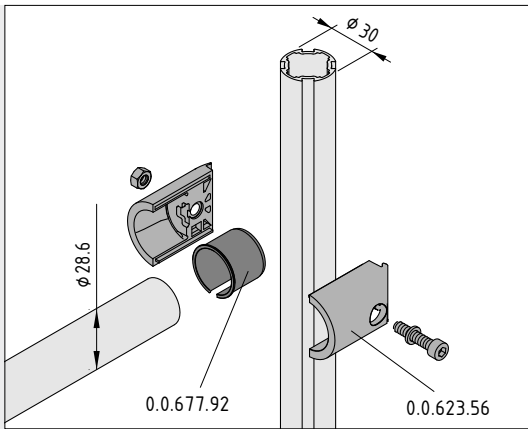
Note: Please note the load limits, which are due to the use of plastic components.



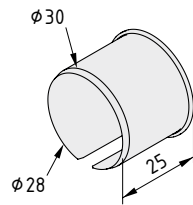
Connect a steel tube (\varnothing 28 mm) to an item Profile Tube D30 simply by inserting Adapter D30/D28-25 into an item Fastener D30 and the connection will hold firm.



Thanks to Adapter D30/D28-37, it couldn't be easier to make the transition to a whole new dimension: Simply attach the Adapter to the tube (\varnothing 28 mm), place a Tube Adapter D30 over it and the way is clear for extending your old structure using the innovative Profile Tube System D30.



Depending on the connection type, a steel tube (\varnothing 28.6 mm) can be connected to an item (Profile) Tube D30 using either the shorter Adapter D30/D28.6-25 (0.0.677.92) and a Fastener D30 (0.0.623.56) or the longer Adapter D30/D28.6-37 (0.0.677.91) and a Tube Adapter D30 (0.0.630.61).

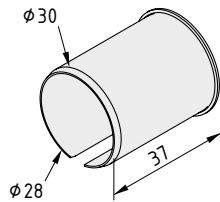


Adapter D30/D28-25

PA-GF
m = 2.5 g

grey similar to RAL 7042, 1 pce.

0.0.642.62

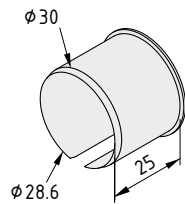


Adapter D30/D28-37

PA-GF
m = 3.0 g

grey similar to RAL 7042, 1 pce.

0.0.638.88

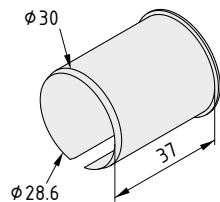


Adapter D30/D28.6-25

PA-GF
m = 2.0 g

grey similar to RAL 7042, 1 pce.

0.0.677.92



Adapter D30/D28.6-37

PA-GF
m = 3.0 g

grey similar to RAL 7042, 1 pce.

0.0.677.91



Fastening elements

Keep a firm hold on what really matters! Fastening elements connect frames to working surfaces, feet, castors and other accessories.

The versatile fastening elements in the Lean Production Building Kit System give you the flexibility you need to custom design your factory equipment. For instance, you can equip tables with the working surface you need, divide up levels and fill in the sides of frames. Item fastening elements give you full freedom when it comes to choosing materials.

Your requirements are also the deciding factor for everything when it comes to configuring production equipment and adding functional elements. Threaded Inserts in various sizes make it easy to connect adjustable feet, castors and other accessories.

Note: The section on lean work bench design includes hooks and holders for fixing tools and working materials in place as well as systems for displaying labels and routing cables.

Products in this section



Threaded Inserts

- For securing Adjustable Feet and attachments
- Various thread sizes available

72



Threaded Inserts, Profile Tube D30 heavy duty

- Especially strong thread
- Self-tapping metal inserts

75



Multiblock D30

- Stable aluminium fixing for panels and attachments
- Can be fastened from five directions

77



Panel-Fixing Profiles D30 Panel-Fixing Strips D30

- Plastic lips hold the panel element
- No profile machining necessary

78



Panel Fastener D30

- For screw-attaching panel elements
- Enables simple height compensation

80



Tube Clamp D30

- For lightweight attachments
- Plastic clasp ensures gentle hold

81



Table-Top Fastening Set D30

- For screw-attaching panels
- Table top lies over the struts

82



Table-Top Fastening Bracket D30

- For suspending panels of any thickness
- Table top lies between the struts

83



Table-Top Side Fastening Bracket D30

- Reduces deflection in shelves and table tops
- Additional support for large and thin panels

84



Spring Clip D30/30-32

- Stainless steel clip
- Simple release via pulling motion
- Suitable as a temporary fastening

85



Brackets D30

- Fasten Tubes to crossing profiles with a Line 6 or 8 groove
- Ideal for supporting roller conveyors

86



Threaded Inserts D30

- For securing adjustable feet, castors and attachments
- End-face Insert for tubes and profile tubes
- Various thread sizes and designs available



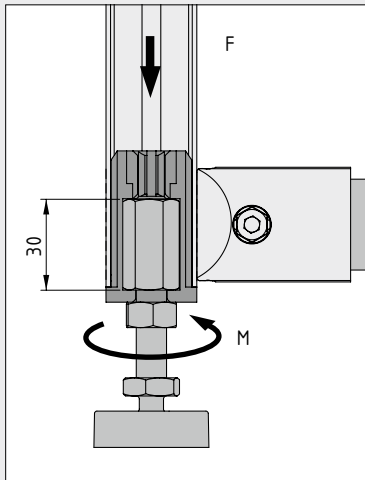
The universal fixing for all attachments: Threaded Inserts D30 are inserted into the end face of a (Profile) Tube D30. The stable thread is ideal for installing castors, adjustable feet, panels and brackets.

Threaded Insert D30 is available in M6, M8 and M10 variants, with an ESD-safe option for each variant.

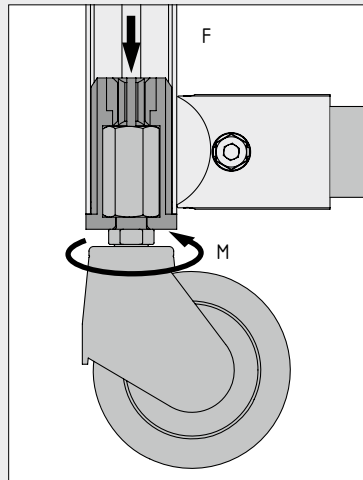
Threaded Inserts Profile Tube D30 AI are ideal for constructions that involve high lateral forces or vibrations. They are made of aluminium and, when used in Karakuri/LCA applications, ensure long-term precision for moving components. They are ESD-safe as standard.

There are also suitable Threaded Inserts for Profile Tube D40/ D30 (0.0.666.63).

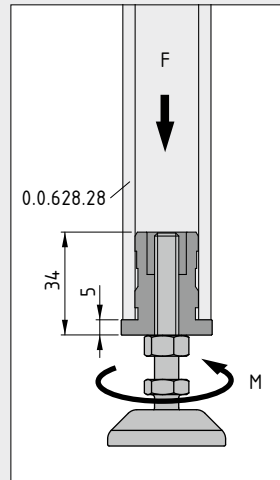
Note: Threads in a special dimension larger than M6 can also be tapped into Threaded Insert M6 AI.



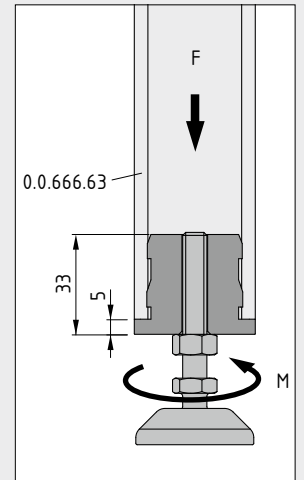
$F_{max} = 2000 \text{ N}$



$F_{max} = 500 \text{ N}$



$F_{max} = 2000 \text{ N}$



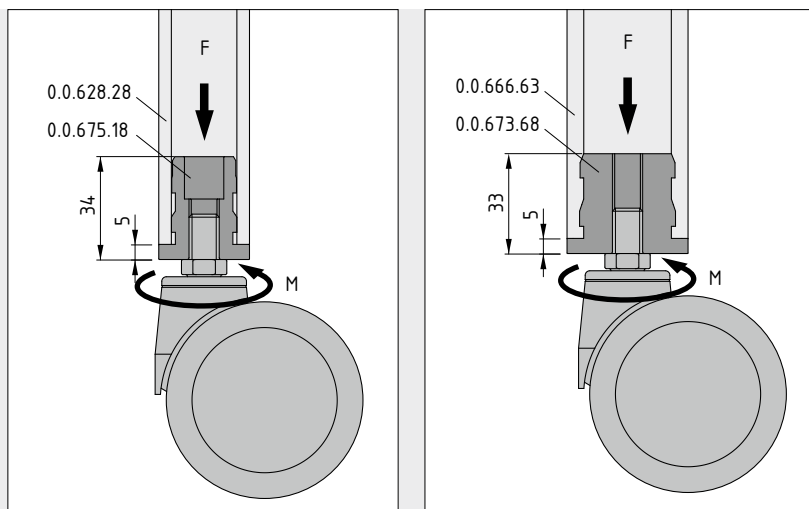
$F_{max} = 2000 \text{ N}$

Permissible tightening torque

a	M_{max}
M6	12 Nm
M8	16 Nm
M10	20 Nm

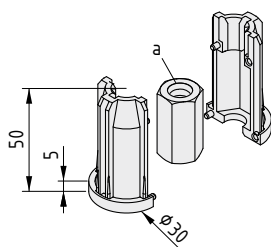


Tip: When securing swivel castors it is advisable to use an additional screw fixing agent.



$F_{\max} = 500 \text{ N}$

$F_{\max} = 500 \text{ N}$



Threaded Insert D30 M6

2 threaded insert halves D30, PA-GF
Hexagon nut M6x30, St, bright zinc-plated
a = M6 m = 55.0 g

grey similar to RAL 7042, 1 set

0.0.641.00

Threaded Insert D30 M6 ESD



2 threaded insert halves D30, PA-GF, ESD
Hexagon nut M6x30, St, bright zinc-plated
a = M6 m = 55.0 g

black similar to RAL 9005, 1 set

0.0.640.99

Threaded Insert D30 M8

2 threaded insert halves D30, PA-GF
Hexagon nut M8x30, St, bright zinc-plated
a = M8 m = 51.0 g

grey similar to RAL 7042, 1 set

0.0.640.96

Threaded Insert D30 M8 ESD



2 threaded insert halves D30, PA-GF, ESD
Hexagon nut M8x30, St, bright zinc-plated
a = M8 m = 51.0 g

black similar to RAL 9005, 1 set

0.0.640.98

Threaded Insert D30 M10

2 threaded insert halves D30, PA-GF
Hexagon nut M10x30, St, bright zinc-plated
a = M10 m = 50.0 g

grey similar to RAL 7042, 1 set

0.0.634.36

Threaded Insert D30 M10 ESD



2 threaded insert halves D30, PA-GF, ESD
Hexagon nut M10x30, St, bright zinc-plated
a = M10 m = 50.0 g

black similar to RAL 9005, 1 set

0.0.640.82



Threaded Inserts, Profile Tube D30 heavy duty

- Especially strong thread
- Self-tapping metal inserts
- For large compressive and tensile loads



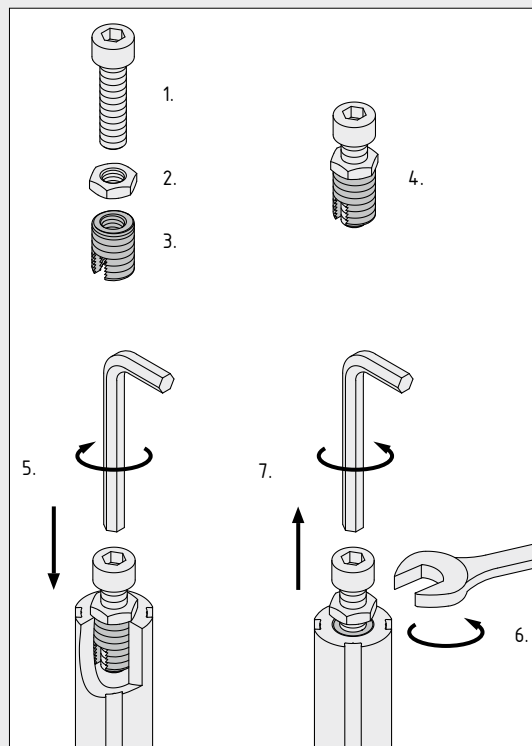
The combination for a particularly strong hold: These Threaded Inserts accommodate extremely high compressive and tensile loading in the reinforced Profile Tubes D30 heavy duty.

The self-tapping inserts make it possible to screw all kinds of attachments to the end face of a Profile Tube D30 heavy duty or Profile Tube D30-45° heavy duty. They are available for M6, M8, M10 and M12 threads and are typically used to attach adjustable feet and castors.

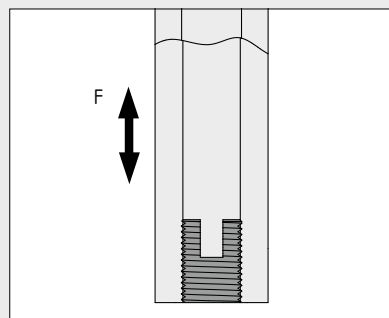


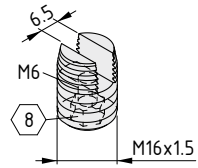
Prior to installation, screw a suitable Hexagon Socket Head Cap Screw with lock nut into Threaded Insert, Profile Tube D30 heavy duty. Use the screw and lock nut to drive the Threaded Insert into the end face of the Profile Tube D30 heavy duty. The Threaded Insert is self-tapping. Next, loosen the lock nut and remove the screw to free up the thread.

Note: Threaded Insert Profile Tube D30 heavy duty M6 (0.0.696.61) is screwed directly into place using an 8 A/F hexagon socket.



Threaded Inserts, Profile Tube D30 heavy duty can accommodate extraction forces of up to $F_{max} = 20000$ N. The load limits of Profile Tube D30 heavy duty and the screw (particularly in the case of an M6 diameter) must be factored in for constructions.





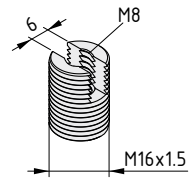
Threaded Insert, Profile Tube D30 heavy duty M6



St, bright zinc-plated
m = 23.0 g

1 pce.

0.0.696.61



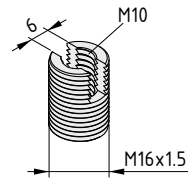
Threaded Insert, Profile Tube D30 heavy duty M8



St, bright zinc-plated
m = 18.6 g

1 pce.

0.0.672.18



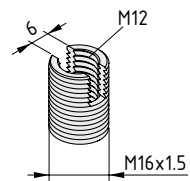
Threaded Insert, Profile Tube D30 heavy duty M10



St, bright zinc-plated
m = 15.4 g

1 pce.

0.0.672.19



Threaded Insert, Profile Tube D30 heavy duty M12



St, bright zinc-plated
m = 11.2 g

1 pce.

0.0.648.64



Multiblock D30

- Versatile fixing for panels and attachments
- Stable hold on the contour of the Profile Tube



The all-rounder for fastenings of all types: Strong Multiblock D30 made of aluminium can be used to reliably connect panel elements and all sorts of components. Attachments can be screwed to five sides.

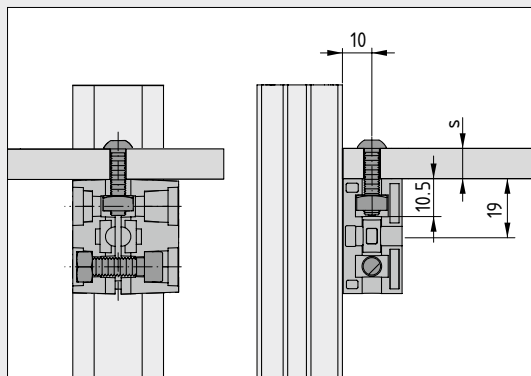
The two halves of Multiblock D30 have different heights, which ensures the fixing can be made with the perfect fit. Levels can be varied depending on how the fastener is oriented, which is useful when compensating for the height difference associated with Fastener D30, for example.

Multiblock D30 is fastened to a Profile Tube D30 or Profile 6 D30. A Tube Adapter D30 is required to fit it to a Tube D30.

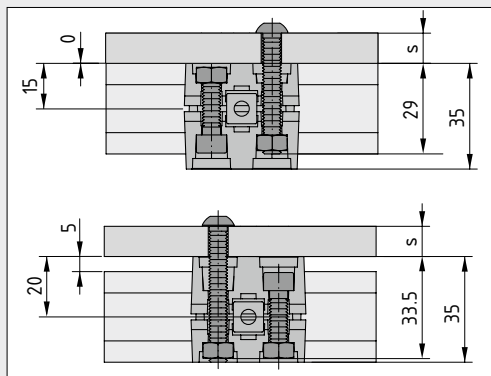
Caps D30 F can be used to cover over the screw fixings of Multiblock D30. Up to four can be used on each Multiblock.



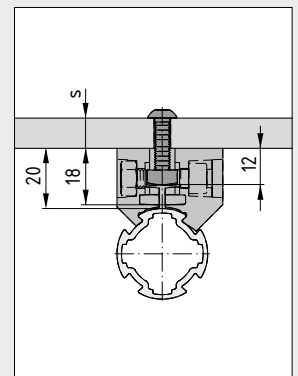
Tip:
Two thin Multiblock halves can also be used together, e.g. when working in a particularly tight space.



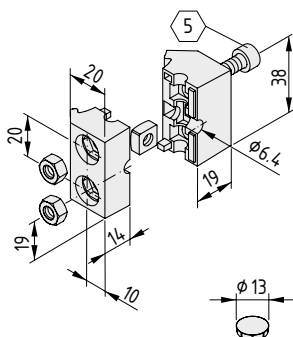
1. Fastening a panel to a vertical profile



2. Fastening a panel along the length of a profile, clearance 0 and 5 mm



3. Fastening a panel along the length of a profile, clearance 20 mm



Multiblock D30

Multiblock D30 half M6 K, die-cast aluminium, natural
 Multiblock D30 half M6 G, die-cast aluminium, natural
 Square nut DIN 557-M6-5, St, bright zinc-plated
 2 hexagon nuts DIN 934 M6-I8I-5, St, bright zinc-plated
 Hexagon Socket Head Cap Screw DIN 912-M6x22, St, bright zinc-plated
 m = 71.5 g

1 set

0.0.629.96

Cap D30 F

PA-GB
 m = 0.2 g

grey similar to RAL 7042, 1 pce.

0.0.629.80





Panel-Fixing Profiles D30 Panel-Fixing Strips D30

- Rattle-free panel fixing
- No screws required
- For panels in a thickness of 1 to 10 mm



The quickest way to fasten a panel: Panel-Fixing Profiles D30 and Panel-Fixing Strips D30 can be used to fasten panels in place almost continuously along all their edges. They prevent direct contact between the panel element and the supporting profile. This helps to lower noise levels and offers protection from splashes and dirt.

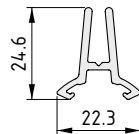
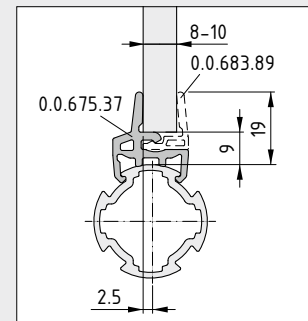
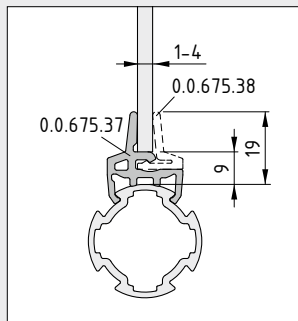
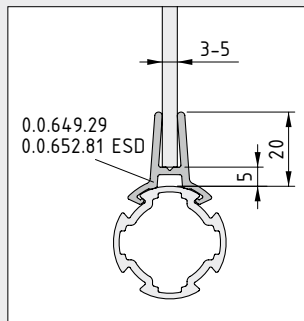
Panel-Fixing Profile D30 3-5 mm comes in one piece. It clips onto a Profile Tube D30 and a panel element that is between 3 and 5 mm thick is slotted into it. The ESD-safe variant of Panel-Fixing Profile D30 can be identified as such because it is made of black plastic.

The Panel-Fixing Strip comes in two parts. First, clip the main part – Panel-Fixing Strip D30 (0.0.675.37) – onto the Profile Tube D30. Next, simply lay the panel element in place. Finally, depending on the panel element you are using, press Panel-Fixing Strip D30 1-4mm or Panel-Fixing Strip D30 8-10mm into place at the side.

Panel-Fixing Profile D30 and Panel-Fixing Strips D30 can be easily cut to size using item Multi-Purpose Pliers.



When using Fasteners D30, internal, there is no need to cut away part of the strip or profile at the corners.



Panel-Fixing Profile D30 3-5mm

PP

m = 97.0 g/m

grey similar to RAL 7042, 1 pce., length 3000 mm

0.0.649.29

Panel-Fixing Profile D30 3-5mm ESD

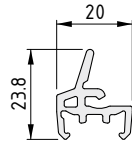
PP-ESD

m = 113.0 g/m

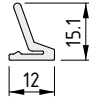
black similar to RAL 9005, 1 pce., length 3000 mm

0.0.652.81

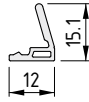




Panel-Fixing Strip D30
PE-HD m = 119.0 g/m
grey similar to RAL 7042, 1 pce., length 3000 mm
0.0.675.37



Panel-Fixing Strip D30 1-4mm
PE-HD m = 48.0 g/m
grey similar to RAL 7042, 1 pce., length 3000 mm
0.0.675.38



Panel-Fixing Strip D30 8-10mm
PE-HD m = 40.0 g/m
grey similar to RAL 7042, 1 pce., length 3000 mm
0.0.683.89

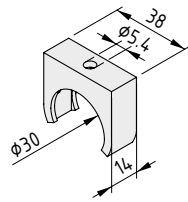
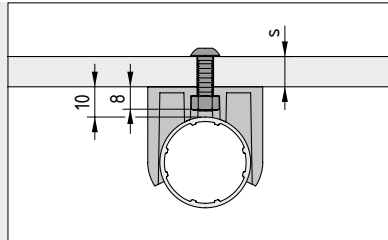


Tube Clamp D30

- For lightweight attachments
- Plastic clasp ensures gentle hold
- Easy to install and quickly removed

Tube Clamp D30 can be used to install panels quickly, including when something is to be set up on a temporary basis only. The simple fastening clip simply latches onto the outside of a Tube D30 or Profile Tube D30.

Tube Clamp D30 is intended for use with lightweight attachments. It is fitted quickly with no need for tools and is therefore also simple to remove. A hexagon nut M5 can be inserted into Tube Clamp D30 to screw the panel element into place.



Tube Clamp D30

PA-GB

m = 8.7 g

grey similar to RAL 7042, 1 pce.

0.0.630.83

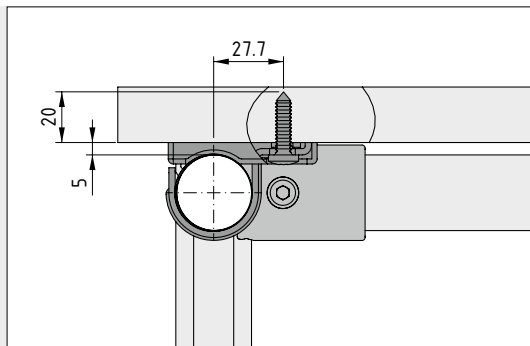


Table-Top Fastening Set D30

- Stable hold thanks to screw-attached clip
- Table top lies over the struts

Table-Top Fastening Set D30 is used to install chipboard or multi-ply panels in D30 tube constructions in next to no time. Strong steel clips ensure a strong hold. The enclosed screws secure the fastening set to the panel element and (Profile) Tube D30.

Table-Top Fastening Set D30 ensures the panel is flush with the Fasteners D30 of the substructure. This prevents any movement that would otherwise be caused by a variation in heights.



The clip of Table-Top Fastening Set D30 is laid over the Tube D30 and fastened directly to the table top with the enclosed screw, which is driven through the plastic spacer.

The plastic spacer beds the clip in place and creates the 5 mm gap that is necessary when using Fasteners D30.

Note: Slide Strip D30 (0.0.634.42) or Slide Strip D30 ESD (0.0.634.55) can be used to cover the gap between the table top and profile tube.

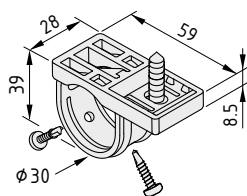


Table-Top Fastening Set D30

Sheet material, St, bright zinc-plated
 Spacer, PA-GF, grey similar to RAL 7042
 Screw 6x25-TX30, St, bright zinc-plated
 2 Button-Head Screws, self-tapping 3.9x16, TX20, St, bright zinc-plated
 m = 65.0 g

1 set

0.0.646.91



Table-Top Fastening Bracket D30

- For suspending panels of any thickness
- Table top lies between the struts
- Also suitable for strong shelves



The rapid solution for supporting horizontal panels: Position one Table-Top Fastening Bracket D30 in each corner of a D30 frame and place on top any panel material – that's all it takes to create strong shelving for storage systems or workpiece carriers, etc.

If required, Table-Top Fastening Bracket D30 can also be screwed to the panel and (Profile) Tube D30, thereby further stabilising the frame.

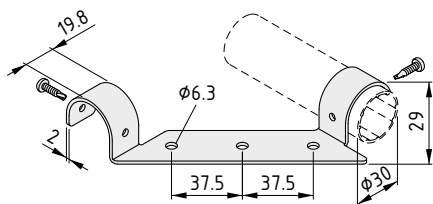
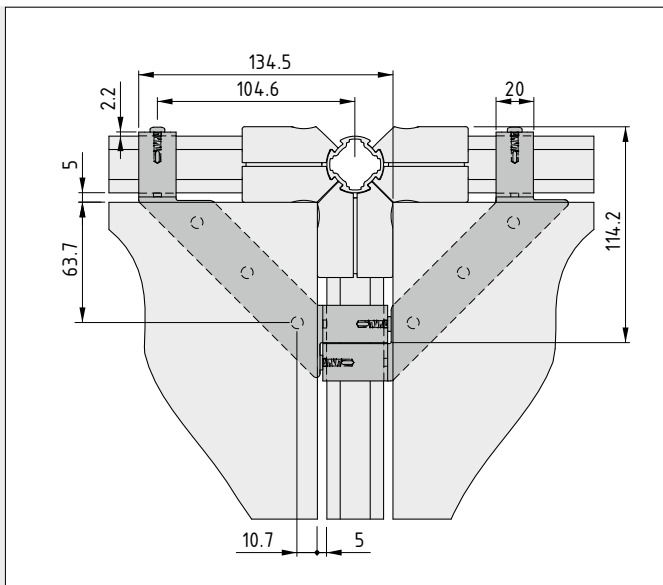


Table-Top Fastening Bracket D30



Sheet material, St, bright zinc-plated
 2 Button-Head Screws, self-tapping 3.9x16, TX20, St, bright zinc-plated
 m = 91.0 g

1 set

0.0.647.11



Table-Top Side Fastening Bracket D30

- Reduces deflection in panel elements
- Complements Table-Top Fastening Bracket D30



A stronger hold for shelves and table tops: Large and thin panel elements that are resting on Table-Top Fastening Bracket D30, require additional support. Table-Top Side Fastening Bracket D30 is the answer. It reduces deflection.

First, place Table-Top Side Fastening Bracket D30 anywhere on the load-carrying (Profile) Tube D30 and fix it in place with the enclosed screw. Next, put the panel element in place and screw it tightly to the bracket.

Alternatively, you can fasten the brackets to the panel element first and then simply hang them on the frame.

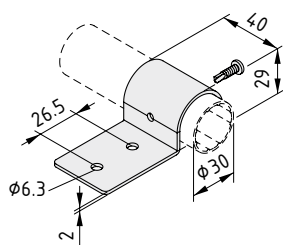
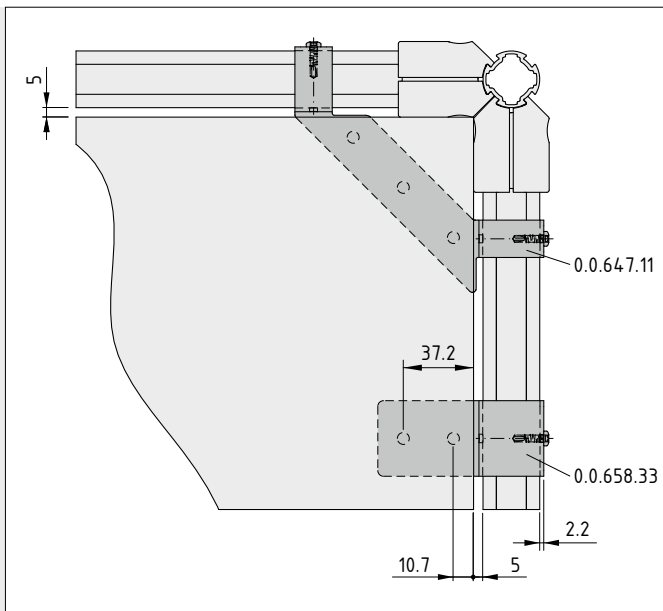


Table-Top Side Fastening Bracket D30



Bracket, St, bright zinc-plated
 Button-Head Screw, self-tapping 3.9x16, TX20, St, bright zinc-plated
 m = 75.0 g

1 set

0.0.658.33



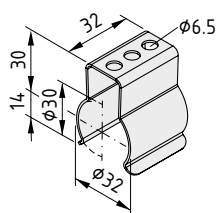
Spring Clip D30/30-32

- Made from stainless spring steel
- Universal clip
- Clamps components with a diameter of 30 mm



For those times you need three hands: Spring Clip D30/30-32 is the convenient way to temporarily hold in place (Profile) Tubes D30 or tools with a diameter of 30 to 32 mm.

The clip grips tools quickly and firmly and releases them just as fast.



Spring Clip D30/30-32



St, stainless
m = 54.0 g

1 pce.

0.0.660.98



Brackets D30

- Fast and firm hold for crossmembers
- Torsion-resistant connection to profiles with a Line 6 or 8 groove
- Also available as compact version with one flat bracket

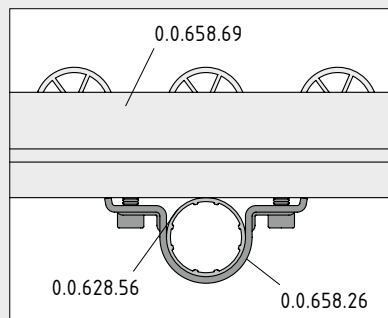
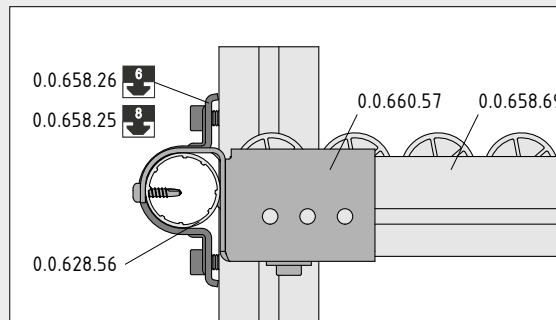


A slender solution for a secure hold: Brackets D30 connect a (Profile) Tube D30 to a profile that crosses it and has a Line 6 or 8 groove. The brackets are flat and yet extremely torsion resistant.

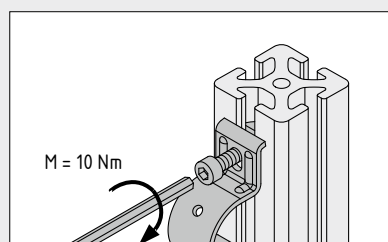
Brackets D30 T2 are even more compact, ensuring connections can also be made close to the end of the profile. Thanks to their shortened geometry with just one flat bracket, only one T-Slot Nut is needed. The tube and bracket are securely connected using the enclosed self-tapping screw. Due to their compact design, Brackets D30 T2 are also the perfect choice for Karakuri/LCA applications where components pivot past each other in the tightest of spaces.

When ordering, please ensure you select the correct version for profiles with either a Line 6 or Line 8 groove.

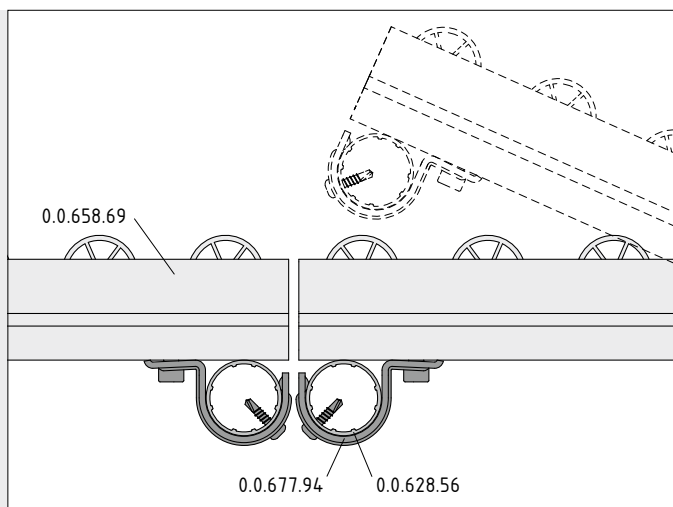
Note: Table-Top Fastening Set D30 should be used when installing panel elements, as its spacer compensates for the height difference caused by Fastener D30.



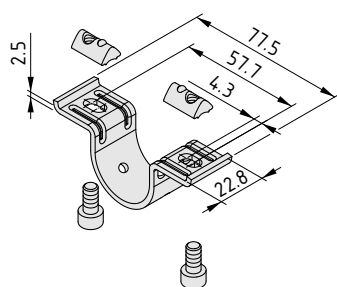
Brackets D30 can be used to secure crossmembers directly underneath roller conveyors with a Line 6 or 8 groove.



When screwing Brackets D30 to profiles, a tightening torque of 10 Nm should be used. By contrast, the maximum tightening torque when fitting the brackets to aluminium roller conveyors (Roller Conveyors 6 40x40 and 80x40 and Roller Conveyor 8 D30) is 5 Nm.



Compact Brackets D30 T2 are used when components pivot past each other or when there is little space due to the installation scenario. Bracket D30 T2 and the (profile) tube must be screwed together using the self-tapping screw supplied with the bracket.

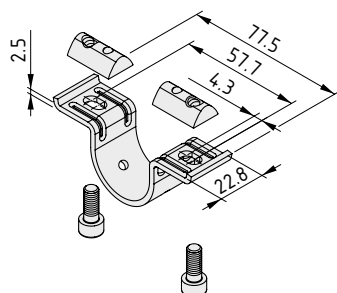


Bracket 6 D30



Bracket, St, bright zinc-plated
 2 T-Slot Nuts 6 St M6, St, bright zinc-plated
 2 Hexagon Socket Head Cap Screws DIN 912 M6x12, St, bright zinc-plated
 M = 5 Nm m = 71.0 g

1 set 0.0.658.26

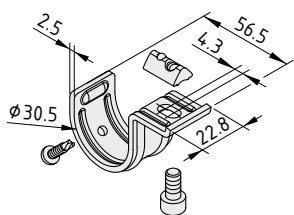


Bracket 8 D30



Bracket, St, bright zinc-plated
 2 T-Slot Nuts 8 St M6, St, bright zinc-plated
 2 Hexagon Socket Head Cap Screws DIN 912 M6x15, St, bright zinc-plated
 M = 5 Nm m = 84.0 g

1 set 0.0.658.25

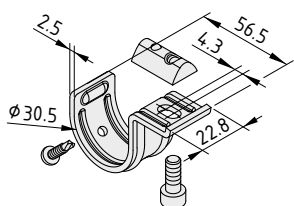


Bracket 6 D30 T2



Bracket, St, bright zinc-plated
 T-Slot Nut 6 St M6, St, bright zinc-plated
 Hexagon Socket Head Cap Screw DIN 912 M6x12, St, bright zinc-plated
 Button-Head Screw, self-tapping 3.9x16, TX20, St, bright zinc-plated
 M = 5 Nm m = 60.0 g

1 set 0.0.677.94



Bracket 8 D30 T2



Bracket, St, bright zinc-plated
 T-Slot Nut 8 St M6, St, bright zinc-plated
 Hexagon Socket Head Cap Screw DIN 912 M6x15, St, bright zinc-plated
 Button-Head Screw, self-tapping 3.9x16, TX20, St, bright zinc-plated
 M = 5 Nm m = 67.0 g

1 set 0.0.677.93



Floor elements

Nifty movement or a stable footing? The floor elements of the Lean Production Building Kit System can do both.

Strong castors in a range of diameters form the basis for transport trolleys and intralogistics solutions. A robust design and abrasion-resistant materials ensure a long service life, while ESD-safe castors are available to provide added safety for sensitive assemblies.

Since every transport operation comes with its own specific requirements, it offers a wide range of swivel castors, fixed castors and swivel castors with double-brake. Optional swivel locks, which turn a swivel castor into a rigid fixed castor, are useful in helping improve the handling of trains.

To ensure a long-lasting secure footing and compensate for height differences, you can use adjustable feet and knuckle feet, which can be anchored in a Tube D30 or Profile Tube D30 using Threaded Inserts D30 (see section on fastening elements). A Flange can also be used to fix directly to the floor.

In addition to components from the Lean Production Building Kit System, the numerous adjustable feet and knuckle feet from the MB Building Kit System can also be used. You can find all the components in the item Online Shop at: item24.de/en/shop

Products in this section



- Swivel Castors 140x110**
- Precisely controllable
 - ESD-safe castors available

90



- Swivel castors with double brake 140x110**
- Brakes for secure stability
 - ESD-safe castors available

90



- Fixed castors 140x110**
- Stable straight running
 - ESD-safe castors available

90



- Swivel Locks for Castors swivel 140x110**
- Add-on for swivel castors
 - Fixed, straight running as necessary

97



- Swivel castors 120x40**
- Narrow connecting plate
 - ESD-safe castors available

98



- Flange D30-90x90**
- Universal connecting plate for walls, floors, etc.
 - Suitable for two (Profile) Tubes

99



- Flange D30 90x90-80**
- Integrated fastener
 - High load-carrying capacity
 - Fasten to floors and walls

100



- Levelling knuckle feet**
- With height and slope compensation
 - Metal or plastic foot plate
 - ESD-safe variants available

101



Castors

- Ball bearing for smooth running
- High load-carrying capacity of up to 400 kg per castor
- Easy to install thanks to connecting plate



Item swivel and fixed castors satisfy the high requirements in industry and the skilled trades. The robust castors, available in diameters D100, D125, D160 and D200, are easy-running and ideally suited to typical transport tasks. Each can be supplied as a swivel castor, swivel castor with double-brake or a fixed castor – and each in a standard and an ESD-safe design.

Swivel castors with a double brake feature a locking brake that locks the wheel in its current position via a foot-operated catch. If a swivel castor needs to be kept running straight for transport purposes, with no swivelling motion, this can be achieved using Swivel Locks for Castors swivel 140x110.

The integrated connecting plate with four holes provides a stable fixing. Fastening Set 8 for Castor swivel/fixed 140x110 is used to install the castors.

Stable ball bearings help ensure the castors provide a long service life. The tyre of the wheels consists of high-grade, abrasion-resistant polyurethane. A dust shield stops long fibres from wrapping around the wheel axis.

Note: The ESD-safe castors have a lower maximum load-carrying capacity than the standard variants. When an application involves higher castor loads, it is advisable to opt for a larger wheel diameter.




Swivel and Fixed Castors can be fixed to frames made using Line 8 profiles via the four holes in the integrated connecting plate. Alternatively, the Castors can be fixed to two parallel Profiles 8 D30. These tubes from Profile Tube System D30 feature an integral Line 8 groove. The corresponding Fastening Set 8 for Castor swivel/fixed makes installation easy.







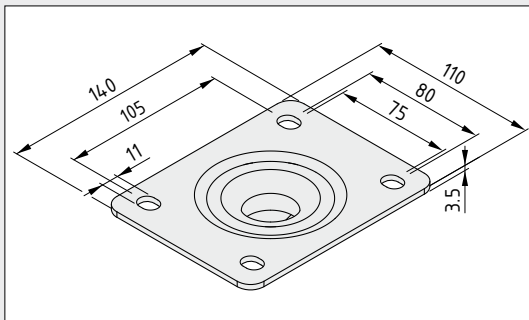
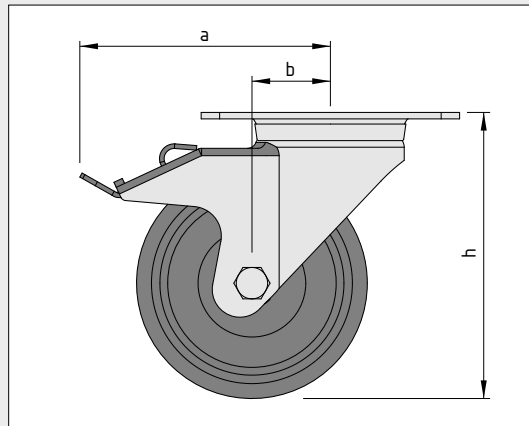
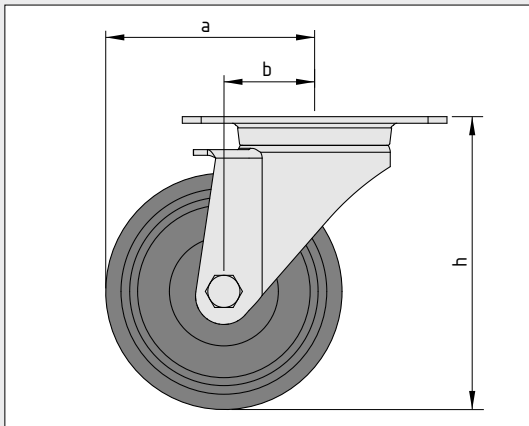
Castor D100 fixed 140x110



Castor D125 swivel with double-brake 140x110 ESD

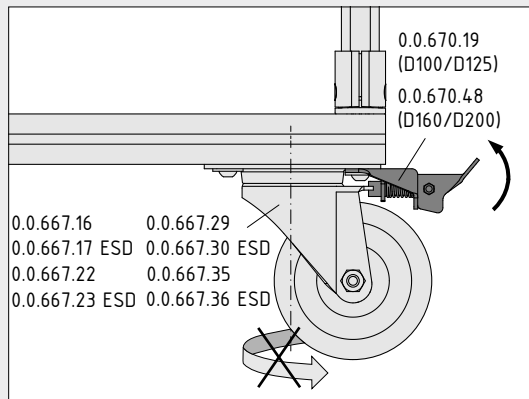
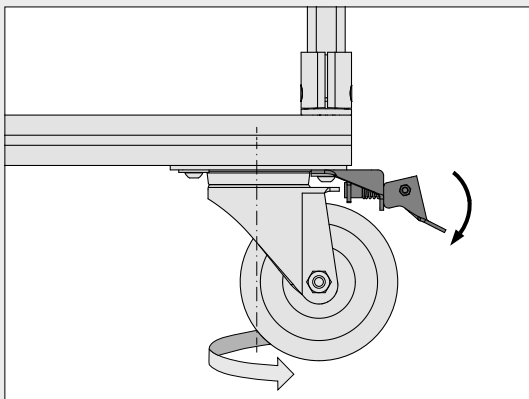
Art. No.	ESD	Product name	Wheel diameter	Load-carrying capacity	Max. speed	Plate size	Height (h)	Screw hole spacing	Radius of swivel (a)	Radius of swivel (a) with optional Swivel Lock	Offset (b)	Discharge capacity	Tyre	Tyre hardness
			[mm]	[kg]	[km/h]	[mm]	[mm]	[mm]	[mm]	[mm]	[mm]	[Ω]		[Shore A]
0.0.667.16		Castor D100 swivel 140x110	100	200	4	140x100	130	105x75-80	95	150	45	–	TPU	94
0.0.667.17		Castor D100 swivel 140x110 ESD	100	130	4	140x100	130	105x75-80	95	150	45	≤10 ⁹	TPU	94
0.0.667.18		Castor D100 swivel with double-brake 140x110	100	200	4	140x100	130	105x75-80	137	–	45	–	TPU	94
0.0.667.19		Castor D100 swivel with double-brake 140x110 ESD	100	130	4	140x100	130	105x75-80	137	–	45	≤10 ⁹	TPU	94
0.0.667.20		Castor D100 fixed 140x110	100	200	4	140x100	130	105x75-80	–	–	45	–	TPU	94
0.0.667.21		Castor D100 fixed 140x110 ESD	100	130	4	140x100	130	105x75-80	–	–	45	≤10 ⁹	TPU	94
0.0.667.22		Castor D125 swivel 140x110	125	250	4	140x100	155	105x75-80	110	150	48	–	TPU	94
0.0.667.23		Castor D125 swivel 140x110 ESD	125	160	4	140x100	155	105x75-80	110	150	48	≤10 ⁹	TPU	94
0.0.667.24		Castor D125 swivel with double-brake 140x110	125	250	4	140x100	155	105x75-80	137	–	48	–	TPU	94
0.0.667.25		Castor D125 swivel with double-brake 140x110 ESD	125	160	4	140x100	155	105x75-80	137	–	48	≤10 ⁹	TPU	94
0.0.667.26		Castor D125 fixed 140x110	125	250	4	140x100	155	105x75-80	–	–	48	–	TPU	94
0.0.667.27		Castor D125 fixed 140x110 ESD	125	160	4	140x100	155	105x75-80	–	–	48	≤10 ⁹	TPU	94
0.0.667.29		Castor D160 swivel 140x110	160	400	4	140x100	195	105x75-80	140	170	60	–	TPU	94
0.0.667.30		Castor D160 swivel 140x110 ESD	160	260	4	140x100	195	105x75-80	140	170	60	≤10 ⁹	TPU	94
0.0.667.31		Castor D160 swivel with double-brake 140x110	160	400	4	140x100	195	105x75-80	168	–	60	–	TPU	94
0.0.667.32		Castor D160 swivel with double-brake 140x110 ESD	160	260	4	140x100	195	105x75-80	168	–	60	≤10 ⁹	TPU	94
0.0.667.33		Castor D160 fixed 140x110	160	400	4	140x100	195	105x75-80	–	–	60	–	TPU	94
0.0.667.34		Castor D160 fixed 140x110 ESD	160	260	4	140x100	195	105x75-80	–	–	60	≤10 ⁹	TPU	94
0.0.667.35		Castor D200 swivel 140x110	200	400	4	140x100	235	105x75-80	163	170	65	–	TPU	94
0.0.667.36		Castor D200 swivel 140x110 ESD	200	260	4	140x100	235	105x75-80	163	170	65	≤10 ⁹	TPU	94
0.0.667.37		Castor D200 swivel with double-brake 140x110	200	400	4	140x100	235	105x75-80	184	–	65	–	TPU	94
0.0.667.38		Castor D200 swivel with double-brake 140x110 ESD	200	260	4	140x100	235	105x75-80	184	–	65	≤10 ⁹	TPU	94
0.0.667.39		Castor D200 fixed 140x110	200	400	4	140x100	235	105x75-80	–	–	65	–	TPU	94
0.0.667.40		Castor D200 fixed 140x110 ESD	200	260	4	140x100	235	105x75-80	–	–	65	≤10 ⁹	TPU	94

Chemical resistance	Castor series D100		Castor series D125		Castor series D160		Castor series D200	
	TPU	ESD 	TPU	ESD 	TPU	ESD 	TPU	ESD 
• = yes, - = no								
Water	•	•	•	•	•	•	•	•
Salt water	•	•	•	•	•	•	•	•
Road-salt solution	-	-	-	-	-	-	-	-
Mineral oils	•	•	•	•	•	•	•	•
Animal and vegetable fats	•	•	•	•	•	•	•	•
Diesel oil	•	•	•	•	•	•	•	•
Petrol	•	•	•	•	•	•	•	•
Acidic cleaning agents	-	-	-	-	-	-	-	-
Soap solutions up to approx. 50°C	•	•	•	•	•	•	•	•



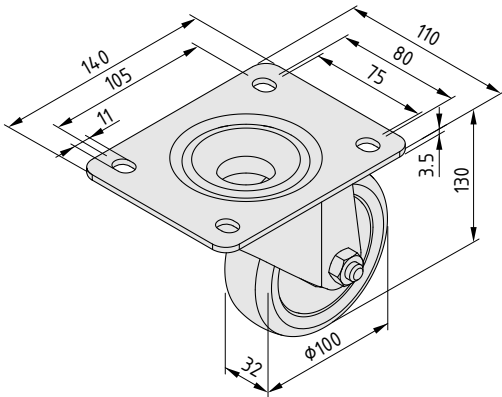
The specified carrying capacities are maximum values under ideal operating conditions, at walking speed (max. 4 km/h) and over smooth and flat surfaces. If the floor is uneven and weight badly distributed, the load on the castor should be calculated in accordance with the following formula:

$$F = \frac{\text{dead weight of frame | trolley + payload}}{\text{Number of castors} - 1}$$



The following applies to all the products below:

- Fork, St, bright zinc-plated
- Wheel axle with ball bearing
- Dust shield
- Wheel body PA
- Tyre TPU, 94 Sh A, grey



Castor D100 swivel 140x110

Load-carrying capacity 200 kg/Castor
m = 1.1 kg

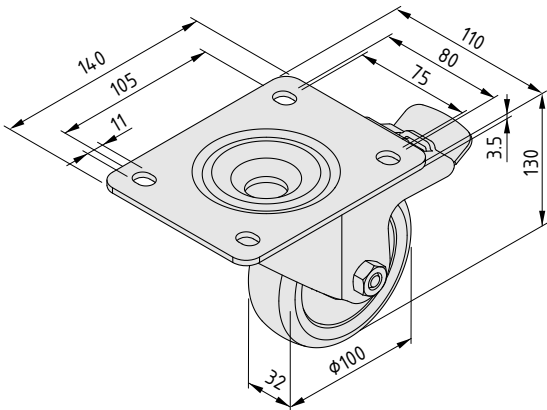
1 pce. 0.0.667.16

Castor D100 swivel 140x110 ESD



Load-carrying capacity 130 kg/Castor
m = 1.1 kg

1 pce. 0.0.667.17



Castor D100 swivel with double-brake 140x110

Load-carrying capacity 200 kg/Castor
m = 1.4 kg

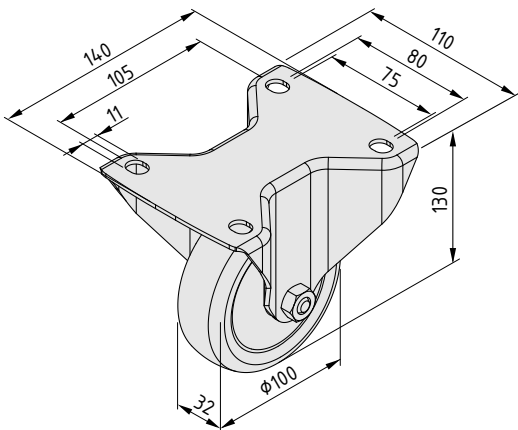
1 pce. 0.0.667.18

Castor D100 swivel with double-brake 140x110 ESD



Load-carrying capacity 130 kg/Castor
m = 1.4 kg

1 pce. 0.0.667.19



Castor D100 fixed 140x110

Load-carrying capacity 200 kg/Castor
m = 800.0 g

1 pce. 0.0.667.20

Castor D100 fixed 140x110 ESD

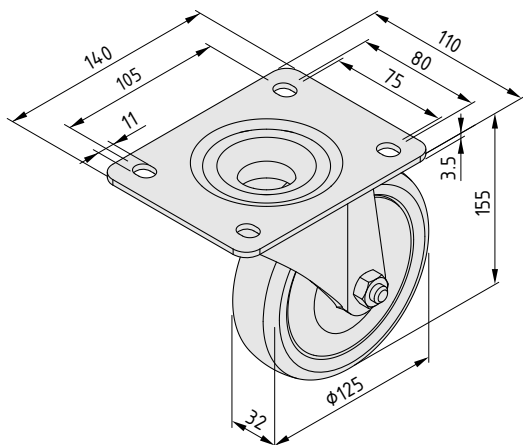


Load-carrying capacity 130 kg/Castor
m = 800.0 g

1 pce. 0.0.667.21

The following applies to all the products below:

- Fork, St, bright zinc-plated
- Wheel axle with ball bearing
- Dust shield
- Wheel body PA
- Tyre TPU, 94 Sh A, grey



Castor D125 swivel 140x110

Load-carrying capacity 250 kg/Castor
m = 1.3 kg

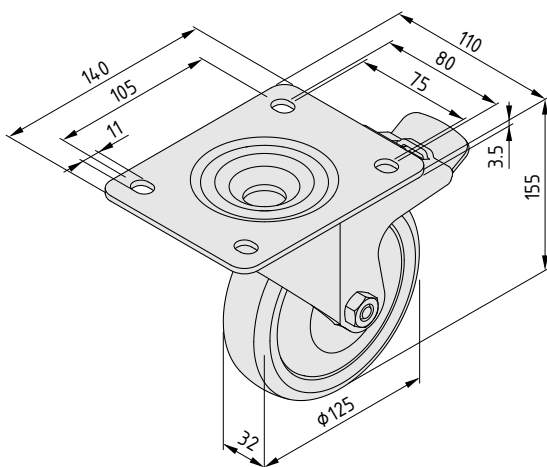
1 pce. 0.0.667.22

Castor D125 swivel 140x110 ESD



Load-carrying capacity 160 kg/Castor
m = 1.3 kg

1 pce. 0.0.667.23



Castor D125 swivel with double-brake 140x110

Load-carrying capacity 250 kg/Castor
m = 1.5 kg

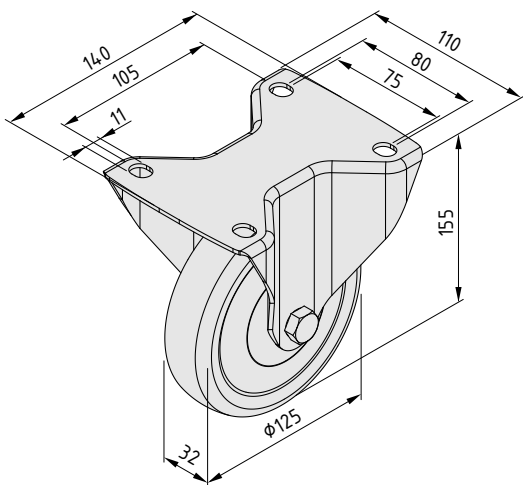
1 pce. 0.0.667.24

Castor D125 swivel with double-brake 140x110 ESD



Load-carrying capacity 160 kg/Castor
m = 1.5 kg

1 pce. 0.0.667.25



Castor D125 fixed 140x110

Load-carrying capacity 250 kg/Castor
m = 1.0 kg

1 pce. 0.0.667.26

Castor D125 fixed 140x110 ESD

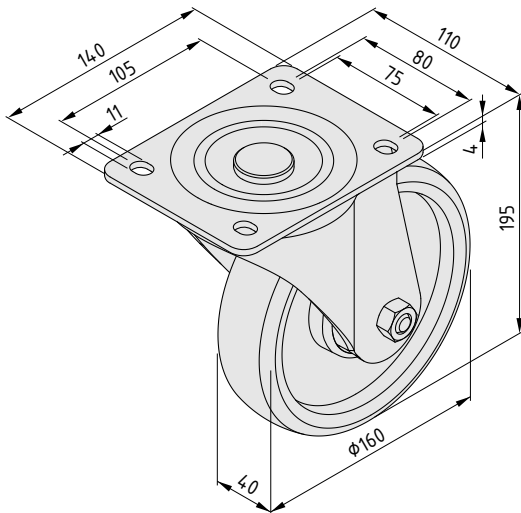


Load-carrying capacity 160 kg/Castor
m = 1.0 kg

1 pce. 0.0.667.27

The following applies to all the products below:

Fork, St, bright zinc-plated
 Wheel axle with ball bearing
 Dust shield
 Wheel body PA
 Tyre TPU, 94 Sh A, grey



Castor D160 swivel 140x110

Load-carrying capacity 400 kg/Castor
 m = 2.1 kg

1 pce. 0.0.667.29

Castor D160 swivel 140x110 ESD



Load-carrying capacity 260 kg/Castor
 m = 2.1 kg

1 pce. 0.0.667.30

Castor D160 swivel with double-brake 140x110

Load-carrying capacity 400 kg/Castor
 m = 2.6 kg

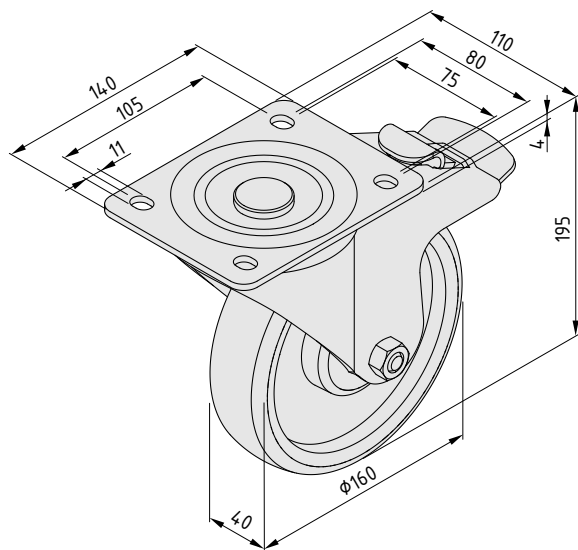
1 pce. 0.0.667.31

Castor D160 swivel with double-brake 140x110 ESD



Load-carrying capacity 260 kg/Castor
 m = 2.6 kg

1 pce. 0.0.667.32



Castor D160 fixed 140x110

Load-carrying capacity 400 kg/Castor
 m = 1.4 kg

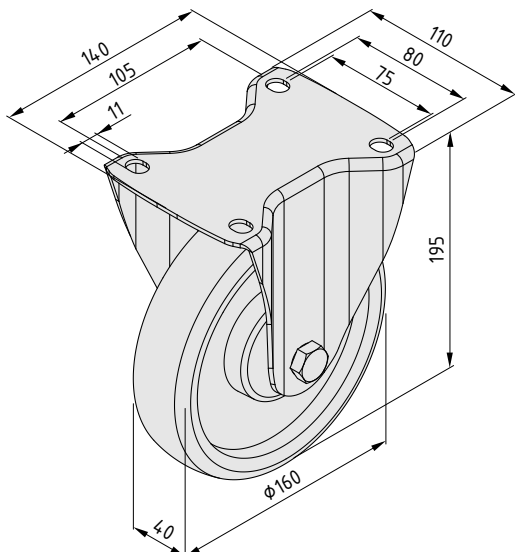
1 pce. 0.0.667.33

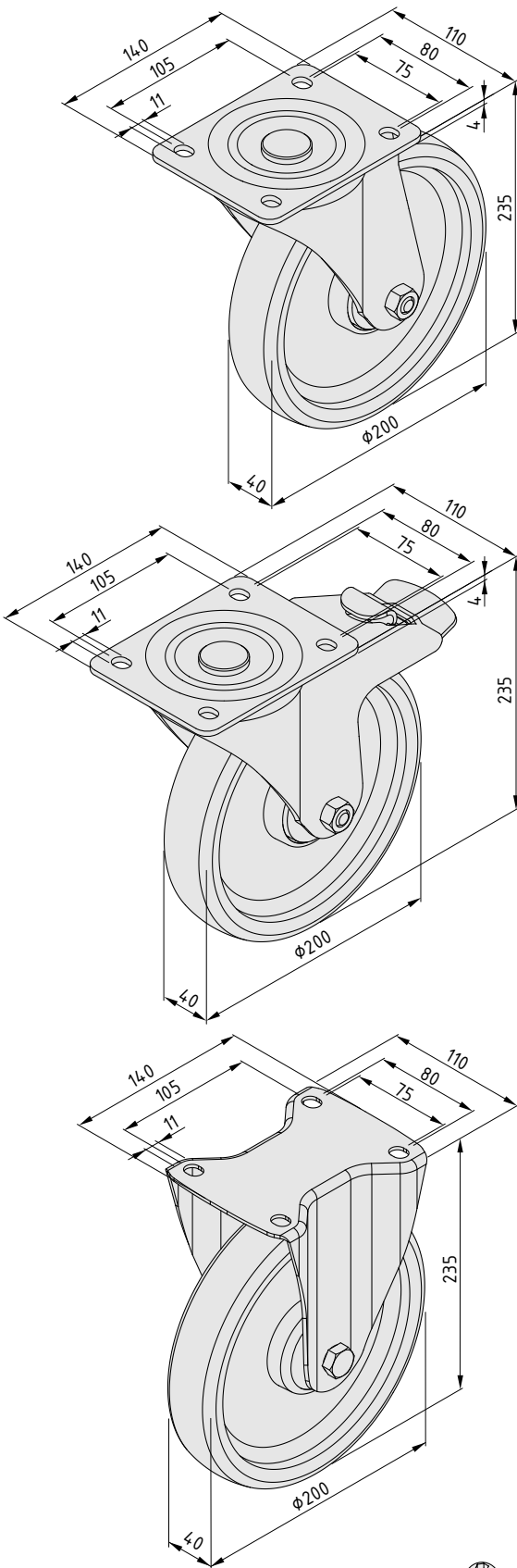
Castor D160 fixed 140x110 ESD



Load-carrying capacity 260 kg/Castor
 m = 1.4 kg

1 pce. 0.0.667.34





Castor D200 swivel 140x110

Load-carrying capacity 400 kg/Castor
m = 2.4 kg

1 pce. 0.0.667.35

Castor D200 swivel 140x110 ESD



Load-carrying capacity 260 kg/Castor
m = 2.4 kg

1 pce. 0.0.667.36

Castor D200 swivel with double-brake 140x110

Load-carrying capacity 400 kg/Castor
m = 2.9 kg

1 pce. 0.0.667.37

Castor D200 swivel with double-brake 140x110 ESD



Load-carrying capacity 260 kg/Castor
m = 2.9 kg

1 pce. 0.0.667.38

Castor D200 fixed 140x110

Load-carrying capacity 400 kg/Castor
m = 1.6 kg

1 pce. 0.0.667.39

Castor D200 fixed 140x110 ESD



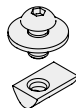
Load-carrying capacity 260 kg/Castor
m = 1.6 kg

1 pce. 0.0.667.40



Note:

Order the number of Fastening Sets 8 for Castor swivel/fixed (0.0.670.18) that you need for your installation scenario. The castors can be screwed to the frame with three or four fastening sets. Swivel locks use two holes and are supplied with adapted fastening elements.



Fastening Set 8 for Castor swivel/fixed 140x110



Button-Head Screw ISO 7380 M8x16, St, bright zinc-plated
Washer ISO 7093-2-8-200 HV, St, bright zinc-plated
T-Slot Nut 8 St M8, St, bright zinc-plated
m = 25.0 g

1 set 0.0.670.18



Swivel Locks for Swivel Castors 140x110

- For Castors with an integrated connecting plate
- Fixes the direction of travel of a Swivel Castor
- Operated by foot

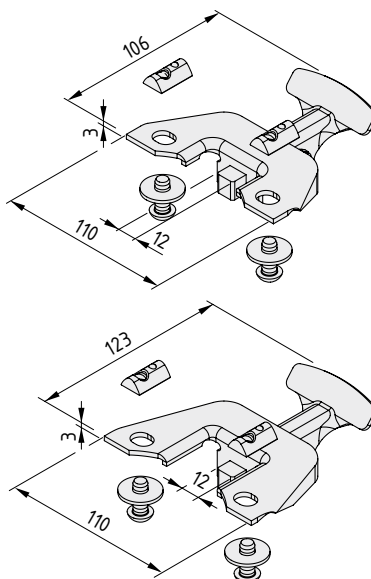
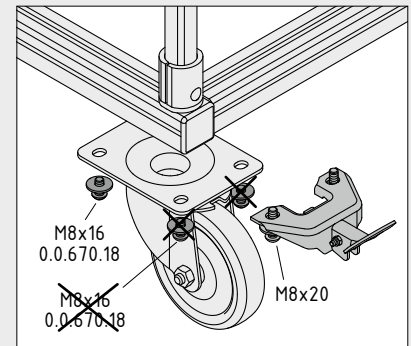
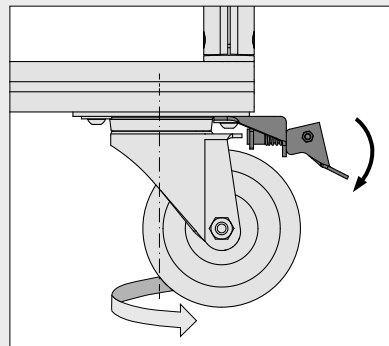
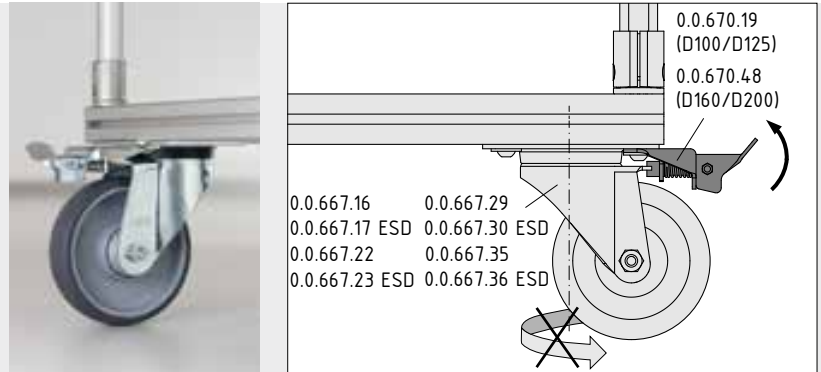


For control and manoeuvrability: Swivel locks temporarily convert a swivel castor into a fixed castor. As a result, users benefit from the advantages of both concepts. While using four swivel castors ensures transport trolleys can be precisely positioned, one pair should be fixed so that the trolley can be relied on to travel in a straight line during transport.

The swivel lock is easily operated by foot, with no need to bend over. It can also be retrofitted to swivel castors that have a 140x110 connecting plate. The necessary fastening elements are included in the scope of supply. Swivel Lock D100/D125 (0.0.670.19) and Swivel Lock D160/D200 (0.0.670.48) are available to suit the relevant castor sizes.

Note: Swivel locks cannot be fitted to a swivel castor with double-brake and are not a locking brake for the wheel. They cannot be fitted to castors with the narrow integrated 120x40 connecting plate either.

Swivel Locks for swivel castors are supplied with appropriate fastening elements (two Button-Head Screws M8x20). Fastening Set 8 for Castor swivel/fixed 140x110 (Button-Head Screw M8x16) is only installed in holes not used to fit a swivel lock.



Swivel Lock for Castor D100/D125 swivel 140x110



Swivel Lock for Castor D100/D125 swivel 140x110, St, bright zinc-plated
 2 Button-Head Screws ISO 7380 M8x20, St, bright zinc-plated
 2 Washers ISO 7093-2-8-200 HV, St, bright zinc-plated
 2 T-Slot Nuts 8 St M8, St, bright zinc-plated
 m = 301.0 g

1 set

0.0.670.19

Swivel Lock for Castor D160/D200 swivel 140x110



Swivel Lock for Castor D160/D200 swivel 140x110, St, bright zinc-plated
 2 Button-Head Screws ISO 7380 M8x20, St, bright zinc-plated
 2 Washers ISO 7093-2-8-200 HV, St, bright zinc-plated
 2 T-Slot Nuts 8 St M8, St, bright zinc-plated
 m = 334.0 g

1 set

0.0.670.48

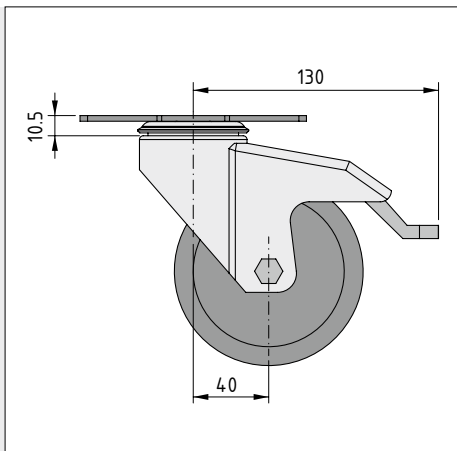


Castors D100 swivel with Connecting Plate 120x40

- Narrow connecting plate
- 80 kg load-carrying capacity



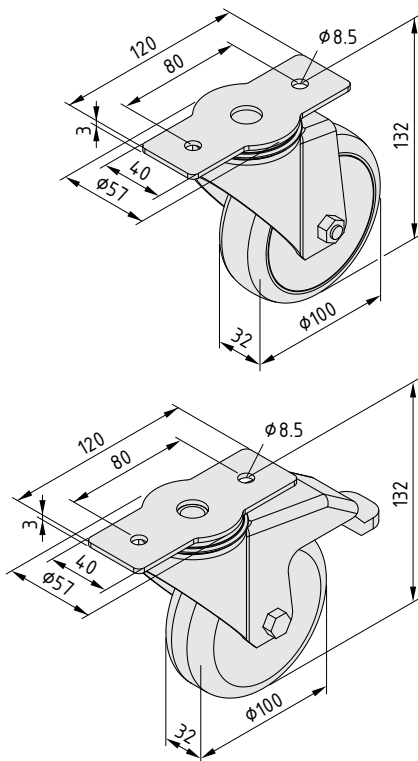
Perfect for small, manoeuvrable trolleys: item Castors D100 swivel are supplied with an integrated, narrow connecting plate. This means the swivel castors can be secured in place without the need for additional base plates. Featuring two holes, the connecting plate can be screwed to the profile grooves or the core bore of Line 8 profiles.



Note:
You can find a whole range of Castors with and without integrated connecting plates in the Comprehensive Catalogue for the MB Building Kit System and online at: item24.de/en

The following applies to all the products below:

- Steel sheet casing bright, zinc-plated, black
- Swivelling axis with sealed ball bearing
- Wheel axle with sealed ball bearing
- Dust shield
- Tyre TPE, track-free, 90 Sh A, grey
- Load-carrying capacity 80 kg/Castor



Castor D100 swivel 120x40

m = 641.0 g	
1 pce.	0.0.633.43

Castor D100 swivel 120x40 ESD

m = 654.0 g	
1 pce.	0.0.633.44

Castor D100 swivel with double-brake 120x40

m = 761.0 g	
1 pce.	0.0.639.13

Castor D100 swivel with double-brake 120x40 ESD

m = 773.0 g	
1 pce.	0.0.633.45



Flange D30-90x90

- Simple and universal
- For mounting on a wall, floor or any other surface
- Also suitable for two (Profile) Tubes D30




The universal wall and floor fixing: Flange D30-90x90 connects frames to any solid surface. Simply screw into place and it holds!

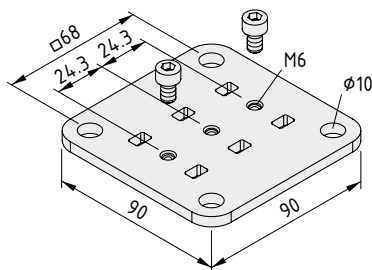
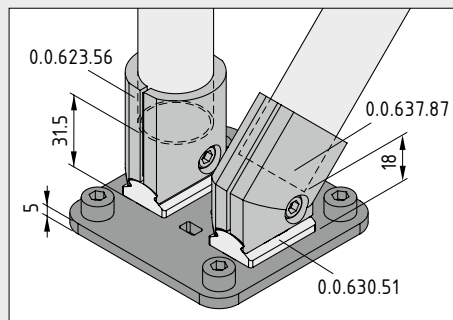
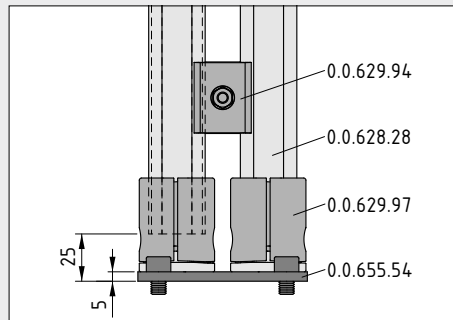
The three M6 holes in the centre can be used to fix one or two (Profile) Tubes D30 to a Flange D30-90x90. Adapter 8 D30 (0.0.630.51) or End Connector 8 D30-90° (0.0.629.97) are used for this purpose. Profile tubes that run parallel to each other can also be connected together using a Parallel Fastener D30.

The four M10 holes in the corners are used to make the connection with the wall or floor. Screw Anchor ST 10x110 (0.0.688.05) or Floor-Fastening Set M10x135 (0.0.485.82) are used to secure the Flange to the subfloor.



End Connector 8 D30-90°  61

Adapter 8 D30  63



Flange D30-90x90

Flange 90x90, St, bright zinc-plated
2 screws DIN 912 M6x8, St, bright zinc-plated
m = 300.0 g

1 set

0.0.655.54





Flange D30 90x90-80

- Integrated fastener
- High load-carrying capacity
- Fasten to floors and walls

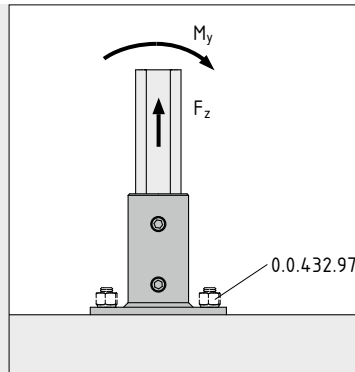


Unshakeable! Flange D30 90x90-80 is the exceptionally strong floor fixing for lean frames. The integrated fastener on the connecting plate encompasses the Profile Tube and resists strong displacement forces. The plate is bolted to a solid surface (floor, wall or steel beam).

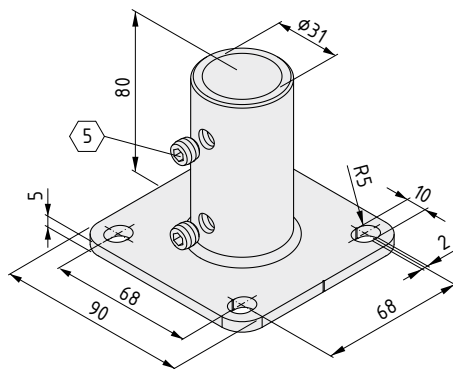
Due to the high flexural strength of the Flange, it is strongly advised to use it with Profile Tube D30 heavy duty. The increased wall thickness stops the Profile Tube from bending.

The Flange is fixed in place using Floor-Fastening Set M8x95 (0.0.432.97). The distance between the fixing holes is the same as on Flange D30-90x90 (0.0.655.54).

Note: In addition to the maximum load-carrying capacity of the Flange, it is important to take into account the load limits of the adjacent components in the construction.



$M_y = 200 \text{ Nm}$
 $F_z = 1000 \text{ N}$



Flange D30 90x90-80



Flange D30 90x90-80, St, bright zinc-plated
 Grub screw DIN 913-M10x8, St, bright zinc-plated
 m = 594.0 g

1 pce.

0.0.696.05



Knuckle Feet

- Threaded spindles provide stepless height adjustment
- Slope compensation via ball-and-socket joint
- Metal or plastic foot plate

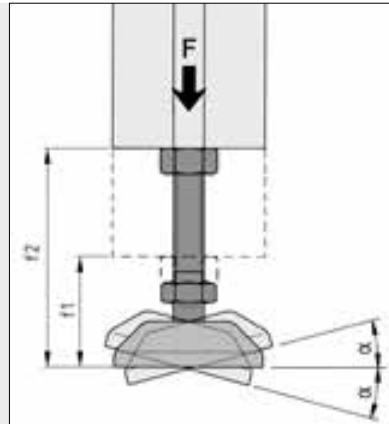


Dual use: item levelling Knuckle Feet compensate for unevenness in floor surfaces and create a stable footing. They are steplessly height adjustable and have a ball joint that compensates for sloping floor surfaces.

The Knuckle Feet are installed into Threaded Inserts D30.

The minimum foot height is obtained by removing the counter nut. Use item Foot Clamps to fasten them to the floor.

Threaded Inserts D30 72



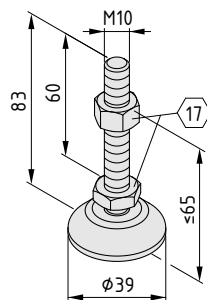
A ball and socket joint compensates for slopes.

Adjustable Foot	f1 _{min}	f2 _{max}	Load F (vertical)	Slope α
D40, M10x80	32 mm	65 mm	1500 N	15°
D40, M10x80 stainless	31 mm	65 mm	12500 N	7°



Note:

Additional Adjustable Feet, Knuckle Feet and Foot Clamps for fastening feet to the subfloor can be found in the Comprehensive Catalogue for the MB Building Kit System and in the item Online Shop: item24.de/en/shop



Knuckle Foot D40, M10x80

Spindle, St, bright zinc-plated
Foot plate, PA, grey similar to RAL 7042
Hexagon nut DIN 934 M10-I81, St, bright zinc-plated
m = 65.0 g

grey similar to RAL 7042, 1 pce.

0.0.637.01

Knuckle Foot D40, M10x80

Spindle, St, stainless
Foot plate, St, stainless
Hexagon nut DIN 934 M10-5, St, stainless
m = 143.0 g

stainless, 1 pce.

0.0.640.57





Material flow

Getting your production in full swing: Roller conveyors are an efficient solution for organising material flow. Containers, finished parts and consumables roll almost effortlessly to the station where they are to be used. Item roller conveyors can be suspended on frames or boost the stability of a mobile transport solution as a load-bearing element.

Ingenious picking solutions ensure that work benches can rely on continuous supplies. Whether heavy workpieces or sensitive components, the Lean Production Building Kit System offers the ideal solution for every application. While wide rollers can transport objects such as cardboard boxes

that have soft bases safely from A to B, castor balls can help users move workpiece carriers in all directions.

All item roller conveyors are delivered preconfigured with the desired roller elements. If required, they can also be supplied in the desired length, so that you can install and use them straight away.

Also included in this section are Drawbars for building complete trailers and low-abrasion Slide Strips as an alternative solution for goods transport.

Products in this section



Roller Conveyor St D30

- The robust basic roller conveyor
- Steel-covered castors available

122



Roller Conveyor St Fastening Brackets D30

- Rapid fixing at any angle
- Secure transition at gradient changes

#R01#



Roller Conveyor St Guide Rails

- Side guidance for containers
- Two variants for different application scenarios

135



Roller Conveyor St 60x24 D15

- Low construction height and high bending strength
- Wide rollers for transporting goods with uneven bases

138



Roller Conveyor 60 Fastening Brackets D30

- Strong and secure
- Simple transitions
- Safe end stop

140



Fastening Profile D30-60

- Fastens Guide Rails e 4 to Roller Conveyor St 60
- Additional frame-fixing option

143



Guide Rail e 4

- Robust railing for Roller Conveyor St 60
- Adds extra rigidity to roller conveyor

144



Roller Conveyor 6 40x40 E D30

- Wide selection of roller elements
- High bending strength
- Suitable as a load-bearing element

146



Roller Conveyor 6 40x40 Al Fastening Brackets D30

- Optimised transition between two Roller Conveyors 6 E D30
- Suitable for roller conveyors in widths of 40 and 80 mm

149



Back Stops D4-23

- Stop loads falling out
- Stop transported goods rolling back

154



Roller Conveyor 6 80x40 E D30

- Wide rollers for transporting goods with uneven bases
- High bending strength

155



Roller Conveyor 6 80x40 Fastening Brackets D30

- Fasten Roller Conveyor 6 80x40 to (Profile) Tubes D30
- Also available with integrated stop

157



Roller Conveyor 6 40x40 E Guide Rails

- Stable side guides in two widths
- Add extra rigidity to all Roller Conveyors 6 E D30

158



Roller Conveyor 6 E components

- For building customised roller conveyors
- Spare parts for roller elements and rails

161



Castor Ball Insert D16-33 ESD

- For Roller Conveyor 6 40x40 E D30
- Tight packing density
- Variable conveying height

166



Roller Conveyor 8 D30

- Huge selection of roller elements and inserts
- Suitable for Interlinking work benches

167



Roller Conveyor AI, Fastening Brackets D30

- A firm hold for Castor Rail 8 40x40
- Also available with integrated stop

174



Castor Rail 8 Caps

- Safely cover over cut edges
- Also available with integrated stop

177



Conveyor Rollers TR30

- Transport roller conveyors with end-to-end aluminium or plastic rollers
- Low angle of inclination

179



Slide Link D30

- Robust metal fitting for simple workpiece removal
- Installed in no time

182



Slide Strip D30

- Plastic slide strips for the simplest conveyor lines
- Also suitable as simple scratch protection

183



Brush Strip D30

- Gentle guidance for sensitive components
- Variants for several mounting locations
- Screw-free installation

185



Roller D46/D30

- Uses (Profile) Tube D30 as an axle
- For smooth-running material flow

186



Drawbars D25-686

- Suitable for high trailer loads
- Ergonomic self-lifting mechanism available

187



Drawbar D25-610

- Low dead weight
- Ergonomic self-lifting mechanism

190



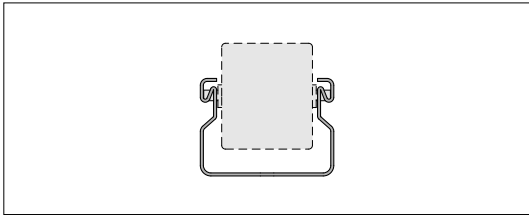
Handle D30 KH 300

- Ergonomic and standard-compliant design
- Secured against torsion

192

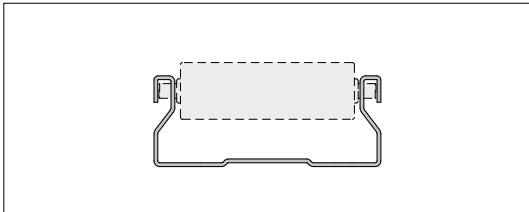
An overview of the item roller conveyors

The six product lines have been optimised for different installation scenarios and tasks. Their support profiles differ in terms of their shape, grooves and material. All item roller conveyors can be ordered fully assembled and in custom lengths. All you have to do is unpack it, install it and start using it! Alternatively, you can cut the profiles of the roller conveyors to size on site, which is ideal for your CIP workshop.



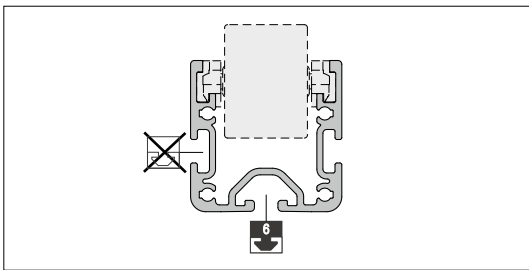
Roller Conveyor St D30

- The robust basic roller conveyor
- Steel profile that is easy to machine
- Hung on frames at any angle
- Huge selection of roller elements; steel-covered castors available



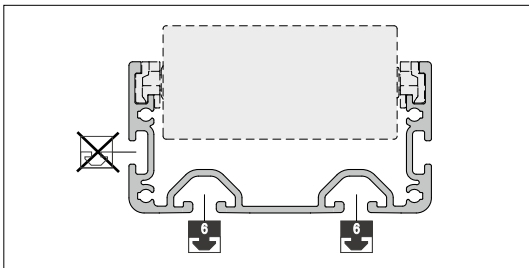
Roller Conveyor St 60x24 D15

- Extra flat, extra wide, extra strong
- Rollers D15 for maximum contact
- High bending strength
- Suitable as load-bearing component when used with Fastening Profile



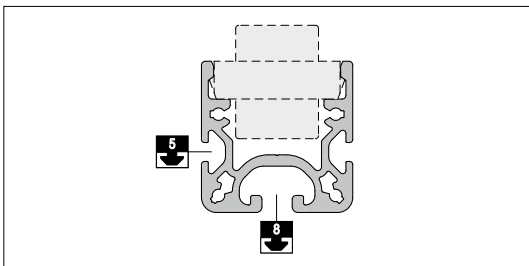
Roller Conveyor 6 40x40 E D30

- Ideal for Karakuri/LCA solutions
- Huge selection of roller elements, including Braking Castors
- Roller elements can be changed without tools
- Highly rigid and suitable as load-bearing element in frames



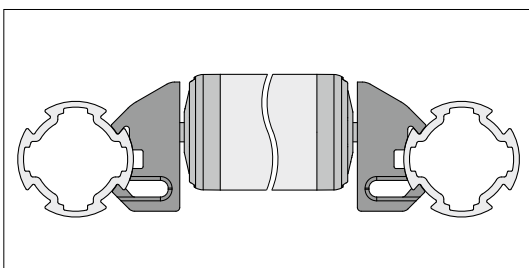
Roller Conveyor 6 80x40 E D30

- All the benefits of Roller Conveyor 6 E in double the width
- Wide roller elements for transporting goods with less robust bases
- Roller elements can be changed without tools
- Highly rigid and suitable as load-bearing element in frames



Roller Conveyor 8 D30

- Large range of roller elements and inserts such as brushes and castor balls
- Very rigid – ideal for inherently stable frames in Karakuri/LCA applications
- Features system grooves at sides and on underside
- Particularly suitable for interlinking work benches



Conveyor Rollers TR30

- End-to-end rollers in custom widths
- Rollers available in aluminium or plastic
- Very low angle of inclination is sufficient
- Tool-free roller installation and replacement

Comparison: The right roller conveyor for every task

Roller conveyor model		St D30				St 60x24 D15	6 40x40 E D30			
Castor		D30-23	D30-23 with Flanged Wheel	D30/2-23	D30-23 with Steel Tyres	D15	D30-23	D30-23 with Flanged Wheel	D30/2-23	D11-23
Conveyed load	SLC, smooth base	• •	• • •	• •	• •	• • •	• •	• • •	• •	• • •
	SLC, honeycomb base	• •	•	•	• •	• • •	• •	•	•	• • •
	Card box, small	•	• •	• •	•	• • •	•	• •	• •	• • •
	Card box, large	–	–	–	–	• • •	–	–	–	–
	Carriers made of hollow chamber panels	• •	• • •	•	• •	• • •	• •	• • •	•	•
	Plain parts	•	•	• •	•	• • •	•	•	• •	• •
	Trays	• •	• • •	•	•	• •	• •	• • •	•	•
	Workpiece carrier	• •	• • •	• •	• •	• •	• •	• • •	• •	• •
Usage	LCA	•	•	•	•	• •	• •	• • •	• •	• •
	Work bench interlinking	•	•	•	•	• •	• •	• •	• •	• •
	Flow rack	• •	• •	• •	• •	• • •	• • •	• • •	• • •	• • •
	AGV	•	•	•	•	• •	• • •	• • •	• • •	• • •
Technical properties	Deflection	•	•	•	•	• •	• •	• •	• •	• •
	Efficiency	•	•	•	•	• •	• •	• •	• • •	•
	Scope for customisation	•	•	•	•	–	• • •	• • •	• • •	• •
	Use as a structural component	•	•	•	•	• • •	• • •	• • •	• • •	• • •
	Accessories	• •	• •	• •	• •	• •	• • •	• • •	• • •	• •
	Clearances	•	•	•	•	• • •	• • •	• • •	• • •	• • •
	Wear resistance	•	•	•	• • •	• •	• •	• •	• •	• •
	Attachment options	• •	• •	• •	• •	• • •	• • •	• • •	• • •	• • •

– Not advisable • Degree of suitability

Roller conveyor model	6 80x40 E D30	8 D30			TR 30 KU	TR 30 AI	
							
Castor	D30-23	D30	D30 with Flanged Wheel	4xD11			
Conveyed load	SLC, smooth base	• • •	•	• • •	• • •	• • •	
	SLC, honeycomb base	• • •	•	•	• • •	• • •	
	Card box, small	• • •	—	• •	• • •	• • •	
	Card box, large	• •	—	—	—	• • •	• • •
	Carriers made of hollow chamber panels	• • •	•	• • •	•	• • •	• • •
	Plain parts	• • •	•	•	• •	• • •	• • •
	Trays	•	•	• • •	•	• •	• •
	Workpiece carrier	• •	• •	• • •	• •	• • •	• • •
Usage	LCA	• •	• • •	• • •	• • •	• •	• •
	Work bench interlinking	•	• • •	• • •	• • •	• •	• •
	Flow rack	• • •	• • •	• • •	• • •	• •	• •
	AGV	• • •	• • •	• • •	• • •	• •	• •
Technical properties	Deflection	• •	• • •	• • •	• • •	•	• • •
	Efficiency	• •	• •	• •	• •	• • •	• • •
	Scope for customisation	•	• •	• • •	• •	•	•
	Use as a structural component	• • •	• • •	• • •	• • •	• • •	• • •
	Accessories	• •	• • •	• • •	• • •	•	•
	Clearances	• • •	• •	• •	• •	• •	• •
	Wear resistance	• •	• •	• •	• •	•	• • •
	Attachment options	• • •	• • •	• • •	• • •	• •	• •

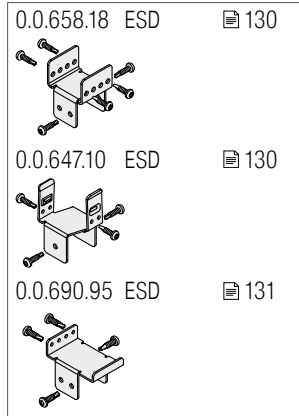


Tip:
This comparison table is designed to help you make an initial judgment on the right roller conveyor for your needs. Before placing a final order, item recommends testing your preferred model with the goods it will be used to transport. Your customer adviser will be happy to help.

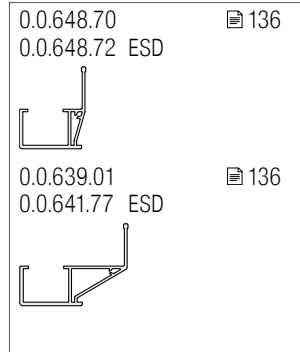
— Not advisable • Degree of suitability

Roller Conveyor St D30

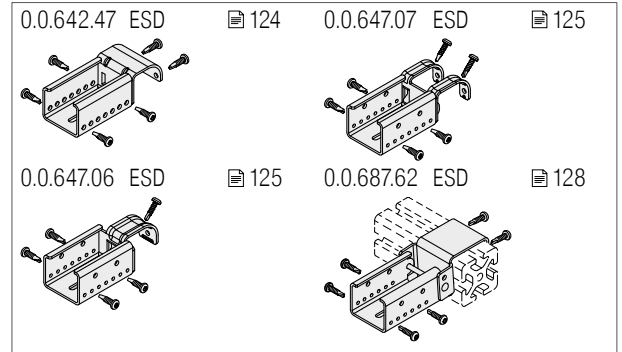
Supports



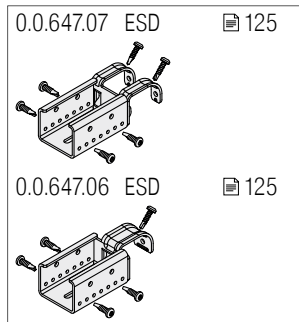
Guide Rails e



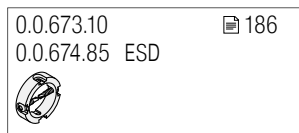
Roller Conveyor Fastening Brackets



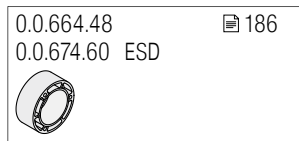
Roller Conveyor Fastening Brackets U and I



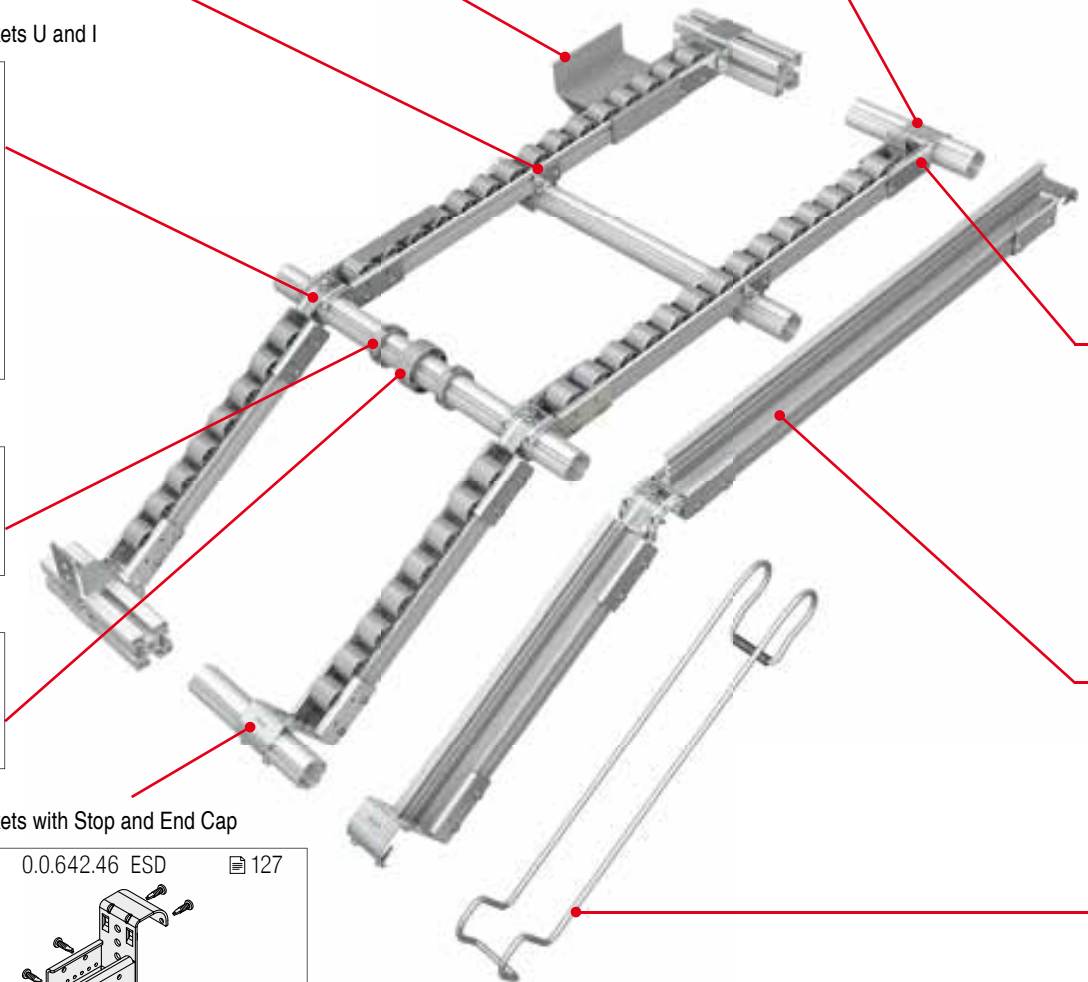
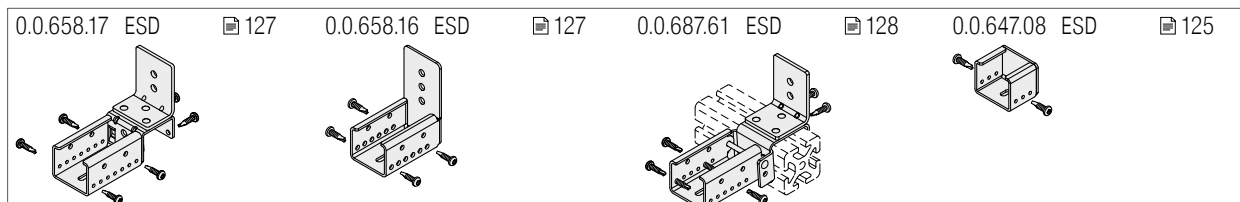
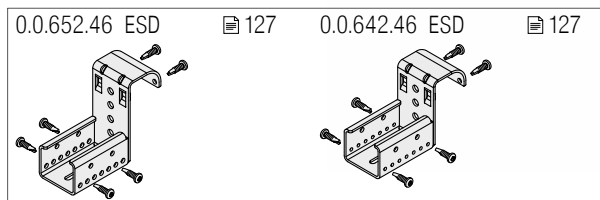
Fastening Ring





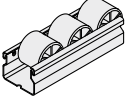
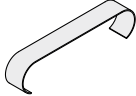


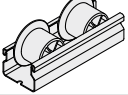



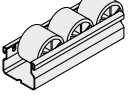
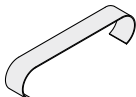


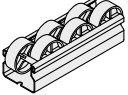
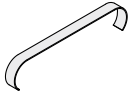
Roller D46



Roller Conveyor Fastening Brackets with Stop and End Cap

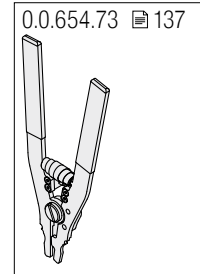


Roller conveyors

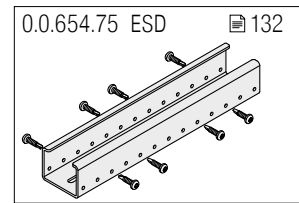
0.0.633.91 0.0.637.55 ESD	 122	0.0.647.76 ESD	 133
			
0.0.633.92 0.0.637.56 ESD	 123	0.0.647.76 ESD	 133
			
0.0.650.74 Steel-covered	 123	0.0.647.76 ESD	 133
			
0.0.648.91 0.0.648.94 ESD	 123	0.0.650.55 ESD	 133
			

Brakes

Assembly Pliers



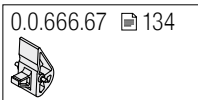
Roller Conveyor Butt Fastener



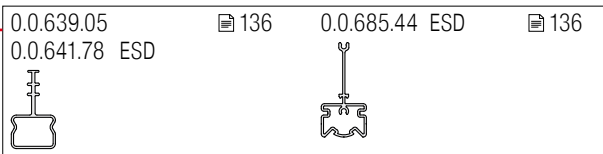
Retaining Plate, Guide Rail e



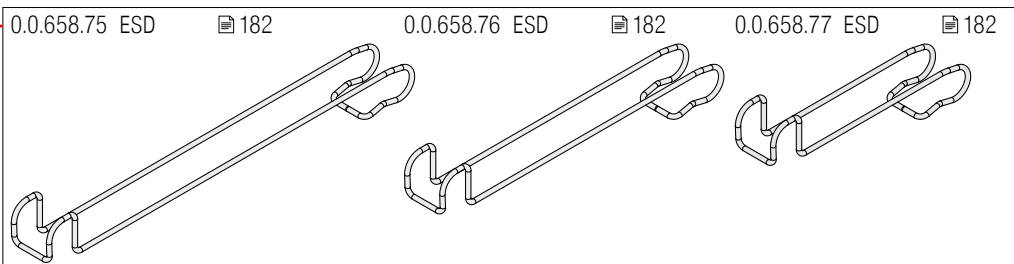
Back Stop



Guide Rails z









Slide Link




Roller Conveyor St 60x24 D15


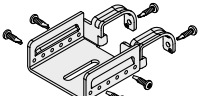
Guide Rails e

0.0.654.94  159	0.0.681.52  159	0.0.672.51 ESD  145
	0.0.696.84 ESD 	



Fastening Profile

0.0.673.85 ESD  143




Roller Conveyor Fastening Bracket

0.0.674.02 ESD  140



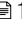

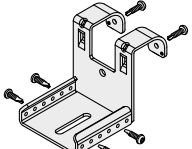
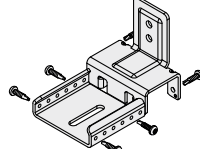
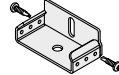
Fastening Ring

0.0.673.10  186
0.0.674.85 ESD 

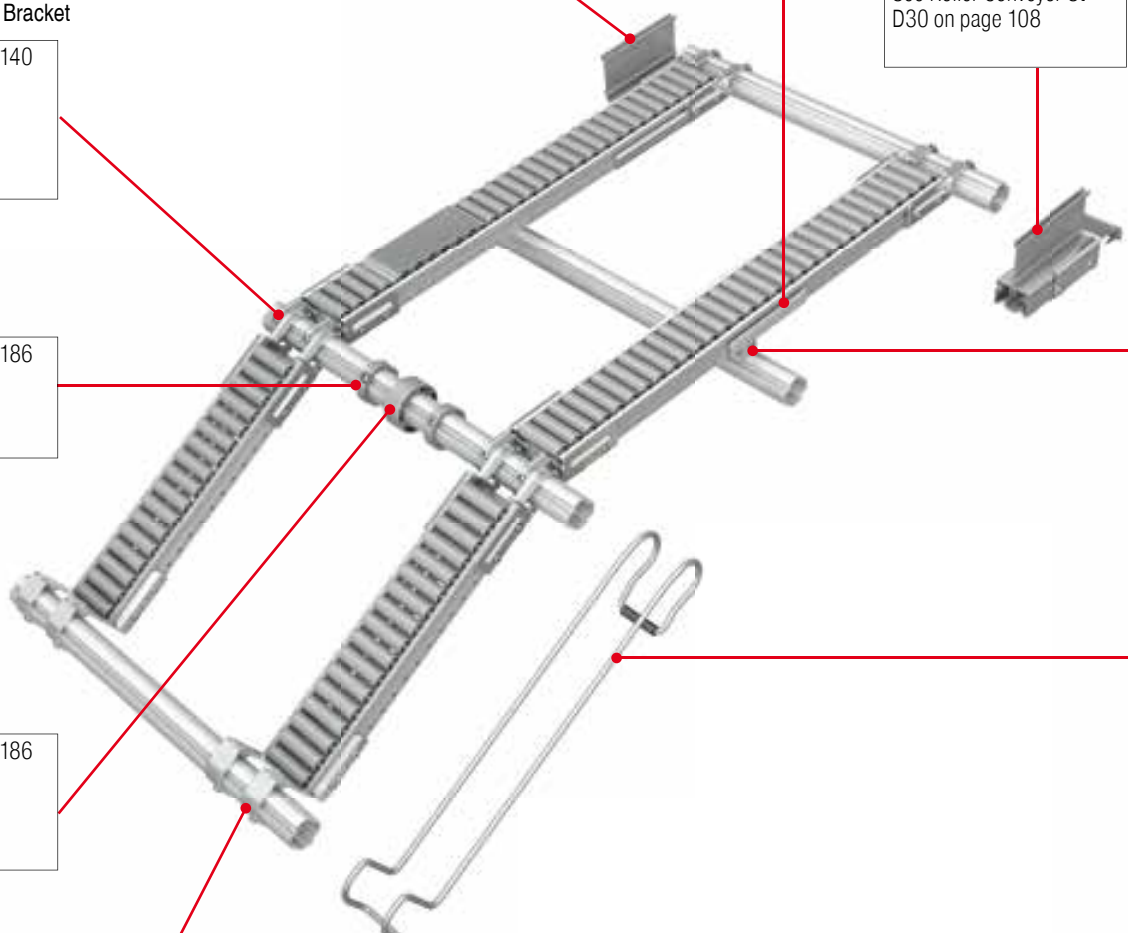
Roller D46

0.0.664.48  186
0.0.674.60 ESD 

Roller Conveyor Fastening Brackets with Stop and End Cap

0.0.674.03 ESD  140	0.0.681.84 ESD  141	0.0.677.02 ESD  141
		

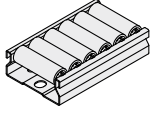
See Roller Conveyor St D30 on page 108



Roller conveyor

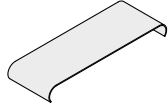
0.0.670.87
0.0.673.73 ESD

139



Brake

0.0.677.62 ESD 142



Transverse Fastener

0.0.637.90 ESD 40

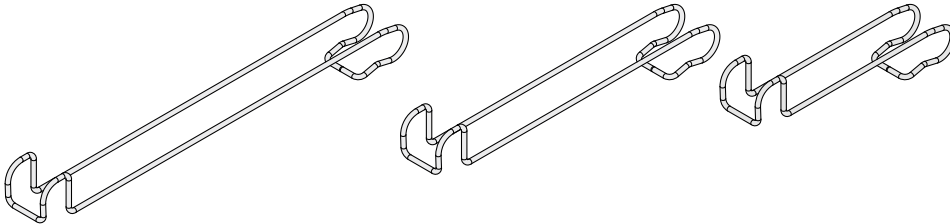


Slide Link

0.0.658.75 ESD 182

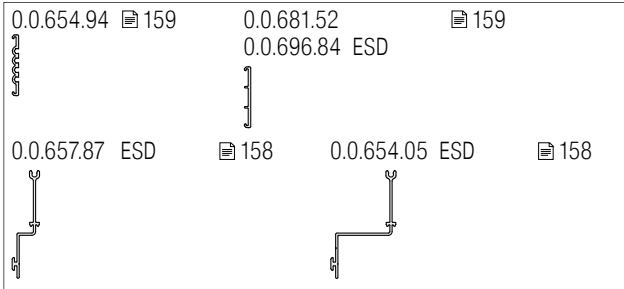
0.0.658.76 ESD 182

0.0.658.77 ESD 182

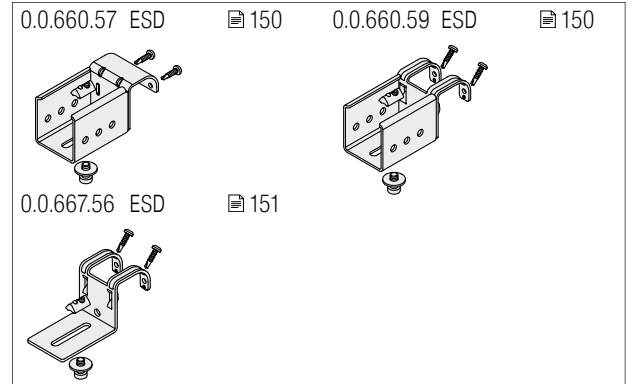


Roller Conveyor 6 40x40 E D30

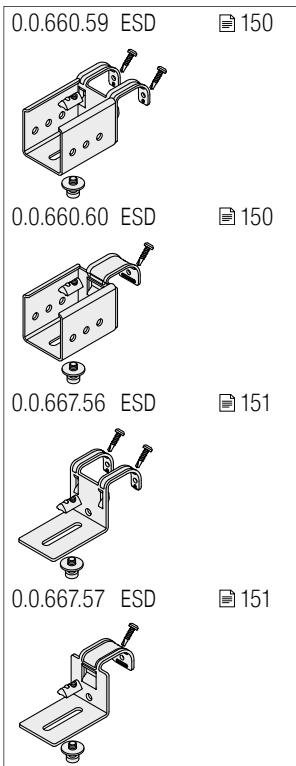
Guide Rails and Slide Strips



Roller Conveyor Fastening Brackets



Roller Conveyor Fastening Brackets U and I

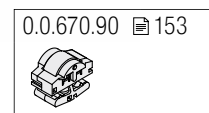


Back Stop



See Roller Conveyor St D30 on page 108

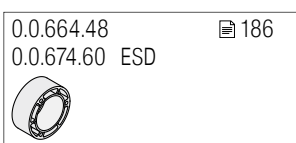
Braking Castor



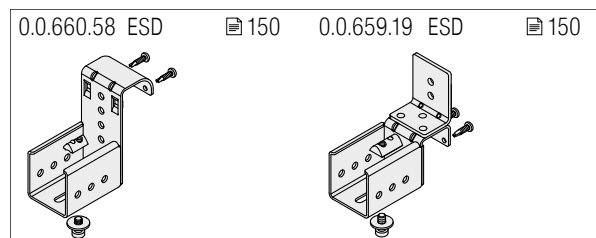
Fastening Ring



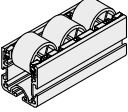


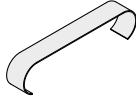
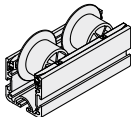

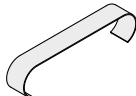
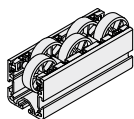


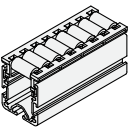

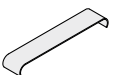
Roller D46



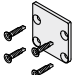
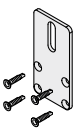
Roller Conveyor Fastening Brackets with Stop



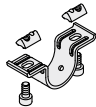
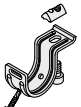
Roller conveyors

0.0.658.68 0.0.662.75 ESD 	147	Roller elements/inserts 0.0.620.36 grey 0.0.620.41 ESD black 0.0.620.42 red 0.0.620.44 yellow 0.0.620.46 green  0.0.700.18 ESD 	162	Brakes 0.0.647.76 ESD 	152
0.0.658.70 0.0.662.77 ESD 	148	0.0.620.37 grey 0.0.620.51 ESD black 0.0.620.52 red 0.0.620.54 yellow 0.0.620.56 green 	162	0.0.647.76 ESD 	152
0.0.658.72 0.0.662.79 ESD 	148	0.0.656.78 grey 0.0.656.85 ESD black 	162	0.0.661.22 ESD 	152
0.0.662.82 0.0.662.84 ESD 	148	0.0.664.56 grey 0.0.648.97 ESD black 	162	0.0.677.70 ESD 	152

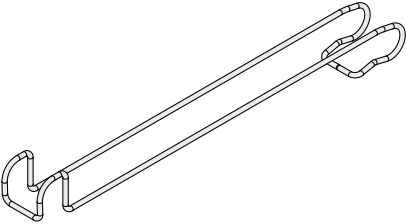
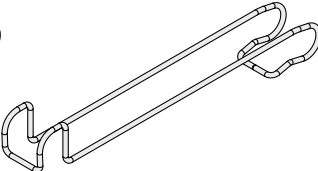
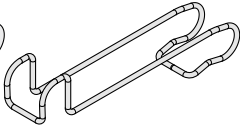
Caps

0.0.622.29 178 
0.0.622.30 178 

Brackets

0.0.658.26 ESD 87 	0.0.677.94 ESD 87 
--	--

Slide Link

0.0.658.75 ESD 182 	0.0.658.76 ESD 182 	0.0.658.77 ESD 182 
---	---	--

Roller Conveyor 6 80x40 E D30

Guide Rails and Slide Strips

0.0.654.94	159
0.0.681.52	159
0.0.696.84 ESD	
0.0.657.87 ESD	158
0.0.654.05 ESD	158

Roller Conveyor Fastening Brackets

0.0.667.54 ESD	157	0.0.667.56 ESD	151	0.0.667.57 ESD	151
----------------	-----	----------------	-----	----------------	-----

Roller Conveyor Fastening Brackets U and I

0.0.667.56 ESD	151
0.0.667.57 ESD	151

Fastening Ring

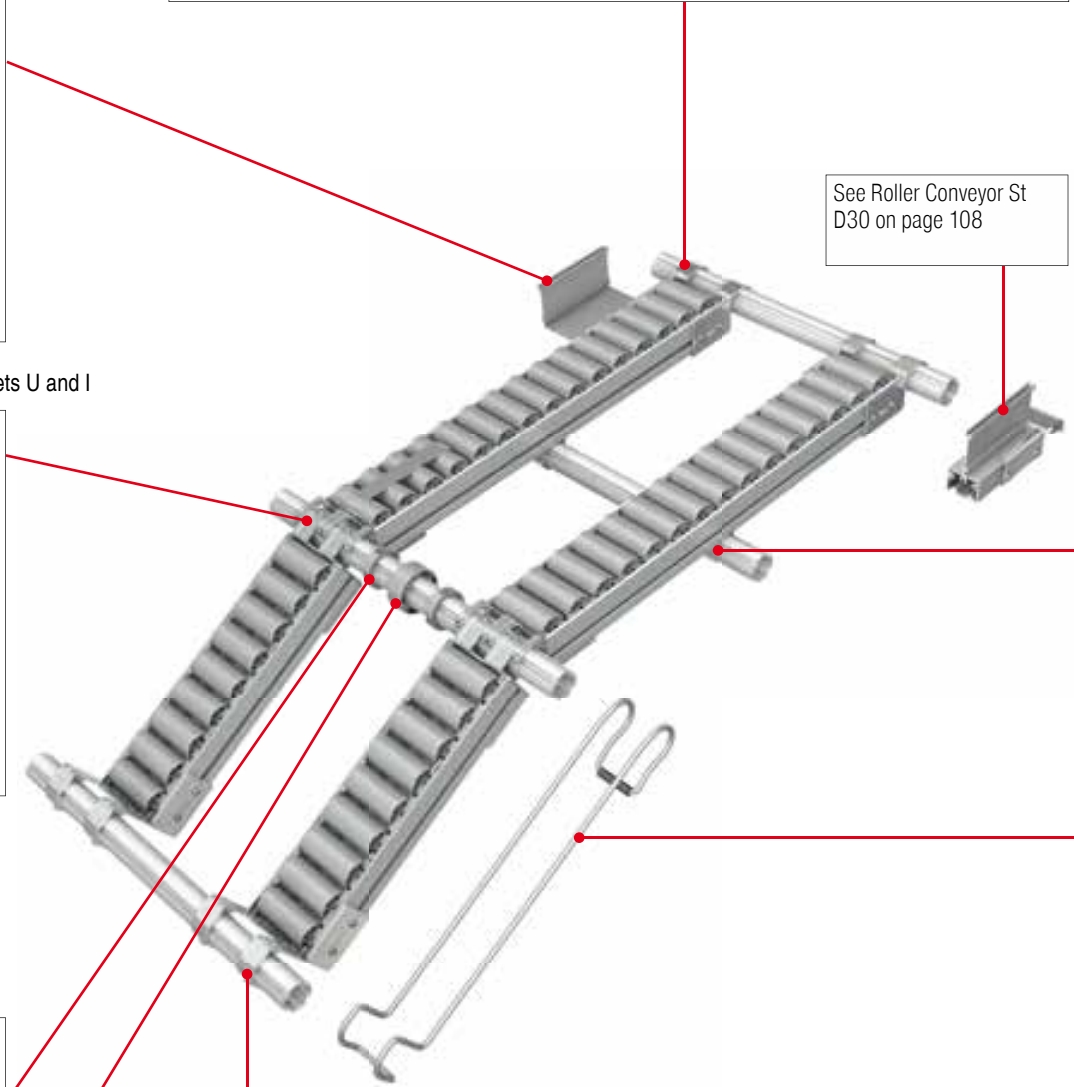
0.0.673.10	186
0.0.674.85 ESD	

Roller D46

0.0.664.48	186
0.0.674.60 ESD	

Roller Conveyor Fastening Bracket with Stop

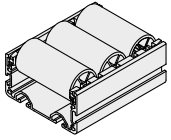
0.0.667.55 ESD	157
----------------	-----



Roller conveyor

0.0.667.48
0.0.667.49 ESD

156



Roller elements

0.0.662.97 grey
0.0.664.42 ESD black

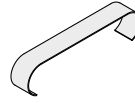
162



Brakes

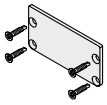
0.0.647.76 ESD

152

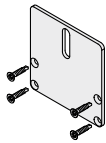


Caps

0.0.668.99 178

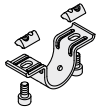


0.0.669.00 178



Brackets

0.0.658.26 ESD 87

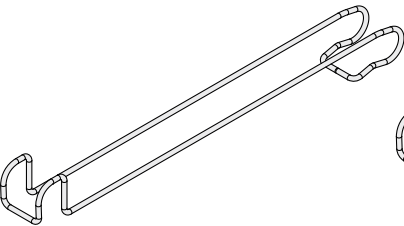


0.0.677.94 ESD 87

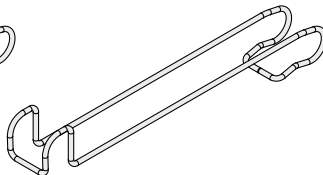


Slide Link

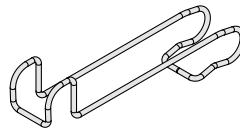
0.0.658.75 ESD 182



0.0.658.76 ESD 182


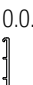





0.0.658.77 ESD 182

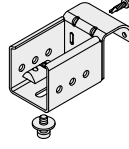
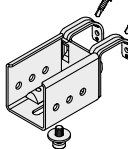
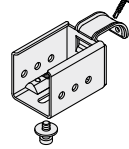


Roller Conveyor 8 D30


Guide Rails and Slide Strips

0.0.654.94  159	0.0.681.52  159
0.0.657.87 ESD  158	0.0.696.84 ESD  158
0.0.654.05 ESD  158	

Roller Conveyor Fastening Brackets


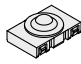
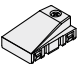
0.0.652.48 ESD  174	0.0.652.58 ESD  175	0.0.652.64 ESD  175
--	---	--

Back Stop Insert

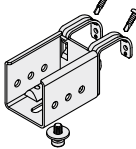
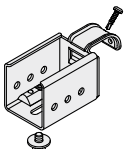
0.0.675.98 ESD  171
--

See Roller Conveyor St D30 on page 108



Inserts

0.0.622.22 ESD  173	0.0.620.26 ESD  173
0.0.620.84 ESD  172	



Roller Conveyor Fastening Brackets U and I

0.0.652.58 ESD  175
0.0.652.64 ESD  175

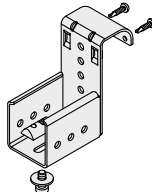
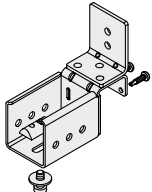
Fastening Ring

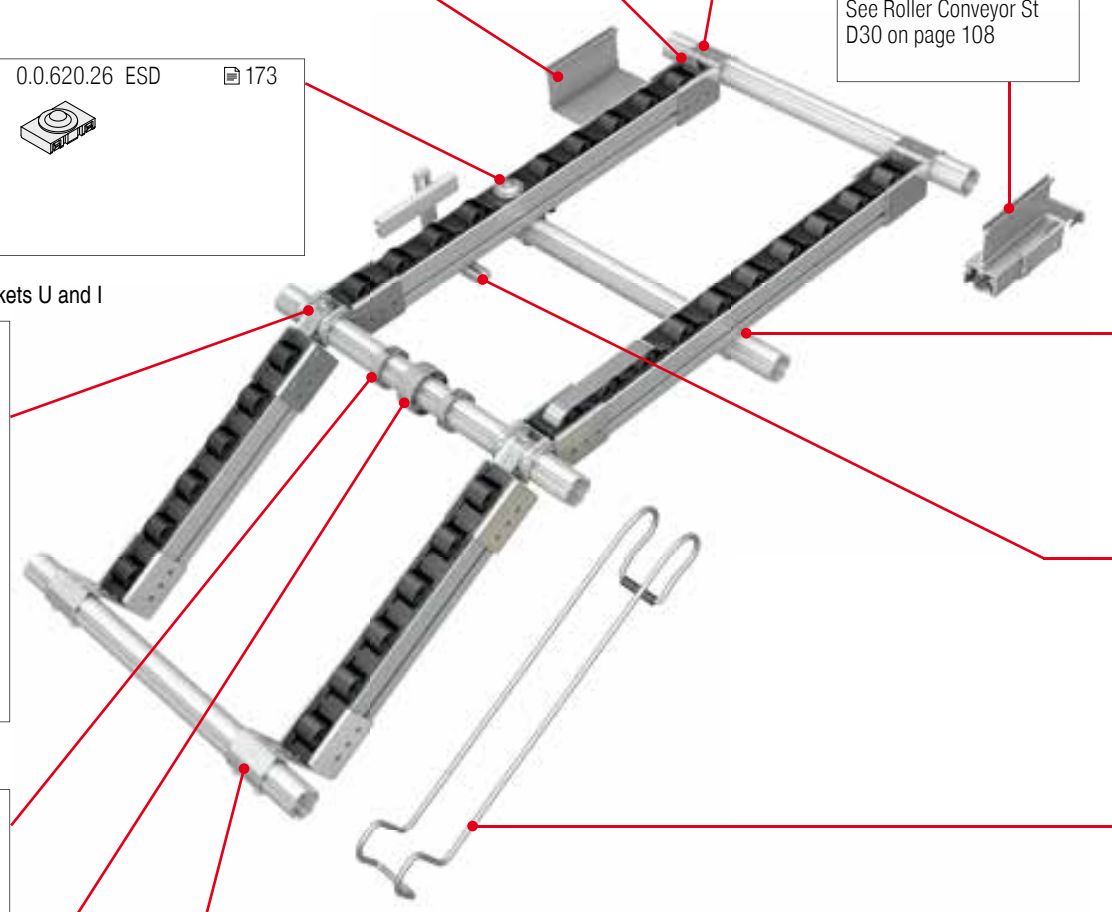
0.0.673.10  186
0.0.674.85 ESD 

Roller D46

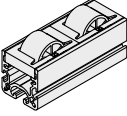

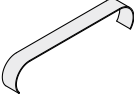
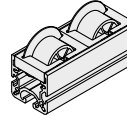

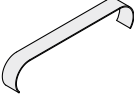
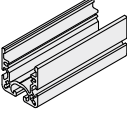
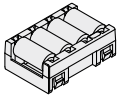
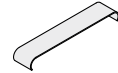
0.0.664.48  186
0.0.674.60 ESD 

Roller Conveyor Fastening Brackets with Stop

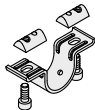

0.0.652.57 ESD  175	0.0.662.31 ESD  175
--	--



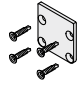
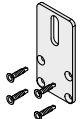
Roller conveyors

Roller conveyors		Inserts		Brakes		
0.0.628.40 0.0.628.42 ESD 	168	0.0.620.16 0.0.622.27 ESD 0.0.627.06 0.0.627.07 0.0.627.08 	black black red yellow green	169	0.0.619.34 ESD 	170
0.0.628.41 0.0.628.43 ESD 	168	0.0.620.06 0.0.622.28 ESD 0.0.627.09 0.0.627.10 0.0.627.11 	black black red yellow green	169	0.0.619.34 ESD 	170
0.0.618.28 ESD 	168	0.0.644.55 0.0.648.98 ESD 	black black	170	0.0.677.70 ESD 	152

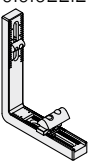

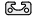
Brackets

0.0.658.25 ESD 	87	0.0.677.93 ESD 	87
---	----	---	----


Caps

0.0.622.29 	178	0.0.622.30 	178
---	-----	--	-----

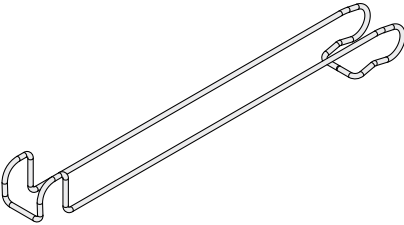
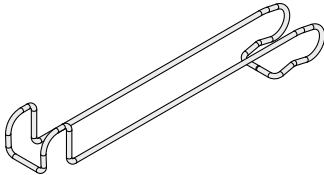
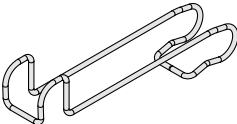
Railing Support and accessories

0.0.622.20 	176	0.0.627.35 	176
		0.0.448.03 ESD 	

Castor Rail Slide Strip

0.0.620.00 ESD 	172
---	-----

Slide Link

0.0.658.75 ESD 	182	0.0.658.76 ESD 	182	0.0.658.77 ESD 	182
---	-----	---	-----	--	-----

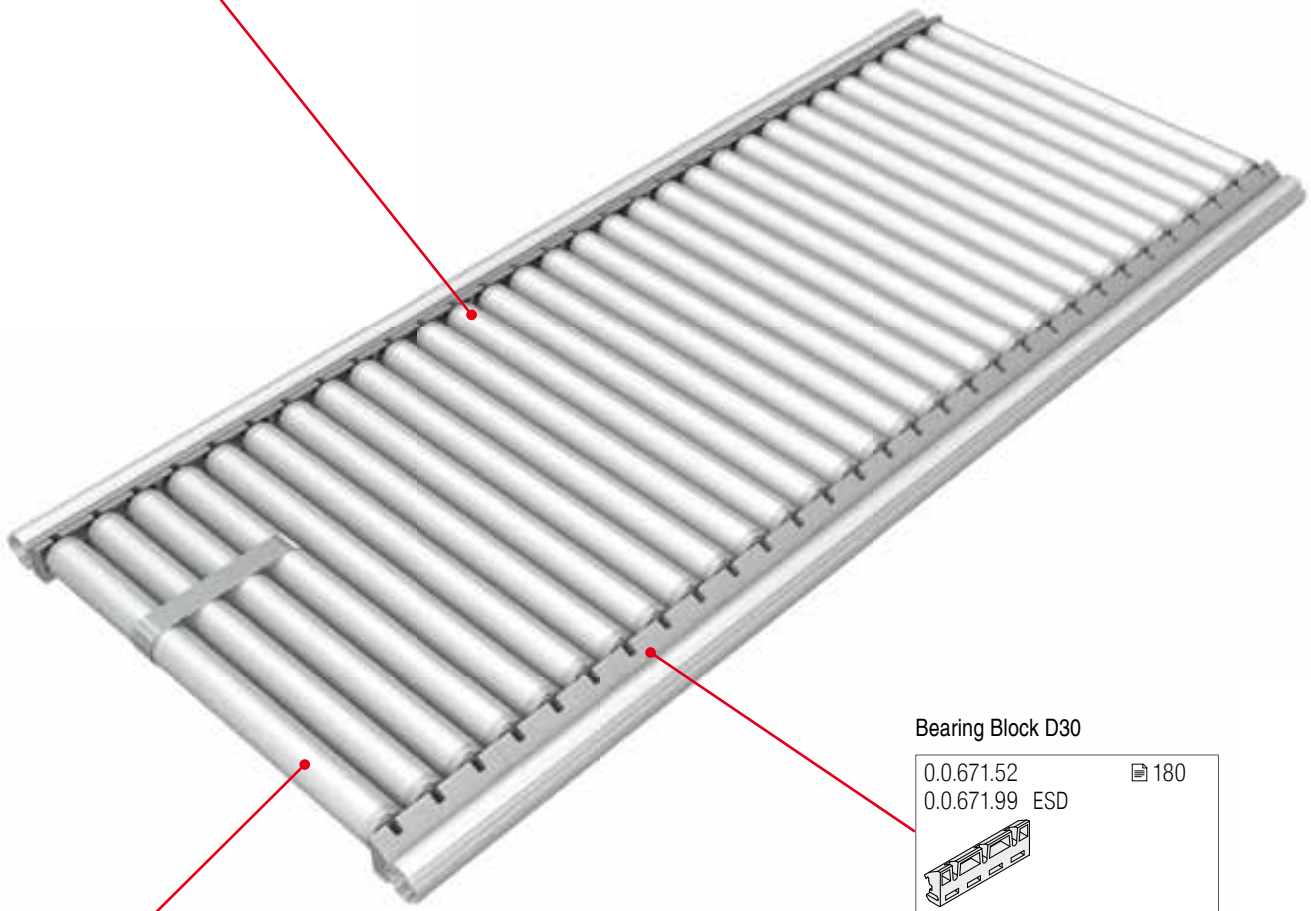
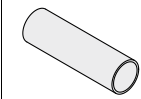
Conveyor Rollers TR30

Tube D30x1.8 KU

Conveyor Roller TR30, Bearing Flange D26.4/D5

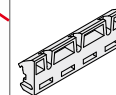
0.0.675.01 piece 181

0.0.674.94 180



Bearing Block D30

0.0.671.52 180
0.0.671.99 ESD

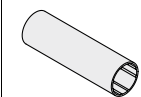


Tube D30

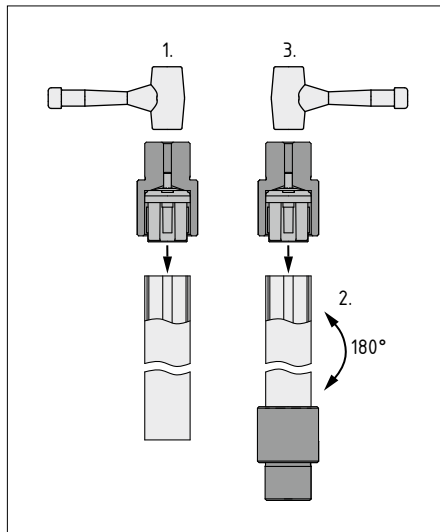
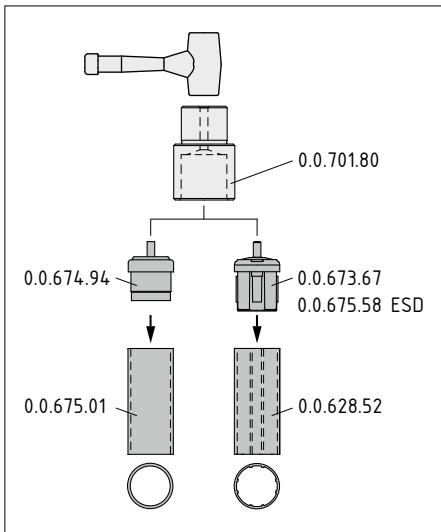
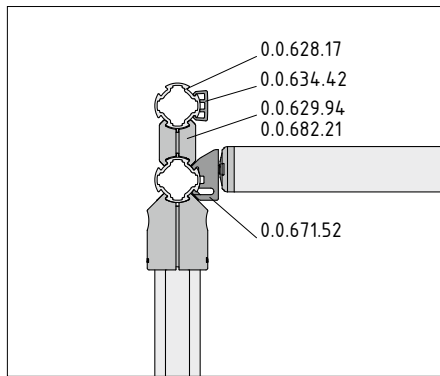
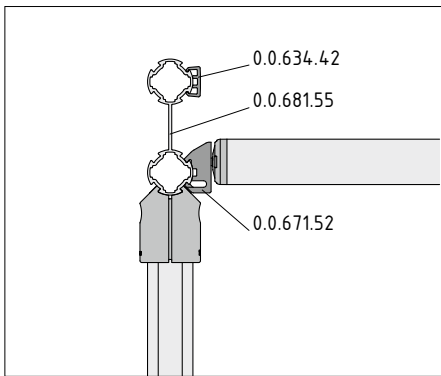
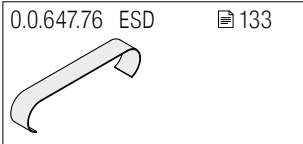
Conveyor Roller TR30, Bearing Flange D27/D5

0.0.628.52 ESD piece 181


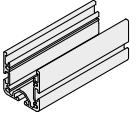







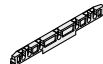

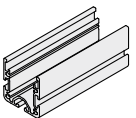







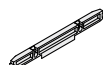

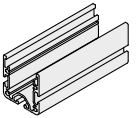







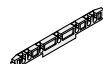

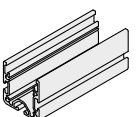





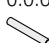

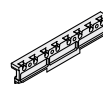
0.0.673.67 180
0.0.675.58 ESD


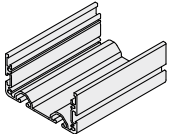

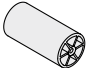

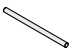

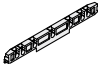

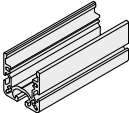





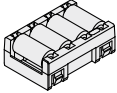



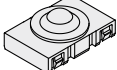






Brakes



Individual parts for Roller Conveyors 6 and 8

Castor Rails	Roller element inserts/roller elements	Axles	Roller Tracks
Roller Conveyor 6 40x40 E D30			
0.0.651.29 ESD cut-off  160 0.0.650.47 ESD piece 	0.0.620.36 grey  162 0.0.620.41 ESD black 0.0.620.42 red 0.0.620.44 yellow 0.0.620.46 green  0.0.700.18 ESD  166 	0.0.619.13 ESD  163 	0.0.649.60 grey  165 0.0.662.24 ESD black 
Roller Conveyor 6 40x40 E D30 with Flanged Wheel			
0.0.651.29 ESD cut-off  160 0.0.650.47 ESD piece 	0.0.620.37 grey  162 0.0.620.51 ESD black 0.0.620.52 red 0.0.620.54 yellow 0.0.620.56 green  0.0.700.18 ESD  166 	0.0.619.13 ESD  163 	0.0.650.48 grey  165 0.0.662.25 ESD black 
Roller Conveyor 6 40x40 E D30/2			
0.0.651.29 ESD cut-off  160 0.0.650.47 ESD piece 	0.0.656.78 grey  162 0.0.656.85 ESD black  0.0.700.18 ESD  166 	0.0.619.13 ESD  163 	0.0.649.60 grey  165 0.0.662.24 ESD black 
Roller Conveyor 6 40x40 E D30 D11			
0.0.651.29 ESD cut-off  160 0.0.650.47 ESD piece 	0.0.664.56 grey  162 0.0.648.97 ESD black  0.0.700.18 ESD  166 	0.0.619.13 ESD  163 	0.0.656.87 grey  165 0.0.662.48 ESD black 

Castor Rails	Roller element inserts/roller elements	Axles	Roller Tracks	
Roller Conveyor 6 80x40 E D30				
0.0.662.36 ESD cut-off  160 0.0.662.16 ESD piece 	0.0.662.97 grey  162 0.0.664.42 ESD black 	0.0.662.37 ESD  163 	0.0.649.60 grey  165 0.0.662.24 ESD black 	
Roller Conveyor 8 D30				
0.0.626.91 ESD cut-off  168 0.0.618.28 ESD piece 	0.0.620.16 black  169 0.0.622.27 ESD black 0.0.627.06 red 0.0.627.07 yellow 0.0.627.08 green  0.0.620.06 black  169 0.0.622.28 ESD black 0.0.627.09 red 0.0.627.10 yellow 0.0.627.11 green  0.0.644.55 black  170 0.0.648.98 ESD black  0.0.622.22 ESD  173  0.0.620.26 ESD  173  0.0.700.18 ESD  166  0.0.620.84 ESD  172 			



Roller Conveyors St D30

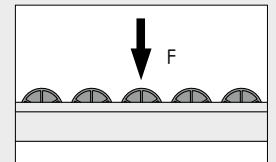
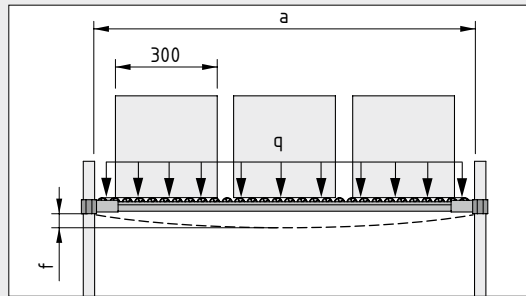
- The stable basic roller conveyor
- Support profile made of sheet steel
- Wide selection of durable roller elements



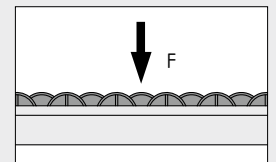
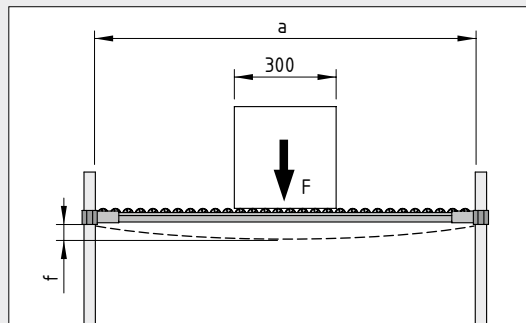
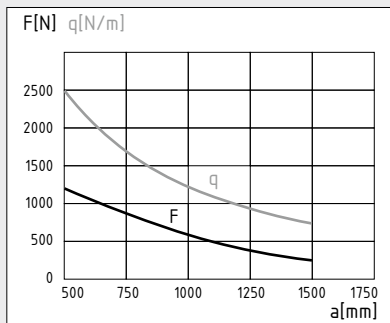
Cut to size, slot into place, tighten and you're good to go! Thanks to its robust design, item Roller Conveyor St D30 forms the basis of many applications. It is supplied ready for installation. The roller conveyor profile made from sheet steel can also be cut to size with ease. A large selection of fastening brackets paves the way for conveyor lines in a whole host of installation scenarios and at any angle you can think of.

Roller Conveyor St D30 uses smooth-running roller elements on steel axles for a long service life. Depending on how smoothly the line needs to run, users can choose between Roller Conveyor St D30 (with or without flanged wheel) and Roller Conveyor St D30/2 (half the axle spacing).

Things that would scratch or damage standard roller elements can usually be transported directly on Roller Conveyor St D30 with Steel Tyres, without first having to be placed in a container. Thanks to their steel covering, the roller elements in this conveyor are resistant to metallic and sharp-edged components.



Permissible force on a single roller element of Roller Conveyor St D30: $F < 100 \text{ N}$

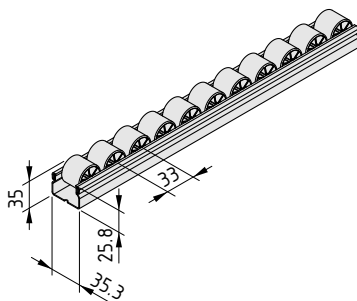


Permissible force on a single roller element of Roller Conveyor St D30/2: $F < 50 \text{ N}$



Tip: Depending on the type and shape of goods being conveyed, weight can be unevenly distributed over the roller elements during transport. Please factor in this higher point loading when making your selection.

The relevant statutory regulations, such as DGUV standards in Germany, must be adhered to when building racks. Please note that the load-carrying capacity of item roller conveyors can exceed the capacity of other components. The maximum deflection (f) item recommends for two parallel roller conveyors is: $f < 1/100 a$



Roller Conveyor St D30

St, bright zinc-plated
 Castors, PP, grey
 Axles, St, bright zinc-plated
 $m = 844.0 \text{ g/m}$

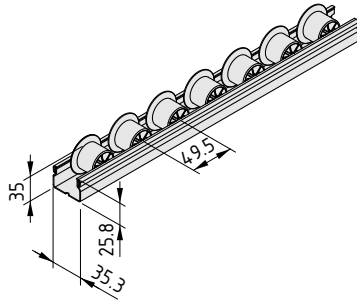
grey similar to RAL 7042, 1 pce., length 4500 mm	0.0.633.91
grey similar to RAL 7042, cut-off max. 4500 mm	0.0.637.53
grey similar to RAL 7042, 1 pce., length 3000 mm	0.0.648.42

Roller Conveyor St D30 ESD



St, bright zinc-plated
 Castors, PP, black (ESD)
 Axles, St, bright zinc-plated
 m = 873.0 g/m

black similar to RAL 9005, 1 pce., length 4500 mm	0.0.637.55
black similar to RAL 9005, cut-off max. 4500 mm	0.0.637.57
black similar to RAL 9005, 1 pce., length 3000 mm	0.0.648.43



Roller Conveyor St D30 with Flanged Wheel

St, bright zinc-plated
 Castors, PP, grey
 Axles, St, bright zinc-plated
 m = 756.0 g/m

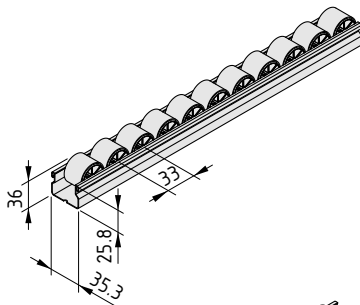
grey similar to RAL 7042, 1 pce., length 4500 mm	0.0.633.92
grey similar to RAL 7042, cut-off max. 4500 mm	0.0.637.54
grey similar to RAL 7042, 1 pce., length 3000 mm	0.0.648.44

Roller Conveyor St D30 ESD with Flanged Wheel



St, bright zinc-plated
 Castors, PP, black (ESD)
 Axles, St, bright zinc-plated
 m = 790.0 g/m

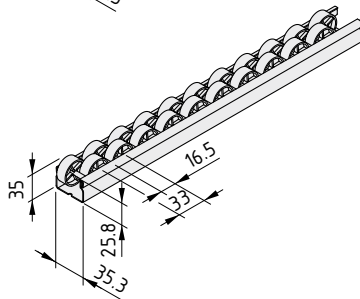
black similar to RAL 9005, 1 pce., length 4500 mm	0.0.637.56
black similar to RAL 9005, cut-off max. 4500 mm	0.0.637.58
black similar to RAL 9005, 1 pce., length 3000 mm	0.0.648.45



Roller Conveyor St D30 with Steel Tyres

St, bright zinc-plated
 Castors, PP, grey and St, stainless
 Axles, St, bright zinc-plated
 m = 1.30 kg/m

1 pce., length 4000 mm	0.0.650.74
cut-off max. 4000 mm	0.0.650.81



Roller Conveyor St D30/2

St, bright zinc-plated
 Castors, PP, grey
 Axles, St, bright zinc-plated
 m = 900.0 g/m

grey similar to RAL 7042, 1 pce., length 4500 mm	0.0.648.91
grey similar to RAL 7042, cut-off max. 4500 mm	0.0.648.92
grey similar to RAL 7042, 1 pce., length 3000 mm	0.0.648.77

Roller Conveyor St D30/2 ESD



St, bright zinc-plated
 Castors, PP, black (ESD)
 Axles, St, bright zinc-plated
 m = 950.0 g/m

black similar to RAL 9005, 1 pce., length 4500 mm	0.0.648.94
black similar to RAL 9005, cut-off max. 4500 mm	0.0.648.95
black similar to RAL 9005, 1 pce., length 3000 mm	0.0.649.54



Roller Conveyor St Fastening Brackets D30

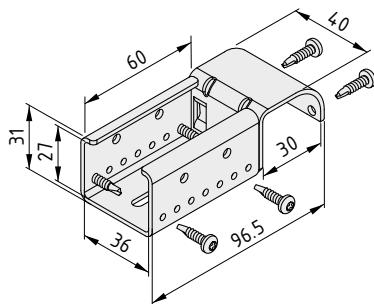
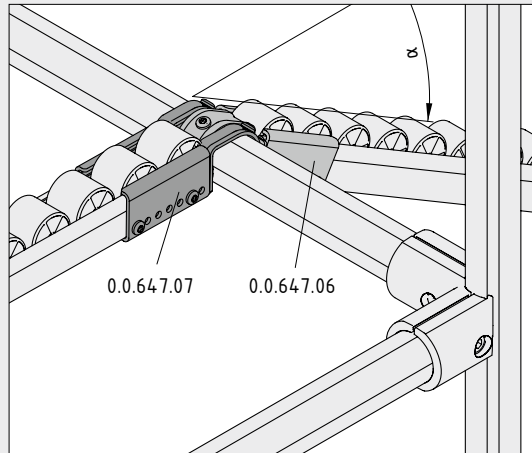
- Fast and simple fixing
- Can be fitted at any angle
- Secure transition at gradient changes



A firm hold made easy: A Roller Conveyor St Fastening Bracket D30 is slotted onto each end of a Roller Conveyor St D30. This enables you to suspend the roller conveyor at the angle of your choice between two (Profile) Tubes D30. The enclosed self-tapping screws create a secure connection between the bracket and roller conveyor.

Roller Conveyor St, Fastening Bracket U D30 and Roller Conveyor St, Fastening Bracket I D30 are installed at the points where two Roller Conveyors St D30 meet. The central hook of Fastening Bracket I D30 reaches between the two hooks of Fastening Bracket U D30. This connection ensures the two roller conveyors can be installed in different gradients.

Roller Conveyor St Fastening Brackets D30 can be secured in place on the (profile) tube using the enclosed screws.



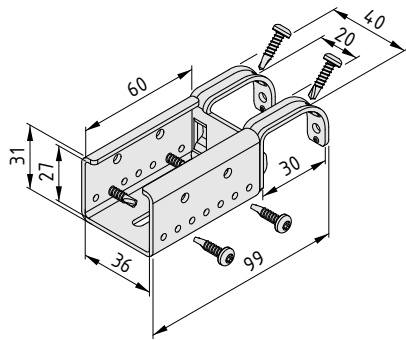
Roller Conveyor St Fastening Bracket D30



Fastening Bracket, St, bright zinc-plated
 6 Button-Head Screws, self-tapping 3.9x16, TX20, St, bright zinc-plated
 m = 161.0 g

1 set

0.0.642.47

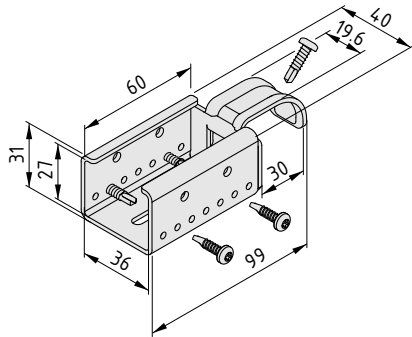


Roller Conveyor St, Fastening Bracket U D30



Fastening Bracket, St, bright zinc-plated
6 Button-Head Screws, self-tapping 3.9x16, TX20, St, bright zinc-plated
m = 150.0 g

1 set 0.0.647.07



Roller Conveyor St, Fastening Bracket I D30



Fastening Bracket, St, bright zinc-plated
5 Button-Head Screws, self-tapping 3.9x16, TX20, St, bright zinc-plated
m = 145.0 g

1 set 0.0.647.06

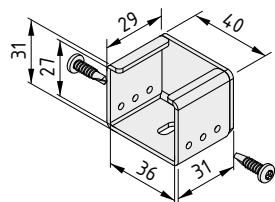


Roller Conveyor St, End Cap

- Safe covering for cut edges
- Simply slides on



Safety first! The sharp edges on the exposed ends of a Roller Conveyor St D30 don't need to be machined to prevent cuts and other damage and injuries. Simply slot on the robust End Cap and secure it in place with the enclosed self-tapping screws - that's all it takes to create permanent edge protection for the roller conveyor.



Roller Conveyor St, End Cap



End Cap, St, bright zinc-plated
2 Button-Head Screws, self-tapping 3.9x16, TX20, St, bright zinc-plated
m = 65.0 g

1 set 0.0.647.08



Roller Conveyor St Fastening Brackets D30 with Stop

- Can be fitted at any angle
- For inclined roller conveyors
- Limit stop for Roller Conveyor St



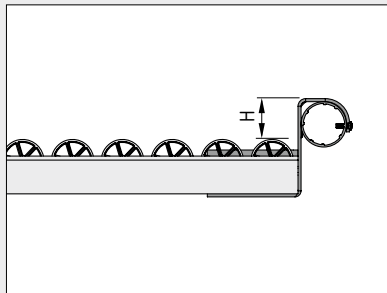
A fastening bracket and stop in one that is easy to fit to the Roller Conveyor St D30 and Tube D30. Roller Conveyor St Fastening Brackets D30 with Stop H43 or H27 bring goods and workpiece carriers to a halt at the end of the conveyor line. If required, the Roller Conveyor Fastening Bracket can also be screwed into place.



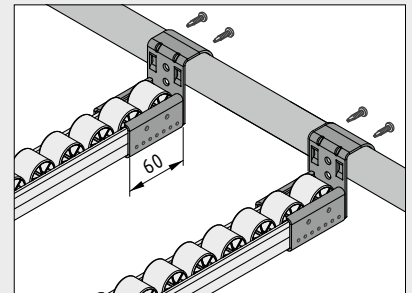
Roller Conveyor St, Fastening Bracket D30 with Forward Stop H43 holds boxes in place closer to the removal point than Roller Conveyor St Fastening Bracket D30 with Stop H43 (0.0.652.46). This helps reduce reaching distances and boosts ergonomics.



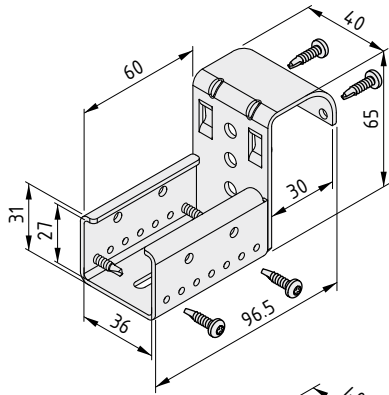
As Roller Conveyor St Stop H43 is not mounted to a cross-member, users can build roller conveyors that project outside a frame and thus reduce reaching distances. Light transport boxes are brought safely to a halt. The stop must be screwed to the Roller Conveyor St D30.



Roller Conveyor St, Fastening Brackets D30 with Stop are available with stops of different heights - $H = 27 \text{ mm}$ or 43 mm .



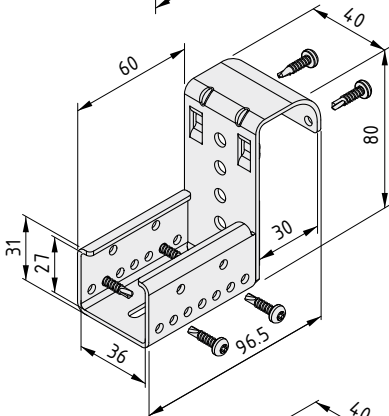
Roller Conveyor St Fastening Bracket D30 can be fixed in place in a matter of seconds with the self-tapping Button-Head Screw - simply use a cordless driver to drive the screw into the (Profile) Tube D30.


Roller Conveyor St, Fastening Bracket D30 with Stop H27


Fastening Bracket, St, bright zinc-plated
6 Button-Head Screws, self-tapping 3.9x16, TX20, St, bright zinc-plated
m = 171.0 g

1 set

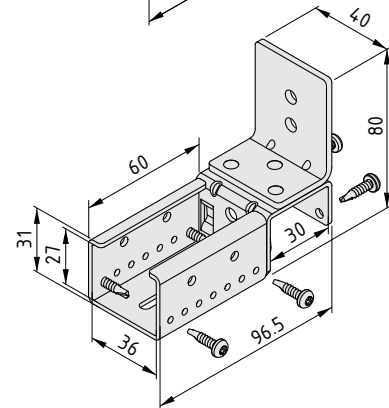
0.0.642.46


Roller Conveyor St, Fastening Bracket D30 with Stop H43


Fastening Bracket, St, bright zinc-plated
6 Button-Head Screws, self-tapping 3.9x16, TX20, St, bright zinc-plated
m = 173.0 g

1 set

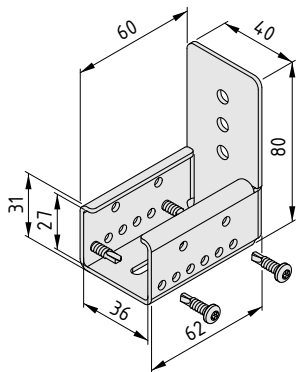
0.0.652.46


Roller Conveyor St, Fastening Bracket D30 with Forward Stop H43


Fastening Bracket, St, bright zinc-plated
6 Button-Head Screws, self-tapping 3.9x16, TX20, St, bright zinc-plated
m = 220.0 g

1 set

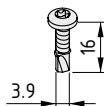
0.0.658.17


Roller Conveyor St Stop H43


Fastening Bracket, St, bright zinc-plated
4 Button-Head Screws, self-tapping 3.9x16, TX20, St, bright zinc-plated
m = 147.0 g

1 set

0.0.658.16


Button-Head Screw, self-tapping St 3.9x16, TX20


St, bright zinc-plated
m = 1.4 g

1 pce.

0.0.642.39


Note:

Detailed information on the installation dimensions of the roller conveyors, including Fastening Brackets, can be found in the Technical Data section.



Roller Conveyor St Fastening Bracket 40 Roller Conveyor St Fastening Bracket 40 with Forward Stop H43

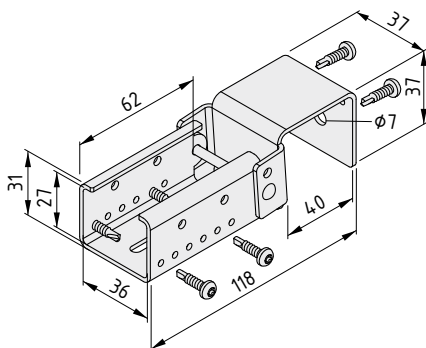
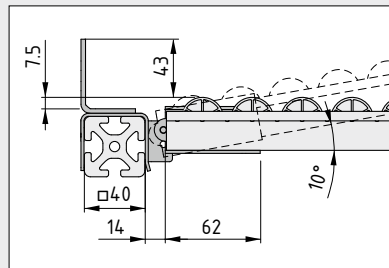
- Secure Roller Conveyors St D30 to Line 8 profiles
- Adjustable angle of inclination
- For support profiles that are 40 mm wide



Roller Conveyor St Fastening Bracket 40 is used to fasten a Roller Conveyor St D30 to Line 8 profiles that are 40 mm wide. The bracket has an articulated connection for the roller conveyor. This means a gradient can also be achieved when working with perfectly level profiles, without having to twist them.

The bracket encompasses the profile from above, can be fastened to an existing Line 8 groove and, when being fitted to light and economy profiles from Line 8, can be additionally secured against slipping by using the enclosed Button-Head Screws.

Roller Conveyor St, Fastening Bracket 40 with Forward Stop H43 provides a secure stop on the removal side. It also features an articulated connection. Regardless of the angle on the connection, the stop is always at a right angle to the support profile.



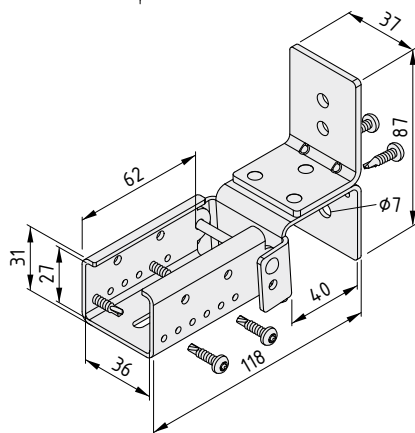
Roller Conveyor St Fastening Bracket 40



Fastening Bracket, St, bright zinc-plated
6 Button-Head Screws, self-tapping 3.9x16, TX20, St, bright zinc-plated
m = 195.0 g

1 set

0.0.687.62



Roller Conveyor St Fastening Bracket 40 with Forward Stop H43



Fastening Bracket, St, bright zinc-plated
6 Button-Head Screws, self-tapping 3.9x16, TX20, St, bright zinc-plated
m = 265.0 g

1 set

0.0.687.61



Roller Conveyor St Fastening Bracket Adapter Sleeve D30 ESD

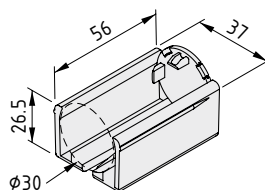
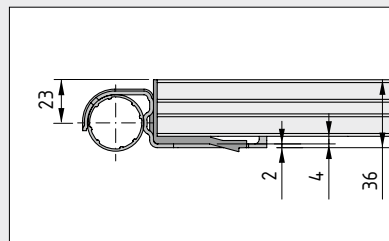
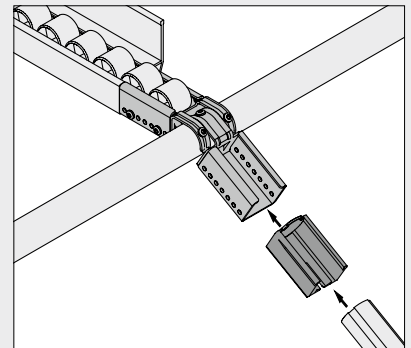
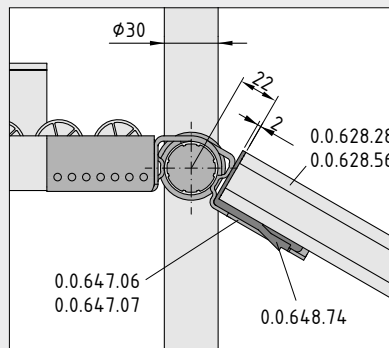
- Fastens (Profile) Tubes D30 in Roller Conveyor St Fastening Brackets D30
- For building slideways and set-down areas with Slide Strips D30



The Adapter Sleeve transforms any Roller Conveyor St Fastening Bracket into a profile fastener. It makes it easy to connect a (Profile) Tube D30 as a strut at the correct angle. This means you can create a sliding surface that seamlessly connects to a roller conveyor, all in next to no time.

Simply push the Adapter Sleeve into the Roller Conveyor Fastening Bracket D30 and then insert the (Profile) Tube D30. That's all it takes to fit a strong horizontal or vertical strut that can be repositioned or fixed in place.

Roller Conveyor St Fastening Bracket Adapter Sleeve D30 is ESD-safe, which means sensitive components are also given the best possible protection on slideways.



Roller Conveyor St Fastening Bracket Adapter Sleeve D30 ESD



Fastening Bracket Adapter Sleeve, PA-ESD

m = 20.0 g

black, 1 pce.

0.0.648.74



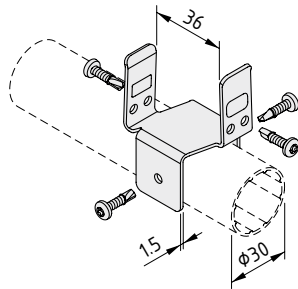
Roller Conveyor St, Supports D30

- Fasten to a stabilising crossmember
- Prevent lateral displacement
- Reduce deflection on Roller Conveyor St D30



Sometimes support is essential. When working with heavy loads, it can be useful to fit a stabilising D30 crossmember to prevent excessive profile deflection on the Roller Conveyor St D30. Roller Conveyor St, Supports D30 connect the roller conveyor and crossmember and prevent sideways displacement.

Narrow Roller Conveyor St, Support D30 features retaining plates that clip into place and project beyond the edge of the roller conveyor rail. The retaining plates on Roller Conveyor St, Support D30 H22 are flatter and wider and terminate below the edge of the rail.



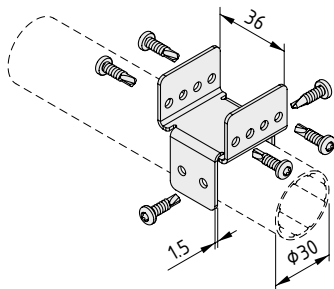
Roller Conveyor St, Support D30



Support, St, bright zinc-plated
4 Button-Head Screws, self-tapping 3.9x16, TX20, St, bright zinc-plated
m = 46.0 g

1 set

0.0.647.10



Roller Conveyor St, Support D30 H22



Support, St, bright zinc-plated
6 Button-Head Screws, self-tapping 3.9x16, TX20, St, bright zinc-plated
m = 54.0 g

1 set

0.0.658.18



Roller Conveyor Support 30-50

- For Roller Conveyor St with Guide Rails
- Prevents sideways displacement
- No break in the Guide Rails

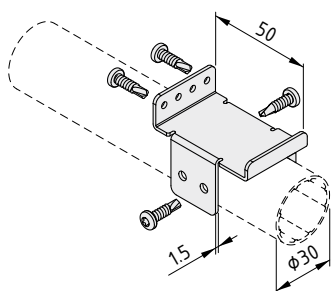
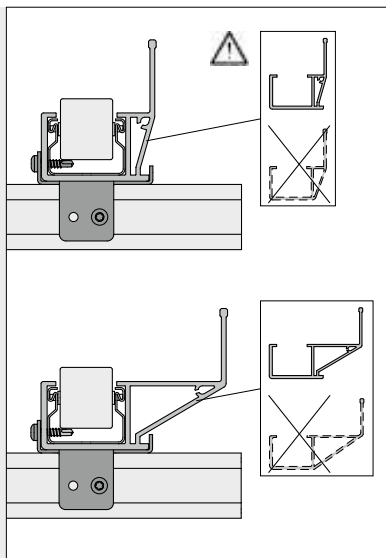


Keeping things on the straight and narrow! Roller Conveyor Support 30-50 fastens a Roller Conveyor St and Guide Rail to an additional cross profile. The Support stops a long conveyor line from being pushed to the side and reduces excessive profile deflection. The end result is that heavy containers can be guided safely and securely over long distances.

Roller Conveyor Support 30-50 is screwed to the Roller Conveyor St and Guide Rail using the enclosed self-tapping screws. The Guide Rails are supported continuously and do not need to be cut away. The geometry is compatible with both Roller Conveyor St Guide Rail e 32 and the wider Roller Conveyor St Guide Rail e 65.

Roller conveyors that are not fitted with Guide Rails can be supported using Roller Conveyor St, Support D30 (0.0.647.10) and Roller Conveyor St, Support D30 H22 (0.0.658.18).

NB: When positioning the Support, ensure the screws are located between the roller elements and are not touching them. Roller Conveyor St Guide Rails e 32 and e 65 must have the new base geometry (deliveries from May 2020).



Roller Conveyor Support 30-50



Support, St, bright zinc-plated
4 Button-Head Screws, self-tapping 3.9x16, TX20, St, bright zinc-plated
m = 46.3 g

1 set

0.0.690.95



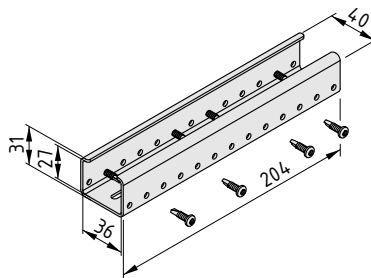
Roller Conveyor St, Butt Fastener

- Connect roller conveyors St D30
- Extend lines
- Connect different roller conveyors



No end in sight! The Butt Fastener combines separate Roller Conveyors St D30 into a single continuous line. It also enables users to combine different variants in a single roller conveyor line.

Simply insert the ends of the conveyors into either end of the Butt Fastener. Use self-tapping screws to fasten the roller conveyors in place. The result is a strong, space-saving extension for a Roller Conveyor St D30. You decide where the conveyor line stops.



Roller Conveyor St, Butt Fastener



Butt Fastener, St, bright zinc-plated
8 Button-Head Screws, self-tapping 3.9x16, TX20, St, bright zinc-plated
m = 329.0 g

1 set

0.0.654.75



Roller Conveyor St D30 Brakes

- Slow down and stop transported goods
- For castors with and without flanged wheels

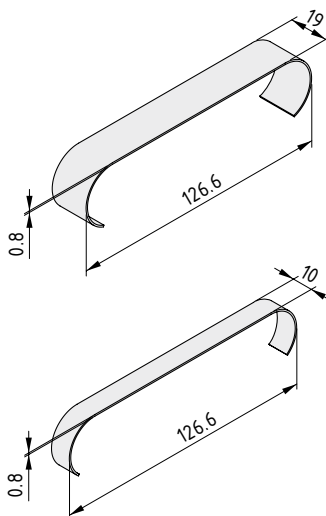
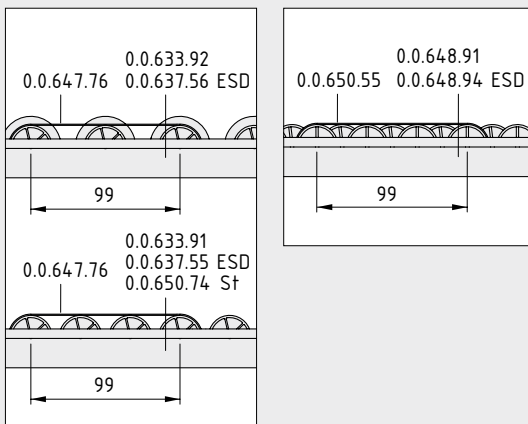


Slowing things down: Roller Conveyor St D30 Brakes slow down crates and transported goods on Roller Conveyor St D30 or bring them to a complete stop.

The brakes are simply clipped over the roller elements at the desired point.



Roller Conveyor St D30 Brake (0.0.647.76) is used on Roller Conveyors St D30 with and without flanged wheels. Roller Conveyor St D30/2 Brake (0.0.650.55) must be used when working with Roller Conveyor St D30/2.



Roller Conveyor St D30 Brake



St, stainless
m = 20.0 g

1 pce.

0.0.647.76

Roller Conveyor St D30/2 Brake



St, stainless
m = 10.0 g

1 pce.

0.0.650.55



Back Stop D2.8-25

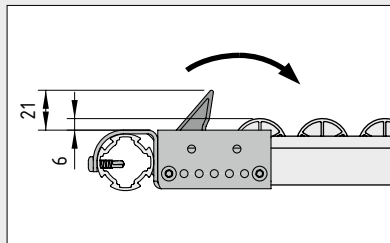
- Stops loads falling out
- Stops transported goods rolling back
- Makes loading the roller conveyor easy

More safety when moving goods and materials! Back Stop D2.8-25 will only allow crates and goods to move along Roller Conveyor St D30 in one direction. It also ensures that inertial forces don't cause loads to slip off trolleys when they are being moved.

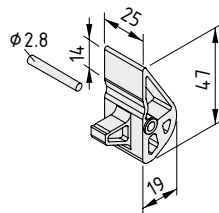
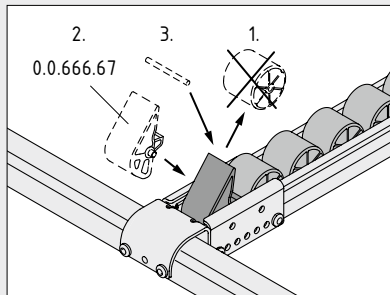
What's more, it stops users accidentally pushing goods out the back of a rack while handling crates at the front. Back Stops are a recommended addition for any roller conveyor used in picking operations and for transport frames.



Roller Conveyor St, Assembly Pliers  137



First, remove one roller element from the relevant position (1.). Next, install the Back Stop for Roller Conveyor St D30 and its axle in that position (2.). Now position the axle of the roller element you removed earlier between the Back Stop and the nearest roller element (3.).



Back Stop D2.8-25

Back Stop, PA, grey
Axle, St, bright zinc-plated
m = 14.0 g

1 set

0.0.666.67



Roller Conveyor St Guide Rails

- Side guidance for containers
- Two variants for different application scenarios
- Additional reinforcement possible with Retaining Plates

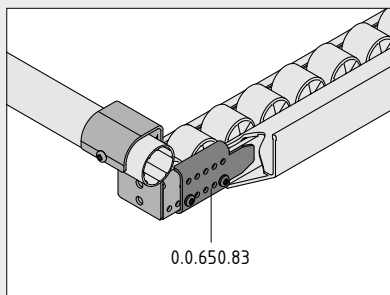
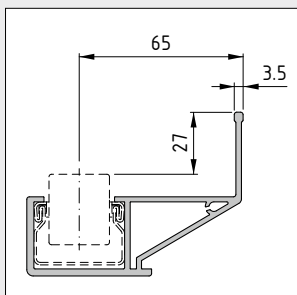
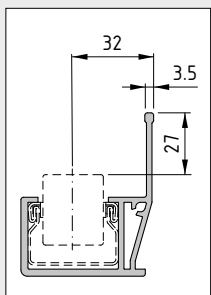
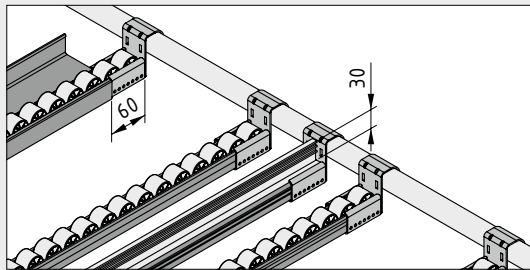


They know where everything is going: The Guide Rails for Roller Conveyor St D30 keep crates and workpieces firmly on track.

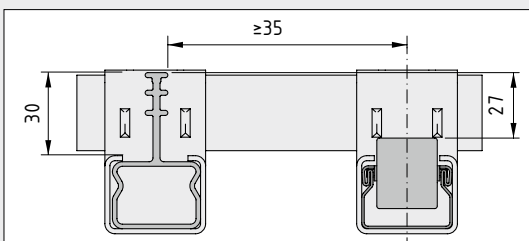
There are two options: Guide Rail e is pushed onto Roller Conveyor St and comes in two fixed spacings (32 and 65 mm). By contrast, Guide Rail z can be freely positioned and comes in aluminium and plastic versions. Guide Rail z Al has a flank geometry on the underside so it can connect to Fasteners D30.

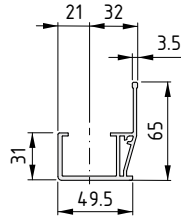
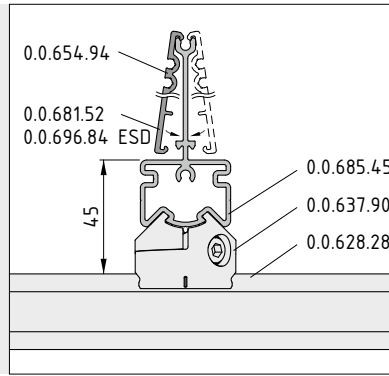
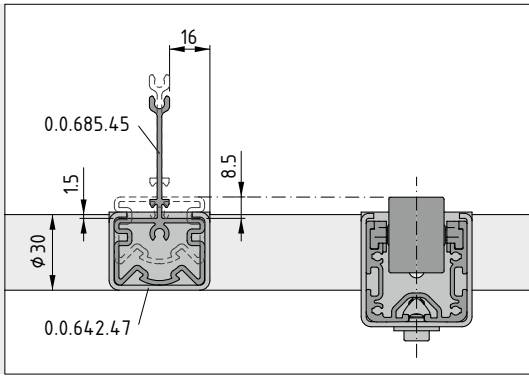
The ESD-safe (black) versions of the Guide Rails protect products that are sensitive to electrostatic charging.

Setting down heavy transport goods carelessly on a conveyor line places a great deal of stress on Guide Rails e. By using robust Retaining Plate, Guide Rail e, you can provide additional stability. It is screwed to the roller conveyor and the Roller Conveyor Fastening Bracket and absorbs impacts. Retaining Plate, Guide Rail e can also be retrofitted to structures to provide extra support for Guide Rails e.



A Retaining Plate, Guide Rail e (0.0.650.83) can also be fitted to the side of Guide Rails e to provide additional support. They are screwed into place using self-tapping screws driven through the lower holes in the Retaining Plate.



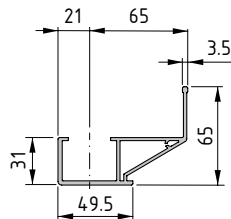


Roller Conveyor St Guide Rail e 32

PVC
 m = 646.0 g/m
 grey similar to RAL 7042, 1 pce., length 4500 mm 0.0.648.70

Roller Conveyor St Guide Rail e 32 ESD

ABS-ESD
 m = 468.0 g/m
 black similar to RAL 9005, 1 pce., length 4500 mm 0.0.648.72

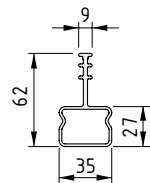


Roller Conveyor St Guide Rail e 65

PVC
 m = 796.0 g/m
 grey similar to RAL 7042, 1 pce., length 4500 mm 0.0.639.01

Roller Conveyor St Guide Rail e 65 ESD

ABS-ESD
 m = 625.0 g/m
 black similar to RAL 9005, 1 pce., length 4500 mm 0.0.641.77

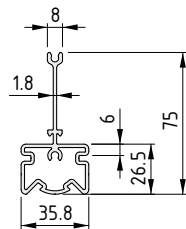


Roller Conveyor St Guide Rail z

PVC
 m = 578.0 g/m
 grey similar to RAL 7042, 1 pce., length 4500 mm 0.0.639.05

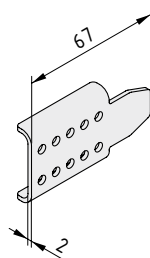
Roller Conveyor St Guide Rail z ESD

ABS-ESD
 m = 423.0 g/m
 black similar to RAL 9005, 1 pce., length 4500 mm 0.0.641.78



Guide Rail z Al

Al, untreated
 m = 1.10 kg/m
 natural, cut-off max. 6000 mm 0.0.685.45
 natural, 1 pce., length 6000 mm 0.0.685.44



Retaining Plate, Guide Rail e

St, bright zinc-plated
 m = 36.0 g
 1 pce. 0.0.650.83



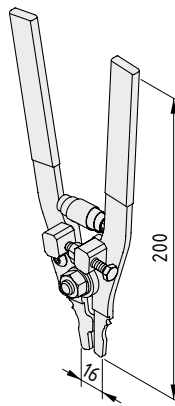


Roller Conveyor St, Assembly Pliers

- Change castors the easy way
- Forces the flanks of the roller conveyor apart

The Assembly Pliers give you more room to manoeuvre by forcing the flanks of Roller Conveyor St apart slightly, making it easier to remove and replace castors.

They ensure castors can be changed quickly and effortlessly.



Roller Conveyor St, Assembly Pliers

St, stainless
m = 275.0 g

1 pce.

0.0.654.73



Roller Conveyor St 60x24 D15

- Wide, smooth-running roller elements
- Low construction height and high bending strength
- Can be fastened at any angle

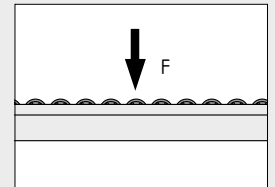
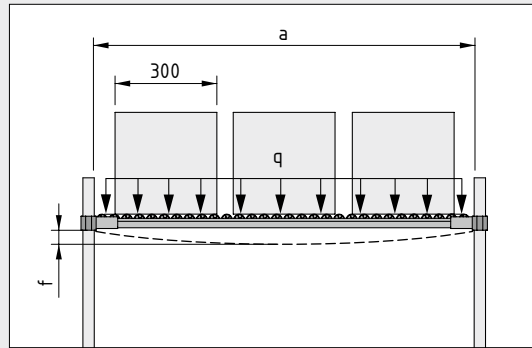


The robust roller conveyor for all scenarios: Thanks to its wide roller elements and low roller element diameter, Roller Conveyor St 60x24 D15 is suitable for most installation scenarios. Both sensitive transported goods and goods with awkward bases can be safely moved from A to B. Due to its very low installation height, this roller conveyor can also be used for side guidance. An ESD-safe version is available.

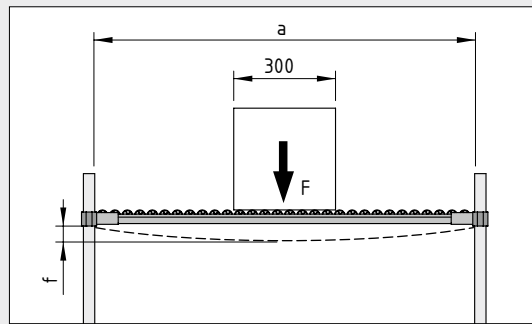
Fixing it to a frame couldn't be easier: Roller Conveyor 60 Fastening Bracket D30 is fitted to the start and end of a roller conveyor and used to mount the conveyor on a frame. Roller Conveyor 60 Fastening Bracket D30 with Stop H43 is used as a stop at the end of a Roller Conveyor St 60.

Fastening Profile D30-60 (0.0.673.85) extends the capabilities of Roller Conveyor St 60. It enables the connection of a side guide, makes the roller conveyor more rigid and adds the contour of a Profile D30 on the underside for additional connection options.

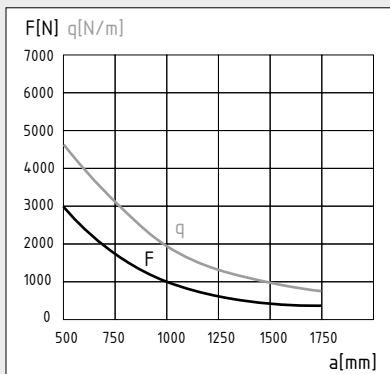
Roller Conveyor St 60 is supplied preassembled and in the desired length.



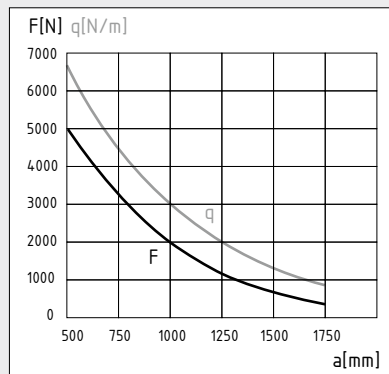
Permissible force on a single roller of Roller Conveyor St 60x24 D15: $F < 100\text{ N}$



Fastening Profile D30-60 143



Roller Conveyor St 60x24 D15

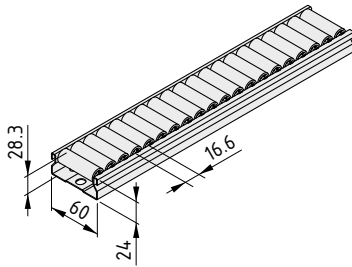


Roller Conveyor St 60x24 D15 with Fastening Profile D30-60 and Guide Rail e 4

The relevant statutory regulations, such as DGUV standards in Germany, must be adhered to when building racks. Please note that the load-carrying capacity of item Roller Conveyors can exceed the capacity of other components. The maximum deflection (f) item recommends for two parallel Roller Conveyors is: $f < 1/100 a$



Tip:
Depending on the type and shape of goods being conveyed, weight can be unevenly distributed over the roller elements during transport. Please factor in this higher point loading when making your selection.



Roller Conveyor St 60x24 D15

St, bright zinc-plated
Rollers PP, grey
Axles St, bright zinc-plated
m = 1.53 kg/m

cut-off max. 4500 mm	0.0.673.74
1 pce., length 4500 mm	0.0.670.87

Roller Conveyor St 60x24 D15 ESD



St, bright zinc-plated
Rollers PP, black
Axles St, bright zinc-plated
m = 1.53 kg/m

cut-off max. 4500 mm	0.0.673.75
1 pce., length 4500 mm	0.0.673.73



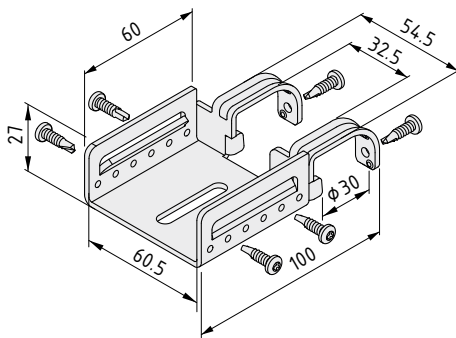
Roller Conveyor 60 Fastening Brackets D30

- Strong and secure
- Simple transitions
- Secure limit stop



Secure hold and optimum extendibility in one! Roller Conveyor 60 Fastening Brackets D30 create a connection with the frame at both ends of a Roller Conveyor St 60x24 D15. Thanks to the asymmetrical arrangement of the hooks, two Fastening Brackets can be fixed to the same tube to extend conveyor sections in a level line or with stepped gradients. This reduces the number of different parts needed.

Two different fastening brackets are available to create the end stop for Roller Conveyor St 60x24 D15. The stop plate of Roller Conveyor 60 Fastening Bracket D30 with Forward Stop H43 (0.0.681.84) is located over the crossmember. As a result, it brings containers to a stop as close as possible to workers. On Roller Conveyor 60 Fastening Bracket D30 with Stop H43 (0.0.674.03), the top edge of the stop terminates at the cross-member. It can be used to provide support for removal.

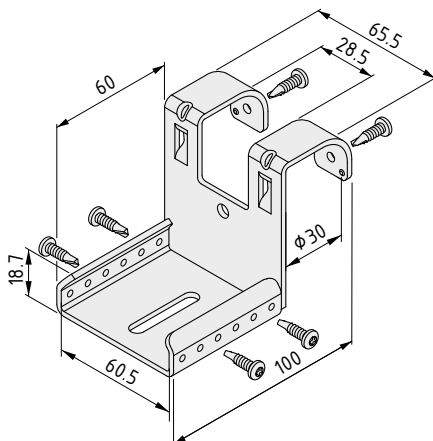


Roller Conveyor 60 Fastening Bracket D30



Fastening Bracket, St, bright zinc-plated
6 Button-Head Screws, self-tapping 3.9x16, TX20, St, bright zinc-plated
m = 174.0 g

1 set 0.0.674.02

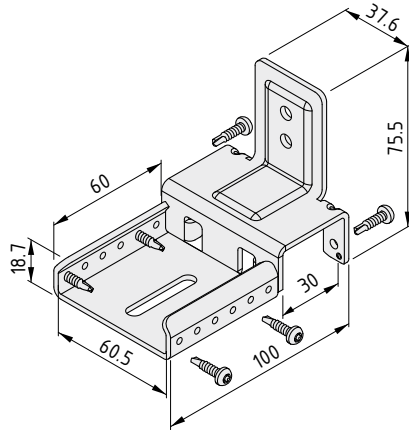


Roller Conveyor 60 Fastening Bracket D30 with Stop H43



Fastening Bracket, St, bright zinc-plated
6 Button-Head Screws, self-tapping 3.9x16, TX20, St, bright zinc-plated
m = 231.0 g

1 set 0.0.674.03



Roller Conveyor 60 Fastening Bracket D30 with Forward Stop H43



Fastening Bracket, St, bright zinc-plated
 6 Button-Head Screws, self-tapping 3.9x16, TX20, St, bright zinc-plated
 m = 224.0 g

1 set

0.0.681.84



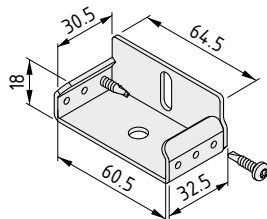
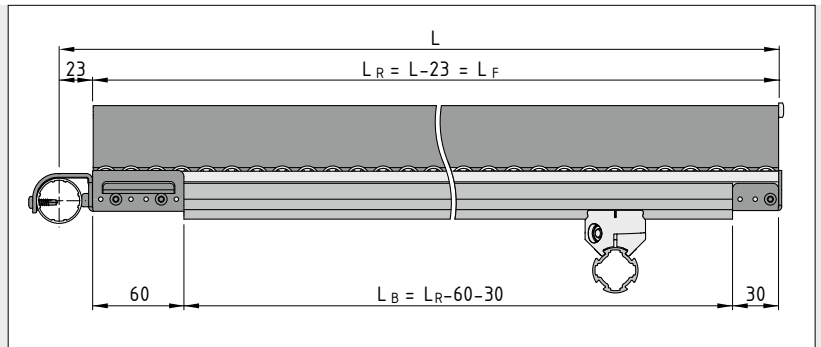
Roller Conveyor St 60, End Cap

- Reliable covering for cut edges
- Leaves plenty of space for the Fastening Profile



Protection from the start: Roller Conveyor St 60, End Cap seals the end face of Roller Conveyor St 60x24 D15 and covers over sharp cut edges. This helps avoid the time-consuming process of deburring cut edges. The slot on the end face can be used to fasten the roller conveyor to a crossmember made from a Line 6 or 8 profile.

The End Cap is simply pushed on and secured at the side with the enclosed self-tapping screws. A Guide Rail can be run right to the end of the roller conveyor, even if Fastening Profile D30-60 needs to be shortened accordingly due to the End Cap.



Roller Conveyor St 60, End Cap



End Cap, St, bright zinc-plated
 2 Button-Head Screws, self-tapping 3.9x16, TX20, St, bright zinc-plated
 m = 71.0 g

1 set

0.0.677.02

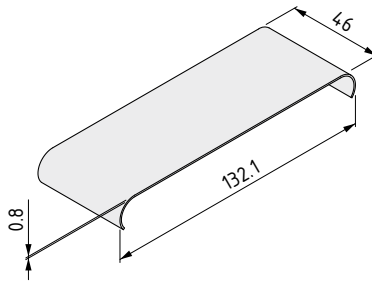


Roller Conveyor St 60x24 D15 Brake

- Robust steel clip
- No screws required



Stop, please! Roller Conveyor St 60x24 D15 Brake is used to slow down crates and transported goods at specific points. The 46 mm-wide steel bracket simply clips over Rollers D15 and Roller Conveyor St 60 and is just as easy to remove.



Roller Conveyor St 60x24 D15 Brake



St, stainless
m = 44.0 g

1 pce.

0.0.677.62



Fastening Profile D30-60

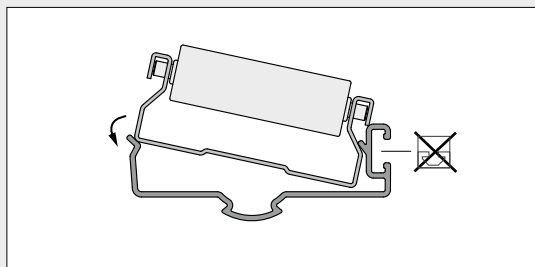
- Fastens Guide Rails e 4 to Roller Conveyor St 60
- Additional frame-fixing option



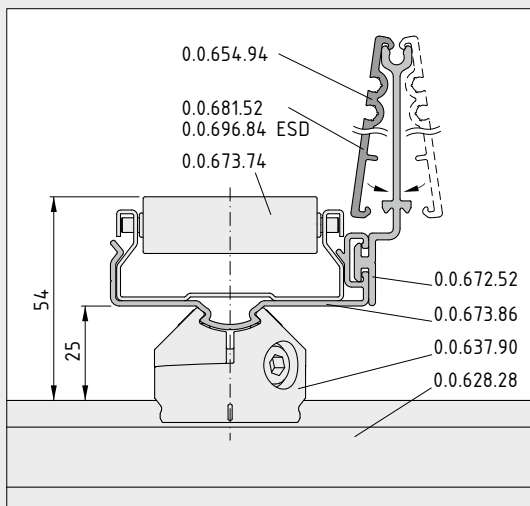
This profile keeps things connected! Fastening Profile D30-60 is used to fit a Guide Rail e 4 to a Roller Conveyor St 60x24 D15. The roller conveyor is simply slotted or clipped in.

A Profile Tube D30 contour runs along the underside of Fastening Profile D30-60 and can be used to connect struts and accessories.

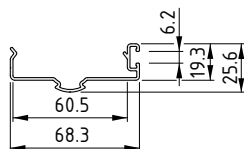
Guide Rail e 4 is slotted into the flat groove that runs along the side of the Fastening Profile and adds extra rigidity to the roller conveyor. The Guide Rail can run right up to the crossmember, thereby minimising the gap between roller conveyors.



Roller Conveyor St 60x24 D15 is pressed into Fastening Profile D30-60 using a little force or can be slotted into place during assembly.



The Fastening Profile reduces deflection.



Fastening Profile D30-60



Al, untreated
m = 0.44 kg/m

natural, cut-off max. 6000 mm	0.0.673.86
natural, 1 pce., length 6000 mm	0.0.673.85



Guide Rail e 4

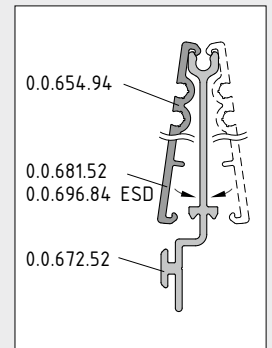
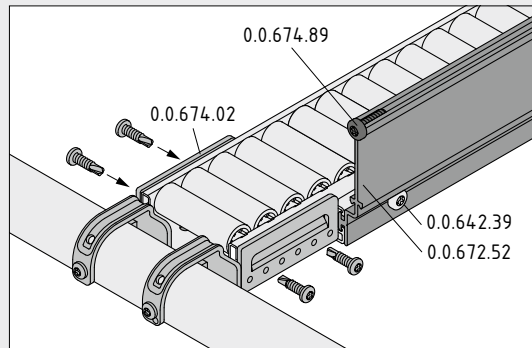
- A reliable railing for Roller Conveyor St 60
- Boosts the rigidity of Roller Conveyor St 60x24



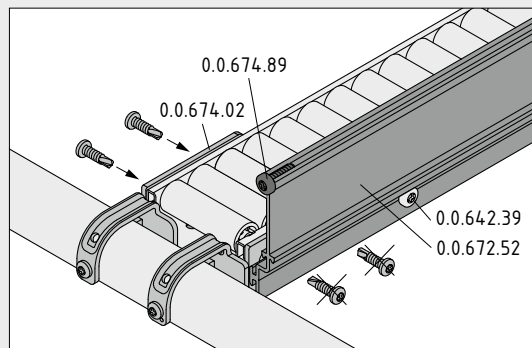
Keeping everything in line! Robust Guide Rail e 4 ensures that crates and goods stay on Roller Conveyor St 60x24 D15. The aluminium side guide can be fitted with slide strips that are especially gentle on transported materials.

Fastening Profile D30-60 is used to install the Guide Rail. Guide Rail e 4 is inserted into the special groove that runs along the side of the Fastening Profile. This combination of Guide Rail and Fastening Profile further boosts the rigidity of Roller Conveyor St 60.

Button-Head Screw Self-Tapping M5x16, TX25 helps avoid injuries during loading and unloading operations. It is driven into the end face of the screw channel on Guide Rail e 4. This eliminates the need for manual deburring, which lowers assembly costs.



Guide Rail e 4 is screwed to Roller Conveyor St 60x24 D15 using Button-Head Screws self-tapping St 3.9x16 (0.0.642.39).



When Guide Rail e 4 reaches up to the supporting crossmember, the Roller Conveyor 60 Fastening Bracket D30 can be screwed into place on just one side.



Roller Conveyors 6 40x40 E D30

- Huge selection of roller elements, including Braking Castors
- High load-carrying capacity thanks to rigid aluminium profile
- Roller elements can be changed without tools



This roller conveyor is full of ingenious details. Thanks to its rigid aluminium profile, Roller Conveyor 6 40x40 E D30 can carry heavy loads – even over long distances. It is supplied preassembled and ready for immediate use.

The underside of the rail of Roller Conveyor 6 40x40 E features a Line 6 profile groove that can be used to secure the conveyor line to the frame. This friction-based connection has a long-lasting hold and contributes to the stability of the frame. Even when the roller conveyor projects beyond the frame, it will not slip. What's more, additional components or panel elements can be fitted to the underside of the roller conveyor to protect other transport lines underneath from falling debris and soiling.

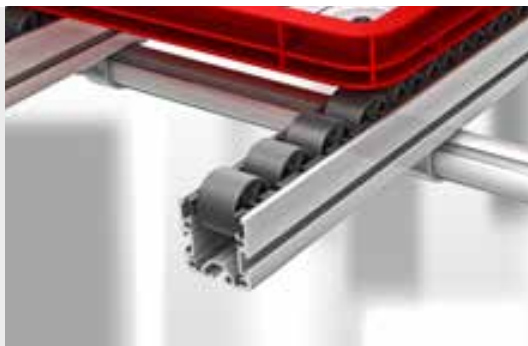
Roller Conveyor 6 40x40 E D30 is available in customised lengths fitted with Castors D30 (with or without flanged wheels) and side-by-side offset Castors D30/2 or Rollers D11. The tight roller element spacing of Rollers D11 provides continuous support for small and sensitive goods along the entire line. This minimises vibration and ensures boxes with soft bases can also be moved from A to B.

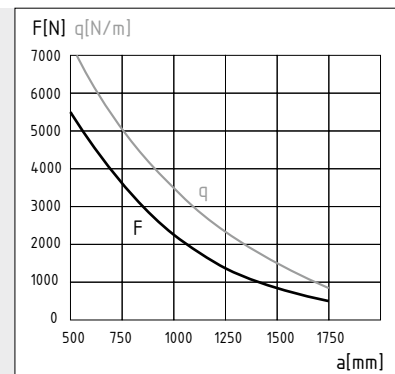
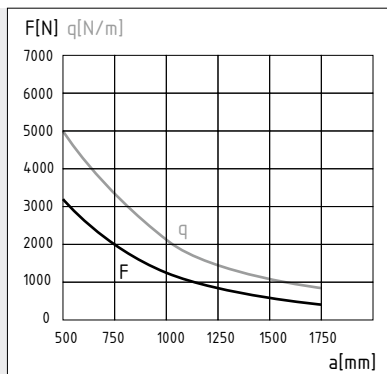
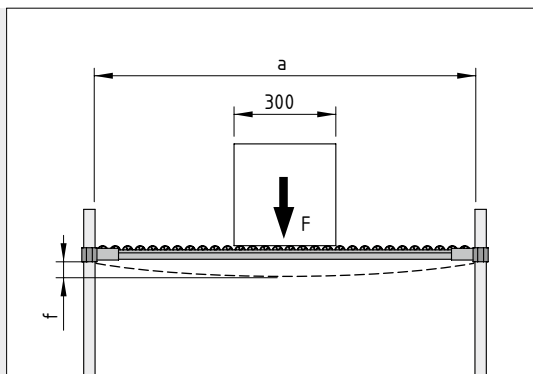
If necessary, individual roller elements can be replaced without having to use tools or take out other roller elements first.

To make sure workpieces stay on track, sturdy aluminium Guide Rails can also be added. Thanks to a special groove, installation is especially straightforward. The Guide Rails boost the rigidity of the conveyor line. Additional Slide Strips stop sensitive goods from being scratched.

Braking Castors can be used to regulate the running speed of containers regardless of their weight. This helps establish a smooth and even flow of materials and is kinder on the frame and transported goods.

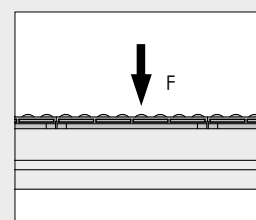
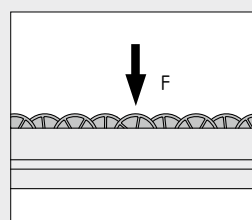
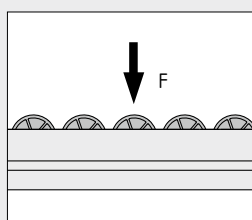
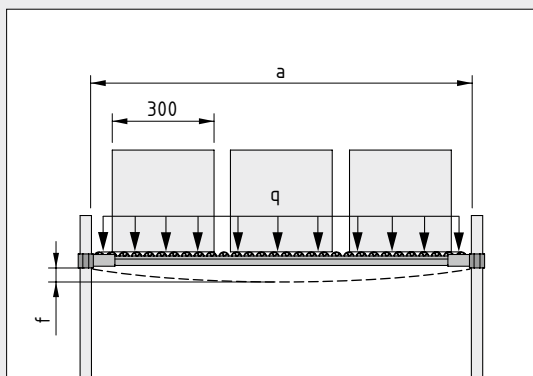
Note: Roller Conveyor 6 E D30 is also available in a double-width variant as Roller Conveyor 6 80x40 E D30.





Roller Conveyor 6 40x40 E D30

Roller Conveyor 6 40x40 E D30 with Guide Rails (increased bending strength)



Permissible force on a single roller element of Roller Conveyor 6 40x40 E D30:
 $F < 100 \text{ N}$

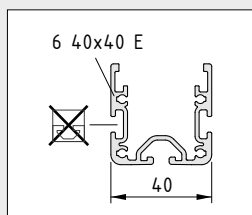
Permissible force on a single roller element of Roller Conveyor 6 40x40 E D30/2:
 $F < 50 \text{ N}$

Permissible force on a single roller element in Roller Conveyor 6 40x40 E D30 D11:
 $F < 50 \text{ N}$

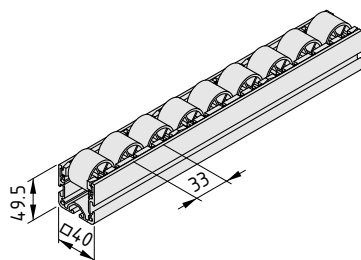
The relevant statutory regulations, such as DGV standards in Germany, must be adhered to when building racks. Please note that the load-carrying capacity of item Roller Conveyors can exceed the capacity of other components. The maximum deflection (f) item recommends for two parallel Roller Conveyors is: $f < 1/100 a$



Tip: Depending on the type and shape of goods being conveyed, weight can be unevenly distributed over the roller elements during transport. Please factor in this higher point loading when making your selection.



Castor Rail 6 E is available in two widths (40 and 80 mm). The indentations running along the outer sides are not system grooves, but are instead designed to accommodate Roller Conveyor 6 40x40 E Guide Rails.



Roller Conveyor 6 40x40 E D30



Castor Rail 6 40x40 E, Al, untreated
 Castor Inserts, PA, grey
 $m = 1.40 \text{ kg/m}$

cut-off max. 6000 mm

0.0.658.69

1 pce., length 6000 mm

0.0.658.68

Roller Conveyor 6 40x40 E D30 ESD



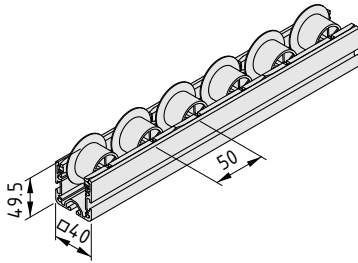
Castor Rail 6 40x40 E, Al, untreated
 Castor Inserts ESD, PA, black
 $m = 1.47 \text{ kg/m}$

cut-off max. 6000 mm

0.0.662.76

1 pce., length 6000 mm

0.0.662.75



Roller Conveyor 6 40x40 E D30 with Flanged Wheel



Castor Rail 6 40x40 E, Al, untreated
 Castor Inserts with Flanged Wheel, PA, grey
 m = 1.27 kg/m

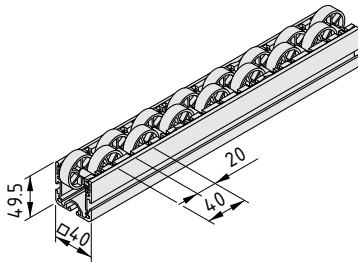
cut-off max. 6000 mm	0.0.658.71
1 pce., length 6000 mm	0.0.658.70

Roller Conveyor 6 40x40 E D30 with Flanged Wheel ESD



Castor Rail 6 40x40 E, Al, untreated
 Castor Inserts with Flanged Wheel ESD, PA, black
 m = 1.32 kg/m

cut-off max. 6000 mm	0.0.662.78
1 pce., length 6000 mm	0.0.662.77



Roller Conveyor 6 40x40 E D30/2



Castor Rail 6 40x40 E, Al, untreated
 Castor Inserts D30/2, PA, grey
 m = 1.42 kg/m

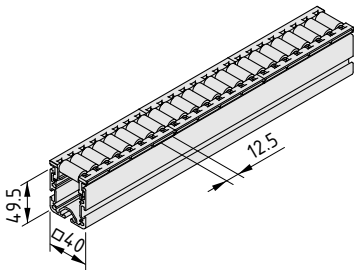
cut-off max. 6000 mm	0.0.658.73
1 pce., length 6000 mm	0.0.658.72

Roller Conveyor 6 40x40 E D30/2 ESD



Castor Rail 6 40x40 E, Al, untreated
 Castor Inserts D30/2 ESD, PA, black
 m = 1.45 kg/m

cut-off max. 6000 mm	0.0.662.80
1 pce., length 6000 mm	0.0.662.79



Roller Conveyor 6 40x40 E D30 D11



Castor Rail 6 40x40 E, Al, untreated
 Roller Inserts D11, PA, grey
 m = 1.53 kg/m

cut-off max. 6000 mm	0.0.662.83
1 pce., length 6000 mm	0.0.662.82

Roller Conveyor 6 40x40 E D30 D11 ESD



Castor Rail 6 40x40 E, Al, untreated
 Roller Inserts D11 ESD, PA, black
 m = 1.57 kg/m

cut-off max. 6000 mm	0.0.662.85
1 pce., length 6000 mm	0.0.662.84



Roller Conveyor 6 40x40 AI Fastening Brackets D30

- Universal fastenings for Roller Conveyor 6 40x40 E D30
- Secure transition between two roller conveyors
- Various end stops available



Designing custom transport lines is incredibly easy when using Roller Conveyor 6 40x40 AI Fastening Bracket D30. It is simply pushed onto the front end of Roller Conveyor 6 40x40 E D30 then hung on a (Profile) Tube D30.

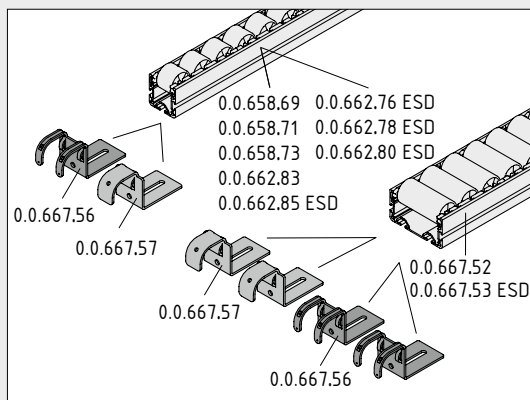
To create particularly rigid connections, the Fastening Bracket can be fastened to the Line 6 groove on the roller conveyor and screwed to the profile. Fastening elements are included in the scope of supply.

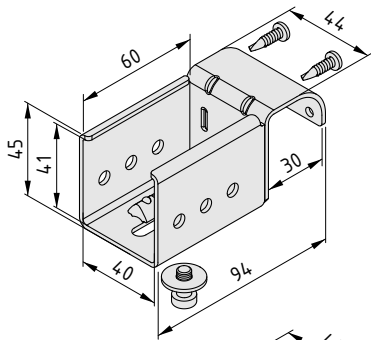
There are Fastening Brackets with stable end stops for the end point on a conveyor line. Roller Conveyor 6 40x40 AI, Fastening Bracket D30 with Forward Stop H43 supports short reaching distances because the transported goods come to a stop above the horizontal strut. This makes it easier for operators to remove crates from the conveyor line and thus offers an ergonomic advantage.

Alternatively, Castor Rail 8 Cap 80x40 (0.0.622.30) can be used as a stop, which means conveyor lines can also terminate outside the frame.



Roller Conveyor 6 40x40 AI Fastening Brackets U D30 and I D30 are used to join two conveyor lines (even when they are at different angles). The hooks of the Fastening Brackets are arranged asymmetrically so they can be fitted to the same crossmember, thereby lining up roller conveyors flush with each other. Roller Conveyor 6 AI Fastening Brackets U D30 and I D30 can be used for the same purpose. These don't have any side plates, which means a Guide Rail can be run right up to the transition point, because the side indentations are not covered over.



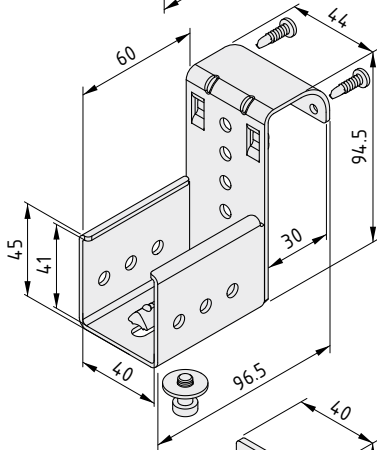


Roller Conveyor 6 40x40 Al Fastening Bracket D30



Fastening Bracket, St, bright zinc-plated
 2 Button-Head Screws, self-tapping 3.9x16, TX20, St, bright zinc-plated
 Hexagon Socket Head Cap Screw DIN 6912 M6x12, St, bright zinc-plated
 Washer ISO 7093-1-6-200 HV, St, bright zinc-plated
 T-Slot Nut 6 St M6, St, bright zinc-plated
 m = 190.0 g

1 set 0.0.660.57

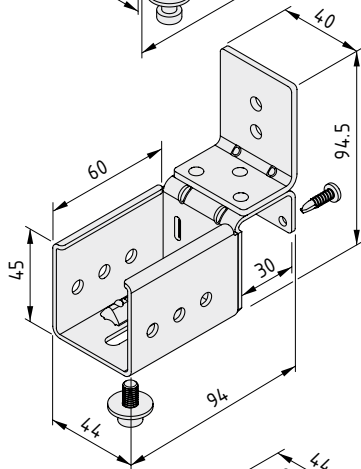


Roller Conveyor 6 40x40 Al, Fastening Bracket D30 with Stop H43



Fastening Bracket, St, bright zinc-plated
 2 Button-Head Screws, self-tapping 3.9x16, TX20, St, bright zinc-plated
 Hexagon Socket Head Cap Screw DIN 6912 M6x12, St, bright zinc-plated
 Washer ISO 7093-1-6-200 HV, St, bright zinc-plated
 T-Slot Nut 6 St M6, St, bright zinc-plated
 m = 226.0 g

1 set 0.0.660.58

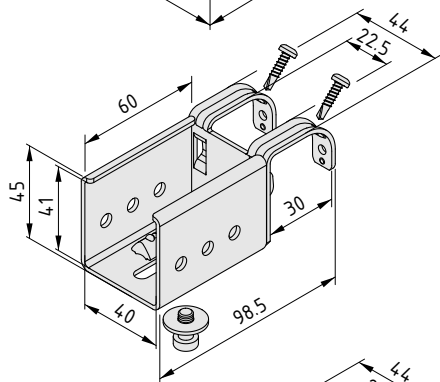


Roller Conveyor 6 40x40 Al, Fastening Bracket D30 with Forward Stop H43



Fastening Bracket, St, bright zinc-plated
 2 Button-Head Screws, self-tapping 3.9x16, TX20, St, bright zinc-plated
 Hexagon Socket Head Cap Screw DIN 6912 M6x12, St, bright zinc-plated
 Washer ISO 7093-1-6-200 HV, St, bright zinc-plated
 T-Slot Nut 6 St M6, St, bright zinc-plated
 m = 258.0 g

1 set 0.0.659.19

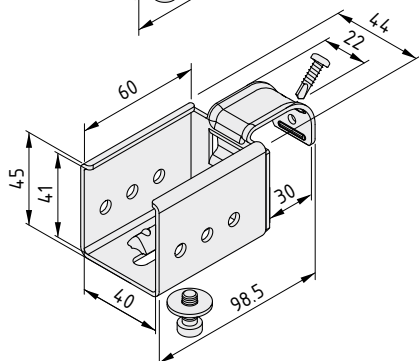


Roller Conveyor 6 40x40 Al Fastening Bracket U D30



Fastening Bracket, St, bright zinc-plated
 2 Button-Head Screws, self-tapping 3.9x16, TX20, St, bright zinc-plated
 Hexagon Socket Head Cap Screw DIN 6912 M6x12, St, bright zinc-plated
 Washer ISO 7093-1-6-200 HV, St, bright zinc-plated
 T-Slot Nut 6 St M6, St, bright zinc-plated
 m = 183.0 g

1 set 0.0.660.59

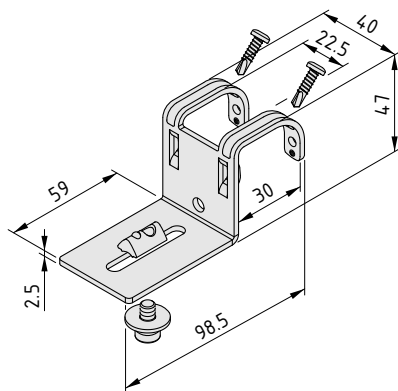


Roller Conveyor 6 40x40 Al Fastening Bracket I D30



Fastening Bracket, St, bright zinc-plated
 Button-Head Screw, self-tapping 3.9x16, TX20, St, bright zinc-plated
 Hexagon Socket Head Cap Screw DIN 6912 M6x12, St, bright zinc-plated
 Washer ISO 7093-1-6-200 HV, St, bright zinc-plated
 T-Slot Nut 6 St M6, St, bright zinc-plated
 m = 188.0 g

1 set 0.0.660.60

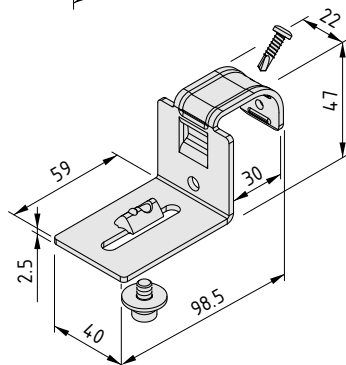


Roller Conveyor 6 AI Fastening Bracket U D30



Fastening Bracket, St, bright zinc-plated
 2 Button-Head Screws, self-tapping 3.9x16, TX20, St, bright zinc-plated
 Hexagon Socket Head Cap Screw DIN 6912 M6x12, St, bright zinc-plated
 Washer ISO 7093-1-6-200 HV, St, bright zinc-plated
 T-Slot Nut 6 St M6, St, bright zinc-plated
 m = 130.0 g

1 set 0.0.667.56



Roller Conveyor 6 AI Fastening Bracket I D30



Fastening Bracket, St, bright zinc-plated
 Button-Head Screw, self-tapping 3.9x16, TX20, St, bright zinc-plated
 Hexagon Socket Head Cap Screw DIN 6912 M6x12, St, bright zinc-plated
 Washer ISO 7093-1-6-200 HV, St, bright zinc-plated
 T-Slot Nut 6 St M6, St, bright zinc-plated
 m = 125.0 g

1 set 0.0.667.57



Note:
 Detailed information on the installation dimensions of the roller conveyors, including Fastening Brackets, can be found in the Technical Data section.



Roller Conveyor 6 40x40 E D30 Brakes

- Stops transported goods at the desired point
- Stable, durable steel clip

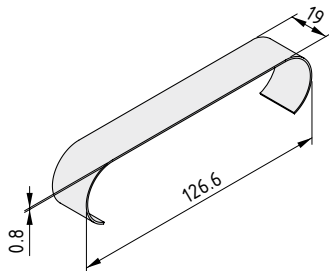


Bring to a stop on the dot! Given the wide range of roller elements available, it is important to use the right type of brake for your specific configuration of Roller Conveyor 6 40x40 E D30.

Use the Brakes as follows:

- For **Castors D30**, use Roller Conveyor St D30 Brake (0.0.647.76)
- For **Castors D30 with Flanged Wheel**, use Roller Conveyor St D30 Brake (0.0.647.76)
- For **Castors D30/2**, use Roller Conveyor 6 40x40 E D30/2 Brake (0.0.661.22)
- For **Rollers D11**, use Roller Conveyor 6 40x40 E D30 D11 Brake (0.0.677.70)

The brakes can be used with the ESD-safe versions of the roller conveyors. All you need to do is push the steel clip into place precisely where you want to bring crates or goods to a stop.



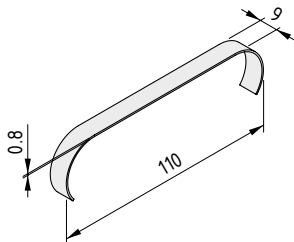
Roller Conveyor St D30 Brake



St, stainless
m = 20.0 g

1 pce.

0.0.647.76



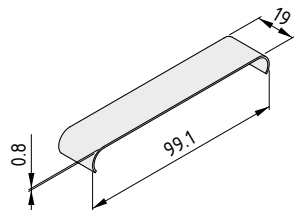
Roller Conveyor 6 40x40 E D30/2 Brake



St, stainless
m = 8.5 g

1 pce.

0.0.661.22



Roller Conveyor 6 40x40 E D30 D11 Brake



St, stainless
m = 14.0 g

1 pce.

0.0.677.70



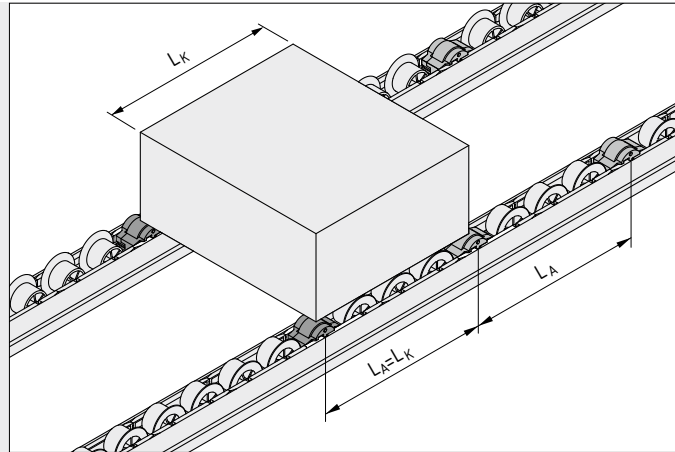
Braking Castor D30-23

- Regulates speed
- Adaptive braking action
- Can be replaced without tools
- Ideal for Karakuri/LCA and shooter solutions

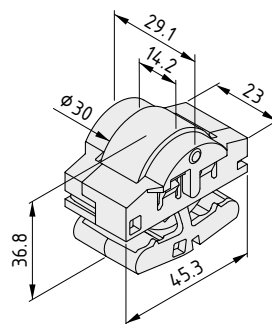
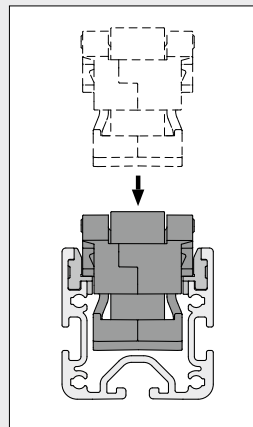
The insert for controlling speed: Braking Castor D30-23 is used to regulate the speed of containers as they move over Roller Conveyor 6 40x40 E D30.

This Braking Castor keeps everything moving at a consistent speed, even on steep gradients and when working with heavy objects. When objects are moving slowly, the mechanical system has a lower braking effect. This ensures the automatic unloading of a FIFO rack or Karakuri/LCA solution is not compromised, because queued transport goods will start moving again.

The item Braking Castors should be distributed along the entire length of a roller conveyor. No special tools are needed to install and remove them.



L_A = Spacing of Braking Castors



Braking Castor D30-23

PA/TPE
m = 35.0 g

grey similar to RAL 7042, 1 pce.

0.0.670.90



Back Stops D4-23

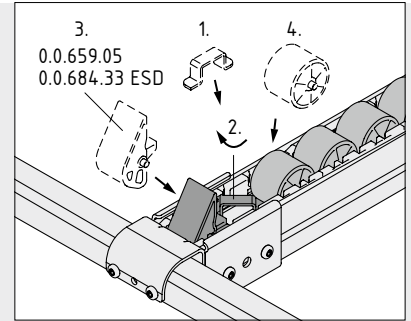
- Stops loads falling out
- Stops transported goods rolling back
- Makes loading the roller conveyor easy



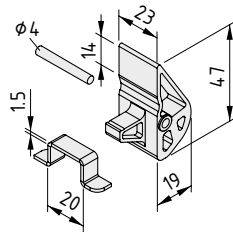
Added safety for transport: Back Stop D4-23 will only allow crates and goods to move along Roller Conveyors 6 40x40 E D30 in one direction. This stops small load carriers (SLCs) from being pushed backwards in the material supply system. Back Stops are a recommended addition for any transport trolleys fitted with roller conveyors. For example, they ensure inertial forces do not cause loads to slip off trolleys when they are moved around corners.

Back Stops D4-23 can be retrofitted and are simply clipped into the roller conveyor in place of a roller element. Back Stop D4-23 ESD is used to protect sensitive electronic goods.

Note: Back Stop D2.8-25 (0.0.666.67) is used for Roller Conveyor St D30.



First, remove 2 roller elements. Insert the retaining plate in the direction of travel (1.) then twist into place (2.). Next, insert the Back Stop (3) for Roller Conveyor 6 40x40 E D30 and one of the two roller elements you removed earlier (4.).



Back Stop D4-23

Back Stop, PA, grey
Axle, St, stainless
Retaining plate, St, stainless
m = 18.0 g

1 set

0.0.659.05

Back Stop D4-23 ESD



Back Stop, PA-ESD, black
Axle, St, stainless
Retaining plate, St, stainless
m = 19.0 g

1 set

0.0.684.33



Roller Conveyors 6 80x40 E D30

- Especially wide roller elements
- For transporting goods with uneven or less robust bases
- Line 6 groove ensures suitability as a load-bearing element in picking solutions



All the benefits of Roller Conveyor 6 E – just in double the width. The larger contact surface on Roller Conveyor 6 80x40 E D30 offers additional support for goods with uneven or soft bases. It is ideal when using small load carriers with honey-combed bases or cardboard containers.

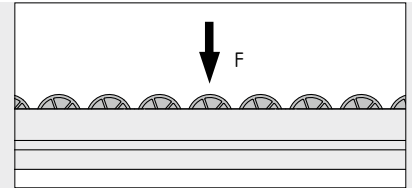
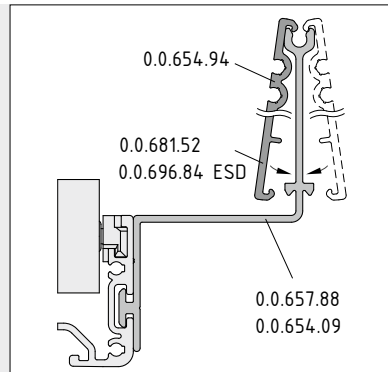
Roller Conveyor 6 80x40 E D30 is supplied pre-configured with D30 roller elements and in the desired length. Simply unpack and install! Replacing roller elements is easy, as no tools are required and none of the surrounding roller elements need to be removed.

Aluminium Roller Conveyor 6 40x40 E Guide Rails are used as a safe means of keeping the transported goods on track. They are simply pushed into the groove on the side of the Castor Rail profile, which also increases the rigidity of the conveyor line. Slide Strips made of PE-HD can then be fitted to protect against scratches. They are clipped onto the Guide Rails.

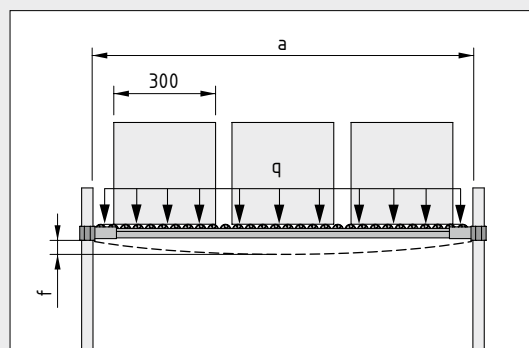
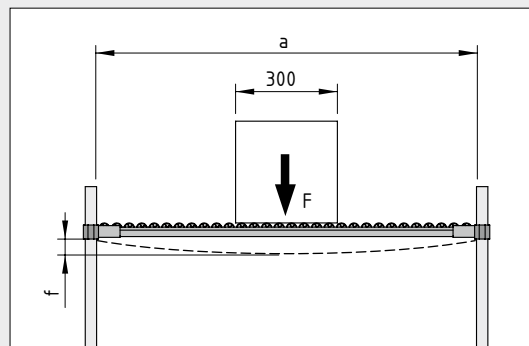
Two Line 6 profile grooves on the underside are used to fasten the conveyor to a frame and make it easier to fit panel elements that shield roller conveyors underneath from dirt and dust.

Roller Conveyor 6 80x40 E D30 boasts very good load-carrying capacity over long stretches and excellent rigidity – including when exposed to sideways bending. This means that, in most cases, there is no need for additional support. Roller Conveyor 6 80x40 E D30 is also available in an ESD-safe version.

Note: Roller Conveyor 6 40x40 E D30 is available as a narrower variant in a width of 40 mm.

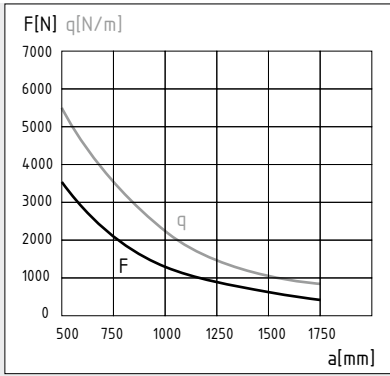


Permissible force on a single roller element of Roller Conveyor 6 80x40 E D30: $F < 100\text{ N}$

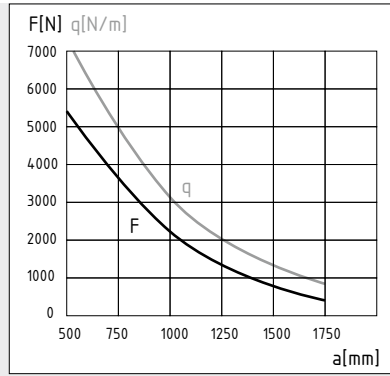


Tip: Depending on the type and shape of goods being conveyed, weight can be unevenly distributed over the roller elements during transport. Please factor in this higher point loading when making your selection.

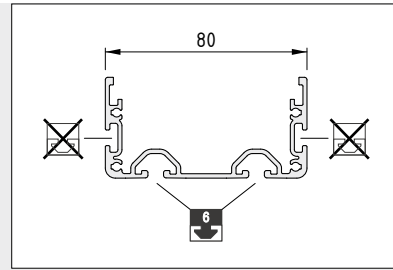
The relevant statutory regulations, such as DGUV standards in Germany, must be adhered to when building racks. Please note that the load-carrying capacity of item roller conveyors can exceed the capacity of other components. The maximum deflection (f) item recommends for two parallel roller conveyors is: $f < 1/100 a$



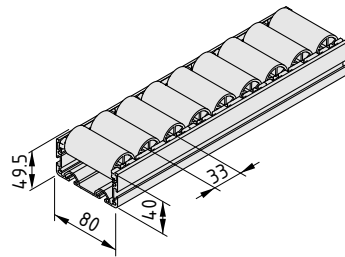
Roller Conveyor 6 80x40 E D30



Roller Conveyor 6 80x40 E D30 with Guide Rails (increased bending strength)



Important:
The load limits of adjacent components in the construction must be taken into account.



Roller Conveyor 6 80x40 E D30



Castor Rail 6 80x40 E, Al, bright
Roller Inserts D30-63, PA
m = 2.25 kg/m

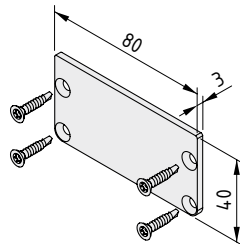
cut-off max. 6000 mm	0.0.667.52
1 pce., length 6000 mm	0.0.667.48

Roller Conveyor 6 80x40 E D30 ESD



Castor Rail 6 80x40 E, Al, bright
Roller Inserts D30-63 ESD, PA, black
m = 2.33 kg/m

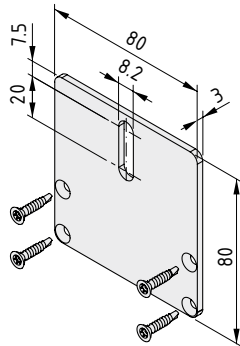
cut-off max. 6000 mm	0.0.667.53
1 pce., length 6000 mm	0.0.667.49



Castor Rail 80x40, Cap 80x40

St, bright zinc-plated, black
4 Countersunk Screws self-tapping 3.9x19, TX20, St, bright zinc-plated
m = 78.0 g

1 set	0.0.668.99
-------	------------



Castor Rail 80x40, Cap 80x80

St, bright zinc-plated, black
4 Countersunk Screws self-tapping 3.9x19, TX20, St, bright zinc-plated
m = 148.0 g

1 set	0.0.669.00
-------	------------



Roller Conveyor 6 80x40 Fastening Brackets D30

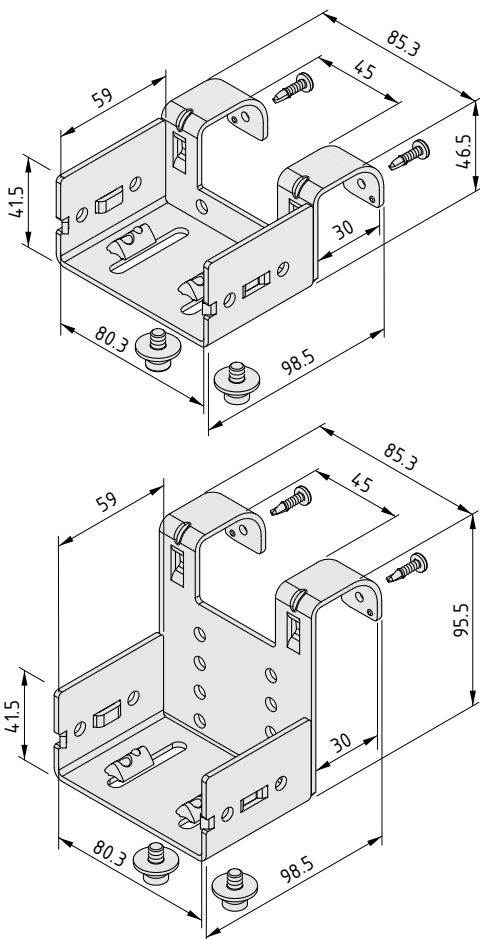
- Secures Roller Conveyor 6 80x40 to Tubes D30
- Stable connection due to T-Slot Nut
- Also available with integrated stop



A stable hold at every angle: Roller Conveyor 6 80x40 Fastening Bracket D30 is used to fasten Roller Conveyor 6 80x40 E D30 to a (Profile) Tube D30.

The Fastening Bracket can be secured to the roller conveyor with the supplied T-Slot Nuts, thereby creating a very secure connection. This means the roller conveyor can be used as a load-bearing element, which enhances the stability of the frame. If required, the Fastening Bracket can also be secured to the profile using the enclosed self-tapping screws.

Note: Roller Conveyor 6 AI Fastening Brackets U D30 (0.0.667.56) and I D30 (0.0.667.57) are used to interlink conveyor lines with Roller Conveyor 6 80x40. Their hanger elements intermesh on the strut. Two Fastening Brackets of each type are screwed to the Line 6 grooves on the roller conveyors.



Roller Conveyor 6 80x40 Fastening Bracket D30



Fastening Bracket, St, bright zinc-plated
 2 Button-Head Screws, self-tapping 3.9x16, TX20, St, bright zinc-plated
 2 Hexagon Socket Head Cap Screws DIN 6912 M6x12, St, bright zinc-plated
 2 Washers ISO 7093-1-6-200 HV, St, bright zinc-plated
 2 T-Slot Nuts 6 St M6, St, bright zinc-plated
 m = 297.0 g

1 set 0.0.667.54

Roller Conveyor 6 80x40 Fastening Bracket D30 with Stop H43



Fastening Bracket, St, bright zinc-plated
 2 Button-Head Screws, self-tapping 3.9x16, TX20, St, bright zinc-plated
 2 Hexagon Socket Head Cap Screws DIN 6912 M6x12, St, bright zinc-plated
 2 Washers ISO 7093-1-6-200 HV, St, bright zinc-plated
 2 T-Slot Nuts 6 St M6, St, bright zinc-plated
 m = 368.0 g

1 set 0.0.667.55



Roller Conveyor 6 40x40 E Guide Rails

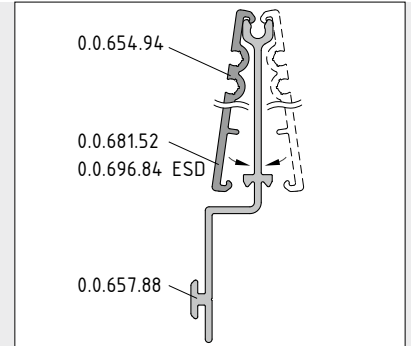
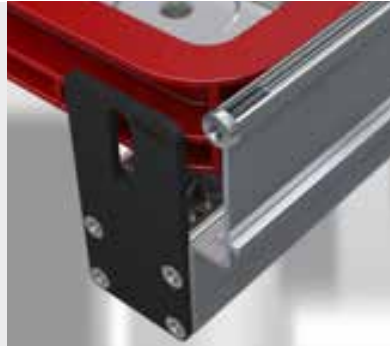
- Stable side guidance made from aluminium
- Available in two widths
- Also add extra rigidity to all Roller Conveyors 6 E D30



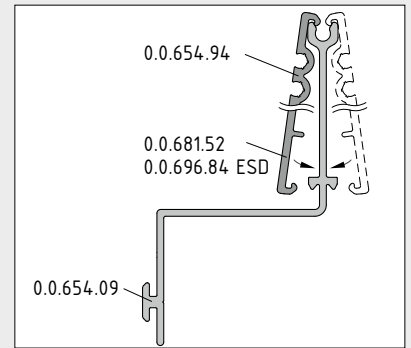
Tough but gentle: The Guide Rails for Roller Conveyors 6 E D30 have a lot going for them. Made from aluminium, they are slotted into the special groove that runs along the side of the roller conveyor and can withstand even rough collisions without coming away. They also make the already robust roller conveyors even more rigid and reduce deflection by up to 50 percent.

Two types of Guide Rail are available – one that is spaced 30 mm from the centre of the roller conveyor (Roller Conveyor 6 40x40 E Guide Rail e30) and another that is 60 mm from the centre line (Roller Conveyor 6 40x40 E Guide Rail e60).

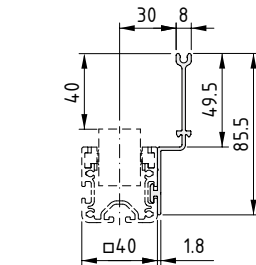
Note: Roller Conveyor 6 40x40 E Guide Rails can also be slotted into the side groove on Castor Rail 8 40x40.



Slide strips can be used with aluminium item guide rails. They are available in smooth and profiled versions and are simply clipped on at the side.



Tip:
To avoid the need for deburring, you can cover the cut edges of the screw channel at the top of the Guide Rails with Button-Head Screw Self-Tapping M5x16, TX25.



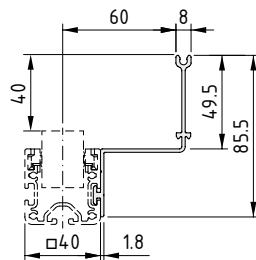
Roller Conveyor 6 40x40 E Guide Rail e30



Al, untreated
m = 0.62 kg/m

natural, cut-off max. 6000 mm 0.0.657.88

natural, 1 pce., length 6000 mm 0.0.657.87



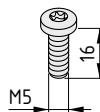
Roller Conveyor 6 40x40 E Guide Rail e60



Al, untreated
m = 0.77 kg/m

natural, cut-off max. 6000 mm 0.0.654.09

natural, 1 pce., length 6000 mm 0.0.654.05



Button-Head Screw Self-Tapping M5x16, TX25



St, bright zinc-plated
m = 4.0 g

1 pce. 0.0.674.89



Roller Conveyor 6 40x40 E Guide Rail Slide Strip Slide Strip 48x2, plain

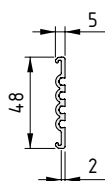
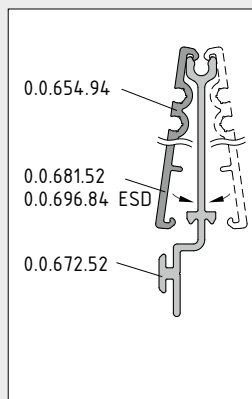
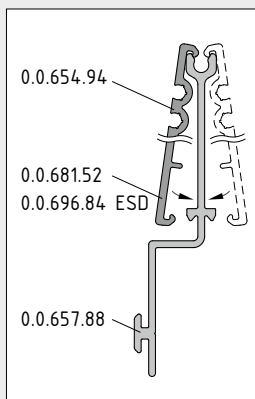
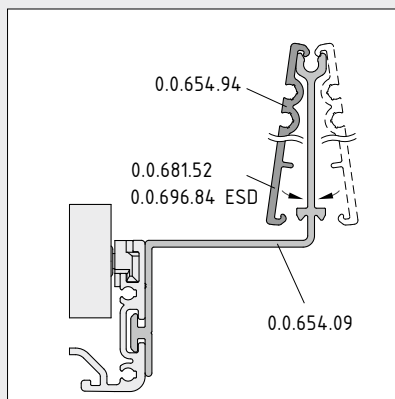
- Covering for aluminium Guide Rails
- Protect transported goods on roller conveyors
- Low-friction plastic



Protect without slowing down: Slide Strips made of high-strength polyethylene protect sensitive workpieces.

Roller Conveyor 6 40x40 E Guide Rail Slide Strip and Slide Strip 48x2 can be attached to all Guide Rails e and z made of aluminium. They can be clipped to either side of the Guide Rail.

The Slide Strips are available in smooth and profiled versions. The smooth version is also available in an ESD-safe variant.



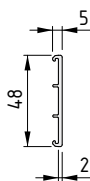
Roller Conveyor 6 40x40 E Guide Rail Slide Strip

PE-HD

m = 124.0 g/m

grey similar to RAL 7042, 1 pce., length 3000 mm

0.0.654.94



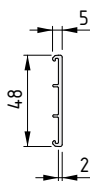
Slide Strip 48x2, plain

PE-HD

m = 111.0 g/m

grey similar to RAL 7042, 1 pce., length 3000 mm

0.0.681.52



Slide Strip 48x2, plain ESD

PE-HD, ESD

m = 116.0 g/m

black similar to RAL 9005, 1 pce., length 3000 mm

0.0.696.84





Castor Rail 6 40x40 E Castor Rail 6 80x40 E

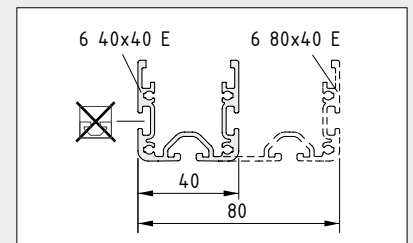
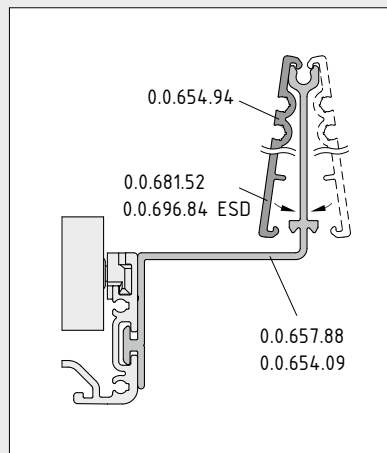
- The basis for custom configured roller conveyors
- Various roller elements available



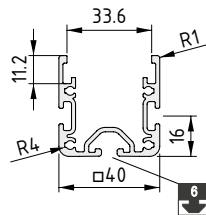
Want to do things your own way? Castor Rails 6 40x40 E and 80x40 E can be used to put together a bespoke Roller Conveyor 6 E D30.

Castor Rails 6 E offer exactly the same benefits as the preassembled roller conveyors. They exhibit excellent bending strength and are secured to the frame on the underside with a friction-based connection using their Line 6 profile groove. Guide Rails that can be slotted in at the side help to keep small load carriers and goods on track and also make the profile more rigid.

The appropriate Roller Tracks need to be installed in the Castor Rail to hold roller elements in place. For example, Castor Rail 6 40x40 E can thus be fitted out with coloured roller elements that show the fill level of the roller conveyor.



Castor Rail 6 E is available in two widths (40 and 80 mm). The indentations running along the outer sides are not system grooves, but are instead designed to accommodate Roller Conveyor 6 40x40 E Guide Rails.

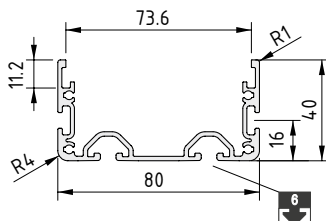


Castor Rail 6 40x40 E



Al, untreated

A [cm ²]	m [kg/m]	I _x [cm ⁴]	I _y [cm ⁴]	W _x [cm ³]	W _y [cm ³]
3.63	0.98	5.00	8.53	1.99	4.27
natural, cut-off max. 6000 mm					
natural, 1 pce., length 6000 mm					
					0.0.651.29
					0.0.650.47

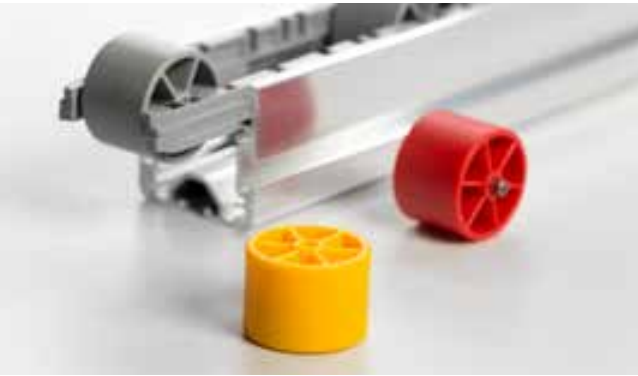


Castor Rail 6 80x40 E



Al, untreated

A [cm ²]	m [kg/m]	I _x [cm ⁴]	I _y [cm ⁴]	W _x [cm ³]	W _y [cm ³]
4.76	1.28	6.18	45.76	2.23	11.44
natural, cut-off max. 6000 mm					
natural, 1 pce., length 6000 mm					
					0.0.662.36
					0.0.662.16



Castor D30 Rollers D11

- Roller elements available separately
- For custom configuration of Castor Rails 6 E



Just the way you like it! The roller elements of the ready-to-install item Roller Conveyors 6 E are also available separately. Design your own custom roller conveyor by combining a range of different roller elements. The roller elements are available in ESD-safe versions, too.

The roller elements can also be used as spare parts for Roller Conveyors 6 40x40 E D30 and 6 80x40 E D30.

Please ensure the combination of roller element, Roller Track and Castor Rail is correct when placing an order. It may also be necessary to order an Axle D4 in the relevant length. The following roller elements are available:

Castor D30-23:

A strong 23 mm-wide roller element available in a range of colours with or without a flanged wheel that provides side guidance.

Castor D30/2-23:

Half-width, side-by-side, offset roller elements. This reduces the axle spacing.

Roller D11-23:

The very tight spacing of roller elements on smooth-running Rollers D11 ensures steady movement on conveyor lines. This minimises vibration and ensures that even very soft card packaging can be conveyed.

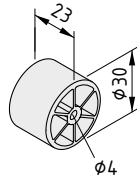
Roller D30-63

A robust and easy-running 63 mm-wide roller element for Castor Rail 6 80x40 E or as a replacement for damaged roller elements in Roller Conveyor 6 80x40 E D30.



The following applies to all the products below:

PA



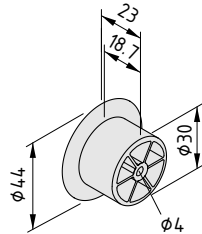
Castor D30-23

m = 7.5 g	
grey similar to RAL 7042, 1 pce.	0.0.620.36
signal red similar to RAL 3001, 1 pce.	0.0.620.42
signal yellow similar to RAL 1003, 1 pce.	0.0.620.44
signal green similar to RAL 6032, 1 pce.	0.0.620.46

Castor D30-23 ESD



m = 8.0 g	
black similar to RAL 9005, 1 pce.	0.0.620.41



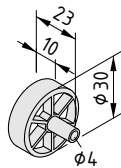
Castor D30-23 with Flanged Wheel

m = 9.0 g	
grey similar to RAL 7042, 1 pce.	0.0.620.37
signal red similar to RAL 3001, 1 pce.	0.0.620.52
signal yellow similar to RAL 1003, 1 pce.	0.0.620.54
signal green similar to RAL 6032, 1 pce.	0.0.620.56

Castor D30-23 with Flanged Wheel ESD



m = 10.0 g	
black similar to RAL 9005, 1 pce.	0.0.620.51



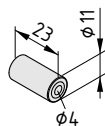
Castor D30/2-23

m = 4.0 g	
grey similar to RAL 7042, 1 pce.	0.0.656.78

Castor D30/2-23 ESD



m = 5.0 g	
black similar to RAL 9005, 1 pce.	0.0.656.85



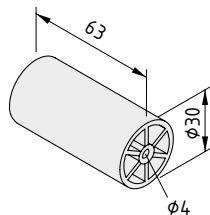
Roller D11-23

m = 2.0 g	
grey similar to RAL 7042, 1 pce.	0.0.664.56

Roller D11-23 ESD



m = 2.0 g	
black similar to RAL 9005, 1 pce.	0.0.648.97



Roller D30-63

m = 22.0 g	
grey similar to RAL 7042, 1 pce.	0.0.662.97

Roller D30-63 ESD



m = 24.0 g	
black similar to RAL 9005, 1 pce.	0.0.664.42



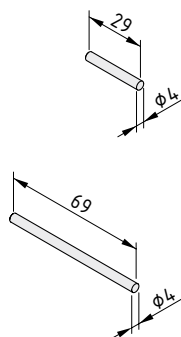
Axle D4x29

- Stable stainless steel Axles
- Two lengths compatible with Castor Rails 6 E



The stable stainless steel Axle ensures that roller elements run easily and smoothly in the roller conveyor.

The Axle is available in two lengths - 29 mm for all Castors D30-23, D30/2-23 and Rollers D11, and 69 mm for all Rollers D30-63.



Axle D4x29

St, stainless
m = 3.0 g

1 pce.

0.0.619.13



Axle D4x69

St, stainless
m = 7.0 g

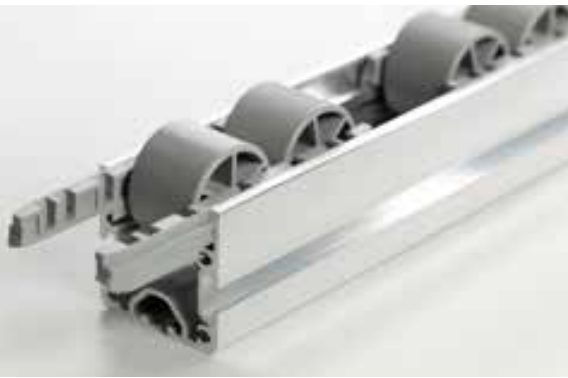
1 pce.

0.0.662.37



Roller Tracks 100 D4

- For custom Roller Conveyors 6 E
- Various Tracks for various roller element types



The sturdy Roller Tracks 100 D4 can be used to design custom roller conveyors. Roller Tracks are basically used to fix roller elements in Castor Rails 6 40x40 E(0.0.651.29) and 6 80x40 E (0.0.662.36). They are also used as spare parts for Roller Conveyors 6 E.

They are exceptionally easy to install. The Roller Tracks are slotted into the end-face of a Castor Rail, where they are held in place without the need for any screws. Each roller element can then be individually inserted and replaced – with no need for any tools.

There is a Roller Track for every roller element. The following combinations are possible:

Roller Track 100 D4-20/33 (0.0.649.60):

Castors D30 (all colours)
Castors D30/2-23 (0.0.656.78)

Roller Track 100 D4-20/33 ESD (0.0.662.24):

Castors D30 ESD (0.0. 620.41)
Castors D30/2-23 ESD (0.0.656.85)

Roller Track 100 D4-50 (0.0.650.48):

Castors D30 with flanged wheel (all colours)

Roller Track 100 D4-50 ESD (0.0.662.25):

Castors D30 with flanged wheel ESD (0.0.620.51)

Roller Track 100 D4-12.5 (0.0.656.87):

Rollers D11-23 (0.0.664.56)

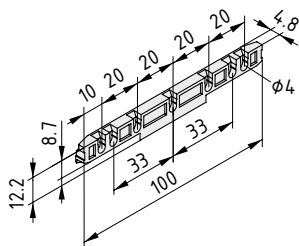
Roller Track 100 D4-12.5 ESD (0.0.662.48):

Rollers D11-23 ESD (0.0.648.97)

Note:

The overview “Individual parts for Roller Conveyors 6 and 8” on pages 120/121 illustrates the corresponding roller elements, Axles and Roller Tracks.





Roller Track 100 D4-20/33

ABS
m = 5.0 g

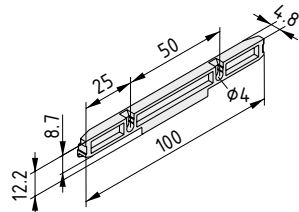
grey similar to RAL 7042, 1 pce. 0.0.649.60

Roller Track 100 D4-20/33 ESD



PA-GF, ESD
m = 6.0 g

black similar to RAL 9005, 1 pce. 0.0.662.24



Roller Track 100 D4-50

ABS
m = 5.0 g

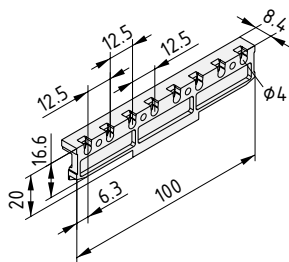
grey similar to RAL 7042, 1 pce. 0.0.650.48

Roller Track 100 D4-50 ESD



PA-GF, ESD
m = 6.0 g

black similar to RAL 9005, 1 pce. 0.0.662.25



Roller Track 100 D4-12.5

ABS
m = 8.0 g

grey similar to RAL 7042, 1 pce. 0.0.656.87

Roller Track 100 D4-12.5 ESD



PA-GF, ESD
m = 10.0 g

black similar to RAL 9005, 1 pce. 0.0.662.48



Castor Ball Insert D16-33 ESD

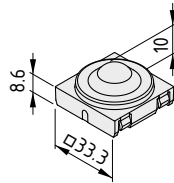
- For Roller Conveyor 6 40x40 E D30
- Tight packing density
- Variable conveying height



Fluid movement to wherever you want! Castor Ball Insert D16-33 ESD moves transported goods in any direction with very low friction. As a result, the castor balls enable changes of direction on Karakuri/LCA applications and on transport lines.

This Insert for Roller Conveyors 6 40x40 E D30 is just 33 mm long and therefore more compact than Castor Ball Insert ESD (0.0.620.26) for Castor Rail 8 40x40. This means more roller elements can be fitted in for every metre. This high packing density leads to especially smooth movement because containers are in contact with more castor balls. In many cases, this also means that roller conveyors can be built with a lower gradient.

The Castor Ball Insert is supplied preassembled and is ESD-safe. If necessary, the castor ball can be replaced with a Brush Set ESD (0.0.622.24). Furthermore, the height of the castor ball – and therefore the conveying height – can be varied by 0.5 mm depending on the mounting arrangement of the frame.



Castor Ball Insert D16-33 ESD



Preassembled
 Castor ball D24, St
 Cage for Castor Ball Insert, PA ESD
 m = 46.5 g

1 pce.

0.0.700.18



Roller Conveyors 8 D30

- Excellent flexural rigidity and custom configurable
- Large selection of castors, rollers, castor balls and other inserts
- Line 5 and 8 system grooves provide versatile connection options

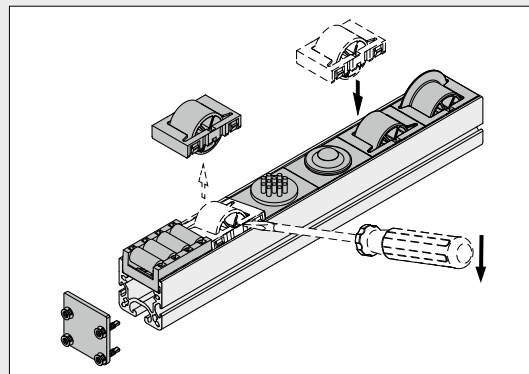


The all-rounder: Roller Conveyor 8 D30 is the specialist for tricky transport tasks. Whether preconfigured or customised using a huge range of functional inserts, it can be used to create conveyor sections that are perfectly tailored to the characteristics of the transported goods and adapted to the pace of the process. It also supports retrospective adjustments as part of a continuous improvement process.

Inserts fitted with castors, rollers, castor balls, brushes and slide elements can all be combined as required in rigid Castor Rail 8 40x40.

Line 5 and 8 system grooves ensure the Castor Rails can be connected to each other as well as to frames, Transfer Gates, railings and other solutions.

Roller Conveyor AI, Fastening Brackets D30 are used to fasten Roller Conveyor 8 D30 to frames made of (profile) tubes.

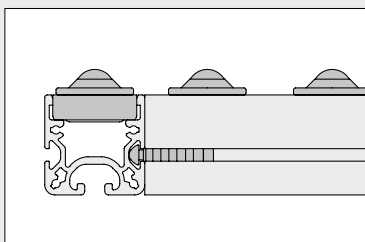


Customising Castor Rail 8 40x40 couldn't be easier: Simply push the inserts into the rail to build your ideal roller conveyor. Caps secure the ends.

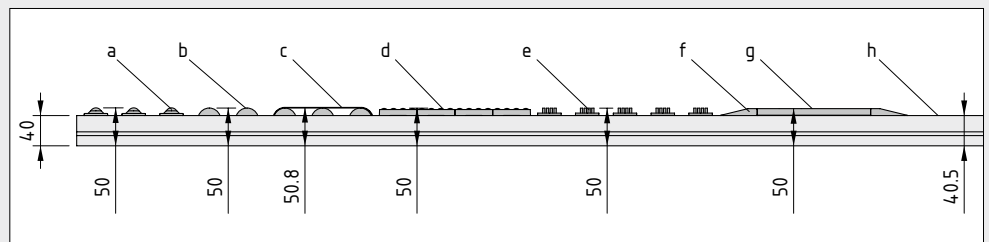


Note:

Transfer Gates for handling workpiece carriers on Castor Rail 8 can be found in the item Online Shop (item24.de/en/shop) and in the item Work Bench System catalogue, in the section on interlinking work benches.



Right-angled connection of two Castor Rails 8 40x40 using fastening elements fitted to the Line 5 profile groove.



The wide range of inserts available for Castor Rail 8 40x40 make it a true all-rounder:

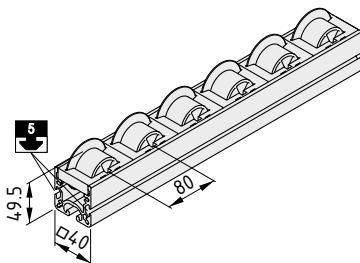
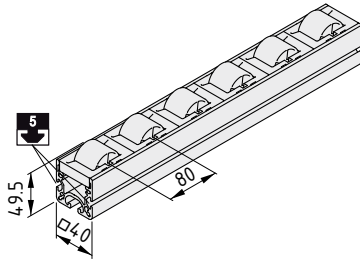
- a: Castor Ball Inserts ESD
- b: Castor Inserts D30/Castor Inserts D30 with Flanged Wheel, ESD-safety optional
- c: Castor Rail 8 40x40, Brake
- d: Roller Inserts 4xD11, ESD-safety optional
- e: Brush Inserts ESD
- f: Slide Strip Wedge Insert ESD
- g: Castor Rail 8 40x40, Slide Strip ESD – raised installation
- h: Castor Rail 8 40x40, Slide Strip ESD – low installation

The relevant statutory regulations, such as DGUV standards in Germany, must be adhered to when building racks. Please note that the load-carrying capacity of item roller conveyors can exceed the capacity of other components. The maximum deflection (f) item recommends for two parallel roller conveyors is: $f < 1/100 a$



Tip:

Depending on the type and shape of goods being conveyed, weight can be unevenly distributed over the roller elements during transport. Please factor in this higher point loading when making your selection.



Roller Conveyor 8 D30



Castor Rail 8 40x40, Al, anodized, natural
Castor Inserts, black
m = 1.70 kg/m

cut-off max. 6000 mm

0.0.628.40

Roller Conveyor 8 D30 ESD



Castor Rail 8 40x40, Al, anodized, natural
Castor Inserts, black
m = 1.70 kg/m

cut-off max. 6000 mm

0.0.628.42

Roller Conveyor 8 D30 with Flanged Wheel



Castor Rail 8 40x40, Al, anodized, natural
Castor Inserts with Flanged Wheel, black
m = 1.70 kg/m

cut-off max. 6000 mm

0.0.628.41

Roller Conveyor 8 D30 ESD with Flanged Wheel



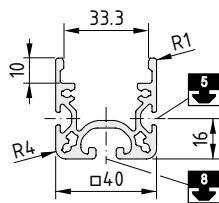
Castor Rail 8 40x40, Al, anodized, natural
Castor Inserts with Flanged Wheel, black
m = 1.70 kg/m

cut-off max. 6000 mm

0.0.628.43

Castor Rail 8 40x40

- Custom configurable with inserts
- Extremely high bending strength
- Optimum connection options thanks to three system grooves



Castor Rail 8 40x40



Al, anodized

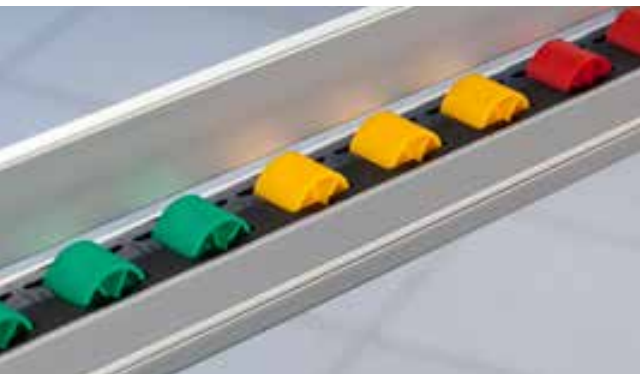
A [cm ²]	m [kg/m]	I _x [cm ⁴]	I _y [cm ⁴]	W _x [cm ³]	W _y [cm ³]
4.65	1.28	5.65	9.87	3.86	4.93

natural, cut-off max. 6000 mm

0.0.626.91

natural, 1 pce., length 6000 mm

0.0.618.28



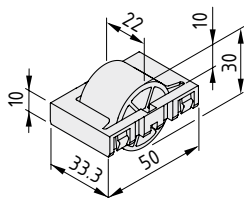
Castor Inserts D30

- Easy-running castors in ready-to-use modules
- Various colours mark fill levels
- Available in ESD-safe design



The following applies to all the products below:

Castor D30, PA
Housing, PA-GF, black
Axle, St, stainless



Castor Insert D30

m = 18.1 g	
black similar to RAL 9005, 1 pce.	0.0.620.16
signal red similar to RAL 3001, 1 pce.	0.0.627.06
signal yellow similar to RAL 1003, 1 pce.	0.0.627.07
signal green similar to RAL 6032, 1 pce.	0.0.627.08

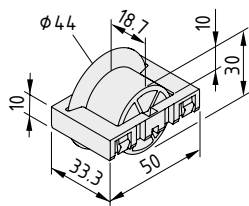
Castor Insert D30 ESD



m = 19.2 g	
black similar to RAL 9005, 1 pce.	0.0.622.27

The following applies to all the products below:

Castor D30 with flanged wheel, PA
Housing, PA-GF, black
Axles, St, stainless



Castor Insert D30 with Flanged Wheel

m = 19.6 g	
black similar to RAL 9005, 1 pce.	0.0.620.06
signal red similar to RAL 3001, 1 pce.	0.0.627.09
signal yellow similar to RAL 1003, 1 pce.	0.0.627.10
signal green similar to RAL 6032, 1 pce.	0.0.627.11

Castor Insert D30 with Flanged Wheel ESD

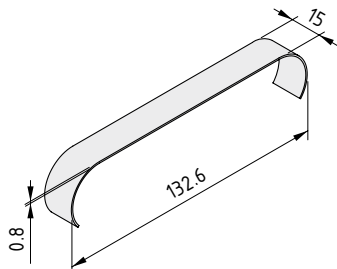


m = 21.0 g	
black similar to RAL 9005, 1 pce.	0.0.622.28



Castor Rail 8 40x40, Brake

- Slows workpieces at the desired point
- Simply pushed onto the Castor Inserts



Castor Rail 8 40x40, Brake



St, stainless
m = 20.0 g

1 pce.

0.0.619.34



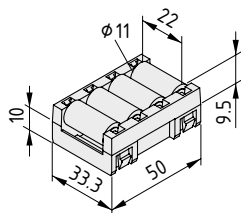
Roller Inserts 4xD11

- Tight roller spacing for smooth travel
- Also suitable for containers with awkward or irregular bases
- High load-carrying capacity



The following applies to all the products below:

4 rollers D11, PA
Housing, PA-GF, black
4 axles, St, stainless



Roller Insert 4xD11

m = 31.0 g

black similar to RAL 9005, 1 pce.

0.0.644.55

Roller Insert 4xD11 ESD



m = 30.0 g

black similar to RAL 9005, 1 pce.

0.0.648.98



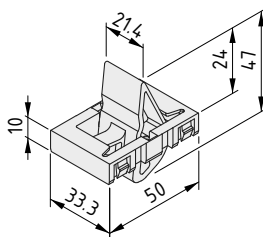
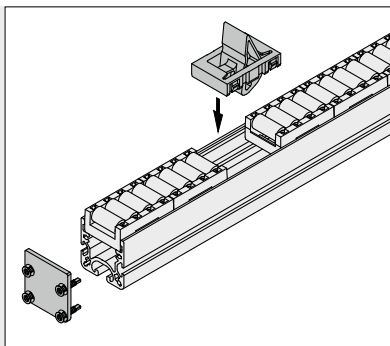
Back Stop Insert ESD

- Controls the direction of travel
- Also suitable as transport securing device on mobile solutions
- For Castor Rail 8 40x40



Back Stop Insert ESD allows containers and goods to pass in one direction only. When work benches are interlinked, including in one-piece-flow scenarios, this insert ensures that workpiece carriers and containers stick to the specified route. When used on mobile material supply equipment, the insert acts as a transport securing device.

Back Stop Insert ESD is compatible with the modular Castor Rail 8 40x40 and, like the other Inserts that are available, can also be retrofitted by simply being clipped into place – no tools required. The Back Stop is ESD-safe as standard.



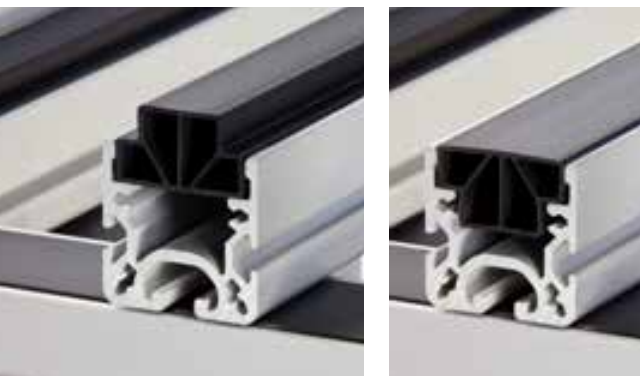
Back Stop Insert ESD

Housing, PA-GF, black
 Back Stop D4-23, PA-GF, black
 Axle, St, stainless
 m = 19.0 g

1 pce.

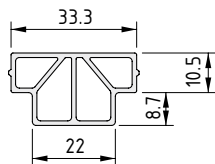
0.0.675.98





Castor Rail 8 40x40, Slide Strip ESD

- Low-wear strips for simple goods transport
- Two-level installation possible
- Made from ESD-safe plastic



Castor Rail 8 40x40, Slide Strip ESD

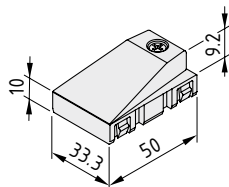


PE-HD m = 140.0 g/m	
black, cut-off max. 3000 mm	0.0.622.26
black, 1 pce., length 3000 mm	0.0.620.00



Slide Strip Wedge Insert ESD

- For a smooth transition between the two levels of the Slide Strips



Slide Strip Wedge Insert ESD



Slide Strip Wedge, PA-ESD, black Housing, PA-GF, black Button-Head Screw Z3.5x15, St, bright zinc-plated m = 20.0 g	
1 pce.	0.0.620.84



Castor Ball Insert ESD

- Move transported goods in two dimensions
- Ideal for versatile insertion and removal points

Brush Insert ESD

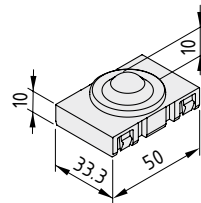
- Elastic fibres for gentle transport
- Gentle scratch protection with low friction



Move in any direction: When using Castor Ball Insert ESD, the direction of movement on containers and workpiece carriers can be altered without having to exert any force. The low-friction castor balls are ideal for designing insertion and removal points on conveyor lines or rerouting roller conveyors at an angle.

Castor Ball Insert ESD clips into Castor Rail 8. The castor balls are available without a housing in the form of a Castor Ball Set, which can be fitted to table tops, for example, so that the castor balls can be arranged in the desired spacing over an area.

When using Brush Insert ESD, goods and containers glide over gentle elastic fibres. It is used in Castor Rail 8. Brush Set ESD can be fitted directly to panel elements that connect to an interlinking conveyor line. The brushes enable movement in all directions, ensuring goods can be flexibly inserted into or removed from conveyor lines or gently placed in storage.



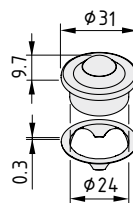
Castor Ball Insert ESD



Castor Ball D24, St
Housing, PA-GF, black
m = 50.0 g

1 pce.

0.0.620.26



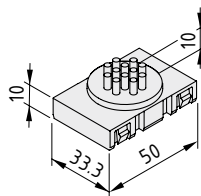
Castor Ball Set



Castor ball D24, St
Fixing clip, St, bright zinc-plated
m = 45.0 g

1 set

0.0.620.93



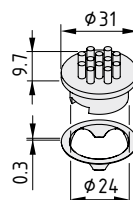
Brush Insert ESD



Brush unit ESD, PA, black
Housing, PA-GF, black
m = 18.0 g

1 pce.

0.0.622.22



Brush Set ESD



Brush unit ESD, PA, black
Fixing clip, St, bright zinc-plated
m = 8.0 g

1 set

0.0.622.24



Roller Conveyor AI, Fastening Brackets D30

- A firm hold for Castor Rail 8 40x40
- Also available with integrated stop

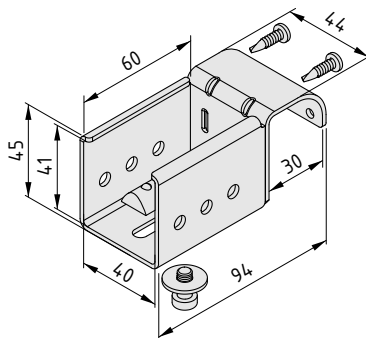


Roller Conveyor AI, Fastening Bracket D30 is the standard fastener for Roller Conveyor 8 D30. Castor Rail 8 40x40 simply slots right into place. For additional security, the fastening bracket can be screwed to the Tube D30 and Roller Conveyor.

Roller Conveyor AI, Fastening Bracket with Stop H43 also forms the terminus at the end of the line. Together with the frame, the 43 mm-high stop ensures that containers and so on are brought safely to a stop.

The design of Roller Conveyor AI, Fastening Bracket D30 with Forward Stop H43 supports short reaching distances because crates etc. come to a stop above the horizontal strut. This makes it even easier for operators to take crates off the conveyor line and thus offers an ergonomic advantage.

Roller Conveyor AI, Fastening Brackets U D30 and I D30 can also be used to build conveyor lines with a number of different gradients. Together, they form a secure transition, taking transported goods from one section to the next.



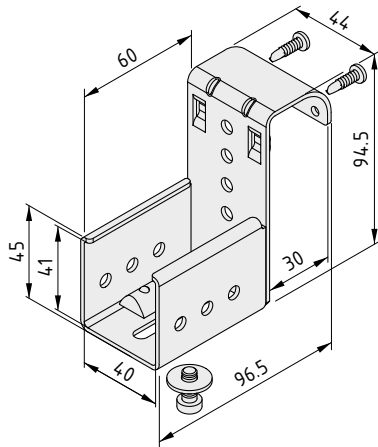
Roller Conveyor AI, Fastening Bracket D30



Fastening Bracket, St, bright zinc-plated
 2 Button-Head Screws, self-tapping 3.9x16, TX20, St, bright zinc-plated
 Hexagon Socket Head Cap Screw DIN 6912 M6x14, St, bright zinc-plated
 Washer ISO 7093-1-6-200 HV, St, bright zinc-plated
 T-Slot Nut 8 St M6, St, bright zinc-plated
 m = 200.0 g

1 set

0.0.652.48

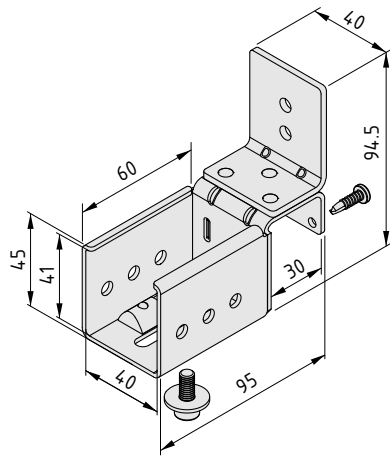


Roller Conveyor AI, Fastening Bracket D30 with Stop H43



Fastening Bracket, St, bright zinc-plated
 2 Button-Head Screws, self-tapping 3.9x16, TX20, St, bright zinc-plated
 Hexagon Socket Head Cap Screw DIN 6912 M6x14, St, bright zinc-plated
 Washer ISO 7093-1-6-200 HV, St, bright zinc-plated
 T-Slot Nut 8 St M6, St, bright zinc-plated
 m = 224.0 g

1 set 0.0.652.57

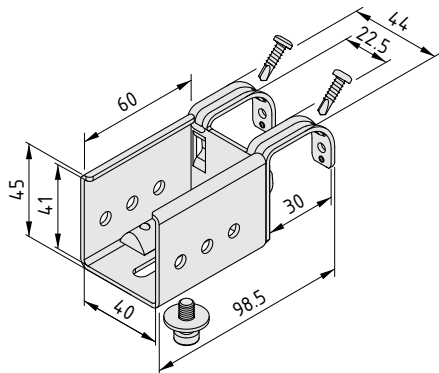


Roller Conveyor AI, Fastening Bracket D30 with Forward Stop H43



Fastening Bracket, St, bright zinc-plated
 2 Button-Head Screws, self-tapping 3.9x16, TX20, St, bright zinc-plated
 Hexagon Socket Head Cap Screw DIN 6912 M6x14, St, bright zinc-plated
 Washer ISO 7093-1-6-200 HV, St, bright zinc-plated
 T-Slot Nut 8 St M6, St, bright zinc-plated
 m = 263.0 g

1 set 0.0.662.31

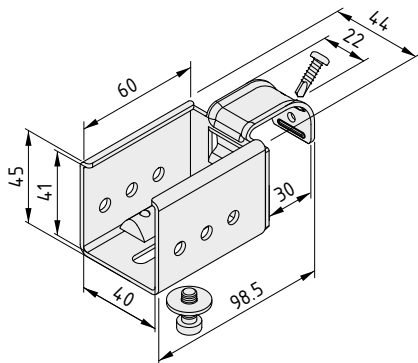


Roller Conveyor AI, Fastening Bracket U D30



Fastening Bracket, St, bright zinc-plated
 2 Button-Head Screws, self-tapping 3.9x16, TX20, St, bright zinc-plated
 Hexagon Socket Head Cap Screw DIN 6912 M6x14, St, bright zinc-plated
 Washer ISO 7093-1-6-200 HV, St, bright zinc-plated
 T-Slot Nut 8 St M6, St, bright zinc-plated
 m = 179.0 g

1 set 0.0.652.58



Roller Conveyor AI, Fastening Bracket I D30



Fastening Bracket, St, bright zinc-plated
 Button-Head Screw, self-tapping 3.9x16, TX20, St, bright zinc-plated
 Hexagon Socket Head Cap Screw DIN 6912 M6x14, St, bright zinc-plated
 Washer ISO 7093-1-6-200 HV, St, bright zinc-plated
 T-Slot Nut 8 St M6, St, bright zinc-plated
 m = 176.0 g

1 set 0.0.652.64



Note:
 Detailed information on the installation dimensions of the roller conveyors, including Fastening Brackets, can be found in the Technical Data section.



Railing Support 8/5 100x80 Railing Fastening Set 5-135°

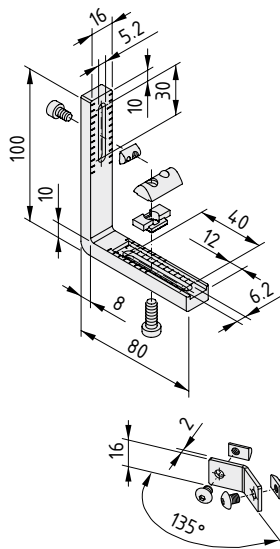
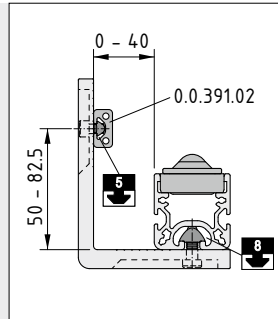
- Side guide for conveyor lines
- Customised railings made from Profiles 5
- Integrated scales for easier alignment



A railing made using Line 5 profiles gives containers and goods the lateral support they need on Roller Conveyor 8 D30. Railing Support 8/5 100x80 is fastened to the Line 8 groove of Castor Rail 8 40x40. Thanks to its wide adjustment range, the distance between the railing and the roller conveyor can be easily adjusted.

The railing itself is custom made from Line 5 profiles such as the flat Profile 5 40x10 (0.0.391.06) or Profile 5 40x10 (0.0.391.06). This means the height of the railing can be adjusted to suit requirements.

Line 5 profiles fitted at curved stretches of roller conveyor are connected together using Railing Fastening Set 5-135°. This produces a gentle transition with no sharp edges on the railing.



Railing Support 8/5 100x80



Die-cast zinc, white aluminium similar to RAL 9006

Locating lug, die-cast zinc

T-Slot Nut V 8 St M6, St, bright zinc-plated

T-Slot Nut 5 St M5, St, bright zinc-plated

Hexagon Socket Head Cap Screw DIN 7984 M6x16, St, bright zinc-plated

Hexagon Socket Head Cap Screw DIN 912 M5x8, St, bright zinc-plated

m = 135.0 g

1 set

0.0.622.20

Railing Fastening Set 5-135°



Angle Bracket 5-135°, St, stainless

2 T-Slot Nuts 5 St M5, St, bright zinc-plated

2 Button-Head Screws ISO 7380 M5x6, St, bright zinc-plated

m = 15.0 g

1 set

0.0.627.35

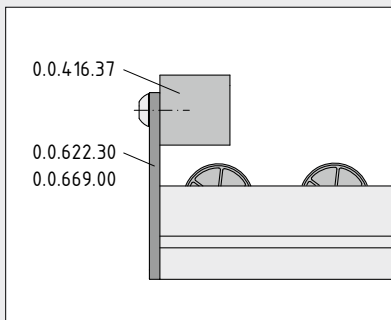


Castor Rail 8 Caps

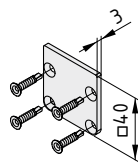
- Safely cover over cut edges
- Also available with integrated stop

The perfect end to Castor Rails 6 and 8, a secure hold for Roller Tracks and protection against injuries. While the 40 mm high Cap seals a Castor Rail neatly, the taller version (height of 80 mm) also acts as a stop. They also feature a slot that can be used to affix an Impact Buffer.

The Cap is fixed to the Castor Rail easily, using self-tapping screws.



If required, you can terminate the Castor Rail by fitting an Impact Buffer (see Comprehensive Catalogue for MB Building Kit System) to the Cap.

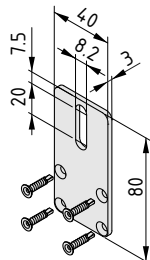


Castor Rail 8 Cap 40x40

St, bright zinc-plated, black
 4 Countersunk Screws self-tapping 3.9x19, TX20, St, bright zinc-plated
 m = 60.0 g

1 set

0.0.622.29

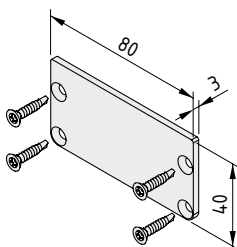


Castor Rail 8 Cap 80x40

St, bright zinc-plated, black
 4 Countersunk Screws self-tapping 3.9x19, TX20, St, bright zinc-plated
 m = 102.0 g

1 set

0.0.622.30

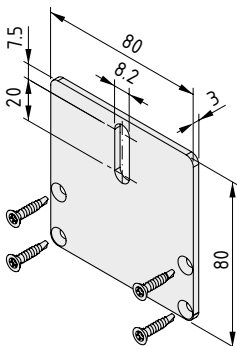


Castor Rail 80x40, Cap 80x40

St, bright zinc-plated, black
 4 Countersunk Screws self-tapping 3.9x19, TX20, St, bright zinc-plated
 m = 78.0 g

1 set

0.0.668.99



Castor Rail 80x40, Cap 80x80

St, bright zinc-plated, black
 4 Countersunk Screws self-tapping 3.9x19, TX20, St, bright zinc-plated
 m = 148.0 g

1 set

0.0.669.00



Conveyor Rollers TR30

- Easy-running bearings permit the smallest conveying angles
- Aluminium or plastic rollers
- Lines in custom widths and lengths



Plan conveyor lines to suit requirements, install them on site quickly and modify them whenever necessary! The item solution for transport roller conveyors ensures you can make the most of all the benefits offered by the Lean Production Building Kit System to get crates and goods from A to B easily.

The solution is based on Bearing Block D30 100 D5-33 and Conveyor Roller TR30, Bearing Flange D27/D5. The Bearing Block clips directly onto a Profile Tube D30 without requiring any tools and can be used to install up to three Conveyor Rollers. The Bearing Flange transforms any Tube D30 (0.0.628.56) into a conveyor roller. As a result, using just a small number of parts, you can build transport roller conveyors in custom lengths and widths for a whole range of moving goods – and all in a very short space of time.

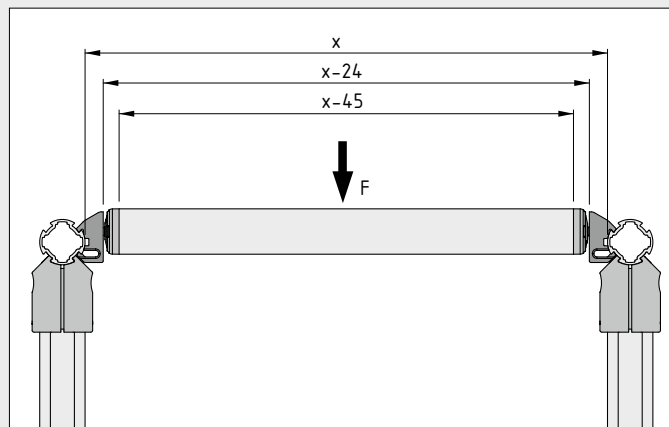
The stable Bearing Block does not need to be screwed into place – except when working with the ESD-safe Conveyor Roller TR30, Bearing Flange D27/D5 ESD, because the screw in the Bearing Block for this configuration creates the conductive contact with the Tube.

Conveyor Roller TR30, Bearing Flange D27/D5 features a high load-carrying capacity and a very smooth running action. Two robust deep groove steel ball bearings ensure a long service life. The Bearing Flange is simply pressed into the Tube D30. The stable aluminium tube exhibits low profile deflection and is ideal for building wide roller conveyors.

For gentle, scratch-free transport, conveyor rollers can be made from plastic Tube D30x1.8 KU. Due to the thicker walls that are necessary on a plastic tube, Conveyor Roller TR30, Bearing Flange D26.4/D5 has to be used.



Tip: Assembly Tool D30/D5.2-30 (0.0.701.80) should be used to ensure the axles of the Bearing Flanges are not damaged during assembly. The Tool's aluminium bushings ensure a hammer can be used for assembly without causing damage, helping to press the housing into the profile evenly.

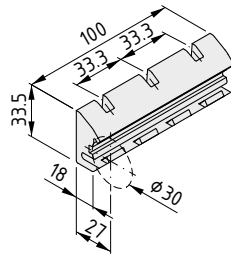
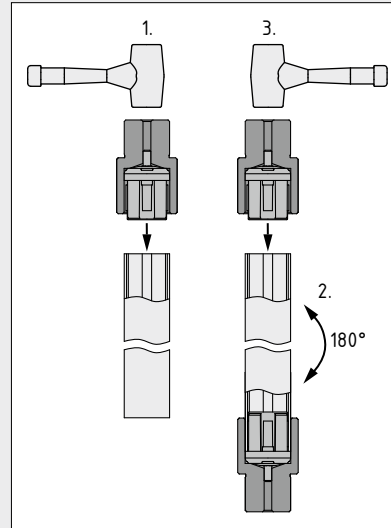
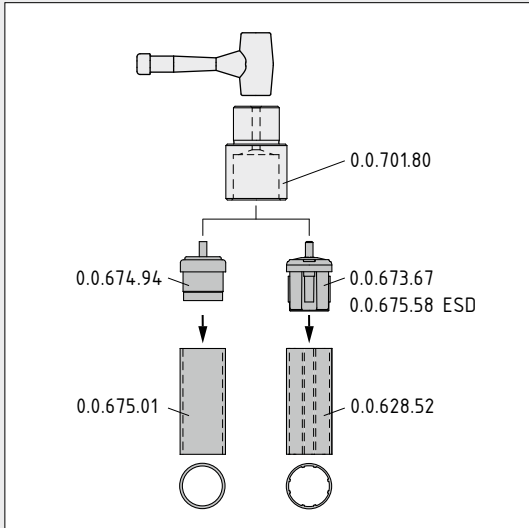


X_{max} Al = 600 mm
 X_{min} Al = 55 mm
 F_{max} Al = 100 N

X_{max} KU = 400 mm
 X_{min} KU = 55 mm
 F_{max} KU = 50 N

Due to the difference in wall thickness between Tubes D30 made of aluminium and plastic, it is essential to use the appropriate Bearing Flange. Both variants use the same Bearing Blocks. ESD-safe conveyor lines can only be built using Conveyor Rollers made of aluminium.

Tube D30 (0.0.628.56)		Tube D30x1,8 KU (0.0.675.02)	
0.0.673.67 0.0.675.58	0.0.671.52 0.0.671.99	0.0.674.94	0.0.671.52



Bearing Block D30 100 D5-33

PA-GF
m = 31.0 g

grey similar to RAL 7042, 1 pce.

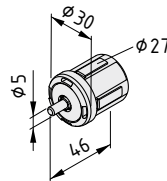
0.0.671.52

Bearing Block D30 100 D5-33 ESD

PA-GF, ESD
m = 33.0 g

black similar to RAL 9005, 1 pce.

0.0.671.99



Conveyor Roller TR30, Bearing Flange D27/D5

PA-GB
m = 62.0 g

grey similar to RAL 7042, 1 pce.

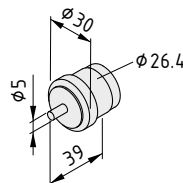
0.0.673.67

Conveyor Roller TR30, Bearing Flange D27/D5 ESD

PA-GB, ESD
m = 32.0 g

black similar to RAL 9005, 1 pce.

0.0.675.58



Conveyor Roller TR30, Bearing Flange D26.4/D5

PA
m = 16.0 g

grey similar to RAL 7042, 1 pce.

0.0.674.94

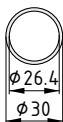


Tube D30



Al, anodized

A [cm ²]	m [kg/m]	I _x [cm ⁴]	I _y [cm ⁴]	I _z [cm ⁴]	W _x [cm ³]	W _y [cm ³]
1.26	0.34	1.29	1.29	2.44	0.86	0.86
natural, cut-off max. 6000 mm						0.0.628.56
natural, 1 pce., length 6000 mm						0.0.628.52
natural, 1 pce., length 4000 mm						0.0.685.05
natural, 1 pce., length 3000 mm						0.0.678.19



Tube D30x1.8 KU

PVC

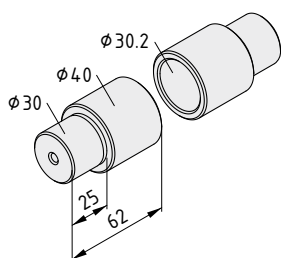
A [cm ²]	m [kg/m]	I _x [cm ⁴]	I _y [cm ⁴]	I _z [cm ⁴]	W _x [cm ³]	W _y [cm ³]
1.59	0.22	1.59	1.59	3.18	1.06	1.06
grey similar to RAL 7042, cut-off max. 6000 mm						0.0.675.02
grey similar to RAL 7042, 1 pce., length 6000 mm						0.0.675.01



Assembly Tool D30/D5.2-30

Careful assembly! Assembly Tool D30/D5.2-30 is a practical aid for building conveyor lines with item Conveyor Rollers TR30. The robust aluminium bushing is used to press Bearing Flange D27/D5 (0.0.673.67) carefully and evenly into Tube D30.

The Assembly Tool covers over the axle of the Bearing Flange so that a hammer can be used to install it in a Tube D30x1.8 KU (0.0.675.01) made of plastic or a Tube D30 (0.0.628.52) made of aluminium. The set contains two aluminium bushings to protect the axles on both sides.



Assembly Tool D30/D5.2-30



Al
m = 222.0 g

1 set	0.0.701.80
-------	------------



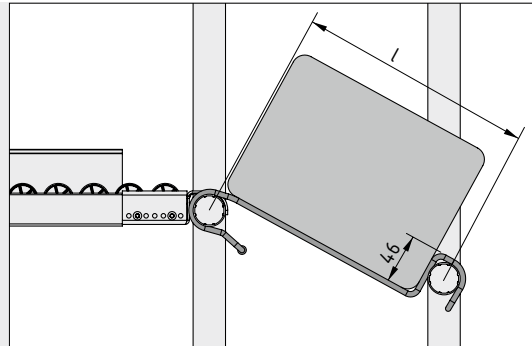
Slide Link D30

- Simple container provision with stop
- Installed quickly on all (Profile) Tubes D30
- Fits around Roller Conveyor Fastening Brackets up to 40 mm wide

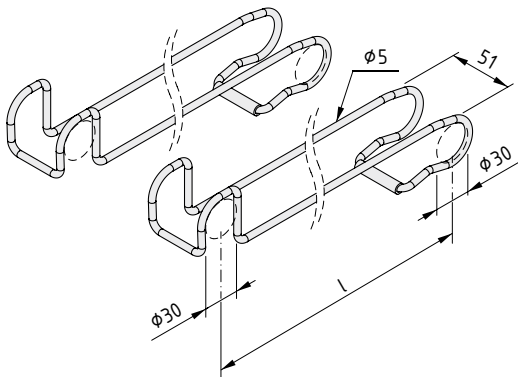


Getting containers close to hand really can be this easy: As they reach the end of the conveyor line, small load carriers glide over Slide Links D30 on the last stretch and are securely held in place by the integrated stop. These steel elements are available to suit containers with a depth of 200, 300 or 400 mm in the direction of travel.

Slide Links D30 are incredibly easy to install. They are simply hung between two (profile) tubes. The top end can be fitted over Roller Conveyor Fastening Brackets that are 40 mm wide and have already been screwed into place. This means they can also be used to retrofit an angled removal point.



The length of the Slide Links has been matched to the dimensions of transport boxes. An additional section of tubing secures the top ends of the wire against lateral movement.



Slide Link D30 220



2 Slide Links 220, St, stainless
2 tubing cut-offs, CR, black
l = 220 mm
m = 280.0 g

1 set

0.0.658.77

Slide Link D30 330



2 Slide Links 330, St, stainless
2 tubing cut-offs, CR, black
l = 330 mm
m = 348.0 g

1 set

0.0.658.76

Slide Link D30 440



2 Slide Links 440, St, stainless
2 tubing cut-offs, CR, black
l = 440 mm
m = 416.0 g

1 set

0.0.658.75



Slide Strips D30

- Low-friction transport of containers and goods
- Also suitable as coloured marking
- Simple to install and remove

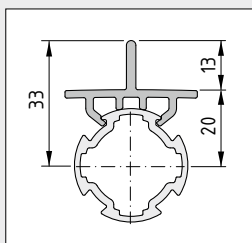
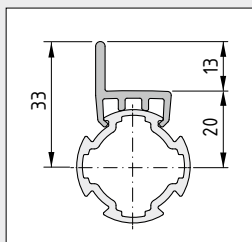
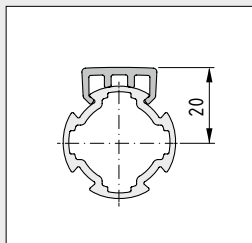


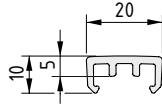
Always stay on track! Slide Strips D30 convert any Profile Tube D30 into a conveyor line. Containers are simply slid over the low-friction strips. The plastic is abrasion resistant and doesn't leave any marks.

item Slide Strips D30 are simply clipped onto a Profile Tube D30 or Profile 6 D30. Seven colours are available, which means Slide Strips can also be used as a visual management tool. For example, colours can be used to indicate what is being carried on a transport trolley. Workers can tell at a glance where rejects need to go and where finished products belong.

The ridge running along the side of Slide Strip D30 with Side Guide H13 ensures that transport containers stay on track. It can also be used to hold in place panel elements at the side, creating a frame into which the panels can be laid. Slide Strip D30 with Side Guide H13 c has a ridge running down its centre and is designed for creating parallel conveyor lines. It helps to reduce the number of support profiles and fastenings needed to build these solutions.

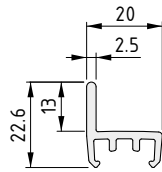
Slide Strips D30 are also available in ESD-safe versions to protect sensitive goods and staff.





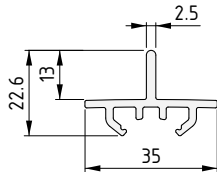
Slide Strip D30	
PE-HD m = 74.5 g/m	
grey similar to RAL 7042, 1 pce., length 2000 mm	0.0.634.42
red similar to RAL 3020, 1 pce., length 2000 mm	0.0.689.47
yellow similar to RAL 1021, 1 pce., length 2000 mm	0.0.689.49
green similar to RAL 6024, 1 pce., length 2000 mm	0.0.689.51
blue similar to RAL 5017, 1 pce., length 2000 mm	0.0.689.53
orange similar to RAL 2011, 1 pce., length 2000 mm	0.0.689.55

Slide Strip D30 ESD	
PE-HD, ESD m = 81.0 g/m	
black similar to RAL 9005, 1 pce., length 2000 mm	0.0.634.55



Slide Strip D30 with Side Guide H13	
PE-HD m = 97.0 g/m	
grey similar to RAL 7042, 1 pce., length 2000 mm	0.0.671.30

Slide Strip D30 with Side Guide H13 ESD	
PE-HD, ESD m = 129.0 g/m	
black similar to RAL 9005, 1 pce., length 2000 mm	0.0.671.33



Slide Strip D30 with Side Guide H13 c	
PE-HD m = 130.0 g/m	
grey similar to RAL 7042, 1 pce., length 2000 mm	0.0.692.45

Slide Strip D30 with Side Guide H13 c ESD	
PE-HD, ESD m = 148.0 g/m	
black similar to RAL 9005, 1 pce., length 2000 mm	0.0.692.51





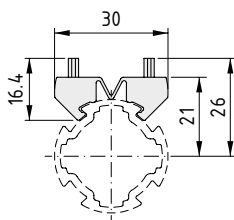
Brush Strips D30

- A gentle hold for sensitive components
- Two designs



Smooth but firm: Brushes made of PVC are stable enough to keep parts on track but soft enough to be gentle on sensitive surfaces.

Brush Strips D30 simply clip onto a Profile Tube D30. Two versions are available: Brush Strip D30 T1 has two parallel rows of brush that project vertically up and is also available in an ESD-safe design. Brush Strip D30 T2 ESD has two rows of brush that project out to the side and is ESD-safe as standard.



Brush Strip D30 T1

PVC
m = 143.0 g/m

grey similar to RAL 7042, 1 pce., length 500 mm

0.0.653.01

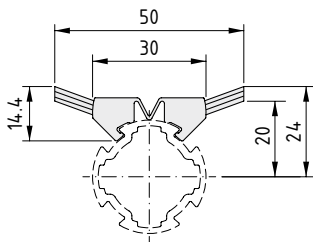
Brush Strip D30 T1 ESD



PVC, ESD
m = 147.0 g/m

black similar to RAL 9005, 1 pce., length 500 mm

0.0.654.66



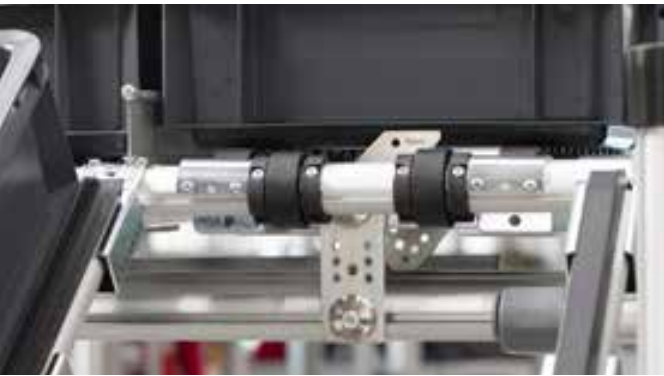
Brush Strip D30 T2 ESD



PVC, ESD
m = 155.0 g/m

black similar to RAL 9005, 1 pce., length 500 mm

0.0.654.64



Roller D46/D30-20 Fastening Ring D40/D30-10

- Rotate around (Profile) Tubes D30
- Can be installed vertically and horizontally
- Fastening Rings maintain positioning



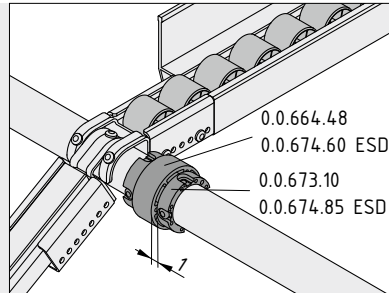
The tube roller! Roller D46/D30-20 uses a Profile D30 as an axle and thus supports all sorts of movements. Because the Roller has the same conveying height as the item roller conveyors, it can also support the transitions on conveyor lines with different gradients. This ensures a more gentle and dependable run and protects both the frame and the transported goods.

Roller D46/D30-20 rotates freely on a Tube D30 or Profile Tube D30. Several Rollers can be used alongside each other to create a broader rolling surface.

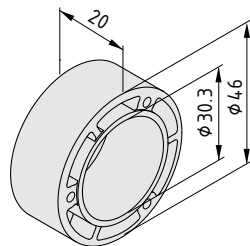
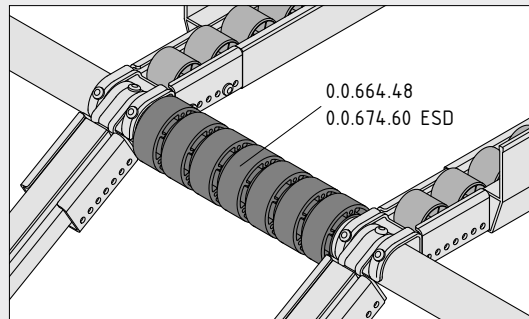
Made from impact-resistant PA, the Roller requires no maintenance or lubrication.

Fastening Ring D40/D30-10 can be used to restrict the lateral play of Roller D46/D30-20. Two self-tapping screws ensure a secure hold. Thanks to the Fastening Ring, the Roller can also be used vertically to provide side guidance.

Tip: The Fastening Ring can also be used to stop Roller D46/D30-20 grinding against the Roller Conveyor Fastening Bracket, which would result in an uneven rolling motion.



Rollers D46/D30-20 and Fastening Rings D40/D30-10 must be pushed onto the (Profile) Tube D30 before the tube is fitted into place.



Roller D46/D30-20

PA
m = 12.0 g

grey similar to RAL 7042, 1 pce.

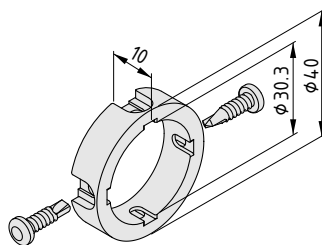
0.0.664.48

Roller D46/D30-20 ESD

PA-ESD
m = 13.0 g

black similar to RAL 9005, 1 pce.

0.0.674.60



Fastening Ring D40/D30-10

Fastening Ring D40/D30-10, PA, grey
2 Button-Head Screws, self-tapping, 3.9x16, TX20, St, bright zinc-plated
m = 6.0 g

1 set

0.0.673.10

Fastening Ring D40/D30-10 ESD

Fastening Ring D40/D30-10 ESD, PA, black
2 Button-Head Screws self-tapping 3.9x16, TX20, St, bright zinc-plated
m = 6.0 g

1 set

0.0.674.85





Drawbars D25-686

- Suitable for high trailer loads
- For building complete tugger trains
- Ergonomic self-lifting mechanism available



From a trolley to a train! item Drawbars link transport trolleys together or can form a connection with a tugger.

Drawbar D25-686, Self-Lifting is particularly ergonomic and back-friendly. Its integrated spring constantly pushes the Drawbar up, which means users can conveniently couple and uncouple trolleys by foot. If the Drawbar is not needed, it folds up, thereby eliminating any trip hazard.

Drawbar D25-686, which does not have a spring-loaded self-lifting mechanism, can be held in place using Drawbar Locking Lever 38. When lowering the Drawbar, the optional Drawbar Stop 32 ensures it does not drop to the floor and stops users pressing it too far down with their foot.

Drawbar Coupling D25-74 is the connection point for the Drawbars. The Coupling should be installed with the pin pointing down when using the self-lifting Drawbar. When no self-lifting mechanism is being used, the pin should be pointing up.



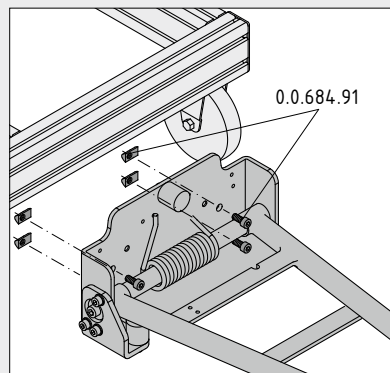
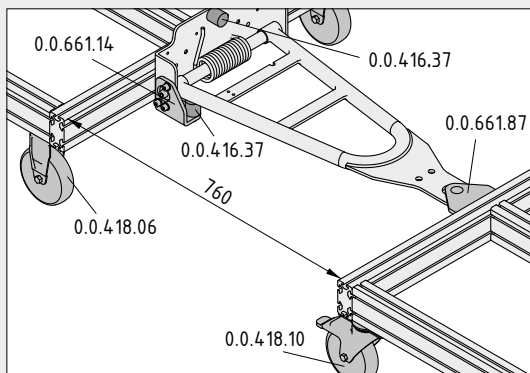
The spring on Drawbar D25-686, Self-Lifting pushes the Drawbar into a vertical position. When uncoupled, the Drawbar rests against the frame in a space-saving arrangement.

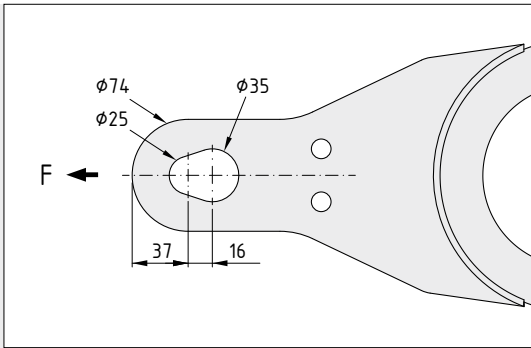


Drawbar Locking Lever 38 keeps coupling elements neat and safe. It holds the Drawbar securely in a vertical position, which is particularly advisable when using the version without a self-lifting mechanism. The foot-operated lever ensures the locking lever can be released without having to stoop down.

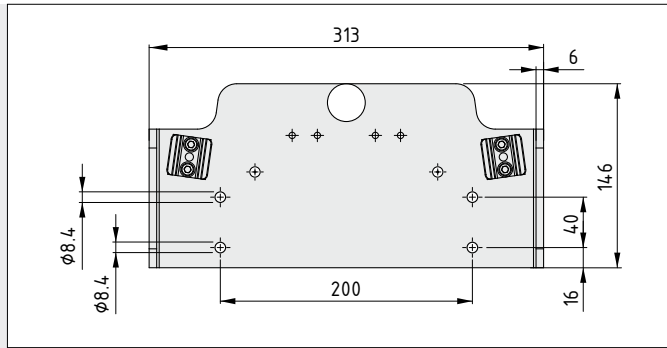


To couple and uncouple Drawbar D25-686, Self-Lifting, the operators use their foot to press down on the Drawbar, which is kinder on their back. A spring lifts the Drawbar up, ensuring that it is securely held against Drawbar Coupling D25-74, which features a downward-pointing pin.

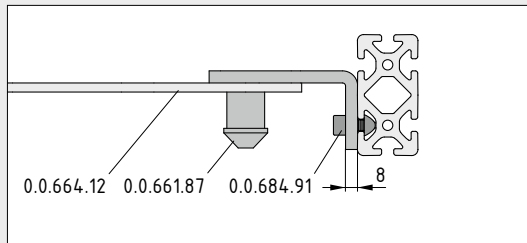
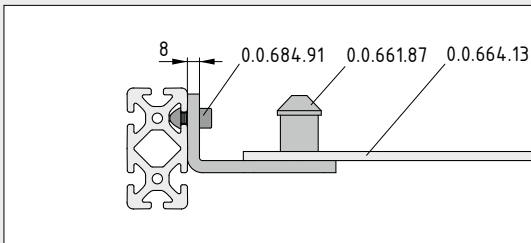




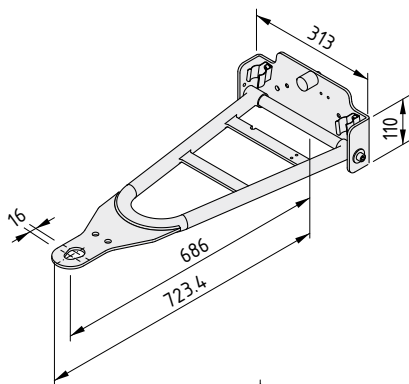
Rated tensile force in continuous operation = 6000 N
 Maximum rated trailer load in continuous operation = 6 t



Fastening dimensions for Drawbar D25-686 and Drawbar D25-686, Self-Lifting



The pin of Drawbar Coupling D25-74 (0.0.661.87) should be pointing up when using Drawbar D25-686 (0.0.664.13). By contrast, when using Drawbar D25-686, Self-Lifting (0.0.664.12), the pin should be installed pointing down. The Coupling is fitted to the 80 mm-high Line 8 profile of the load-carrying frame using the groove indicated above and two Fastening Sets 8 6-8mm with Hexagon Socket Head Cap Screw M8 (0.0.684.91).



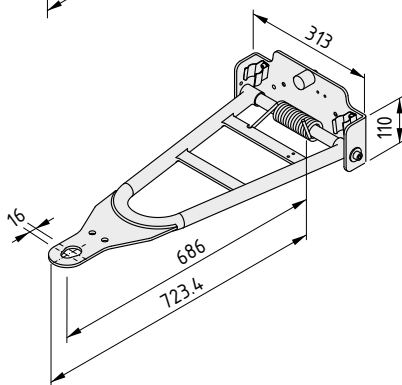
Drawbar D25-686



Preassembled
 Drawbar D25-650, St, bright zinc-plated
 Impact Buffer M8 D30x30, NBR
 Spring clip set D30, St, stainless
 m = 8.5 kg

1 set

0.0.664.13



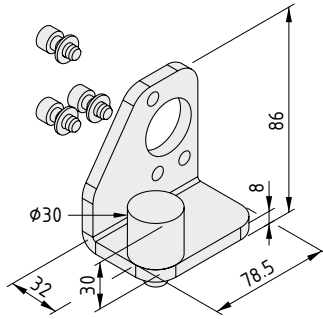
Drawbar D25-686, Self-Lifting



Preassembled
 Drawbar D25-650, St, bright zinc-plated
 Impact Buffer M8 D30x30, NBR
 Spring clip set D30, St, stainless
 Torsion spring 6.5x52, St, stainless
 m = 8.9 kg

1 set

0.0.664.12

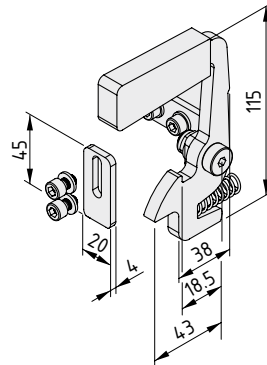


Drawbar Stop 32



Drawbar, angled stop, St, bright zinc-plated
Impact Buffer M8 D30x30, NBR
Fastening elements, St, bright zinc-plated
m = 674.0 g

1 set 0.0.661.14

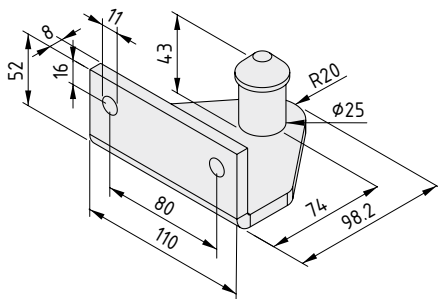


Drawbar Locking Lever 38



Locking lever 23-1, St, bright zinc-plated
Bracket 46x20, St, bright zinc-plated
Fastening elements, St, bright zinc-plated
m = 382.0 g

1 set 0.0.660.96



Drawbar Coupling D25-74



St, bright zinc-plated
m = 934.0 g

1 pce. 0.0.661.87



Fastening Set 8 6-8mm with Hexagon Socket Head Cap Screw M8



Hexagon Socket Head Cap Screw DIN 912-M8x18, St, bright zinc-plated
T-Slot Nut 8 St M8, St, bright zinc-plated
m = 20.0 g

1 set 0.0.684.91



Note:

Four Fastening Sets 8 6-8mm with Hexagon Socket Head Cap Screw M8 (0.0.684.91) are needed to install Drawbars D25-686 to the load-bearing frame and two Fastening Sets are required to install Coupling D25-74.



Drawbar D25-610

- Low dead weight
- Ergonomic self-lifting mechanism
- For lightweight transport trolleys



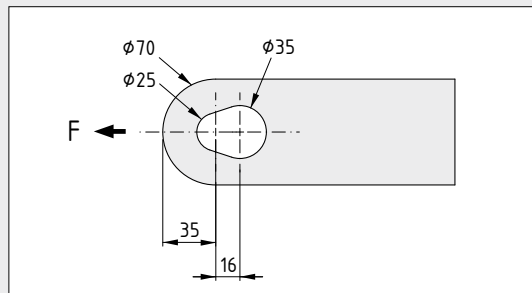
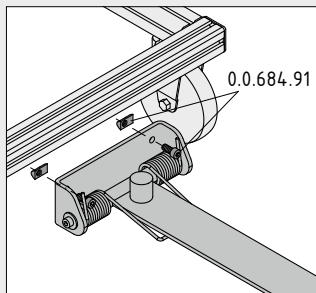
The easier way to pull lightweight trolleys! Thanks to its low dead weight, Drawbar D25-610 is ideal for transport trolleys and tugger trains that are also light in weight.

The ergonomic self-lifting mechanism on Drawbar D25-610 is easy on the back. Its integrated spring pushes the Drawbar up, which means users can couple and uncouple trolleys using their feet and without having to bend over. If the Drawbar is not needed, it folds up automatically so that it doesn't present a trip hazard.

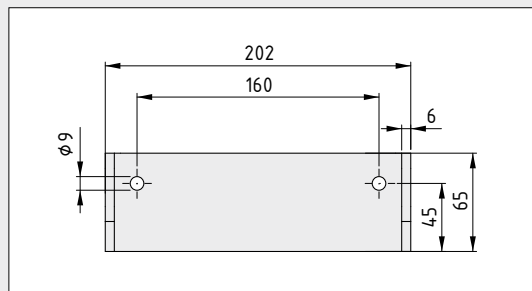
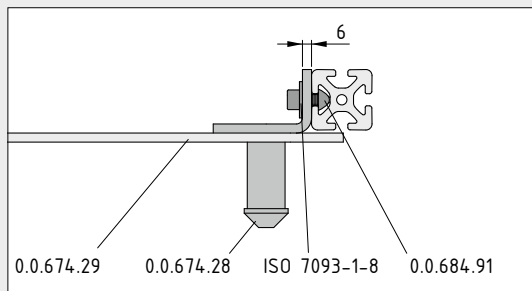


Drawbar D25-610 connects to Drawbar Coupling D25-30. The pin of the Coupling should be pointing down.

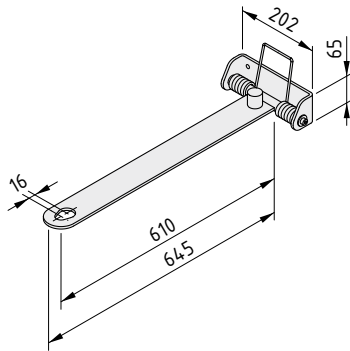
Important: Ensure the correct combination of Drawbar and Coupling are used. Drawbar Coupling D25-74 cannot be used, because the pin is located at a different working height.



Rated tensile force in continuous operation = 3000 N
Maximum rated trailer load in continuous operation = 3 t



Connection dimensions for Drawbar D25-610

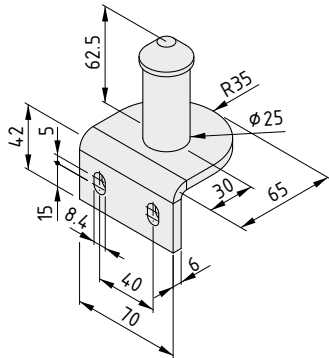


Drawbar D25-610



Preassembled
 Drawbar D25-610, St, bright zinc-plated
 Impact Buffer M8 D30x30, NBR
 Double torsion spring D32x4-70, St, stainless
 m = 3.6 kg

1 pce. 0.0.674.29



Drawbar Coupling D25-30



St, bright zinc-plated
 m = 514.0 g

1 pce. 0.0.674.28



Fastening Set 8 6-8mm with Hexagon Socket Head Cap Screw M8



Hexagon Socket Head Cap Screw DIN 912-M8x18, St, bright zinc-plated
 T-Slot Nut 8 St M8, St, bright zinc-plated
 m = 20.0 g

1 set 0.0.684.91



Note:

Two Fastening Sets 8 6-8mm with Hexagon Socket Head Cap Screw M8 (0.0.684.91) are needed to install Drawbars D25-610 to the load-bearing frame and two Fastening Sets are required to install Coupling D25-30. Please note that two Washers ISO 7093-1-8-200 HV are also needed to fasten the Coupling.



Handle D30 KH 300

- Ergonomic and standard-compliant
- Secured against twisting
- Pleasant to grip

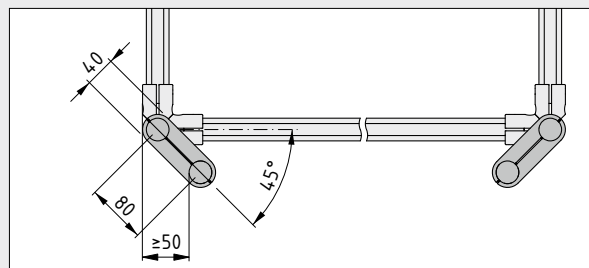
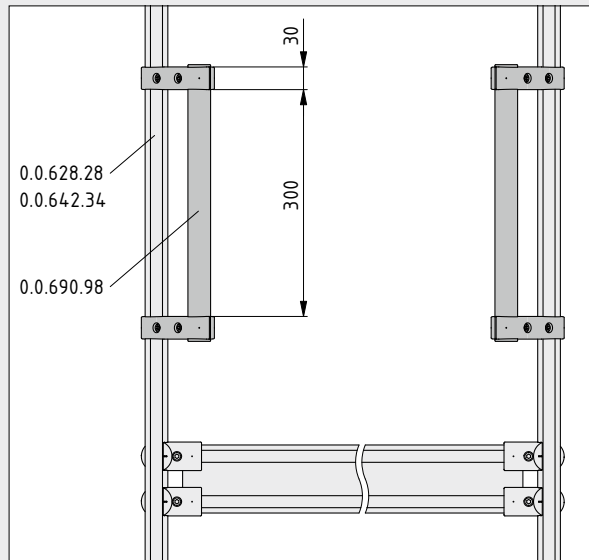
Ideal for keeping it all in hand! Handle D30 KH 300 comes with everything you need to fit a standard-compliant handle to a transport trolley made from Profile Tubes D30.

The set contains two Parallel Clamps D30-80 and a 360 mm length of Tube KH D30x11.6, which is made of a 70 percent wood composite material that feels more comfortable in the hand than metal.

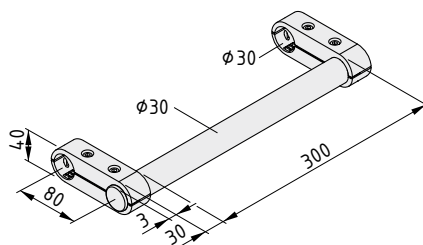
The length and orientation of the Handle have been designed in line with the DIN EN 1757-3 standard for manually operated industrial trucks and trolleys. The Parallel Clamps automatically position the Handle so that it is turned in slightly. This creates a gap between the Handle and the outside edge so that user's hands aren't injured when pushing a trolley alongside a wall, for instance.

The Handle must be fitted to a Profile Tube D30 or Profile Tube D30 heavy duty because the grooves ensure it is correctly oriented and prevent twisting. To increase the torsion resistance of the Profile Tubes, it is advisable to use Fastener D30 T1, which has an especially robust anti-torsion feature made of aluminium.

Note: If the grip part of the handle needs to be aluminium, a Tube D30 can also be used.



Parallel Clamp D30-80 44



Handle D30 KH 300

2 parallel Clamps D30-80, die-cast Al, natural
 Tube KH D30x11.6, 360 mm, anthracite, Wood-PP
 2 Caps KH D30, PA-GB, black
 m = 685.0 g

1 set

0.0.690.98



Low-cost automation – the mechanical solution

Low-cost automation (LCA) relieves strain on workers and boosts productivity without requiring complex control systems or drives. For example, connecting together processes with a little skill enables you to combine loading and unloading procedures. Karakuri/LCA applications speed up workflows and help staff avoid tiring physical labour such as lifting crates.

Let gravity do the work for you! Low-cost automation uses lever principles and integrates moving elements into the frame. Profile Tube System D30 makes applications like these particularly easy to achieve.

Low-cost automation with the Lean Production Building Kit System uses a small number of components to deliver a

clear improvement in manual activities. Several processes in assembly and intralogistics operations benefit from this approach. When combined with item roller conveyors, complete shooter solutions can be built that release containers as soon as the transport trolley arrives in the correct position.

Karakuri/LCA applications created using Profile Tube System D30 can also be combined easily with the ergonomic item Work Bench System. This means, for example, that work benches can be equipped with material supply systems that use leverage to lift a full transport container to an optimum ergonomic reaching height while simultaneously returning an empty container.



Never miss a thing!

Lean production made easy: Training courses by item and the online portfolio of the item Academy teach basic principles and innovative methods. You can find the right training for your needs online, at: item24.de/en/trainings

Products in this section



Plain Bearing Sleeve D40/D30

- Preassembled Plain Bearing
- Moves along a profile
- With rotation or torsion-resistant

196



Plain Bearing Sleeve D40/D30 ESD

- For making plain bearings in custom lengths
- For Profile Tube D40/D30

196



Locking Rings D30

- Secure the position of a Plain Bearing D40/D30
- Secure hold

196



Telescope Clamp D40/D30

- For pull-out profiles
- Easy length adjustment
- Clamp lever for firm hold

198



Pivot Bearing Set D30 Double Pivot Bearing Unit

- Rotating fixing for (Profile) Tubes D30
- Precise and reliable

199



Bearing Block 8 80x80-50

- Robust rotating bearing
- Rotational dampers for adjustable braking torque

201



Rotational Damper Sets 8Nm

- Dampen rotary motion
- Scalable braking torque
- Secure under exposure to load changes

201



Roller Set 8 D30-30 ESD

- Uses profile frames as guidance for rollers
- Excellent reliability for moving components

203



Shock Absorber D30-110 15, adjustable

- Prevents severe impacts between moving assemblies
- Adjustable damping action

205



Weights 0.5kg and 1.25kg

- Counterweights for resetting
- Fit on Profiles D30

207



Cable components

- For synthetic fibre and steel cables
- Pulley Wheels, Springs, Ring Bolts and accessories

208



Rotary Latch System D9.5-120x30

- For holding and actuating hatches and lifts
- Low engagement force during resetting

211



Bowden cable components

- For actuating assemblies
- All essential components such as Bowden Cables and a Manual Trigger

213



Braking Roller Set D52

- Ensures assemblies move smoothly
- Balances out differences in weight

215



Tool Balancers with synthetic fibre cable

- For Karakuri/LCA applications
- Low-friction routing

216

**Release Unit D30**

- Releases / blocks conveyor sections
- Purely mechanical solution

218

**Roller D39.5-25**

- Guides moving components
- Robust, ball-bearing roller

222



Plain Bearing D40/D30-50 ESD Locking Ring D30 Locking Ring D30 with Clamp Lever

- Enable rotation and movements along a profile
- Also available in torsion-resistant version
- Extremely space-saving solution

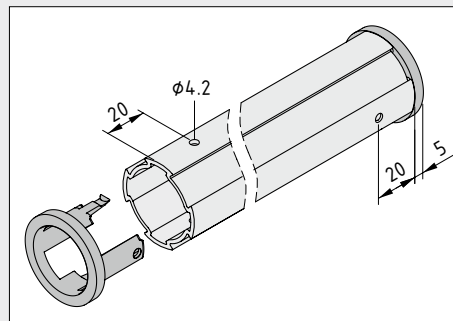


Turning on a pin: item Plain Bearing Sleeves are the basis for low-cost automation (LCA). They enable the low-friction movement of a Profile Tube D40/D30 on a load-bearing D30 profile. Karakuri/LCA solutions created using the Lean Production Building Kit System require very little installation space because the moving components can simply be built into the frame. Plain Bearing Sleeves D40/D30 ESD are maintenance free and low friction.

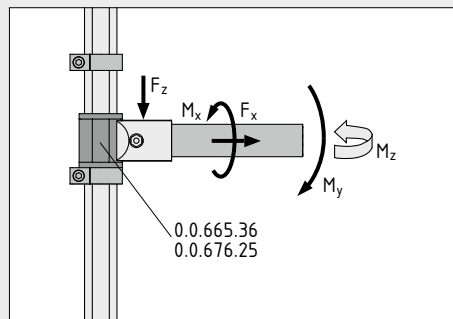
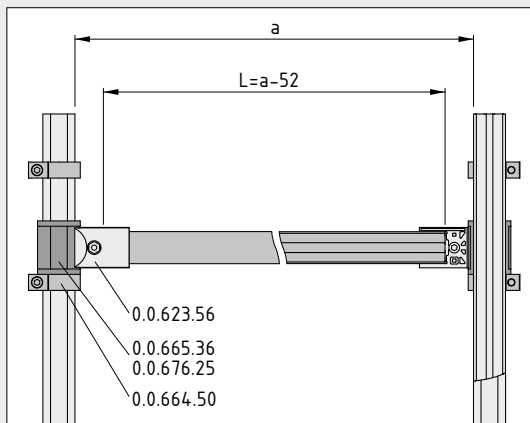
Two versions are available: Plain Bearing Sleeve D40/D30 ESD facilitates rotation and movement along the guide profile. If rotation is not desirable, Plain Bearing Sleeves D40/D30 ESD with anti-torsion feature can be used to guide the Profile Tube D40/D30 precisely along a Profile Tube D30 or Profile 6 D30. These Plain Bearing Sleeves use the grooves to prevent rotation, which makes it easier to guide counterweights, for example.

Preassembled Plain Bearing D40/D30-50 ESD and Plain Bearing D40/D30-50 ESD with anti-torsion feature offer particularly convenient solutions. These sets consist of two Plain Bearing Sleeves and a Profile Tube D40/D30. The tabs on the Plain Bearing Sleeves engage with each other, locking together. The Plain Bearings are supplied ready for use and have an overall width of 50 mm.

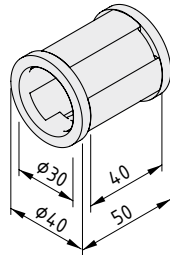
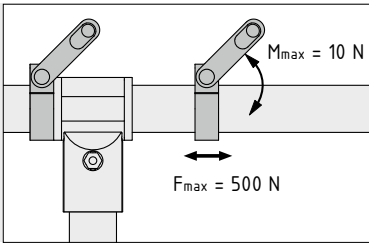
Locking Ring D30 fixes and limits the position of Plain Bearing D40/D30 along its axis. Locking Ring D30 with Clamp Lever is an especially convenient option and can be used as a rapidly adjustable stop. This offers a simple means of modifying the travel of plain bearings. Weights can also be fixed in place or released with a flick of the wrist.



When building custom plain bearings in lengths of over 50 mm, four holes need to be drilled in the Profile Tube D40/D30 (0.0.666.63) to accommodate the tabs on the Plain Bearing Sleeves.



$F_x = 50 \text{ N}$
 $F_z = 500 \text{ N}$
 $M_x = 5 \text{ Nm}$
 $M_y = 5 \text{ Nm}$
 $M_z = 0 \text{ Nm (0.0.665.36)}$
 $M_z = 5 \text{ Nm (0.0.676.25)}$

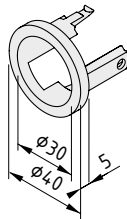


Plain Bearing D40/D30-50 ESD



Preassembled
2 Plain Bearing Sleeves D40/D30 ESD
Profile Tube D40/D30, 40 mm, Al, anodized
m = 38.0 g

1 pce. 0.0.665.36

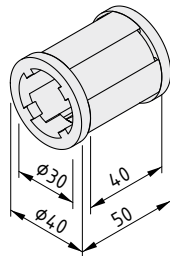


Plain Bearing Sleeve D40/D30 ESD



POM, ESD
m = 6.0 g

black similar to RAL 9005, 1 pce. 0.0.665.63

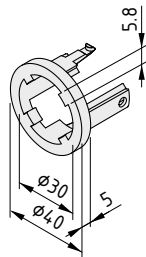


Plain Bearing D40/D30-50 ESD with anti-torsion feature



Preassembled
2 Plain Bearing Sleeves D40/D30 ESD
Profile Tube D40/D30, 40 mm, Al, anodized
m = 40.0 g

1 pce. 0.0.676.25

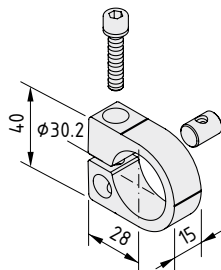


Plain Bearing Sleeve D40/D30 ESD with anti-torsion feature



POM, ESD
m = 7.0 g

black similar to RAL 9005, 1 pce. 0.0.676.03

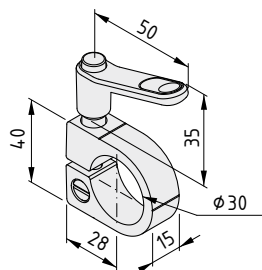


Locking Ring D30



Preassembled
Locking Ring D30 profile, Al
Threaded cross dowel M6, St, bright zinc-plated
Hexagon Socket Head Cap Screw similar to DIN 912 M6x29.4, St, bright zinc-plated
m = 50.0 g

1 pce. 0.0.664.50



Locking Ring D30 with Clamp Lever

Preassembled
Locking Ring D30 profile, Al
Threaded cross dowel M6, St, bright zinc-plated
Clamp Lever Pi 50 M6x40
Spacer sleeve D9.5/6.4-12, St, bright zinc-plated
m = 130.0 g

1 pce. 0.0.692.29



Telescope Clamp D40/D30

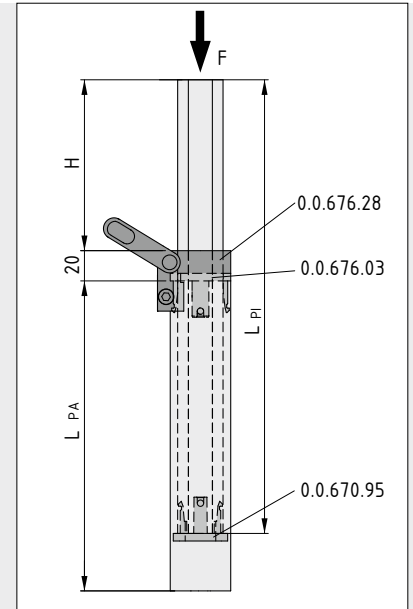
- For pull-out profiles
- Easy length adjustment
- Clamp lever for firm hold



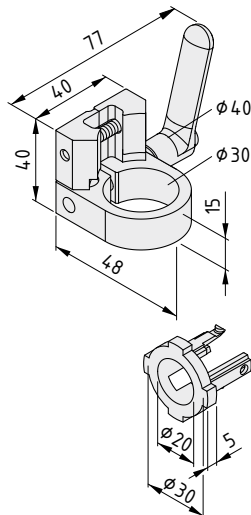
The specialist solution for finding the perfect spacing: Telescope Clamp D40/D30 fixes the internal Profile Tube D30 of a telescope at the desired position. This enables users to adjust the height or gradient of accessories. Telescopic solutions can also be used to build fold-away elements.

Thanks to the clamp lever, the length of the telescope can be altered at any time, with no need for tools.

Plain Bearing Sleeve D30/D20 ESD ensures that a Profile Tube D30 will slide smoothly inside a Profile Tube D40/D30. This makes it ideal for building manual telescopic solutions.



- $F = 500 \text{ N}$
- L_{PA} = Length of external profile
- $L_{PA \text{ min}} = H + 100 \text{ mm}$
- L_{PI} = Length of internal profile
- $L_{PI \text{ min}} = H + 120 \text{ mm}$
- H = Travel
- $H_{\text{max}} = 2/3 L_{PA}$



Telescope Clamp D40/D30

Preassembled
 Telescope clamp ring D40/D30, die-cast aluminium
 Telescope clamping device D40/D30, die-cast aluminium
 Clamp Lever Pi 50 M6x40
 Threaded cross dowel M6, St, bright zinc-plated
 Hexagon Socket Head Cap Screw DIN 912 M6x32, St, bright zinc-plated
 m = 120.0 g

1 pce.

0.0.676.28

Plain Bearing Sleeve D30/D20 ESD

POM, ESD
 m = 6.0 g

black similar to RAL 9005, 1 pce.

0.0.670.95





Pivot Bearing Set D30-28.5 M8 Double Pivot Bearing Unit D30-28.5 M8

- Exceptionally easy running and precise
- Durable, ball-bearing rollers
- Highly robust and dependable



Responds to the smallest changes! Compact and robust Pivot Bearing Set D30-28.5 M8 ensures that even light transported goods can actuate and trigger mechanisms.

The pivot bearing is fastened to the end face of a (profile) tube using a Threaded Insert and is also connected to a Fastener D30. This ensures the profile can be rotated around its longitudinal axis.

The Pivot Bearing Set comprises a fixed and a floating bearing with 2 mm of length compensation. This ensures axial loads can be accommodated and compensates for any expansion in the shaft caused by heat – all without compromising precision. The ball-bearing mounted pivot bearing is easy running and exhibits low friction.

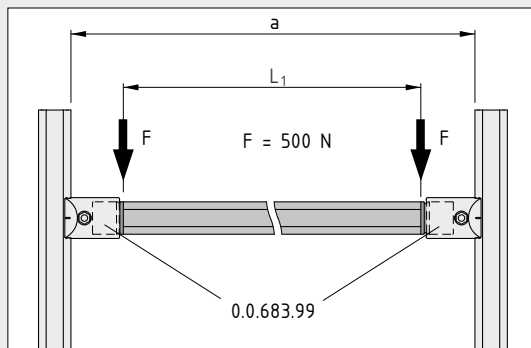
If only one bearing position is required or if very high loads occur, it is advisable to use Double Pivot Bearing Unit D30-28.5 M8. This features two ball bearings. Consequently, it can accommodate higher forces for rotating motions. As a fixed bearing, Double Pivot Bearing Unit D30 doesn't offer any play under axial load.

Note: To build structures that allow both rotation and movement along an axis, use item Plain Bearings D40/D30.

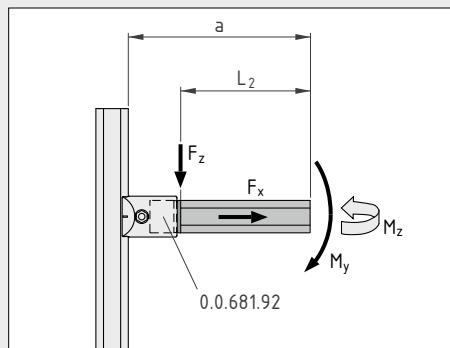


Use the relevant M8 Threaded Insert to create a fixing with the end-face of a D30 profile.

Profile	Threaded insert	L ₁	L ₂
Profile Tube D30 (0.0.628.28)	Threaded Insert, Profile Tube D30 M8 AI (0.0.675.17)	a-108	a-54
Tube D30 (0.0.628.56)	Threaded Insert D30 M8 (0.0.640.96) Threaded Insert D30 M8 ESD (0.0.640.98)	a-108	a-54
Profile Tube D40/D30 (0.0.666.63)	Threaded Insert, Profile Tube D40 M8 AI (0.0.673.71)	a-108	a-54
Profile Tube D30 heavy duty (0.0.642.34)	Threaded Insert, Profile Tube D30 heavy duty (0.0.672.18)	a-98	a-49
Profile Tube D30-45° heavy duty (0.0.683.34)	Threaded Insert, Profile Tube D30 heavy duty (0.0.672.18)	a-98	a-49

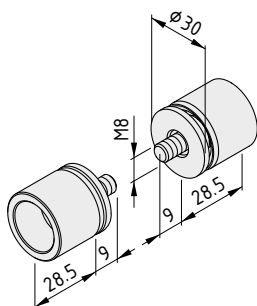


Profile length L₁ varies depending on the profile and Threaded Insert used. Both bearing units of Pivot Bearing Set D30-28.5 M8 are fastened at the ends of the profile. Loading values F correspond to those of Profile Tube D30.



F_x = 200 N
F_z = 750 N
M_y = 15 Nm
M_z = 15 Nm

Double Pivot Bearing Unit D30-28.5 M8 can be fitted to just one end of a profile, via the end face. The required profile length L₂ is determined by the combination of Threaded Insert and profile. In addition to the maximum load-carrying capacity of the Double Pivot Bearing Unit, it is important to also take into account the load limits of the adjacent components.

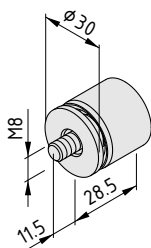


Pivot Bearing Set D30-28.5 M8



Bearing Unit D30-28.5 M8, floating bearing, Al, St, bright zinc-plated, preassembled
 Bearing Unit D30-28.5 M8, fixed bearing, Al, St, bright zinc-plated, preassembled
 m = 159.0 g

1 set 0.0.683.99



Double Pivot Bearing Unit D30-28.5 M8



Preassembled
 Bearing shaft, St, bright zinc-plated
 Bearing sleeve, Al, untreated
 2 deep groove ball bearings, St, bright zinc-plated
 Dome-head screw M8x35, St, bright zinc-plated
 O-ring DIN ISO 3601 7x2, NBR
 m = 97.0 g

1 pce. 0.0.681.92



Bearing Block 8 80x80-50 Rotational Damper Sets 8Nm 4kt10

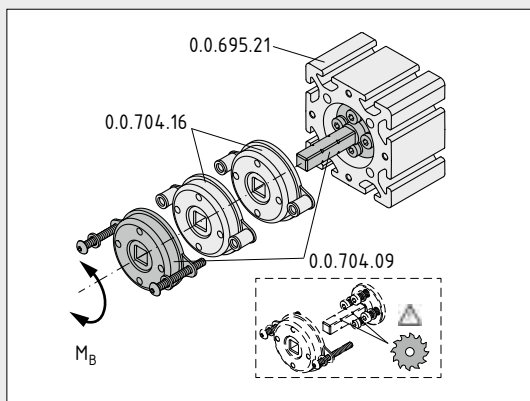
- Dampens rotational movement
- Scalable braking torque
- Secure under exposure to load changes



A powerful response to load changes! If moving components build up considerable momentum, systems can be overwhelmed, thereby putting staff at risk. Bearing Block 8 80x80-50 with rotational dampers uses multi-stage damping to reliably absorb even high torques and thus control rotary motion.

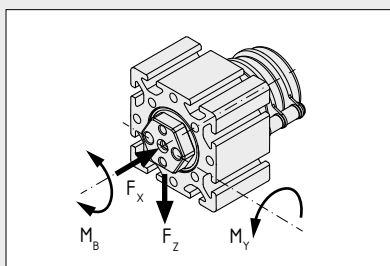
The key component is easy-running Bearing Block 8 80x80-50. This precise rotary bearing can be used in opposing pairs or as a one-sided bearing. Rotational Damper Set 8Nm 4kt10 M5-68 T1 is used to ensure rotary motions are gentle and controlled. The braking torque can be extended with up to two Rotational Damper Sets 8Nm 4kt10 5.5-68 T2. This means braking torque can be scaled to 8, 16 or 24 Nm.

As required by CE standards, the rotational damper prevents the uncontrolled acceleration of an assembly and thus impact injuries. The sturdy Bearing Block is connected to a load-bearing construction via Line 8 grooves.



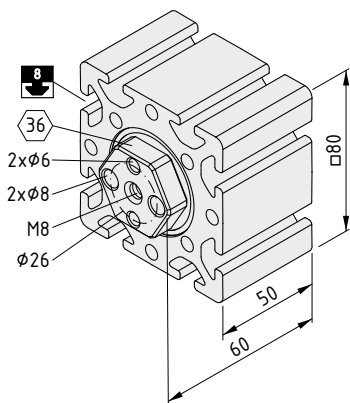
Bearing Block 8 80x80-50 (0.0.695.21) can be fitted with up to three rotational dampers, as required. Rotational Damper Set T1 (0.0.704.09) uses a square spindle as an axle. To prevent injuries, this spindle must be cut to size if fewer than three rotational dampers are being used on Bearing Block 8 80x80-50.

$M_B = 0 \text{ Nm}/8 \text{ Nm}/16 \text{ Nm}/24 \text{ Nm}$
 $M_B = \text{Max. braking torque}$



$M_B = 0 \text{ Nm}/8 \text{ Nm}/16 \text{ Nm}/24 \text{ Nm}$
 $M_y = 45 \text{ Nm}$
 $F_x = 1000 \text{ N}$
 $F_z = 3000 \text{ N}$

Note: In addition to the maximum load-carrying capacity of the Bearing Block, it is important to also take into account the load limits of the adjacent components.

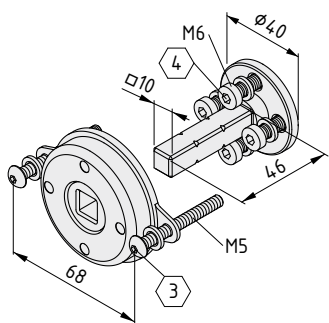


Bearing Block 8 80x80-50



Preassembled
 Profile housing 80x80-50, Al, anodized
 Shaft D25-38.5 36A/F M8, Al
 Bearing cover D40/D8-8, Al
 2 deep groove ball bearings 6005, St
 2 circlips DIN 472, St
 Dowel pin ISO 8734 5m6x16, St, bright zinc-plated
 Countersunk Screw DIN 7991-M8x20, St, bright zinc-plated
 m = 693.0 g

1 pce. 0.0.695.21

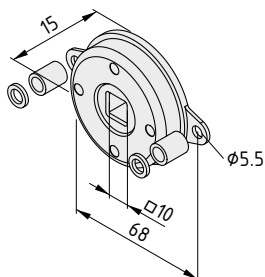


Rotational Damper Set 8Nm 4kt10 M5-68 T1



Driving flange D40-10x10-46, St, bright zinc-plated
 Rotational damper 8 Nm
 2 Button-Head Screws ISO 7380 M5x45, St, bright zinc-plated
 4 Hexagon Socket Head Cap Screws DIN 7984 M6x14, St, bright zinc-plated
 6 washers, St, bright zinc-plated
 m = 206.2 g

1 set 0.0.704.09



Rotational Damper Set 8Nm 4kt10 5.5-68 T2



Rotational damper 8 Nm
 2 spacer sleeves D9.5/6.4-12, St, bright zinc-plated
 2 washers, St, bright zinc-plated
 m = 93.0 g

1 set 0.0.704.16



Roller Set 8 D30-30 ESD Roller D30/D6-16 ESD Spacer Bushing D17/D6-12

- For carriages and moving components
- Utilise profile frames for guidance
- Excellent operational reliability

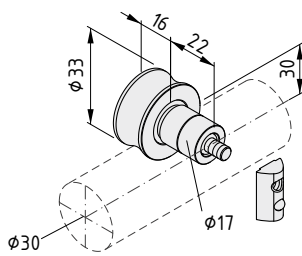
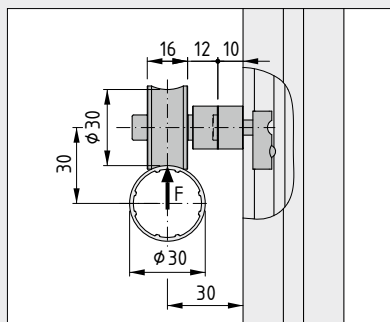
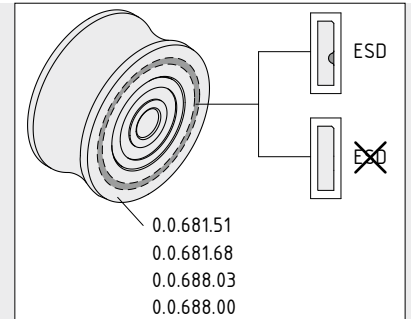


Precise movement under all conditions: Roller D30/D6-16 ESD and Roller D30/D6-16 T1 ESD ensure smooth running on carriages and other moving components. They use the profile frame as guidance, meaning there is no need for additional profiles.

Roller D30/D6-16 ESD has a concave running surface with a contour that perfectly matches that of (Profile) Tubes D30. For best results, Roller D30/D6-16 ESD should be installed together with Roller D30/D6-16 T1 ESD. Using this combination of Rollers prevents jamming as a result of static overdetermination. This means Karakuri/LCA applications can also be built for lightweight containers.

The Rollers are available preassembled with Spacer Bushings and a T-Slot Nut 8 as Roller Set 8 D30-30 ESD and Roller Set 8 D30-30 T1 ESD. This means they can be rapidly attached to a Profile Tube 8 D30 or any Line 8 groove, thereby making it even easier to construct lifts, roller trolleys and slides.

The Rollers and Spacer Bushing D17/D6-12 are also available separately for custom applications. The Spacer Bushings create the necessary gap between the profile and slide. They are fastened using M6 screws in an item Multiblock D30, for example.



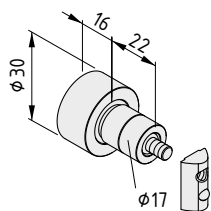
Roller Set 8 D30-30 ESD



Partially preassembled
Roller D30/D6-16, POM, ESD
2 Spacer Bushings D17/D6-12, St, bright zinc-plated
Hexagon Socket Head Cap Screw similar to DIN 912 M6x47, St, bright zinc-plated
T-Slot Nut V 8 St M6, St, bright zinc-plated
m = 79.0 g

1 set

0.0.681.51

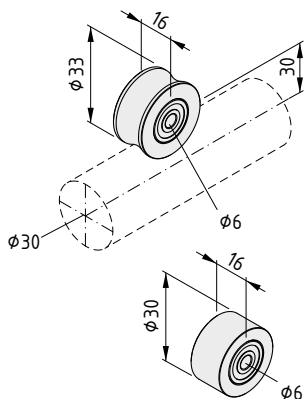


Roller Set 8 D30-30 T1 ESD



Partially preassembled
 Roller D30/D6-16 T1, POM, ESD
 2 Spacer Bushings D17/D6-12, St, bright zinc-plated
 Hexagon Socket Head Cap Screw similar to DIN 912 M6x47, St, bright zinc-plated
 T-Slot Nut V 8 St M6, St, bright zinc-plated
 m = 79.4 g

1 set 0.0.688.03



Roller D30/D6-16 ESD



Preassembled
 Roller D30, POM, ESD
 2 deep groove ball bearings, St, bright zinc-plated
 m = 28.0 g

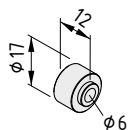
1 pce. 0.0.681.68

Roller D30/D6-16 T1 ESD



Preassembled
 Roller D30 T1, POM, ESD
 2 deep groove ball bearings, St, bright zinc-plated
 m = 28.4 g

1 pce. 0.0.688.00



Spacer Bushing D17/D6-12



St, bright zinc-plated
 m = 15.0 g

1 pce. 0.0.681.67



Shock Absorber D30-110 15, adjustable

- Prevents severe impacts
- Adjustable damping
- Reduces vibrations

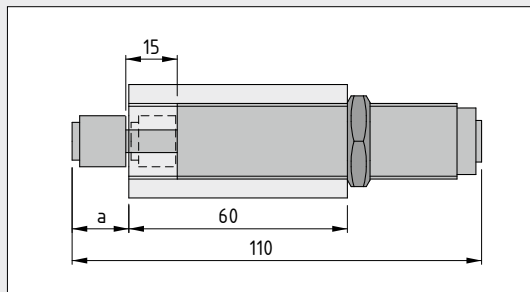
Take the shock out of impacts! Protect moving assemblies by diminishing kinetic energy with Shock Absorber D30-110 15, adjustable. The solution brings hatches or lifts in Karakuri/ LCA applications safely to a stop before they hit their limit stop, thereby reducing strain on the frame.

The Shock Absorber ensures that actions in mechanical automation systems terminate at their end position so that transitions between individual steps run smoothly. This boosts process reliability and also eases the strain on all the parts involved.

The Shock Absorber is supplied preassembled and is housed within a Profile Tube D30 heavy duty. As a result, it can be mounted in place using fasteners from the Lean Production Building Kit System. Its damping action is set by using a screwdriver to adjust a mechanism at the end of the Shock Absorber.

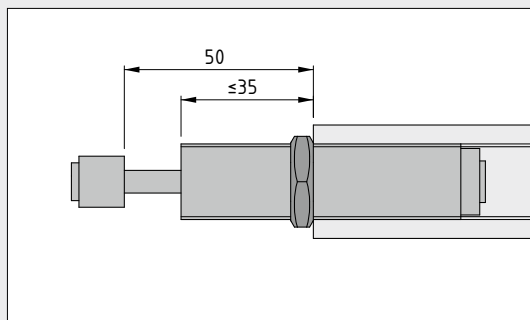
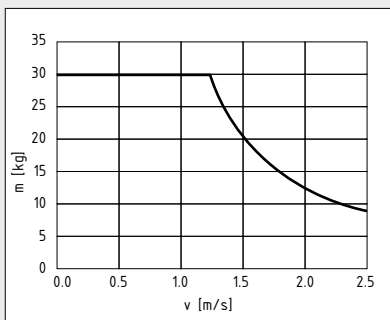
The maximum damping travel is 15 mm. Thanks to the fine thread and the counter nut, positioning can also be adjusted accurately once the product has been mounted to a frame.

The oil-filled Shock Absorber is maintenance-free.



a	External limit stop needed	Full travel
= 14	-	•
> 14	•	•
< 14	-	-

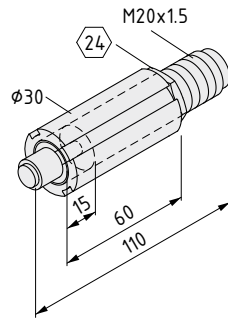
- No; • Yes



In addition to the maximum load-carrying capacity of the Shock Absorber, it is important to take account of the load limits of the adjacent components in the construction.



Note:
Shock Absorber M20x1.5-110 15 itself must not be used as a limit stop. The assembly provides the option of using the Profile Tube D30 heavy duty included in the scope of supply as the actual limit stop. Depending on how the screw has been set on the Shock Absorber, it may be necessary to fit a separate limit stop to the frame.



Shock Absorber D30-110 15, adjustable

Preassembled
Shock Absorber M20x1.5-110 15
Profile Tube D30 heavy duty, Al, anodized
m = 208.0 g

1 pce.

0.0.683.68

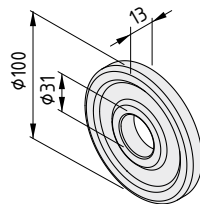


Weight 0.5kg D100/D31-13
Weight 1.25kg D128/D31-20.5

- As a counterweight in Karakuri/LCA solutions
- For resetting assemblies
- Fit on Profiles D30

Weight 0.5kg D100/D31-13 and Weight 1.25kg D128/D31-20.5 are used to reset functional Karakuri/LCA units such as hatches, lift systems and carriages.

The inside diameter of 31 mm ensures the Weights are compatible with any (Profile) Tube D30. Locking Ring D30 is used to fix them in place.



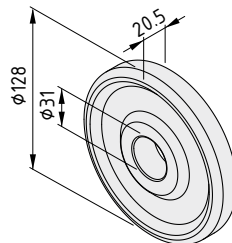
Weight 0.5kg D100/D31-13

St

m = 0.5 kg

black similar to RAL 9005, 1 pce.

0.0.692.10



Weight 1.25kg D128/D31-20.5

St

m = 1.25 kg

black similar to RAL 9005, 1 pce.

0.0.692.11



Cable components

- Parts and accessories for Karakuri/LCA applications
- For synthetic fibre and steel cables



Time to get your applications moving – and this is how! Karakuri/LCA uses a combination of gravity, leverage and muscle power. Cable components from item give you the tools you need to transmit mechanical movements and tensile forces.

Steel cables can be connected using Wire Cable Clamp D3 M4x10, which can be released to allow fine adjustment.

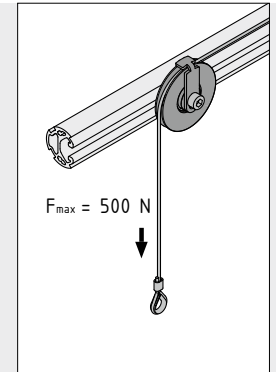
Synthetic Fibre Cable D3 can be easily redirected around components and is frequently used with counterweights. When it comes to making mechanical connections for actuating or triggering a Karakuri/LCA solution, it is advisable to use Steel Cable D3 sheathed. Thimble D12/D3 and Cable End Link D12-34 create the connections between cables and accessories.

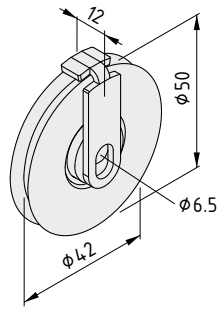
Ring Bolt D10 M6x45, meanwhile, is used to make a connection to constructions such as carriages and counterweights. It is simply screwed into a Multiblock D30 or the end face of a Profile D30. The ring offers a stable connection point for both steel and synthetic fibre cables.

item offers Spacer Bushing D17/D6-5 and Spacer Bushing D17/D8-15 for evening out the heights of different components. The Spacer Bushings are designed to ensure there is a big enough gap between the profiles and Karakuri/LCA components in a construction, so that cables run with perfect precision. Several Bushings can be installed one on top of the other when larger gaps need to be created.

Cables often need to be redirected to create compact constructions. Cable Pulley Wheel D42/D6-12 offers simple and secure guidance for cables. This high-quality, ball-bearing pulley can be screwed directly to the profile with or without Spacer Bushings. The bracket plate included in the scope of supply stops the cable from springing out of the pulley.

Extension Spring 1.25x12.7x121 can be used to apply the force needed to automatically reset levers and locks.

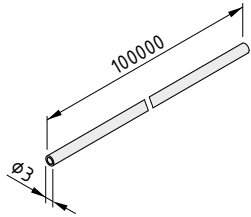




Cable Pulley Wheel D42/D6-12

Pulley D42/D6-10, PA
Bracket plate R25/D6-8.5, St, bright zinc-plated
m = 37.0 g

1 set	0.0.682.16
-------	------------

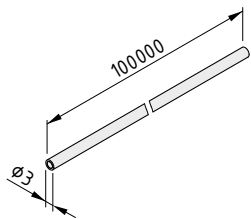


Synthetic Fibre Cable D3

PES
m = 2.0 g/m
grey similar to RAL 7042, 1 roll, length 100 m
grey similar to RAL 7042, cut-off max. 100m

grey similar to RAL 7042, 1 roll, length 100 m	0.0.682.01
--	------------

grey similar to RAL 7042, cut-off max. 100m	0.0.682.47
---	------------

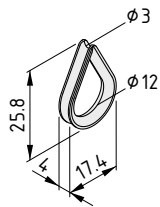


Steel Cable D3 sheathed

St, bright zinc-plated
PA, transparent
m = 20.0 g/m
transparent, 1 roll, length 100 m
transparent, cut-off max. 100m

transparent, 1 roll, length 100 m	0.0.675.05
-----------------------------------	------------

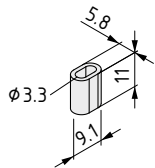
transparent, cut-off max. 100m	0.0.682.46
--------------------------------	------------



Thimble D12/D3

St, bright zinc-plated
m = 6.0 g

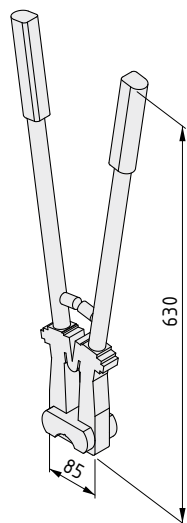
1 pce.	0.0.675.04
--------	------------



Ferrule D3-11

Al
m = 8.0 g

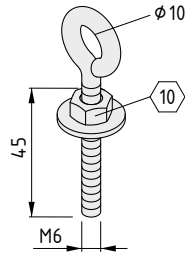
1 pce.	0.0.682.18
--------	------------



Ferrule Crimper D3

St
m = 3.2 kg

1 pce.	0.0.683.33
--------	------------

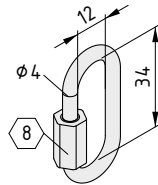


Ring Bolt D10 M6x45



Ring Bolt D10 M6x45, St, bright zinc-plated
 Washer, St, bright zinc-plated
 Hexagon nut DIN 934 M6-I8I, St, bright zinc-plated
 m = 21.0 g

1 set 0.0.687.17

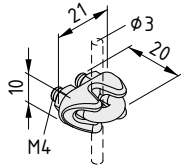


Cable End Link D12-34



St, bright zinc-plated
 m = 12.0 g

1 pce. 0.0.686.02

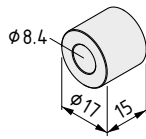


Wire Cable Clamp D3 M4x10



St, bright zinc-plated
 m = 9.0 g

1 pce. 0.0.687.68

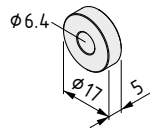


Spacer Bushing D17/D8-15



St, bright zinc-plated
 m = 20.0 g

1 pce. 0.0.685.65

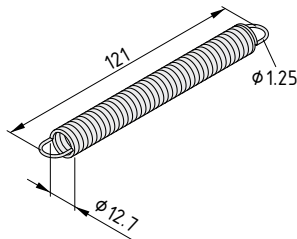


Spacer Bushing D17/D6-5



St, bright zinc-plated
 m = 8.0 g

1 pce. 0.0.685.67



Extension spring 1.25x12.7x121



St, stainless
 Extension spring similar to DIN 2097
 Spring rate R = 0.172 N/mm
 m = 29.0 g

1 pce. 0.0.660.45



Rotary Latch System D9.5-120x30 Latch Bolt Set D9.5-22.5-M8

- High holding force for hatches and lifts
- Accurate release and low engagement force
- For Karakuri/LCA applications



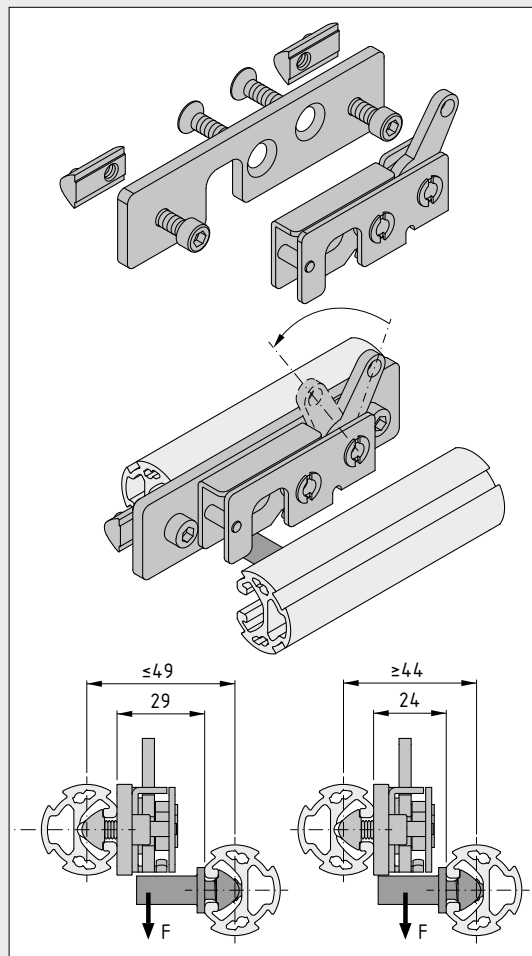
A strong hold and an accurate release! Rotary Latch System D9.5-120x30 holds hatches and lifts securely in place even when under load. It is an ideal solution when loading and unloading small load carriers that then need to be moved using mechanics.

The integrated lever with eyelet releases the latch precisely and is actuated by hand using Bowden cable components or other cable systems. Once released, it only takes a gentle force for the latch bolt to re-engage securely with the rotary latch mechanism.

The two separate sets for the latch and bolt work hand in hand with each other. The Rotary Latch System contains fixings and a mounting plate that can be used on both sides so that the latch can be set up to release in any direction. Latch Bolt Set D9.5-22.5-M8 comes with everything needed to secure the bolt to a Line 8 groove, such as a groove on a Profile Tube 8 D30. A 5 A/F Allen key fits into the end of the bolt.

Note: The Rotary Latch System and Latch Bolt Set must not be used as a limit stop. A limit stop must be built into the structure of the frame.

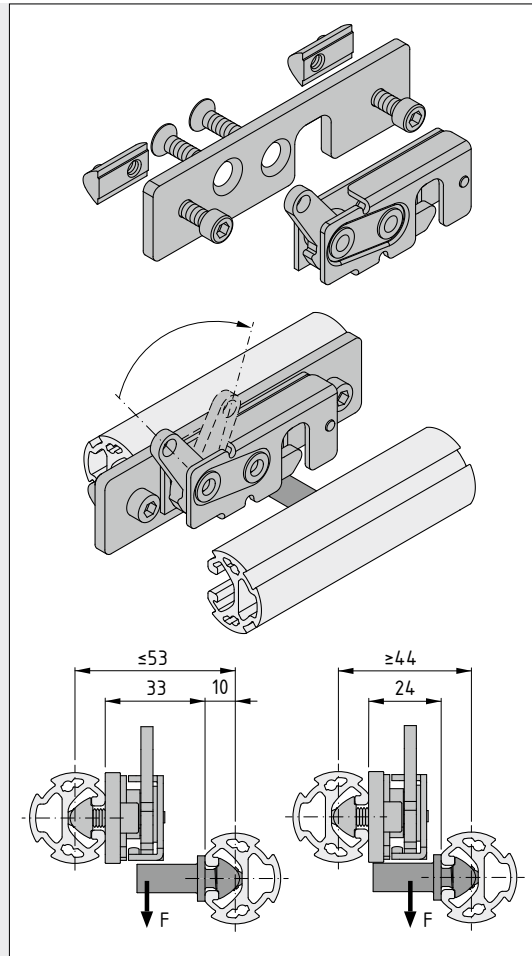
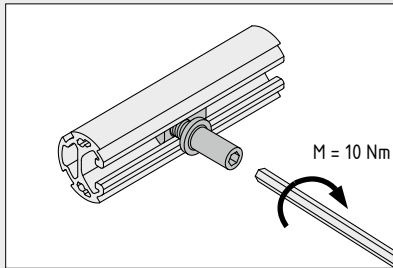
The load limits of adjacent components in the construction must be taken into account.



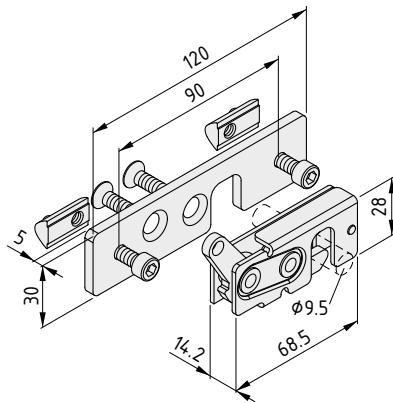
Releasing left

F = 300 N

Releasing right



F = 300 N

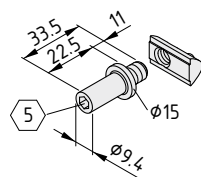


Rotary Latch System D9.5-120x30



Rotary latch D9.5, St, bright zinc-plated
 Mounting plate 120x30-5, St, bright zinc-plated
 2 Hexagon Socket Head Cap Screws DIN 912 M6x16, St, bright zinc-plated
 2 T-Slot Nuts V 8 St M6, St, bright zinc-plated
 2 Countersunk Screws DIN 7991 M6x16, St, bright zinc-plated
 m = 251.0 g

1 set 0.0.695.00



Latch Bolt Set D9.5-22.5-M8



Latch bolt D9.5-22.5-M8, St, bright zinc-plated
 T-Slot Nut V8 St M8, St, bright zinc-plated
 m = 25.0 g

1 set 0.0.697.00



Bowden cable components

- Pre-assembled lever
- For actuating Karakuri/LCA assemblies
- All necessary components for a Bowden cable system

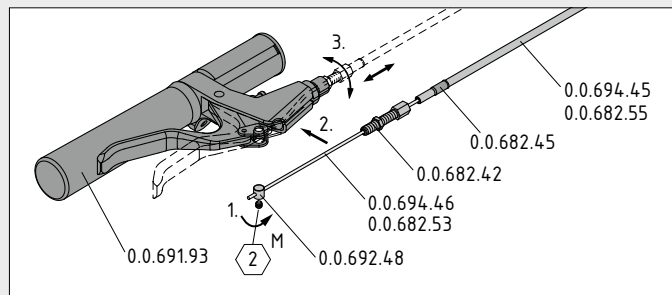


Simply get started! Manual Trigger D30 and Bowden Cable D1.5 are ideal for actuating assemblies and functional units in Karakuri/LCA solutions. For example, pulling the lever can release locks or actuate hatches. The complete system includes all necessary parts.

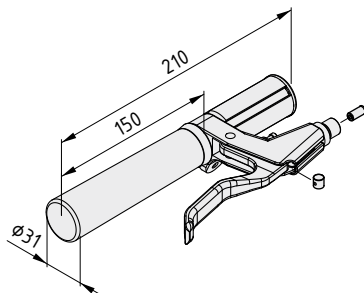
Manual Trigger D30 comprises a lever that is already fitted to a Profile Tube D30 heavy duty, meaning it can be very easily fixed wherever needed on a frame. The maximum travel on the Manual Trigger is 30 mm. Adjusting Screw D5/D3-M6x20 can also be used to set the actuation point with outstanding precision and change it later on.

Bowden Cable D1.5 is a robust steel cable. To ensure the Manual Trigger operates correctly, the cable must be sheathed and routed with Bowden Cable Sheathing D5/D1.5.

Accessories such as Cable Barrel Clamp D7/D2-7 M4 and Thimble D7/D2 are available for transmitting movement. The end of the loop is fastened to the Bowden Cable using Ferrule D2-7. Ferrule Crimper D2 is used to securely press everything together.



Tip:
Watch explanatory videos here to discover how Karakuri/LCA applications work:
karakuri.item24.de/en/applications.html

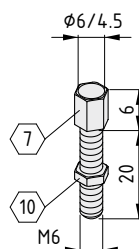


Manual Trigger D30

Partially preassembled
Profile Tube D30 heavy duty, Al, anodized
Grip D22.2, TPE
Trigger lever D22.2, Al
Cap, Profile Tube D30 heavy duty, PA, grey
Cable Barrel Clamp D7/D2-7 M4, St, bright zinc-plated
End Cap D6/D5-12, St, bright zinc-plated
m = 277.0 g

1 set

0.0.691.93



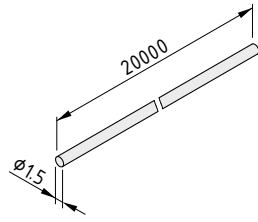
Adjusting Screw D5/D3-M6x20

Adjusting Screw M6x20, CuZn, nickel-plated
Nut M6 10 A/F, CuZn, nickel-plated
m = 6.0 g

1 pce.

0.0.682.42





Bowden Cable D1.5



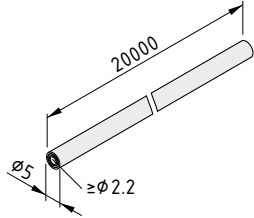
St, bright zinc-plated
m = 11.6 g/m

1 roll, length 20 m

0.0.694.46

cut-off max. 20 m

0.0.682.53



Bowden Cable Sheathing D5/D1.5

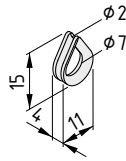
Plastic/St
m = 64.0 g/m

black similar to RAL 9005, 1 roll, length 20 m

0.0.694.45

black similar to RAL 9005, cut-off max. 20 m

0.0.682.55



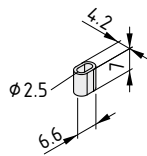
Thimble D7/D2



St, stainless
m = 3.0 g

1 pce.

0.0.682.17



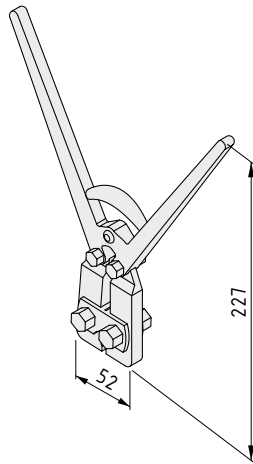
Ferrule D2-7



Al, untreated
m = 1.0 g

1 pce.

0.0.682.19

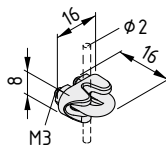


Ferrule Crimper D2

St
m = 654.0 g

1 pce.

0.0.694.36



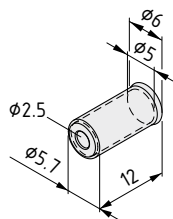
Wire Cable Clamp D2 M3x8



St, bright zinc-plated
m = 9.0 g

1 pce.

0.0.691.99



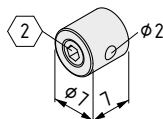
End Cap D6/D5-12



St, bright zinc-plated
m = 0.7 g

1 pce.

0.0.682.45



Cable Barrel Clamp D7/D2-7 M4



St, bright zinc-plated
m = 2.0 g

1 pce.

0.0.692.48



Braking Roller Set D52-95 M6

- For steady motion
- Balances out differences in weight
- Prevents severe impacts

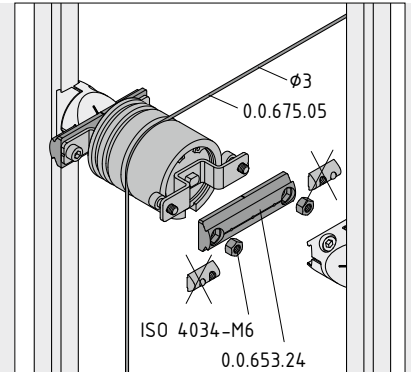
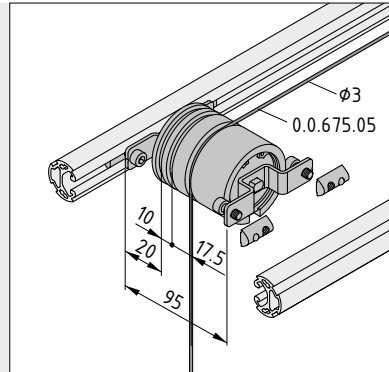


Everything under control! Braking Roller Set D52-95 M6 ensures assemblies move steadily. Deceleration increases in line with speed so that the Braking Roller effectively counteracts strong acceleration.

The Braking Roller helps to reduce the mechanical strain on frames, transported goods and moving elements. For example, load changes during loading/unloading can lead to severe impacts and thus cause damage. When using the Braking Roller, moderately heavy containers and goods weighing up to 15 kg can be safely transported via lift systems or hatches, which improves process reliability.

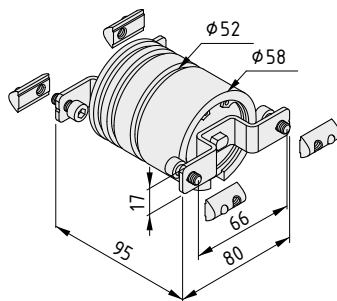
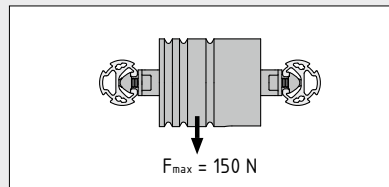
Three external grooves can be used to route cables around the Braking Roller. The spacing of these grooves makes it easy to ensure cables are routed in line with the positions of item deflection pulleys and spacers. Two redundant cables can also be run around a Braking Roller to further increase the safety of a Karakuri/LCA solution in line with the requirements for CE certification.

The necessary fastening elements are included in the scope of supply.



Braking Roller Set D52-95 M6 comes with four T-Slot Nuts and matching screws so it can be installed between two Profile Tubes 8 D30 or other profiles with a Line 8 groove.

Adapter 8 80 D30 (0.0.653.24) can be used to attach Braking Roller Set D52-95 M6 to a Fastener D30, although the two anti-torsion features of the Adapter must be removed in order to do so.



Braking Roller Set D52-95 M6



Braking Roller D52
 2 braking roller fixings M6, St, bright zinc-plated
 4 T-Slot Nuts V 8 St M6, St, bright zinc-plated
 4 Hexagon Socket Head Cap Screws DIN 912 M6x14, St, bright zinc-plated
 m = 395.0 g

1 set

0.0.688.23



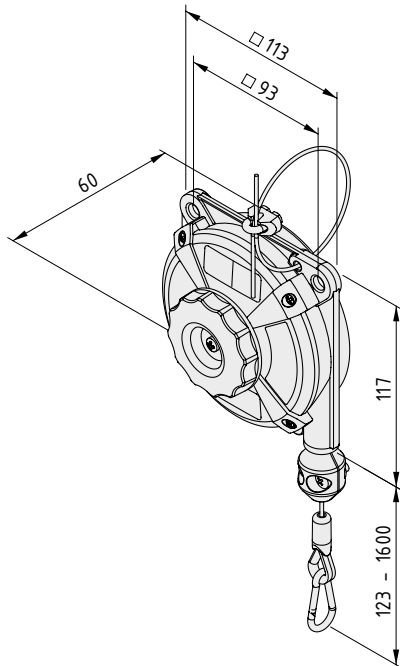
Tool Balancers with a synthetic fibre cable

- Precisely adjustable retraction force
- Synthetic fibre cable can be easily redirected
- Three different sizes available

They can do it all! Tool Balancers with a synthetic fibre cable are tear-resistant and, unlike steel cables, can be easily guided over small pulleys. This makes them perfect for Karakuri/LCA applications.

Tool Balancers automatically pull moving components back to their starting position. The adjustable retraction force of the item Tool Balancers enables precision setting.

Tool Balancers with a synthetic fibre cable come in three designs with a retraction weight of 1 to 2 kg, 2 to 3 kg or 10 to 14 kg.



The following applies to all the products below:

- Casing, die-cast Al
- Synthetic fibre cable \varnothing 2 mm
- Securing loop: Sheathed steel cable \varnothing 2 mm, St, stainless
- Cable clamp, St, bright zinc-plated
- Spring Hook, St, stainless
- Notes on Use and Installation

Tool Balancer 1-2 kg, Synthetic Fibre Cable

m = 664.0 g

1 pce.

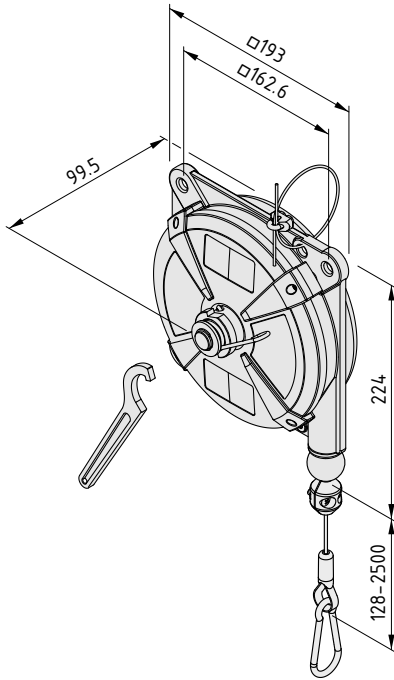
0.0.682.87

Tool Balancer 2-3 kg, Synthetic Fibre Cable

m = 694.0 g

1 pce.

0.0.682.88



Tool Balancer 10-14 kg, Synthetic Fibre Cable

Casing, die-cast Al
 Synthetic fibre cable \varnothing 2 mm
 Securing loop: Sheathed steel cable \varnothing 2 mm, St, stainless
 Cable clamp, St, bright zinc-plated
 Spring Hook, St, stainless
 Wrench 30 A/F, St, bright zinc-plated
 Notes on Use and Installation
 m = 3.2 kg

1 set

0.0.681.00



Release Units D30

- For efficient shooter solutions
- Selective actuation of individual filling levels
- Separation of containers during material supply and removal operations



Efficient picking made easy: Compact Release Unit D30 makes it possible to automatically load and unload flow racks. Customised shooters that move small load carriers from station to station help to reduce production costs.

Release Unit D30 features a robust pivoting Bar that holds transport crates in place on the roller conveyor. The system's locking mechanism is automatically opened when there is side-on contact between an Actuator Ramp and Actuator Roller and the shooter and workstation are correctly aligned. The Spring-Loaded Reset Device ensures the Bar travels back to its original position as soon as the transport rack moves away.

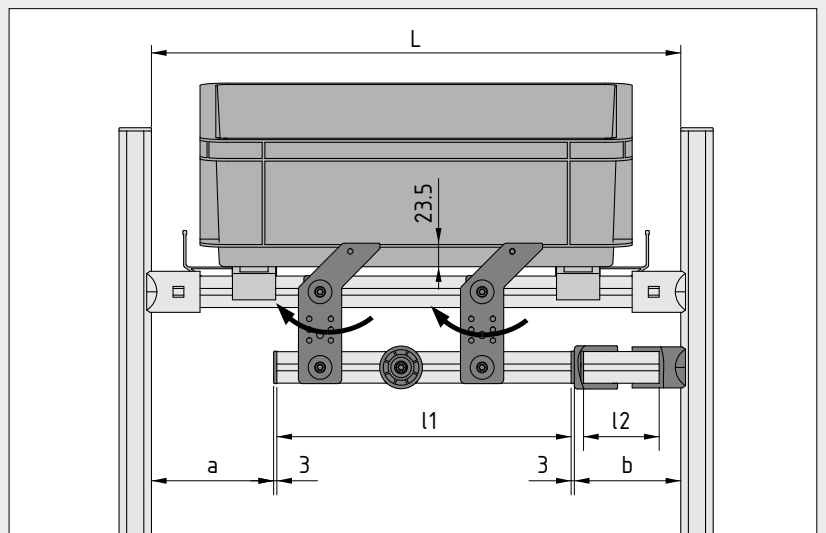
This type of shooter solution supports the selective release of individual conveyor lines, thus enabling the precise operation of picking systems with feed and return lines. Two Bars are available for different loads. Release Unit D30 Bar T2 features smooth-running ball and needle bearings, meaning lower actuation forces are required than with Release Unit D30 Bar T1. The Release Unit remains easy to actuate, even when the Bar is exposed to axial pressure from heavy containers. This results in added operational reliability.

Bar T1 is supplied with fastening elements for connecting it to a Profile 6 D30. To install Bar T2, the relevant Fastening Set for either Profile 6 D30 or Profile 6 30x30 must be ordered.

Actuator Ramps are available in two installation depths to suit different roller conveyors (38 and 61 mm). This ensures that even conveyor lines that protrude can be reliably actuated.

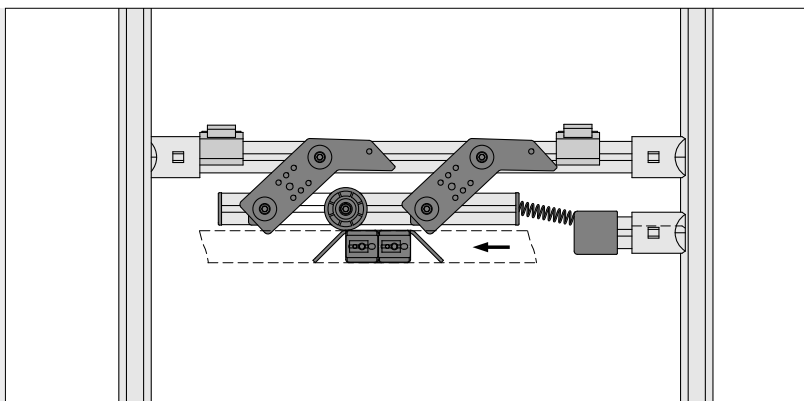


How Release Unit D30 works: Stable Bars hold the load in place (e.g. transport boxes). When the shooter pulls alongside, its Actuator Roller rolls up and over the Ramp on the workstation. The Actuator Roller is fixed to a spring-mounted strut - the roller strut - that follows the contour of the Ramp and is thus pushed up and to the side. This causes the Bars that are fastened to both the roller strut and the upper profile to pivot to the side, thereby ensuring that the load is only released when the roller conveyor is correctly aligned.

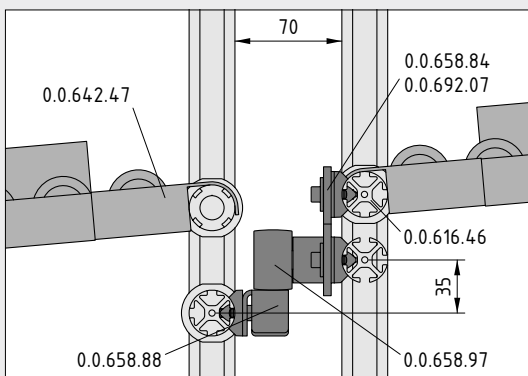
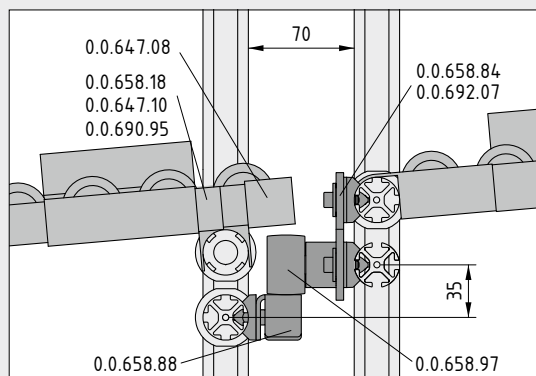
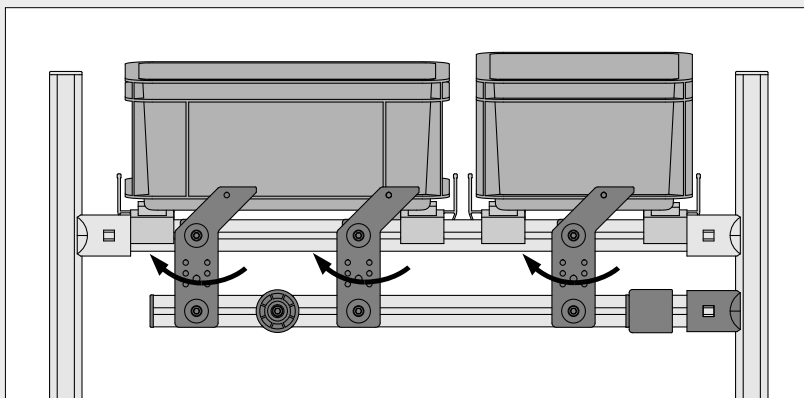


- L: Total clearance
- a: Recommended minimum clearance = 113 mm
- b: min. 91 mm
- l1 = L-a-b-6 mm (Profile 6 D30 for the Roller strut)
- l2 = b-28.5 mm (Profile 6 D30 for the stop)

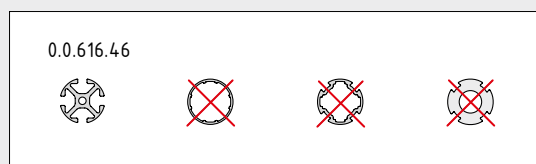
The shooter is released when the Actuator Roller runs over the Actuator Ramp.



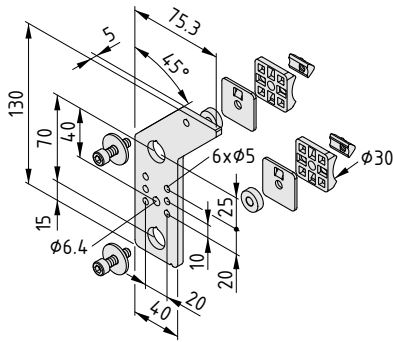
A Release Unit D30 Actuator Roller operates at least two Bars at once and can operate more, if necessary. Depending on the width of the load, a second roller conveyor can be secured simply by adding an additional Bar.



The Release Unit can perform the same function even on protruding roller conveyors.



Note:
Profile 6 D30 (0.0.616.46) or Profile 6 30x30 (0.0.419.06) must be used to fasten the Bar and the Actuator Ramp.

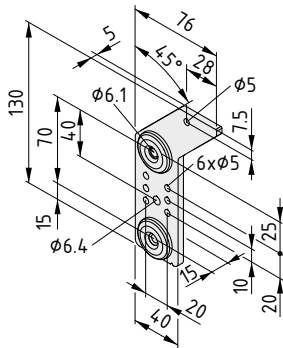


Release Unit D30 Bar T1



Release Unit D30 Bar 70/45, St, bright zinc-plated
 2 bush liners, St, bright zinc-plated
 2 spacer plates, St, bright zinc-plated
 2 Adapters 6 30x30/D30, die-cast Al, natural
 2 washers DIN 440-M6, St, bright zinc-plated
 2 Hexagon Socket Head Cap Screws DIN 912 M6x22, St, bright zinc-plated
 2 T-Slot Nuts 6 St M6, St, bright zinc-plated
 m = 282.0 g

1 set 0.0.658.84

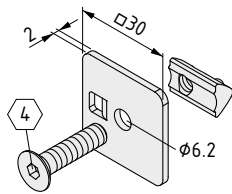


Release Unit D30 Bar T2



Preassembled
 Release Unit D30 Bar 70/45, St, bright zinc-plated
 4 Caps D30/D6, St, stainless
 2 sleeves D8/D6, Al
 2 deep groove ball bearings 628, St
 4 axial needle cages AXK1226, St
 4 axial thrust washers AS1226, St
 m = 260.5 g

1 pce. 0.0.692.07

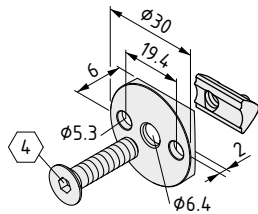


Fastening Set 6 15mm with Countersunk Screw M6



Spacer plate, St, bright zinc-plated
 T-Slot Nut 6 St M6, St, bright zinc-plated
 Countersunk Screw DIN 7991-M6x25, St, bright zinc-plated
 m = 24.0 g

1 set 0.0.697.38

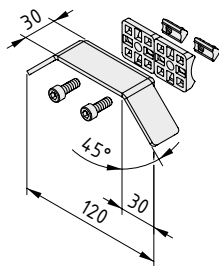


Fastening Set 6 D30 15mm with Countersunk Screw M6



Adapter D30/R15-2, die-cast Al, natural
 T-Slot Nut 6 St M6, St, bright zinc-plated
 Countersunk Screw DIN 7991-M6x25, St, bright zinc-plated
 m = 17.0 g

1 set 0.0.697.37

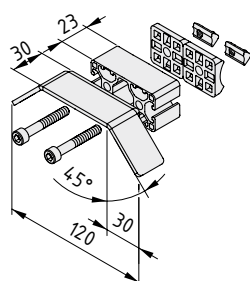


Release Unit D30 Actuator Ramp 120-38



Ramp, St, bright zinc-plated
 2 Adapters 6 30x30/D30, die-cast Al, natural
 2 Hexagon Socket Head Cap Screws DIN 912 M6x16, St, bright zinc-plated
 2 T-Slot Nuts 6 St M6, St, bright zinc-plated
 m = 165.0 g

1 set 0.0.658.88

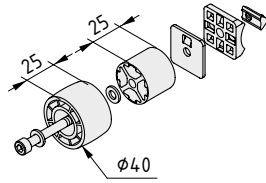


Release Unit D30 Actuator Ramp 120-61



Ramp, St, bright zinc-plated
 Profile 6 60x30 2N light 23 mm, Al, anodized
 2 Adapters 6 30x30/D30, die-cast Al, natural
 2 Hexagon Socket Head Cap Screws DIN 912 M6x40, St, bright zinc-plated
 2 T-Slot Nuts 6 St M6, St, bright zinc-plated
 m = 212.0 g

1 set 0.0.659.55



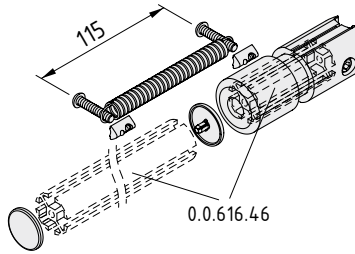
Release Unit D30 Actuator Roller D40-60 side contact



Roller D40, ball-bearing mounted
 Profile 6 D30 4N, Al, anodized
 Spacer plate, St, bright zinc-plated
 Adapter 6 30x30/D30, die-cast Al, natural
 Washer DIN 125-6.4, St, bright zinc-plated
 Hexagon Socket Head Cap Screw DIN 912 M6x60, St, bright zinc-plated
 T-Slot Nut 6 St M6, St, bright zinc-plated
 m = 113.0 g

1 set

0.0.658.97



Release Unit D30 Spring-loaded Reset Device



Fastener D30, die-cast Al, natural
 Tube End Cap D30, NBR Sh 60A
 Extension Spring 1.25x12.7x121, St, stainless
 2 Caps 6 D30, PA-GF
 2 Button-Head Screws ISO 7380 M6x30, St, bright zinc-plated
 2 T-Slot Nuts 6 St M6, St, bright zinc-plated
 m = 208.0 g

1 set

0.0.660.46



Roller D39.5-25

- Reliable guidance for moving assemblies
- Robust and durable thanks to ball bearings

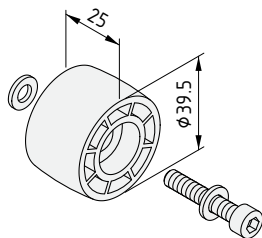
It keeps everything on track! Robust Roller D39.5-25 features a ball bearing and is designed to run on aluminium profiles to provide sound guidance for moving components. It is ideal for building Karakuri/LCA.

Using the accessories in the scope of supply, Roller D39.5-25 can be fitted to a Profile 6 D30, either via the end face (M6 thread) or via the groove (using a T-Slot Nut). Alternatively, it can be secured in place using an item Multiblock D30.



Note:

During installation, always use both the supplied washers to ensure the Roller runs smoothly.



Roller D39.5-25

Roller D39.5-25
 2 deep groove ball bearings, sealed
 Hexagon Socket Head Cap Screw DIN 912-M6x33, St, bright zinc-plated
 2 washers DIN 125-6.4, St, bright zinc-plated
 m = 49.0 g

1 set

0.0.673.55



Lean work bench design

Customised work benches made easy! The Lean Production Building Kit System offers everything needed to design custom tables or integrate table tops into frames. Profile Tubes D30 can be used to construct lean work benches that are tailored precisely to the working process. Frames can be fitted with feet and utilised in a stationery capacity, or equipped with castors to make them mobile. Whichever option you choose, Threaded Inserts make it easy to create a secure fixing.

To ensure work can be completed efficiently, tools and working materials need to be in easy reach. The comprehensive Hook and Holder System offers solutions for every need and every tool, whether screwdrivers, pliers or even cloths. Combining Parts Containers and Grab Containers with tiltable Container Profile D30 produces an especially ergonomic arrangement.

Meanwhile, item labelling solutions keep everything clearly organised by helping mark out storage areas and display important notices where they can be easily seen. Replaceable cards can be used for labelling purposes thanks to transparent holders that can be mounted directly on profiles or suspended underneath them.

Lean work benches can also be fitted out with useful accessories such as monitors. All the necessary cables can be laid in next to no time when using Cable Guide Profile D30, which simply clips onto a Profile Tube D30 with no need for drilling. Cables and lines can be routed safely and cleanly through two separate conduits.

Note: Table-Top Fastening Sets and other fastening elements for attachments can be found in the section on fastening elements.

Products in this section



Container Profile D30

- For semi-open fronted boxes with mounting lugs
- Includes Line 8 groove as a universal fastening for accessories

225



End Caps D30 H43

- Raised end piece
- Keep hanging parts in place during transport
- Thick-walled, safe holder

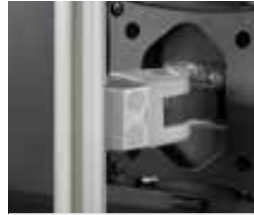
227



Hook and Holder Adapter D30

- For fastening parts from the comprehensive hook and holder range of the item Work Bench System

228



Monitor Mounting Joint D30 VESA 75-100

- Two pivotable axes
- For flatscreen monitors with a VESA mounting

230



Cable Guide Profile D30

- Two conduits for cables
- Installs in seconds
- Creating outlets is easy

231



Universal Holder D30

- Fit cables and lines in no time
- Bracket for cable ties
- Holds without any drilling

232



Label Profile D30 e ESD

- Clear labelling for storage areas
- For 30 mm-tall labels
- ESD-safe

233



Fastening Profile D30 0-20° e ESD

- Enables clear labelling at various angles
- ESD-safe

233



Label Hanger D30

- Suspends Label Backplates under the profile
- For labels up to 2000 mm wide

234



Display Hanger H57 31.2x1.5-93 ESD

- Holder profile for E-Paper Displays
- Designed to suit many models from SoluM
- ESD-safe design

236



Label Holder D30

- Transparent holder for labels
- Two variants: Labels mounted directly on the tube or in a pocket underneath it

237

Container Profile D30

- For semi-open fronted boxes with mounting lugs
- Ergonomic removal with two angles
- Includes Line 8 groove as a universal fastening for accessories



Helping you keep all your small parts in reach! The versatile Container Profile D30 is used to organise semi-open fronted boxes with mounting lugs. Thanks to two different edge thicknesses, a Line 8 groove and the option of mounting it in two different angles, Container Profile D30 is well prepared for all purposes and systems.

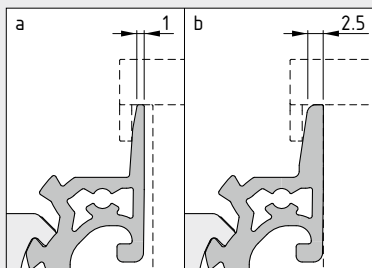
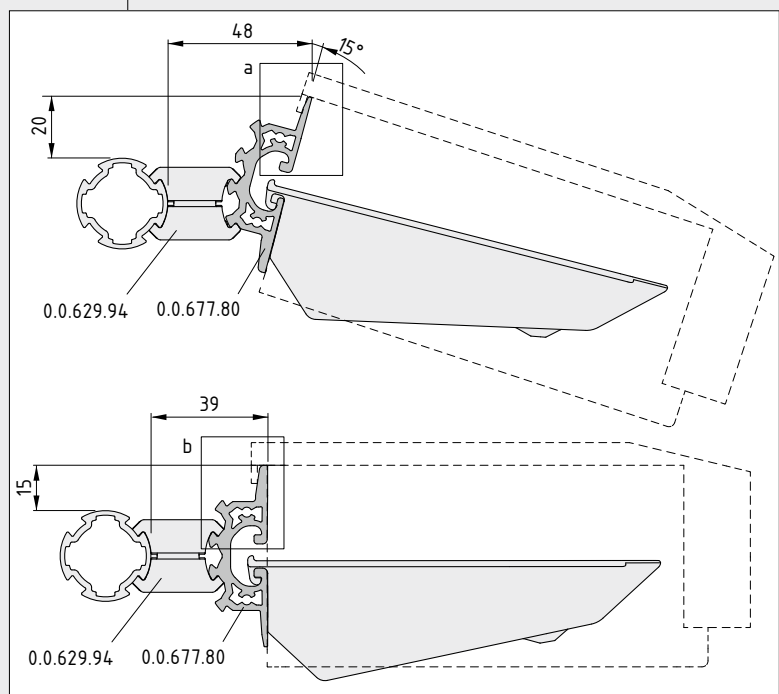
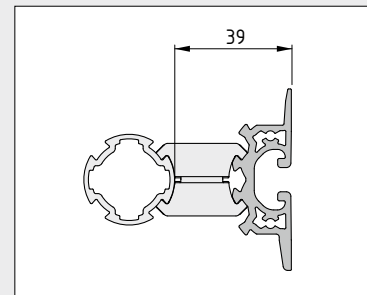
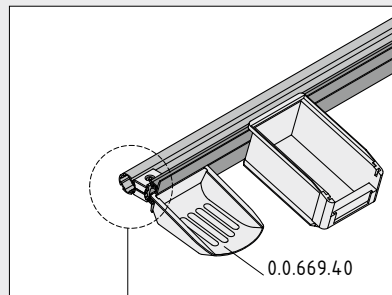
In manual production, screws, nuts and other small parts are stored in semi-open fronted boxes from a wide range of suppliers. Using their mounting lugs, these containers can simply be hung on the Container Profile and then removed again as necessary. The aluminium edges ensure a secure hold. Containers of C-parts can thus be moved around securely in transport trolleys.

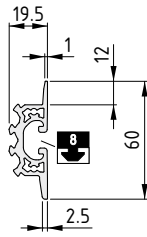
To ensure small parts can be picked ergonomically, Container Profile D30 can be installed at a 90° angle or with a 15° incline. The profile is connected at the rear, e.g. using a Transverse Fastener D30.

The groove on the front is best used for accommodating item Parts Containers, Grab Containers and other accessories.

Cap Set, Container Profile D30 seals off the end face of the profile cleanly and safely.

To allow users to hang semi-open fronted boxes with mounting lugs along the top, Container Profile D30 has two different edges. One is 1 mm thick and the other is 2.5 mm thick. When installing the profile, it is important to ensure the right edge for the container system you are using is at the top.



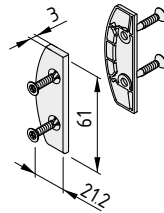


Container Profile D30



Al, anodized

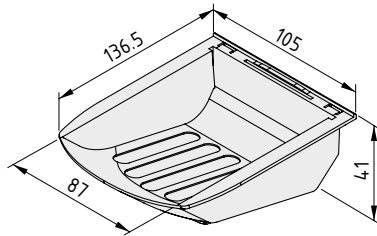
A [cm ²]	m [kg/m]	I _x [cm ⁴]	I _y [cm ⁴]	I _t [cm ⁴]	W _x [cm ³]	W _y [cm ³]
3.78	1.02	7.57	1.33	0.43	2.44	1.16
natural, cut-off max. 3000 mm						0.0.677.80
natural, 1 pce., length 3000 mm						0.0.676.58



Cap Set, Container Profile D30

2 Caps, Container Profile D30, PA-GF
4 Countersunk Screws self-tapping 3.9x19, TX20, St, bright zinc-plated
m = 11.0 g

grey similar to RAL 7042, 1 set	0.0.681.30
---------------------------------	------------



Grab Container 8 105x130



PA-GF
m = 71.0 g

grey similar to RAL 7042, 1 pce.	0.0.664.35
blue similar to RAL 5017, 1 pce.	0.0.669.43
yellow, similar to RAL 1023, 1 pce.	0.0.669.41
green similar to RAL 6024, 1 pce.	0.0.669.42
red similar to RAL 3020, 1 pce.	0.0.669.40

Grab Container 8 105x130 ESD



PA-GF
m = 68.0 g

black similar to RAL 9005, 1 pce.	0.0.664.40
-----------------------------------	------------



End Caps D30 H43

- Raised end piece
- Keeps hanging parts in place during transport
- Thick-walled, safe holder

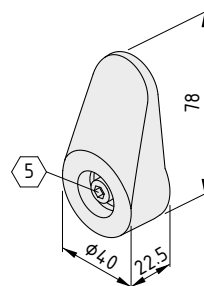
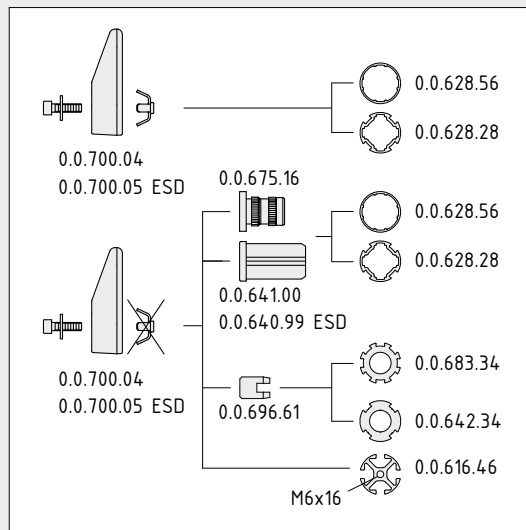


Making sure everything stays in place! End Cap D30 H43 is a raised end piece for (Profile) Tubes. It ensures that cables or rubber door seals that have been draped over a profile won't slide off the end. The thick-walled design with rounded edges ensures products aren't damaged when removed. This product can turn any cylindrical D30 aluminium profile into a large hook.

The End Cap is simply screwed onto the end face of a Tube D30 or Profile Tube D30 using the preassembled claw fixing. This produces a torsion-resistant connection without the need for any additional steps. The claw of the fixing can also be removed so the End Cap can be screwed to an M6 thread in Profile Tube D30 heavy duty or Profile 6 D30. This also removes the anti-torsion feature.



End Cap D30 H43 ESD (0.0.700.05) is available for ESD-safe transport trolleys and racks.



End Cap D30 H43

Preassembled
End Cap D30 H43, PA-GF
Internal fastener D30 claw
Hexagon Socket Head Cap Screw DIN 912 M6x22, St, bright zinc-plated
Washer, St, bright zinc-plated
m = 47.8 g

grey similar to RAL 7042, 1 pce.

0.0.700.04

End Cap D30 H43 ESD



Preassembled
End Cap D30 H43, PA-ESD
Internal fastener D30 claw
Hexagon Socket Head Cap Screw DIN 912 M6x22, St, bright zinc-plated
Washer, St, bright zinc-plated
m = 48.3 g

black similar to RAL 9005, 1 pce.

0.0.700.05

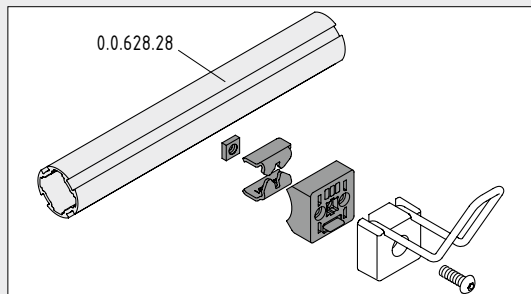


Hook and Holder Adapter D30

- Easy, rapid access to tools
- For fastening the Hook and Holder System to (profile) tubes

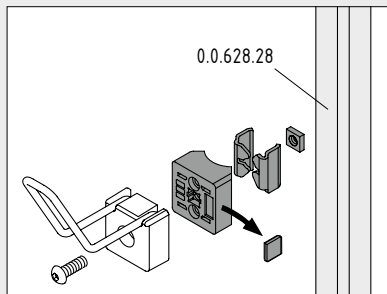
Multifunctional and award-winning design: The item Hook and Holder System is renowned for its combination of form and function. The holder components help you organise tools and working materials with the greatest of ease. Everything can be arranged clearly and to suit your specific requirements.

Hook and Holder Adapter D30 is fastened to a Profile Tube D30 without the need for any machining. To fasten it to a Tube D30, the retaining plates of the Adapter need to be removed. It can then be fixed in place using two self-tapping Button-Head Screws. The required hook or holder is then screwed to the Adapter using its own screw.

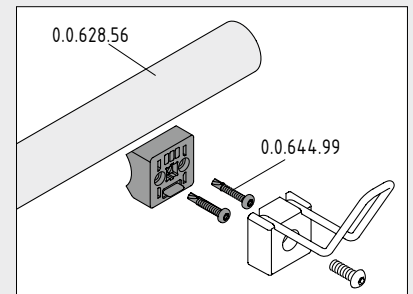


Hook and Holder Adapter D30 is fixed to Profile Tubes D30 without the need for any machining. The retaining plates utilise the flank geometry and hold the Adapter securely.

Recommended tightening torque for fastening screw:
T = 5 Nm



When connecting to vertical struts, the removable anti-torsion feature in the plastic block of the Hook and Holder Adapter must be removed.

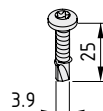
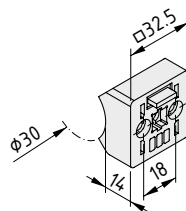


The adapter can also be fastened to Tube D30. Self-tapping screws (0.0.644.99) are used in this case. The retaining plates must be removed from the adapter.



Note:

All hooks and holders can be found in the Comprehensive Catalogue for the ergonomic item Work Bench System or online at: item24.de/en/tool-handling



Hook and Holder Adapter D30

Adapter D30, PA-GF
2 plates, St, bright zinc-plated
Square nut DIN 562-M6-04, St, bright zinc-plated
m = 26.0 g

black, 1 set

0.0.645.27

grey, 1 set

0.0.644.57

Button-Head Screw, self-tapping St 3.9x25, TX20

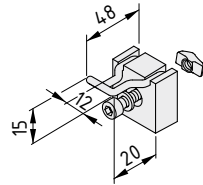
St, bright zinc-plated
m = 1.9 g

1 pce.

0.0.644.99

The following applies to all the products below:

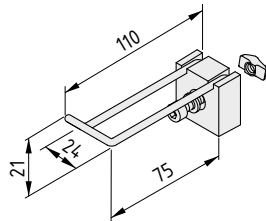
Wire, St, stainless
 Wire mount, PA-GF
 Hexagon Socket Head Cap Screw DIN 912-M6x20, St, bright zinc-plated
 Washer DIN 433-6.4, St, bright zinc-plated
 Automatic T-Slot Nut V 8 St M6, stainless



Hook 8 40x20



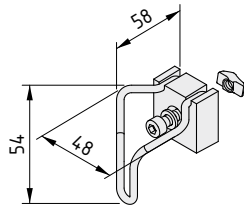
m = 48.0 g	
black, 1 set	0.0.624.30
grey, 1 set	0.0.634.74



Hook 8 80x20



m = 61.0 g	
black, 1 set	0.0.624.29
grey, 1 set	0.0.634.83



Cloth Holder 8



m = 58.0 g	
black, 1 set	0.0.624.27
grey, 1 set	0.0.634.81

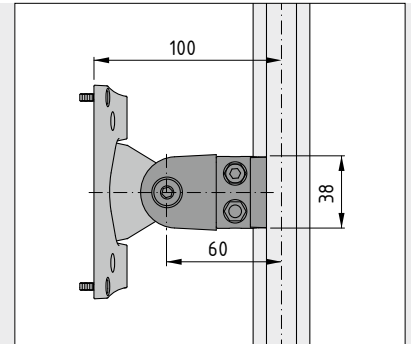
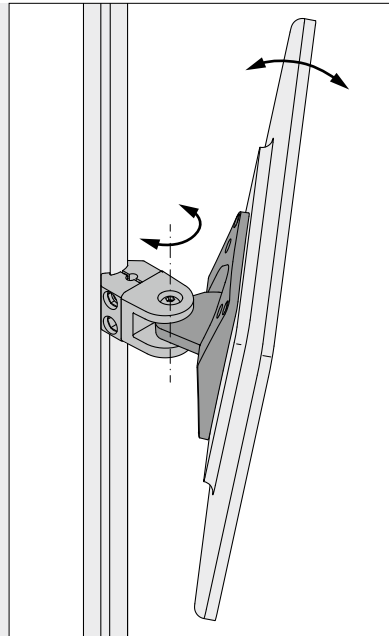


Monitor Mounting Joint D30 VESA 75-100

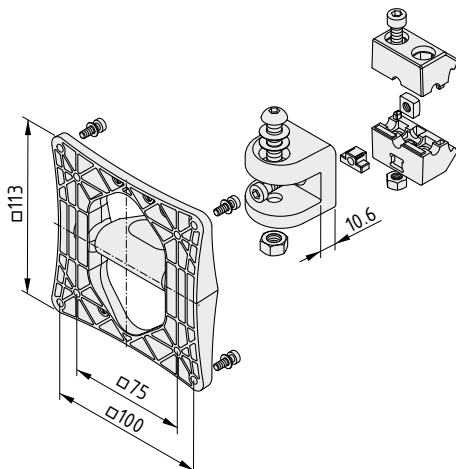
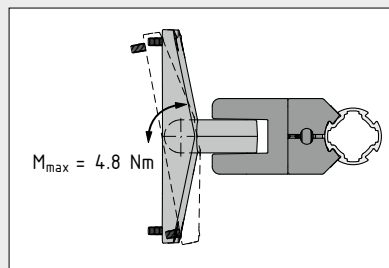
- Two pivotable axes
- For flatscreen monitors with a VESA mounting
- Connects directly to the Profile Tube D30

The best hold for the best view! Monitor Mounting Joint D30 VESA 75-100 is used to secure flatscreen monitors directly to Profile Tubes D30. As a result, displays can be used on racks and work benches.

To make displays easier to read, the joint can be pivoted in two directions, meaning the monitor can be pivoted and tipped. The integrated adapter corresponds to the VESA 75 and 100 standards.



Monitor Mounting Joint D30 VESA 75-100 features two independent joints. As a result, it can be used to pivot the screen to the side and tip it to find the right viewing angle.



Monitor Mounting Joint D30 VESA 75-100

Monitor Adapter 8 pivotable, VESA-plate, black
 2 Multiblock clamp halves, GD-Al
 Fastening materials
 m = 289.0 g

1 set

0.0.671.22



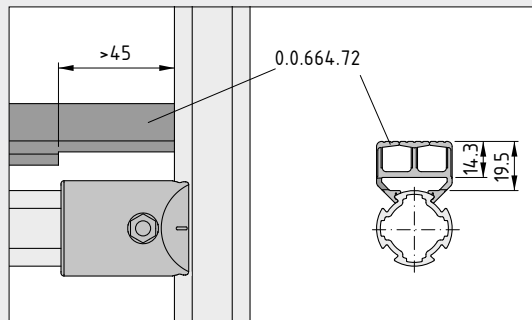
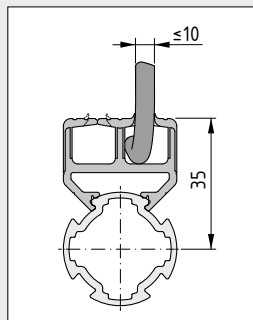
Cable Guide Profile D30

- Two conduits for cables
- Installs in seconds
- Outlets are easy to form

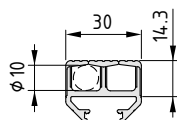
Laying cables and hoses really can be a quick and easy job! Cable Guide Profile D30 clips onto Profile Tube D30 with no need for drilling.

Cables and lines can be routed neatly through two separate conduits. To route the cables back out, simply break through the top of the profile. The two flexible lid sections give at any point to provide an opening, but still envelop the cable to keep dust and dirt out of the conduit. The profile can also be opened up along its entire length.

Cables can even be laid around corners by pushing Cable Guide Profiles up against each other. To do this, the clip geometry on the underside simply has to be cut off with pliers so that the conduit can fit over the Fastener D30.



A section has to be cut away from the underside of the Cable Guide Profile so that it can fit perfectly over the contours of Fastener D30. This cutaway section must be at least 45 mm long and must be made at a height of between 14.3 and 19.5 mm.



Cable Guide Profile D30

PVC
m = 340.0 g/m

grey similar to RAL 7042, 1 pce., length 2000 mm

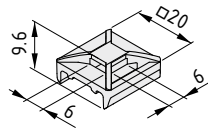
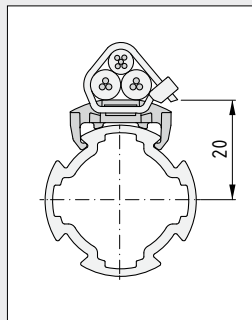
0.0.664.72



Universal Holder D30

- For fixing cables
- Simply clips into place

A small clip with a big effect! Universal Holder D30 is the fastest way to secure cables and lines neatly to a Profile Tube. Simply clip it into place and it holds firm - no drilling necessary. Its openings provide a secure anchor point for cable ties up to 5 mm in width.



Universal Holder D30

PA
m = 1.0 g

grey similar to RAL 7042, 1 pce.

0.0.671.98



Label Profile D30 e ESD Fastening Profile D30 0-20° e ESD

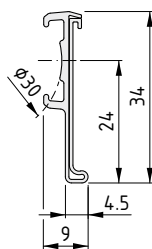
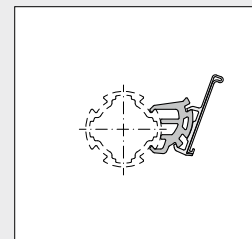
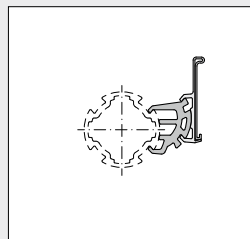
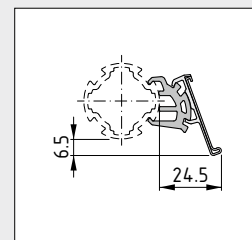
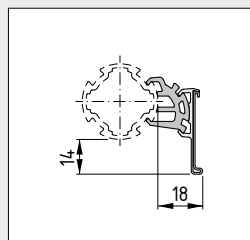
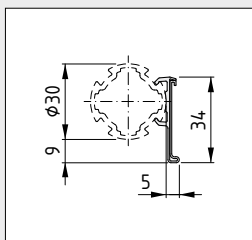
- Clear labelling for storage areas
- Installation at various angles
- ESD-safe



Always know where things are! Fastening Profile D30 0-20° e ESD and Label Profile D30 e ESD help you maintain an overview during even the trickiest installation scenarios. The Label Profile can either be clipped directly to the flank of a Profile Tube D30 or can be installed on the Fastening Profile.

The geometry of the Fastening Profile allows you to fit labels angled at 0° or 20° up or down. This ensures labels are always clearly legible for compartments situated above and below the label, as well as on Profile Tubes that are twisted. Furthermore, a continuous Label Profile can be fastened along the entire length of a cross profile, even if the roller conveyor fastening brackets of a FIFO rack take up some sections. To achieve this, the Fastening Profile is fitted in sections.

The asymmetrical design of the strip ensures that neither the holder nor the label protrude over the top edge of the profile, which would put them at risk of being torn off. Labels can be 30 mm high and can be easily slotted into place from above thanks to a wide opening angle. Even if Label Profile D30 e ESD is inverted 180°, the label will not drop out.



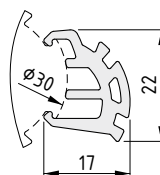
Label Profile D30 e ESD



ABS-ESD
m = 69.0 g/m

transparent, 1 pce., length 2000 mm

0.0.691.83



Fastening Profile D30 0-20° e ESD



PP-ESD
m = 102.0 g/m

black similar to RAL 9005, 1 pce., length 2000 mm

0.0.691.79



Label Hanger D30 Label Hanger Clip D30

- Space-saving fastening
- Simple to fit
- Easy to move

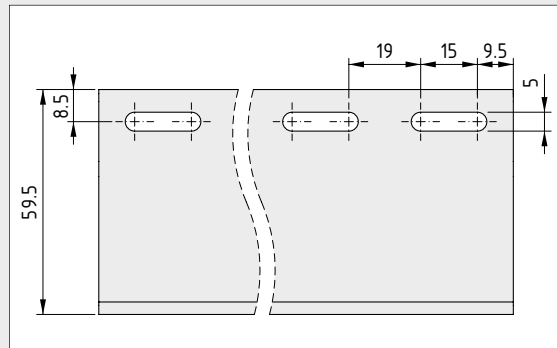
Order and speed with minimal space requirements: Label Hangers D30 are fastened in place using Label Hanger Clip D30 and hang down under the (profile) tube. This leaves the profile itself free for other uses. The label can easily be used elsewhere if storage locations are changed around, for example.

The practical Label Hanger is available in two widths. Both variants protect cards or strips of paper safely with tough PVC. The transparent hangers are open along the top edge, thereby ensuring labels can be inserted with ease.

Label Hanger D30-100 is 102 mm wide and can be secured to a Clip using the pre-perforated slots.

Label Hanger Profile H42 can be used to mount labels in any length up to 2000 mm.

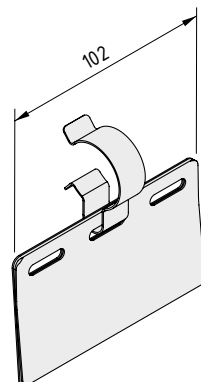
Depending on length and the stress on the hanger, one or more Label Hanger Clips D30 can be used. The reusable fixing is simply clipped on and holds firm with no need for a screw fixing.



Modular dimension of Label Hanger Profile H42, which can be cut to size.

The Display Hanger and Display Hanger Profile H57 31.2x1.5 ESD are suspended from frames using Label Hanger Clip D30 T2. Label Hanger Clip D30 T2 features a rounded upper half that does not have the top insertion tab found on Label Hanger Clip D30. When working with racks, this makes it easier to pull containers out over the profile.

Clip T2 can also be used to fasten in place Label Hanger Profile H42 (0.0.654.91) for label cards.

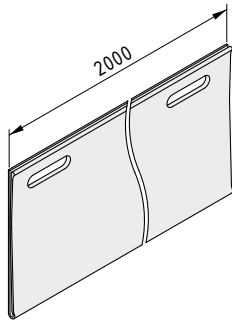


Label Hanger D30-100

Label Hanger Profile H42, 100 mm, PVC, transparent
Label Hanger Clip D30, St, bright zinc-plated
m = 21.0 g

1 set

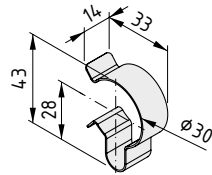
0.0.654.92



Label Hanger Profile H42

PVC
 m = 116.5 g/m
 transparent, 1 pce., length 2000 mm

0.0.654.91

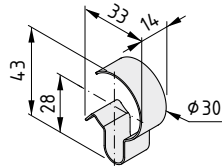


Label Hanger Clip D30

St, bright zinc-plated
 m = 9.0 g

1 pce.

0.0.654.93



Label Hanger Clip D30 T2

St, bright zinc-plated
 m = 8.0 g

1 pce.

0.0.704.54





Display Hanger H57 31.2x1.5-93 ESD Display Hanger Profile H57 31.2x1.5 ESD

- Holder profile for E-Paper Displays
- Designed to suit many models from SoluM
- ESD-safe design



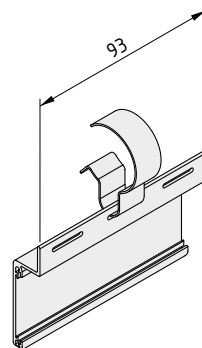
The Display Hanger and Display Hanger Profile H57 31.2x1.5 ESD are suspended from frames using Label Hanger Clip D30 T2. Label Hanger Clip D30 T2 features a rounded upper half that does not have the top insertion tab found on Label Hanger Clip D30. When working with racks, this makes it easier to pull containers out over the profile.

Clip T2 can also be used to fasten in place Label Hanger Profile H42 (0.0.654.91) for label cards.



Organisation made simple! Display Hanger Profile H57 31.2x1.5 ESD is a practical mounting system for electronic shelf labels. These battery-operated displays are digital labelling solutions for use in warehouses. They support interactive barcode and price displays, consume very little power and can have their labels changed via radio or WLAN.

The Display Hanger Profile can be cut to custom lengths. Display Hanger H57 31.2x1.5-93 ESD has been designed for the dimensions of the 93 mm E-Paper system from SoluM. The rectangular housing of the E-Paper clips into the hanger, which means it can then be easily and securely fastened to tube constructions.



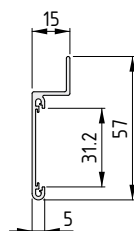
Display Hanger H57 31.2x1.5-93 ESD



Display Hanger Profile H57 31.2x1.5 ESD
Label Hanger Clip D30 T2
m = 21.0 g

1 set

0.0.701.74



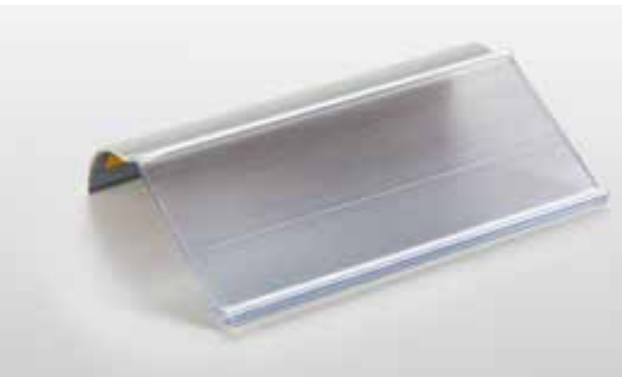
Display Hanger Profile H57 31.2x1.5 ESD



PP-ESD
m = 112.0 g/m

black, 1 pce., length 2000 mm

0.0.698.94



Label Holders D30

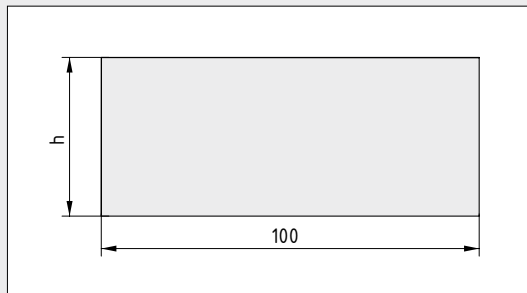
- Simply stick on
- Minimum space requirements
- Available in two variants

Clear markings keep everyone on track. Legible and fixed labels reduce error rates and increase efficiency.

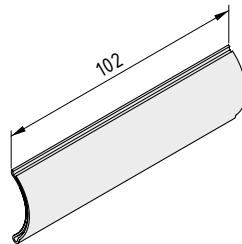
The Label Holders enable users to attach labels to Profiles and Tubes D30 by keeping labelling cards securely encased in transparent film.

Two versions are available – one for attaching labels directly to the (Profile) Tube D30 and one for suspending labels below, in a flexible transparent pocket (“flex” version). Both are permanently glued to the profile.

Label Holders D30 are available ready-cut or as a profile that can be cut to size as required.



Recommended size of label cards:
 Label Holder D30: h = 28 mm
 Label Holder D30 flex: h = 42 mm

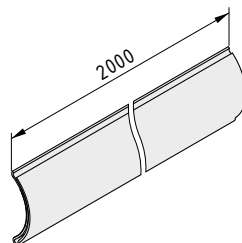


Label Holder D30-100

PVC
 Self-adhesive
 m = 7.0 g

transparent, 1 pce., length 100 mm

0.0.644.69

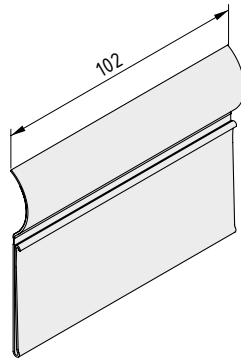


Label Holder D30

PVC
 Self-adhesive
 m = 66.5 g/m

transparent, 1 pce., length 2000 mm

0.0.643.97

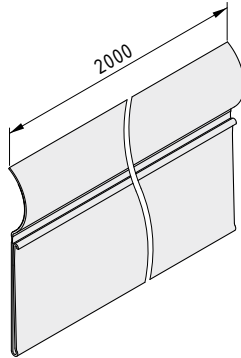


Label Holder D30-100 flex

PVC
Self-adhesive
m = 13.0 g

transparent, 1 pce., length 100 mm

0.0.644.71

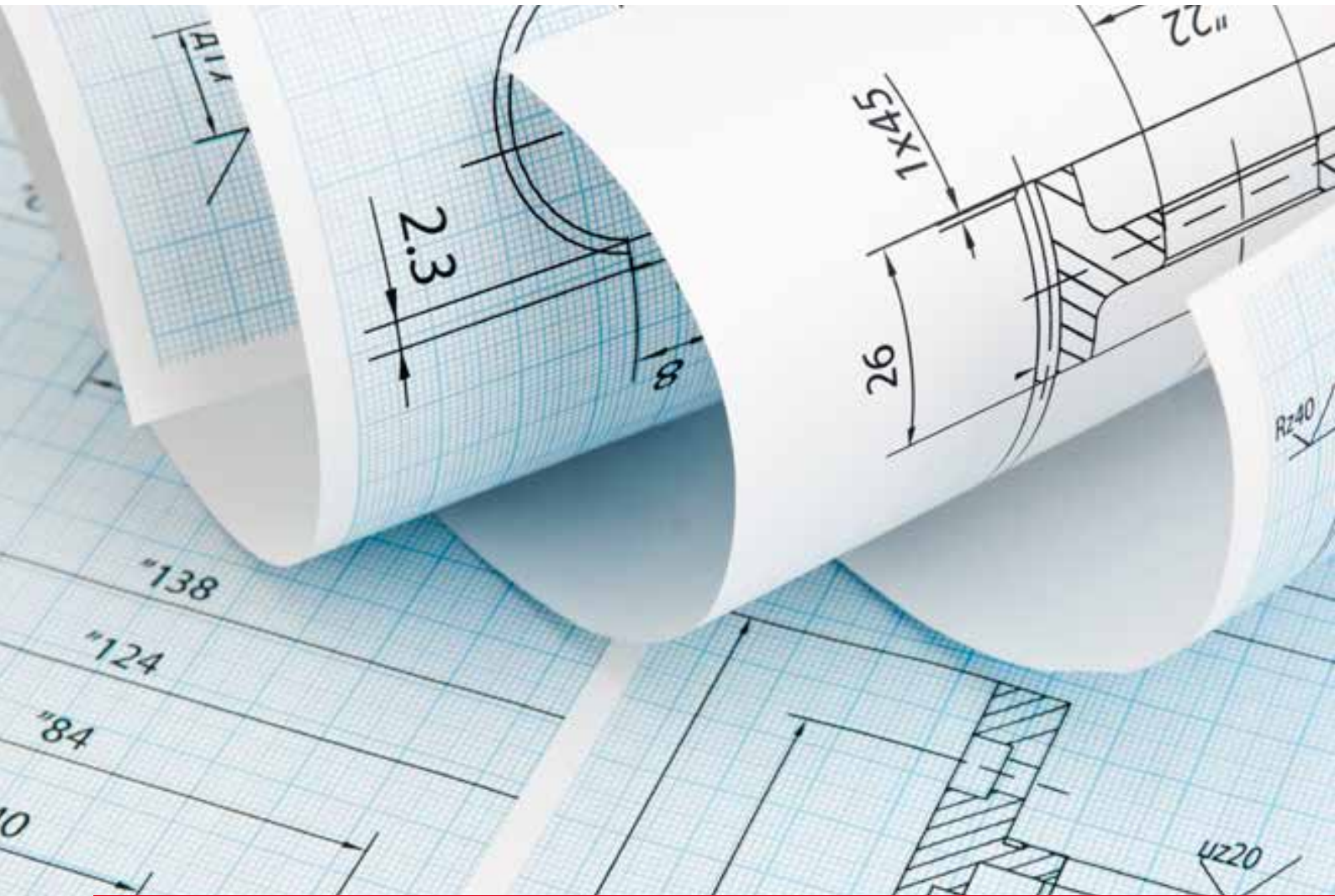


Label Holder D30 flex

PVC
Self-adhesive
m = 128.0 g/m

transparent, 1 pce., length 2000 mm

0.0.643.98



Technical data

Profiles and accessories

All the loading values stated in this catalogue incorporate safety factors to protect against slipping and material failure. A safety factor of >2 is always applied. This means that users can make full use of the permissible values.

Note: All loading values apply to static loads. Where dynamic loads are involved, the maximum values should be viewed as comparative values.

Extruded Profile

Symbol Al Mg Si 0.5 F 25
 Material number 3.3206.72
 Status: artificially aged

Mechanical values (apply only in pressing direction)

Tensile strength R_m	min. 245 N/mm ²
Yield point $R_{p0.2}$	min. 195 N/mm ²
Density	2.7 kg/dm ³
Ductile yield A_5	min. 10 %
Ductile yield A_{10}	min. 8 %
Linear coefficient of expansion	23.6x10 ⁻⁶ 1/K
Modulus of elasticity E	approx. 70000 N/mm ²
Modulus of rigidity G	approx. 25000 N/mm ²
Hardness	approx. 75 HB-2.5/187.5

Tolerances

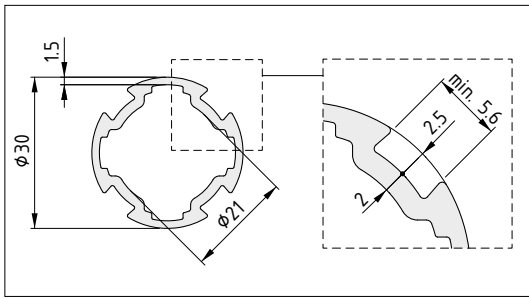
Deformations such as straightness and flatness tolerance to DIN EN 12020 Part 2.

Profiles not cut to size may be up to 100 mm longer than specified, due to manufacturing methods.

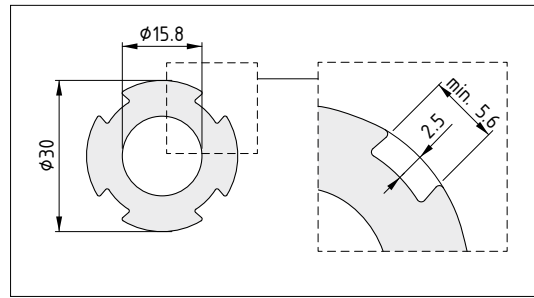
Surface

The aluminium profiles are natural (C0) anodized and are therefore permanently resistant to scratching and corrosion. The surface features a matt finish (E6), is treated with anodic oxidation and is compressed. Minimum layer thickness 10 μ m, layer hardness 250–350 HV. The all-round hard anodized surface covering makes saw cuts virtually burr-free, thereby eliminating the need for remachining.

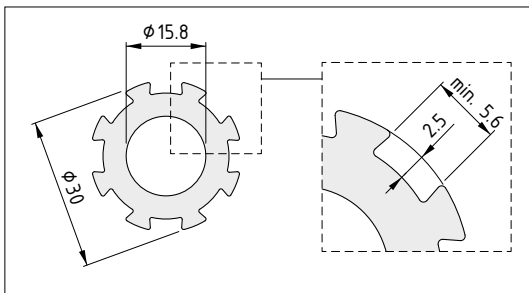
Profile Tube D30



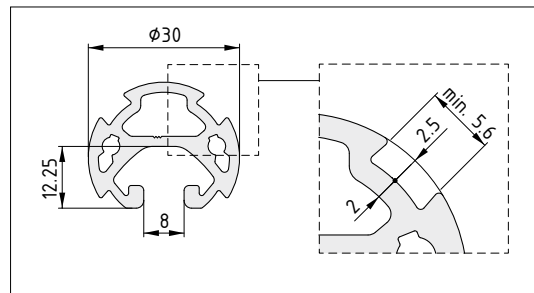
Profile Tube D30 heavy duty



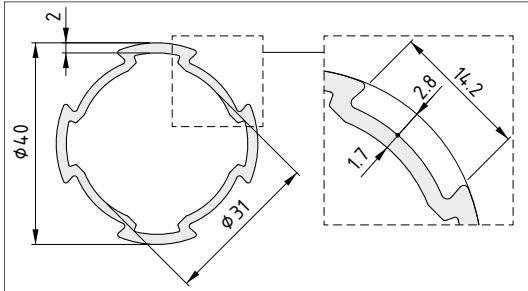
Profile Tube D30-45° heavy duty



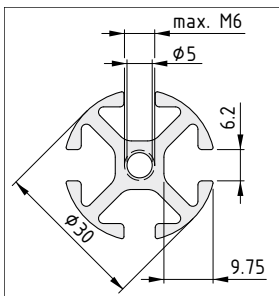
Profile Tube 8 D30



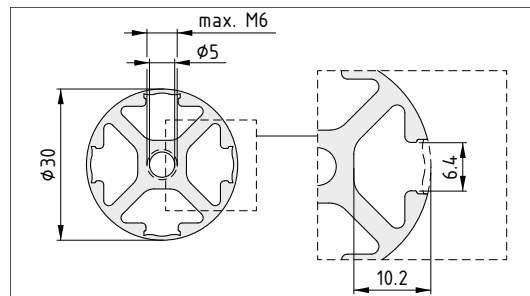
Profile Tube D40/D30



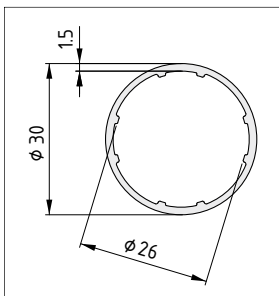
Profile 6 D30



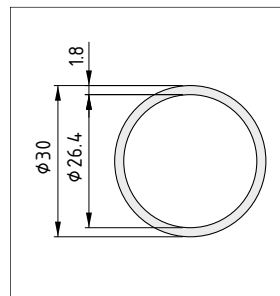
Profile 6 D30 4NO



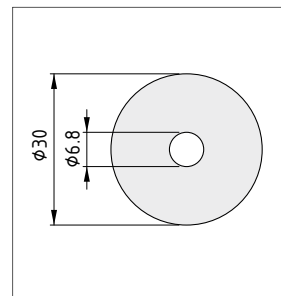
Tube D30



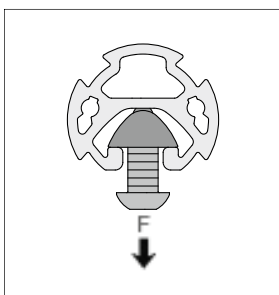
Tube D30x1.8 KU



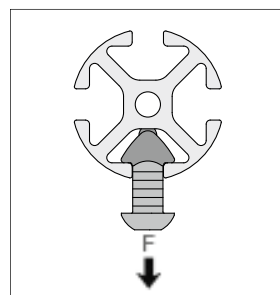
Tube KH D30x11.6



Tensile loading



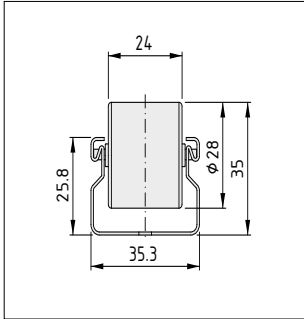
$F_{max} = 3500 \text{ N}$



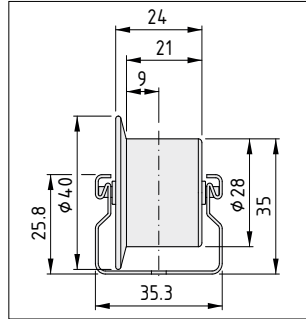
$F_{max} = 1500 \text{ N}$

Roller conveyors

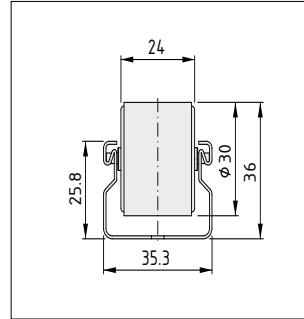
Roller Conveyor St D30



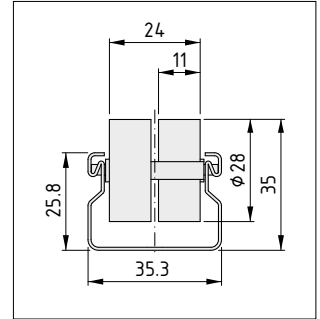
Roller Conveyor St D30 with Flanged Wheel



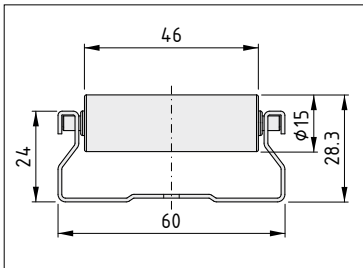
Roller Conveyor St D30 with Steel Tyres



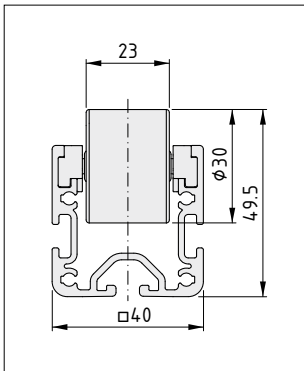
Roller Conveyor St D30/2



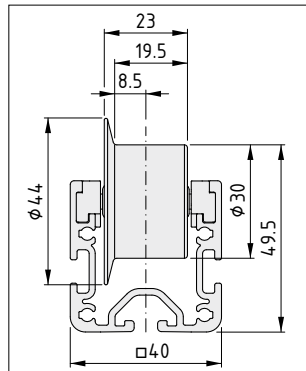
Roller Conveyor St 60x24 D15



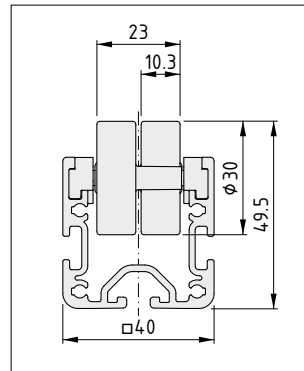
Roller Conveyor 6 40x40 E D30



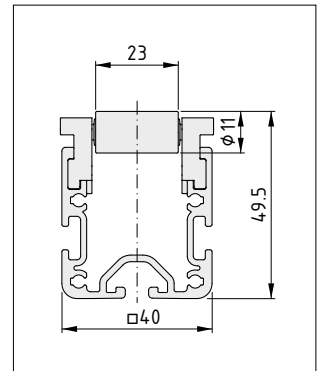
Roller Conveyor 6 40x40 E D30 with Flanged Wheel



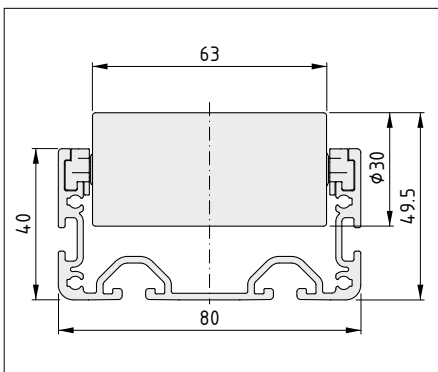
Roller Conveyor 6 40x40 E D30/2



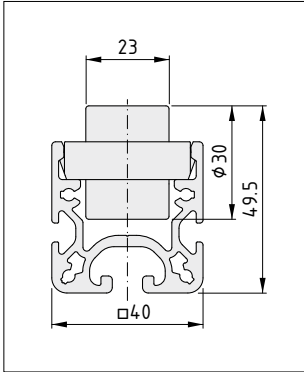
Roller Conveyor 6 40x40 E D30 D11



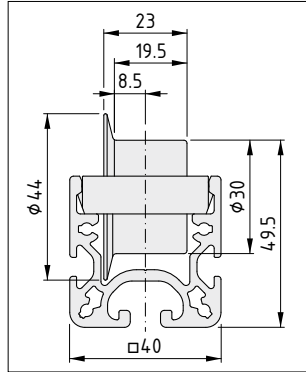
Roller Conveyor 6 80x40 E D30



Roller Conveyor 8 D30



Roller Conveyor 8 D30 with Flanged Wheel



Mounting dimensions of Roller Conveyors St and Al, including Fastening Brackets

	Roller Conveyor St D30	Roller Conveyor St 60x24 D15
	<p>a = 17 mm 0.0.642.47</p> <p>b = 23 mm</p> <p>c = 14 mm</p> <p>d = 20.5 mm</p>	<p>a = 18 mm 0.0.674.02</p> <p>b = 24 mm</p> <p>c = 7 mm</p> <p>d = 22.5 mm</p>
	<p>a = 18 mm 0.0.647.07 0.0.647.06</p> <p>b = 24 mm</p> <p>c = 13 mm</p> <p>d = 22 mm</p>	
	<p>a = 17 mm 0.0.642.46</p> <p>b = 11 mm</p> <p>c = 48 mm</p> <p>d = 20.5 mm</p>	
	<p>a = 17 mm 0.0.652.46</p> <p>b = 26 mm</p> <p>c = 63 mm</p> <p>d = 20.5 mm</p>	<p>a = 17.5 mm 0.0.674.03</p> <p>b = 25 mm</p> <p>c = 56 mm</p> <p>d = 22.5 mm</p>
	<p>a = 66 mm 0.0.658.17</p> <p>b = 23 mm</p> <p>c = 14 mm</p> <p>d = 20.5 mm</p> <p>e = 13 mm</p>	<p>a = 66 mm 0.0.681.84</p> <p>b = 24 mm</p> <p>c = 7 mm</p> <p>d = 22.5 mm</p> <p>e = 14.5 mm</p>
	<p>a = 22 mm 0.0.687.62</p> <p>b = 22 mm</p> <p>c = 15 mm</p> <p>d = 33.5 mm</p>	
	<p>a = 71 mm 0.0.687.61</p> <p>b = 31.5 mm</p> <p>c = 5.5 mm</p> <p>d = 34 mm</p> <p>e = 19 mm</p>	

Roller Conveyor 6 40x40 E D30	Roller Conveyor 6 80x40 E D30	Roller Conveyor 8 D30
a = 17 mm b = 23 mm c = 28.5 mm d = 18 mm 		a = 17 mm b = 23 mm c = 28.5 mm d = 18 mm
a = 18 mm b = 23 mm c = 28.5 mm d = 22 mm 	a = 17.5 mm b = 23 mm c = 29 mm d = 22.5 mm 	a = 18 mm b = 23 mm c = 28.5 mm d = 22 mm
a = 18 mm b = 23 mm c = 29 mm d = 22.5 mm 	a = 18 mm b = 23 mm c = 29 mm d = 22.5 mm 	
a = 17 mm b = 26 mm c = 77.5 mm d = 20.5 mm 	a = 17.5 mm b = 26 mm c = 78 mm d = 22.5 mm 	a = 17 mm b = 26 mm c = 77.5 mm d = 20.5 mm
a = 66 mm b = 23 mm c = 28.5 mm d = 18 mm e = 14 mm 		a = 66 mm b = 23 mm c = 28.5 mm d = 18 mm e = 14 mm

Helpful complementary elements from the item MB Building Kit System

You can enhance your constructions with components from the MB Building Kit System. Here is a selection of frequently used profiles and parts.



Profile 6 30x30 light	0.0.419.06
Profile 8 40x40 light	0.0.026.33
Profile 8 80x40 light	0.0.026.34



T-Slot Nut 6 St M5	0.0.419.43
T-Slot Nut 6 St M6	0.0.419.40
T-Slot Nut 8 St M5	0.0.420.05
T-Slot Nut 8 St M6	0.0.026.23
T-Slot Nut 8 St M8	0.0.026.18



Bracket 6 30 flat	0.0.677.74
Bracket 8 40 flat	0.0.666.35



T-Slot Roller 8 L	0.0.457.60
T-Slot Roller 8 F	0.0.457.51



Castor 6	0.0.419.79
Castor 8	0.0.026.83



Runner 8	0.0.026.13
Runner 8 80x40	0.0.618.97



Shelf 8 200-600	0.0.627.00
-----------------	------------



LED Light Fitting 15W 80x32x300	0.0.659.97
---------------------------------	------------



Magnetic Holder 8	0.0.627.86
-------------------	------------

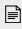


Tool Holder 8	0.0.474.50
---------------	------------


Further details and products can be found in the Comprehensive Catalogue for the MB Building Kit System and online at: item24.de/en/mb

Find useful products faster – an overview of popular search entries

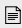


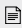
Tube Protector D30 Fixing Clip  30
0.0.654.04




Tube End Cap D30  32
0.0.643.96



Anti-Torsion Block 6 D30-45°  16
0.0.630.40

Anti-Torsion Block 6 D30  16
0.0.630.39




Tube Adapter D30  60
0.0.630.61



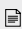
Adapter 6 30x30/D30  65
0.0.656.32



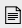
Adapter D30/D28-37  69
0.0.638.88



Threaded Insert D30 M6  73
0.0.641.00

Thread. Insert, Prof. Tube heavy duty M12  76
0.0.648.64



Panel-Fixing Profile D30 3-5mm  78
0.0.649.29




Flange D30-90x90  99
0.0.655.54



Bracket 6 D30  87
0.0.658.26




Hook and Holder Adapter D30  228
0.0.644.57




Label Hanger D30-100  234
0.0.654.92

Label Holder D30-100 flex  238
0.0.644.71




Slide Strip D30  183
0.0.634.42



Brush Strip D30 T1  185
0.0.653.01




Protective Profile D30 R28-90°  27
0.0.667.15



Cable Guide Profile D30  231
0.0.664.72




Universal Holder D30  232
0.0.671.98



Slide Strip D30 with Side Guide H13  184
0.0.671.30



Roller Conveyor St Fastening Bracket Adapter Sleeve D30 ESD  129
0.0.648.74



Spring Clip D30/30-32  85
0.0.660.98

Alphabetical Register

A

Adapter 6 30x30/D30	65
Adapter 8 80 D30	64
Adapter 8 D30	63
Adapter D30/D28	68
Adapter D30/D28.6	68
Adjusting Screw D5/D3-M6x20	213
Angle Fastener D30	48
Anti-Torsion Blocks 6 D30	16
Assembly Tool D30/D5.2-30	181
Axles D4	163

B

Back Stop D2.8-25	134
Back Stop Insert ESD	171
Back Stops D4-23	154
Ball Joint Butt Fastener D30	50
Ball Joint Fastener 8 D30	50
Ball Joint Fastener D30	49
Ball Joint Transverse Fastener D30	50
Bearing Block 8 80x80-50	201
Bearing Block D30 100 D5-33	180
Bowden Cable D1.5	214
Bowden Cable Sheathing D5/D1.5	214
Bracing Strut D30-90°	46
Brackets D30	86
Braking Castor D30-23	153
Braking Roller Set D52-95 M6	215
Brush Inserts	173
Brush Strips D30	185
Butt Fastener D30-90° R25, internal	59
Butt Fasteners D30	51
Button-Head Screw Self-Tapping M5x16, TX25	145
Button-Head Screw, self-tapping St 3.9x16, TX20	127
Button-Head Screw, self-tapping St 3.9x25, TX20	228

C

Cable Barrel Clamp D7/D2-7 M4	214
Cable End Link D12-34	210
Cable Guide Profile D30	231
Cable Pulley Wheel D42/D6-12	209
Cap D30 F	43
Cap D30 R	38
Cap D30 R15	55
Cap Set, Container Profile D30	226
Caps 6 D30	23
Caps, Profile Tube D30 heavy duty	18
Caps, Profile Tube D40/D30	20
Caps, Tube D30	24

Cap, Profile Tube 8 D30	21
Cap, Tube KH D30	25
Castor Ball Inserts	173
Castor D30	161
Castor Inserts D30	169
Castor Rail 8 40x40	168
Castor Rail 8 40x40, Brake	170
Castor Rail 8 40x40, Slide Strip ESD	172
Castor Rail 8 Caps	177
Castor Rails 6 E	160
Castors	90
Castors D100 swivel with Connecting Plate 120x40	98
Cloth Holder 8	229
Container Profile D30	225
Conveyor Roller TR30, Bearing Flange D26.4/D5	180
Conveyor Roller TR30, Bearing Flange D27/D5	180
Cover Profile, Profile Tube D30	31

D

Display Hanger H57 31.2x1.5-93 ESD	236
Display Hanger Profile H57 31.2x1.5 ESD	236
Double Pivot Bearing Unit D30-28.5 M8	199
Double Profile Tube D30-60	19
Drawbar Coupling D25-30	191
Drawbar Coupling D25-74	189
Drawbar D25-610	190
Drawbar Locking Lever 38	189
Drawbar Stop 32	189
Drawbars D25-686	187

E

End Cap D6/D5-12	214
End Caps D30 H43	227
End Connector 8 D30-90°	61
Extension spring 1.25x12.7x121	210

F

Fastener D30	36
Fastener D30 T1	36
Fastener D30 with Clamp Lever	36
Fastener D30, internal	54
Fastener D30, internal, Connector M6-12	57
Fastener D30-45°	45
Fastener D30-45°, internal	56
Fastening Profile D30 0-20° e ESD	233
Fastening Profile D30-60	143
Fastening Ring D40/D30-10	186
Fastening Set 8 6-8mm with Hexagon Socket Head Cap Screw M8	189
Fastening Set 8 D30	62

Fastening Set 8 for Castor swivel/fixed 140x110	96	Plain Bearing D40/D30-50 ESD with anti-torsion feature	197
Fastening Set 80 D30	64	Plain Bearing Sleeve D30/D20 ESD	198
Ferrule Crimper D2	214	Plain Bearing Sleeve D40/D30 ESD	197
Ferrule Crimper D3	209	Plain Bearing Sleeve D40/D30 ESD with anti-torsion feature	197
Ferrule D2-7	214	Profile Tube 8 D30	21
Ferrule D3-11	209	Profile Tube D30 heavy duty	17
Fixed Castors	90	Profile Tube D30-45° heavy duty	17
Flange D30 90x90-80	100	Profile Tube D40/D30	20
Flange D30-90x90	99	Profile Tubes D30	14
G		Profiles 6 D30	22
Grab Containers 8 105x130	226	Protective Caps D30-9	28
Guide Rail e 4	144	Protective Caps D30-9 R28-90°	28
Guide Rail z AI	136	Protective Covers R28 for Fastener D30	28
H		Protective Profiles D30 R28-90°	27
Handle D30 KH 300	192	R	
Holder 8 D80	229	Railing Fastening Set 5-135°	176
Hook and Holder Adapter D30	228	Railing Support 8/5 100x80	176
K		Release Units D30	218
Key with T-Handle 5 A/F	38	Retaining Plate, Guide Rail e	136
L		Ring Bolt D10 M6x45	210
Label Hanger Clip D30 T2	236	Roller Conveyor 6 40x40 AI Fastening Brackets D30	149
Label Hanger Clips D30	235	Roller Conveyor 6 40x40 E D30 Brakes	152
Label Hanger D30	234	Roller Conveyor 6 40x40 E Guide Rail Slide Strip	159
Label Hanger Profile H42	235	Roller Conveyor 6 40x40 E Guide Rails	158
Label Holders D30	237	Roller Conveyor 6 80x40 Fastening Brackets D30	157
Label Profile D30 e ESD	233	Roller Conveyor 60 Fastening Brackets D30	140
Latch Bolt Set D9.5-22.5-M8	211	Roller Conveyor 8 D30	167
Levelling Knuckle Feet	101	Roller Conveyor AI, Fastening Brackets D30	174
Locking Ring D30	196	Roller Conveyor St 60x24 D15	138
Locking Ring D30 with Clamp Lever	196	Roller Conveyor St 60x24 D15 Brake	142
M		Roller Conveyor St 60, End Cap	141
Manual Trigger D30	213	Roller Conveyor St D30 Brakes	133
Monitor Mounting Joint D30 VESA 75-100	230	Roller Conveyor St Fastening Bracket 40	128
Multiblock D30	77	Roller Conveyor St Fastening Bracket 40 with Forward Stop H43	128
P		Roller Conveyor St Fastening Bracket Adapter Sleeve D30 ESD	129
Panel Fastener D30	80	Roller Conveyor St Fastening Brackets D30	124
Panel-Fixing Profiles D30	78	Roller Conveyor St Fastening Brackets D30 with Stop	126
Panel-Fixing Strips D30	78	Roller Conveyor St Guide Rails	135
Parallel Clamp D30-80	44	Roller Conveyor St, Assembly Pliers	137
Parallel Fastener D30	42	Roller Conveyor St, Butt Fastener	132
Parallel Fastener D30-60	42	Roller Conveyor St, End Cap	125
Parallel Fastener D30-60 with Clamp Lever	42	Roller Conveyor St, Supports D30	130
Pivot Bearing Set D30-28.5 M8	199	Roller Conveyor Support 30-50	131
Plain Bearing D40/D30-50 ESD	196	Roller Conveyors 6 40x40 E D30	146
		Roller Conveyors 6 80x40 E D30	155

Roller Conveyors St D30	122	Tube D30x1.8 KU	181
Roller Conveyors St D30/2	123	Tube End Caps D30	32
Roller D30/D6-16 ESD	204	Tube Holder D30	66
Roller D30/D6-16 T1 ESD	204	Tube KH D30x11.6	25
Roller D39.5-25	222	Tube Protector D30 Fixing Clip	30
Roller D46/D30-20	186	Tube Protector D30x13	30
Roller Inserts 4xD11	170	U	
Roller Set 8 D30-30 ESD	203	Universal Holder D30	232
Roller Set 8 D30-30 T1 ESD	204	W	
Roller Tracks 100 D4	164	Warning and Protective Profile D30 R28-90°	27
Rollers D11	161	Weight 0.5kg D100/D31-13	207
Rotary Latch System D9.5-120x30	211	Weight 1.25kg D128/D31-20.5	207
Rotational Damper Sets 8Nm 4kt10	201	Wire Cable Clamp D2 M3x8	214
S		Wire Cable Clamp D3 M4x10	210
Shock Absorber D30-110 15, adjustable	205		
Slide Link D30	182		
Slide Strip 48x2, plain	159		
Slide Strip Wedge Insert ESD	172		
Slide Strips D30	183		
Spacer Bushing D17/D6-12	204		
Spacer Bushings D17	210		
Spring Clip D30/30-32	85		
Steel Cable D3 sheathed	209		
Swivel Castors	90		
Swivel Locks for Swivel Castors 140x110	97		
Synthetic Fibre Cable D3	209		
T			
Table-Top Fastening Bracket D30	83		
Table-Top Fastening Set D30	82		
Table-Top Side Fastening Bracket D30	84		
Telescope Clamp D40/D30	198		
Thimble D12/D3	209		
Thimble D7/D2	214		
Threaded Inserts D30	72		
Threaded Inserts, Profile Tube D30 heavy duty	75		
Threaded Inserts, Profile Tubes D30	74		
Threaded Inserts, Profile Tubes D40	74		
Tool Balancer 10-14 kg, Synthetic Fibre Cable	217		
Tool Balancer 1-2 kg, Synthetic Fibre Cable	216		
Tool Balancer 2-3 kg, Synthetic Fibre Cable	216		
Transverse Fastener D30	39		
Transverse Fastener D30-60	39		
Transverse Fastener D30-70 rotating	41		
Tube Adapter Cap D30	60		
Tube Adapter D30	60		
Tube Clamp D30	81		
Tube D30	24		
Tube D30x1.5 CFRP	26		

The item product catalogues



Work Bench System
Manual production is more productive with the ergonomic work benches of the item Work Bench System.

item24.de/en/epaper-wbs



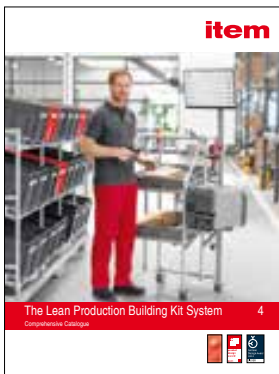
Automation System
Automation perfectly coordinated: Linear Units, Motors and Controllers combine to form ready-to-install turnkey systems.

item24.de/en/epaper-au



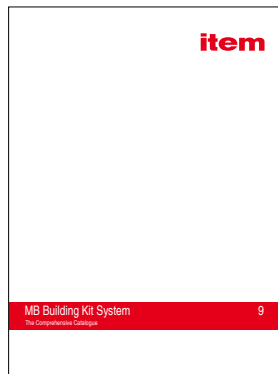
Line XMS
Complete machine modules help you build machine enclosures in record time.

item24.de/en/epaper-xm



Lean Production Building Kit System
The Lean Production Building Kit System: The simple way to build what modern lean production needs.

item24.de/en/epaper-lp



MB Building Kit System
The MB Building Kit System is the solution for all design and construction tasks involving mechanical and factory equipment engineering.

item24.de/en/epaper-mb



Stairway/Platform System
The Stairway/Platform System produces bridges and maintenance platforms in one uniform look.

item24.de/en/epaper-tp



All the information you need at your fingertips

item product catalogues are available online as clearly laid out and convenient e-papers. Take your pick and get browsing!



Always there for you.

Always up to date: Our website at item24.com offers further information on all the products and technologies that item supplies.

Patents

Any copying of protected products is a violation of these rights and, as such, shall be liable to compensation. Data and illustrations in this catalogue do not discharge the users from the obligation to carry out their own checks to determine whether the industrial property rights of third parties are infringed.

Product liability

item shall be liable, within the framework of the applicable legal provisions, for the promised characteristics of the products shown in this catalogue. Any claims for liability above and beyond such – in particular relating to products created by third parties using products included in this catalogue – are expressly excluded.

Conditions of use

The products in the item building kit systems are suitable for use in dry conditions and over the temperature range -20 °C to $+70\text{ °C}$, unless otherwise indicated. item must be consulted where products are to be used for applications outside these limits.

Conformity with Directive 2011/65/EU (“RoHS”)

item has made a voluntary undertaking to refrain from using hazardous substances as defined in Directive 2011/65/EU in the products it sells, irrespective of their subsequent purpose which, in the majority of cases, does not fall under this Directive.

Concept, design and realisation

item Industrietechnik GmbH

Photographs

item Industrietechnik GmbH

Technical modifications and errors reserved.

All rights reserved. Use of texts and illustrations or reprints of any kind only permitted with prior written consent from item. This applies in particular to reproduction, translation or use in electronic systems.

item and the item claim are a registered trademark of item Industrietechnik GmbH.

© item Industrietechnik GmbH 2021

Your distribution and service partner

item

item Industrietechnik GmbH
Friedenstrasse 107-109
42699 Solingen
Germany

Telephone +49 212 6580 0
Fax +49 212 6580 310

info@item24.com
item24.com

Your ideas are worth it.®