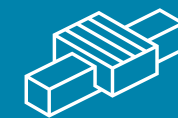




item

New Products 2022/1

NEW PRODUCT HIGHLIGHTS



Linear Unit GSF 6 60

Robust spindle drive with low-friction sliding guidance

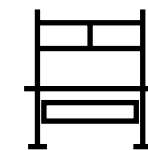
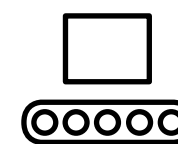


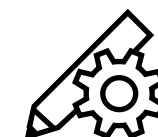
Table Column Sets K

Ergonomic height adjustment with smooth-running crank drive



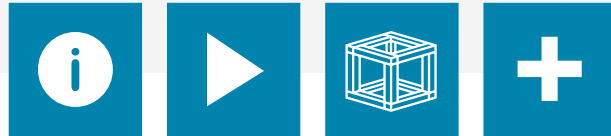
item Conveyor Belt System

Modular, reliable and suitable for integration



item Engineeringtool

Find the perfect parts even faster



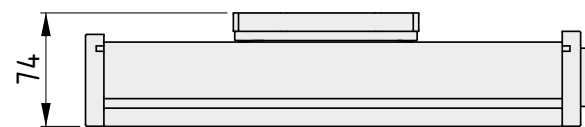
0.0.714.00

Linear Unit GSF 6 60 TR 12x3

item Linear Unit GSF 6 60 TR 12x3 combines low-friction sliding guidance with a spindle drive that features a self-locking trapezoidal thread. Thanks to integrated spindle supports, the full stroke length of up to 2800 mm can also be utilised at maximum travel speed and in continuous operation.

The maintenance-free turnkey system achieves a duty cycle of up to 1000 km. This makes the sliding rail guidance an especially economical solution for lifting tasks. An unbroken cover strip protects the inside of the aluminium support profile from soiling.

The Linear Unit is compatible with accessories for Linear Unit KGT 6 60 and its Line 6 grooves ensure compatibility with the item Building Kit System. It can be designed using the free on-line tool item MotionDesigner®.



Low-friction, strong sliding guidance

Spindle drive with self-locking trapezoidal thread

Long travel thanks to spindle supports





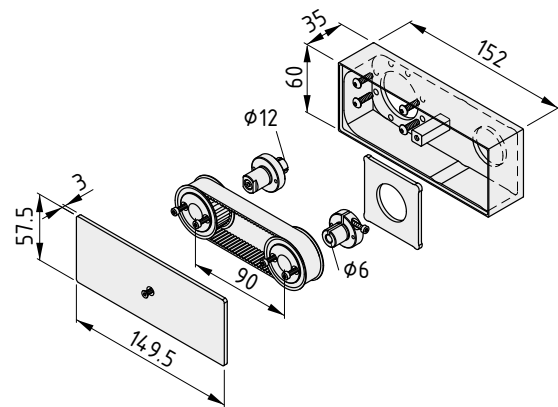
0.0.708.42

Parallel Drive Set 6 60 D12-1

Parallel Drive Set 6 60 D12-1 connects item Linear Units GSF 6 60 and KGT 6 60 P20 to virtually any motor at an angle of 180°. A timing-belt drive ensures non-slip power transmission.

The clamping hub must be machined to match the diameter of the motor shaft (maximum 14 mm). The fact the drive is positioned parallel to the Linear Unit means exceptionally space-saving applications can be realised.

Use Parallel Drive Set 6 60 D12-1 SE 60 (0.0.708.27) to connect item Motors. Thanks to its plug-and-play design, there is no need for any machining.



For connecting virtually any motor

Space-saving drive arrangement

Non-slip belt drive





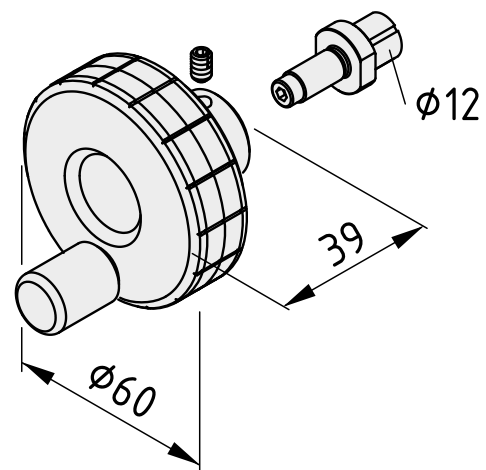
0.0.714.12

Hand-Wheel D60 D12

Adjustment made simple! Hand-Wheel D60 D12 can be used to operate linear axes with a D12 hollow shaft by hand. This means adjustments can easily be made at a low torque.

Easy to install, the Hand-Wheel can be used both as an alternative to a motor in development applications and for making manual adjustments in production applications. Featuring a rotating cylindrical knob, the Hand-Wheel can transmit a torque of up to 3.7 Nm.

Hand-Wheel D60 D12 is compatible with item Linear Units KGT 6 60, GSF 6 60, GSF 8 40 and LRE 5 D6.



Manual operation of linear axes

Simple to install and use

Torque of up to 3.7 Nm



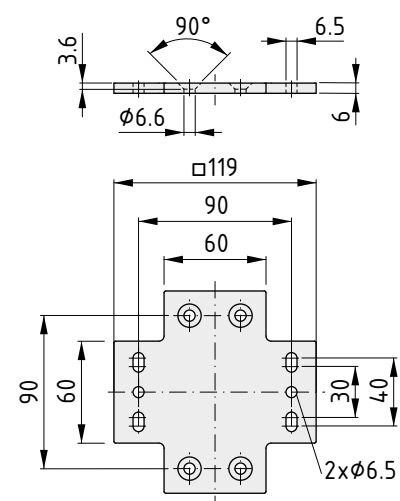


0.0.714.07

Transverse Carriage Plate 6

Transverse Carriage Plate 6 119x119 considerably speeds up the design, construction and commissioning of multi-axis systems based on Linear Units KGT 6 60 and GSF 6 60 and Linear Guide 6 60. It can also be used as a universal adapter between a Linear Unit and Line 6 and 8 profiles.

Thanks to this mounting plate, a single component is all that is needed to create a secure connection. The Transverse Carriage Plate is screwed to the guide carriage. The Transverse Carriage Plate comes with all the necessary drilled holes and can be selected as an accessory in item MotionDesigner®.



Helpful solution for building multi-axis systems

Universal connection for profiles

Pre-drilled holes





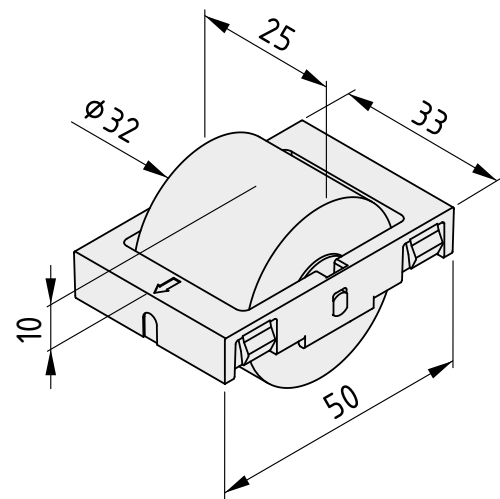
0.0.711.86

Braking Castor Insert D32-50

Controlled speed. Braking Castor Insert D32-50 regulates the speed of even light containers and goods on Roller Conveyor 6 40x40 E D30. The braking castor keeps transported goods weighing upwards of 200 g moving reliably and consistently as part of the material flow.

The adaptive braking function is performed by a planetary gear-box that runs very smoothly and quietly. It helps lightweight containers get moving again.

The braking castor is simply clipped into the roller conveyor in the place of previous castors.



For a consistent, reliable material flow

Suitable for low product weights

Very quiet operation



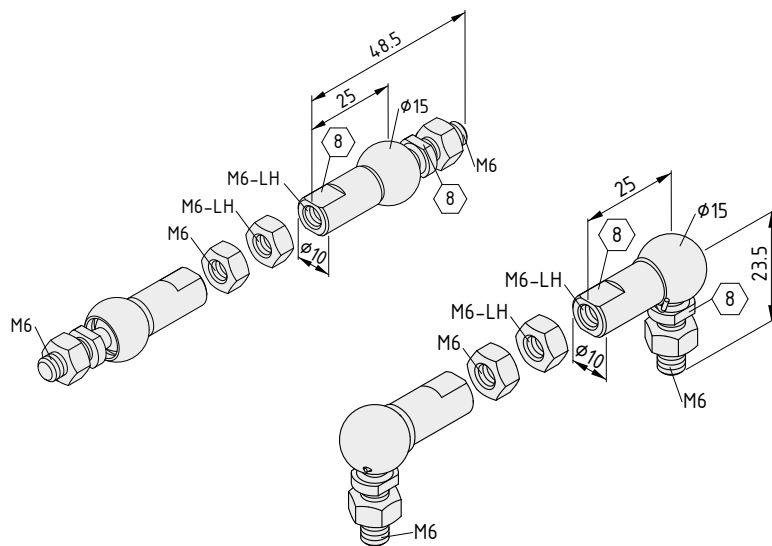


Axial and Angle Joint Sets

Axial and Angle Joints connect moving components in Karakuri/LCA applications. They make it possible for catches or manual levers to transmit low compressive and tensile forces.

Thread Adapter M6 LH/RH T2 is used to transmit forces over short distances, while Threaded Rod M6-1000 and Thread Adapter M6 LH/RH T1 are used for bigger spacings. Unlike when using a Bowden cable, two specific directions of movement can be connected together without any play.

The joints are perfect for easy-running and secure power transmission. The solution is low maintenance and ensures high process reliability. Slight axis misalignment is reliably balanced out. The maximum pivot angle is 15°.



Play-free process interlinking

Easy-running power transmission

Suitable for axial or angled arrangement

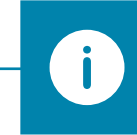




Axial Joint Set M6 0.0.710.49

Axial Joint Set M6 is used to actuate moving components along an axial direction. This means they can link together processes in Karakuri/LCA applications in two directions of movement. Ball sockets with a tolerance of 15° help to compensate for misalignment.

An item Thread Adapter is needed to link together the left-hand and right-hand threads as appropriate to the connection type.



Angle Joint Set M6 0.0.701.13

Angle Joint Set M6 is used to create 90° corner fastenings. The integrated ball socket enables rotational movement in all directions.

Angle and Axial Joint Sets can also be combined with each other so that the correct joint can always be fitted on each side when creating a mechanism for actuating a bar. They are connected using Threaded Rod M6 combined with Thread Adapter M6 LH/RH T1 or the short Thread Adapter M6 LH/RH T2.





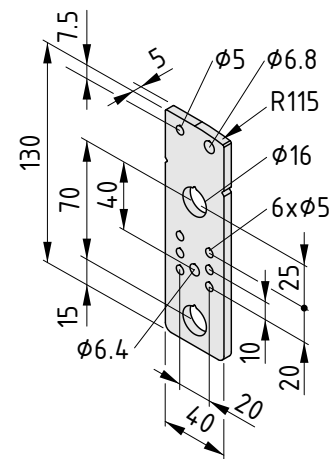
0.0.710.24

Release Unit D30 Bar 70/45 T1

Release Unit D30 Bar 70/45 T1 is used to build especially smooth-action locking mechanisms. When swinging out of the way, only very low actuation forces are needed, as half the top edge of the Bar has a radius that matches the arc created by the bearing point at the bottom.

Release Unit D30 Bar 70/45 T1 is perfect for Karakuri/LCA applications that need a secure hold and easy-action release for containers or functional assemblies.

Two notches make it easy to shorten the Bar.



Pivoting locking mechanism

Low actuation force

Can be shortened as required



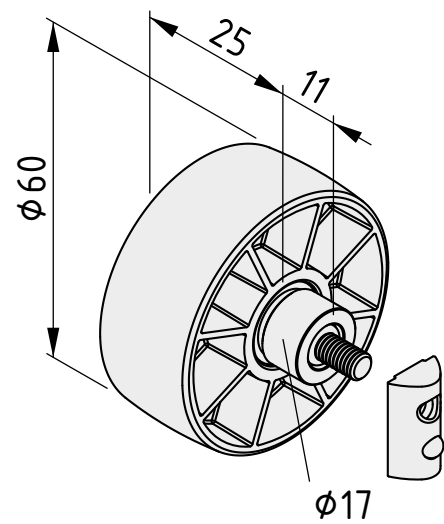


0.0.712.30

Roller Set 8 D60/D6-25 ESD

Thanks to its spherical running surface, ball-bearing mounted Roller Set 8 D60/D6-25 ESD can reliably actuate hatches and bars.

The roller's 60 mm diameter produces a longer travel than was possible with previous rollers when building a shooter with a small number of parts. The extra travel is created by two rollers moving against each other.



Spherical running surface

60 mm in diameter

For Karakuri/LCA applications





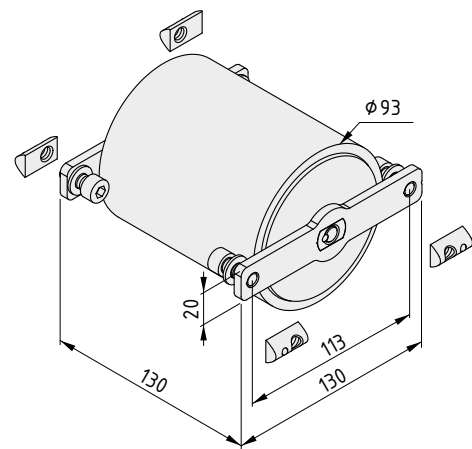
0.0.710.07

Braking Roller Set D93-130 M8

Braking Roller Set D93-130 M8 helps lower heavy loads at a steady speed. The braking roller and stable steel axle ensure that containers and goods weighing up to 25 kg can be safely transported via lifts or hatches. The rubberised roller can also slow down transported goods via direct contact from below or at the side.

The braking roller protects the frame and transported goods from being damaged by high-speed impacts. Deceleration increases in line with speed so that the Braking Roller effectively counteracts strong acceleration.

The necessary fastening elements are included in the scope of supply.



Strong braking action for lifts

Robust steel axle

Carries weights up to 25 kg



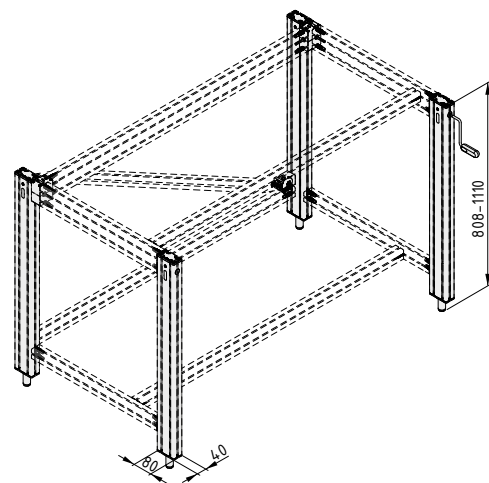


Table Column Sets K

Purely mechanical height adjustment. The four columns of Table Column Set K are extended in sync by up to 300 mm using a cranked handle. This is ideal for mobile work benches and robust workstations, combining minimum material usage and ergonomic height adjustment without the need for any electrical power.

Two versions are available – Table Column Set 8 80x40 K for work benches built using Line 8 profiles and Table Column Set D40/D30 K for lightweight work benches made from the Lean Production Building Kit System. In both cases, forces are transmitted via Tube D16 6 A/F, which is concealed inside the frame.

Table Column Sets K can be used to create work benches in custom dimensions of up to 1800 mm x 1800 mm with a load-carrying capacity of up to 120 kg.



Mechanical height adjustment with a crank

Power transmission within the frame

Optimised use of materials for lightweight table frames





Table Column Set 8 80x40 K 0.0.707.52

The basis for autonomous work benches! Using a cranked handle to adjust the height means work benches based on Table Column Set 8 80x40 K do not require any electrical power. The four table columns can be adjusted in height by up to 300 mm, have Line 8 grooves on the outside and use Profiles 8 80x40 as supporting struts for the Table Top. Tube D16 6 A/F acts as a synchroniser shaft, is concealed inside the frame and transmits torque evenly.

Profiles 8 80x40 and Tubes D16 6 A/F need to be added to the set as appropriate for the required table size.

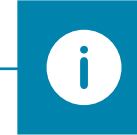


Table Column Set D40/D30 K 0.0.707.59

The solution for lightweight, robust height-adjustable work benches! Table Column Set D40/D30 K is compatible with Profile Tube System D30. Profiles D40 are used to hold the Table Top and also enclose the Tube D16 6 A/F, which acts as a synchroniser shaft, transmitting torque from the cranked handle to the table columns so their height can be adjusted in sync.

This creates ergonomic work benches using the minimum of materials. Based on lean production principles, you can therefore adapt solutions precisely to your processes – from the smallest of dimensions up to a width of 1800 mm.



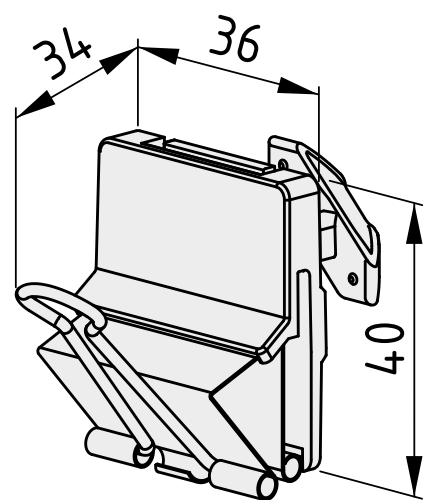


0.0.710.12

Clip Holder 8

Clip Holder 8 securely holds small bags, documents or smaller cartons weighing up to 0.5 kg. The clip, which opens to a width of 12 mm is intuitive and quick to operate. It helps keep the working environment neat and tidy.

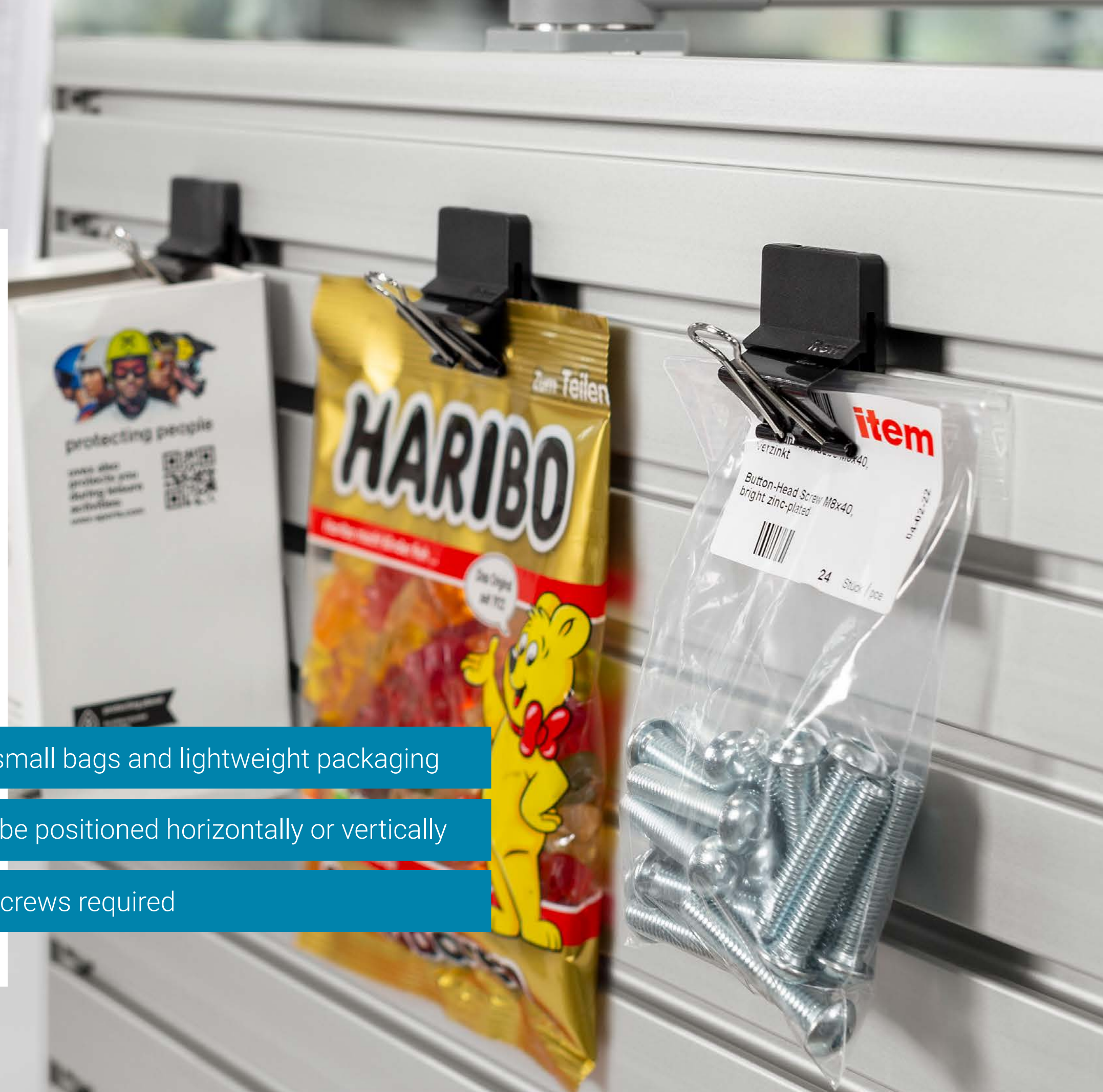
The holder can be attached horizontally or vertically to a Line 8 groove and clips into place with no need for a screw fixing. Simply insert it and turn it 45°. Clip Holder 8 expands the comprehensive item Hook and Holder System.



For small bags and lightweight packaging

Can be positioned horizontally or vertically

No screws required





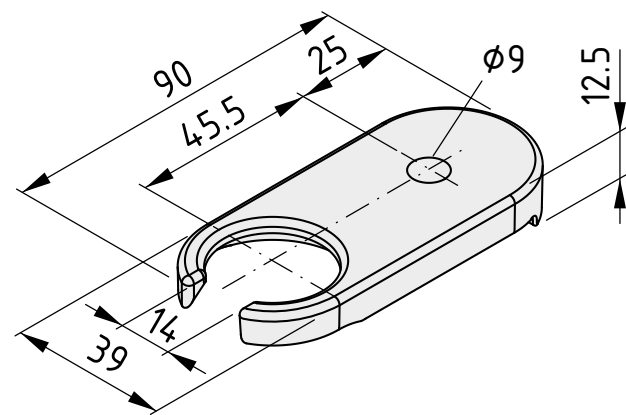
0.0.703.69

Foot Clamp D40



No tipping, no slipping! item Foot Clamp D40 anchors racks, factory equipment and machines securely to the floor. This ESD-safe fixing wraps around item Adjustable Feet with a D40 diameter and is secured to the subfloor with the relevant item Screw Anchor.

Foot Clamp D40 can be retrofitted and removed without requiring any modifications to the profile construction. The height-adjustment function of the Adjustable Feet is not affected.



ESD-safe floor fixing

Secures against tipping and movement

Simple to retrofit



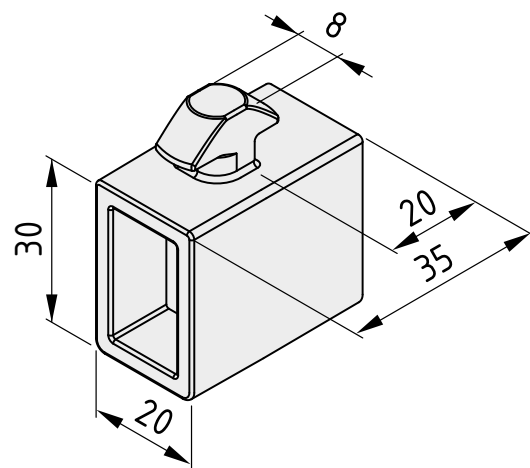


0.0.712.87

Multiblock 8 PA 0/5 mm

Multiblock 8 PA 0/5 mm is the specialist for fastening perforated sheets and other panel elements. The square nut integrated into the casing can be moved within the extended slot as appropriate to the relevant dimensions. This means lightweight sheet material and other panel elements can be easily screwed into place.

The Multiblock can be easily inserted into any point on a Line 8 groove and firmly twisted into position. Depending on its orientation, the contact face will either be flush with the edge of the profile or leave a 5 mm gap so the panel element can be fitted inside the profile frame.



Variable fixing for panels

Particularly wide adjustment range

Two installation heights



item Conveyor Belt System

The first conveyor belt solution to have all the strengths of the item Building Kit System! Using a few specialised basic components, the new item Conveyor Belt System can create customised conveyor belts as either free-standing solutions or integral parts of a larger system. The solutions are compatible with over 4000 item components.

The modular design, developed with a focus on durability, minimises maintenance outlay and enables you to maximise the productivity of your conveying technology. Key features include a tensioning mechanism integrated into the groove, self-aligning ball bearings and an elastomer coupling for evening out misalignments.

Four conveyor belt solutions are available to choose from:

- Flat Belt Conveyor 8 40 D with a continuous belt
- Double Flat Belt Conveyor 8 40 D with parallel belts
- Timing Belt Conveyor 8 40 D with a continuous belt
- Double Timing Belt Conveyor 8 40 D with parallel belts

The practical item configuration tool helps you design your customised conveyor belt in next to no time and your chosen system is delivered ready to install.

Modular design for seamless integration

Compatible with the item Building Kit System

Reliable thanks to low-maintenance design



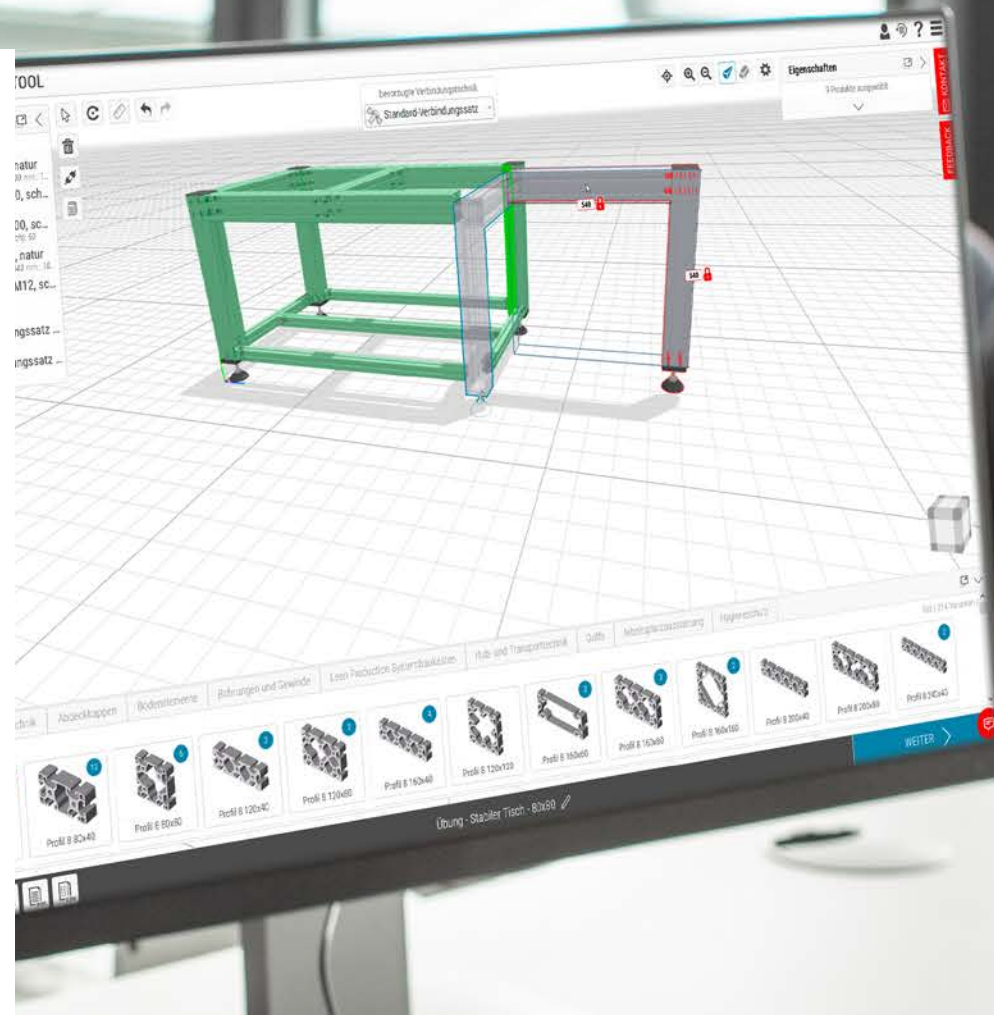


item Engineeringtool

The item Engineeringtool is the innovative 3D design program that makes every step from design through to the assembly of your solution easier. It is because the Engineeringtool knows all the properties of item components inside out that you can resolve typical tasks faster and more efficiently than ever before.

The online software doesn't need to be installed and is constantly being expanded. As a result, new functions and components are added on a regular basis – and all documented in the change log.

One of the most recent enhancements is the placement preview function. This allows you to view and check the orientation of a product or assembly and the necessary fastening elements before actually placing it on your design. The new search function makes sure you can find parts in the integrated product catalogue even faster.



Precise insertion thanks to placement preview

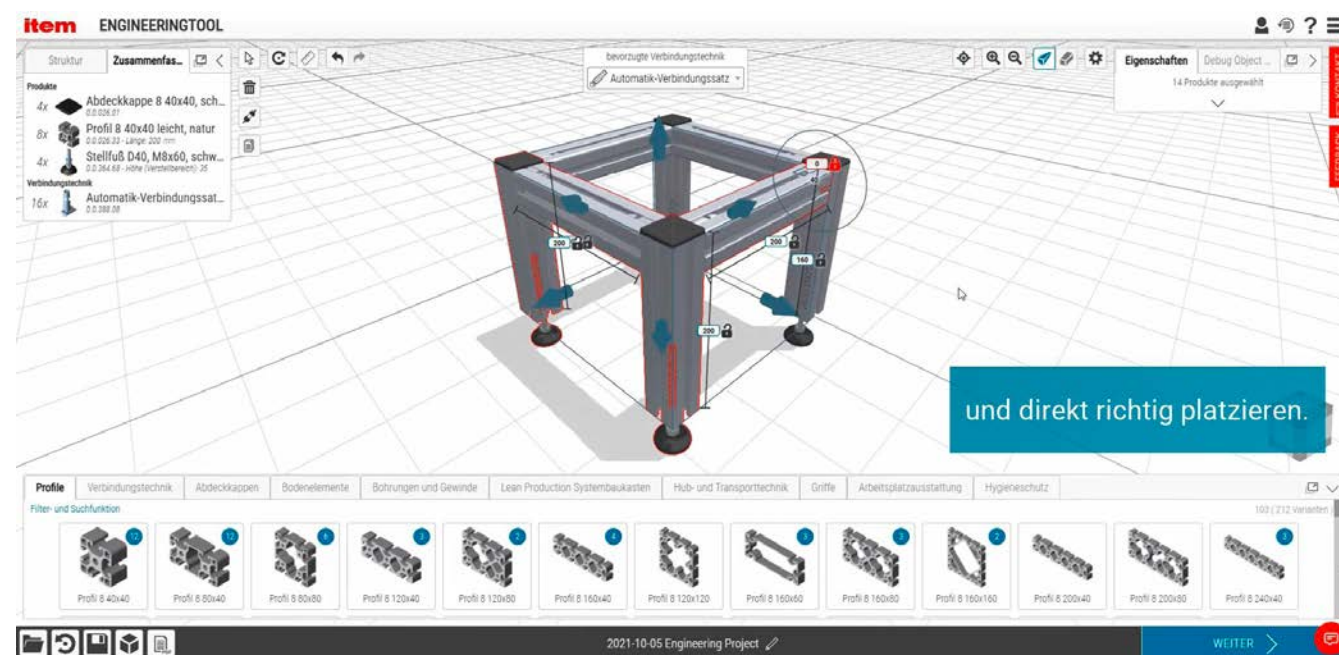
Add separate products directly to parts lists

Change fasteners retrospectively



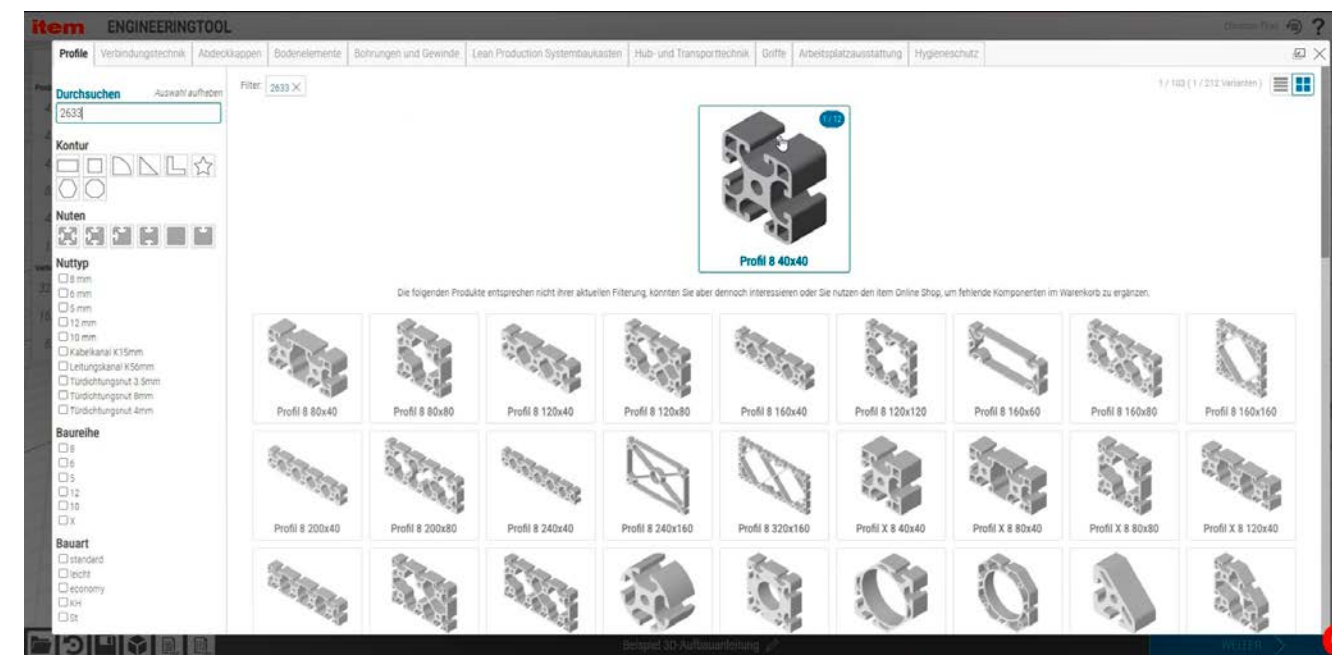
Precise insertion thanks to placement preview

Placement preview clearly visualises the orientation options for products and assemblies. This makes it even easier to arrange everything in the perfect position. The preview works with both individual parts, assemblies and when swapping out different product variants (such as Adjustable Feet or Caps). This function can be easily activated and deactivated in the 3D settings.



Find components even faster

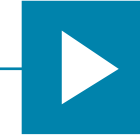
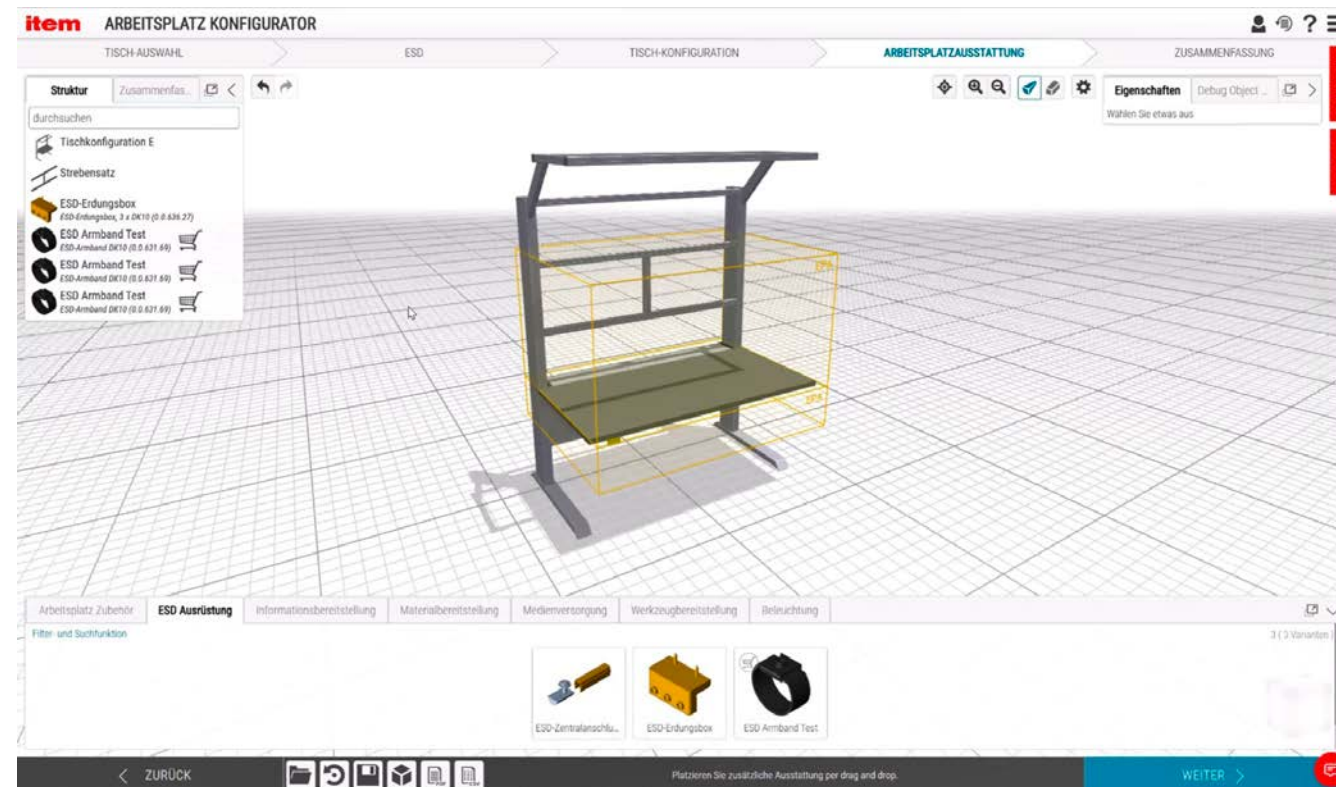
Smart filters and sortable lists guide you straight to suitable components in the integrated product catalogue. If you already know the article number or some of the article name, you can now also enter that in the search function. Simply type in the article number or name and you can insert the product directly into your construction.





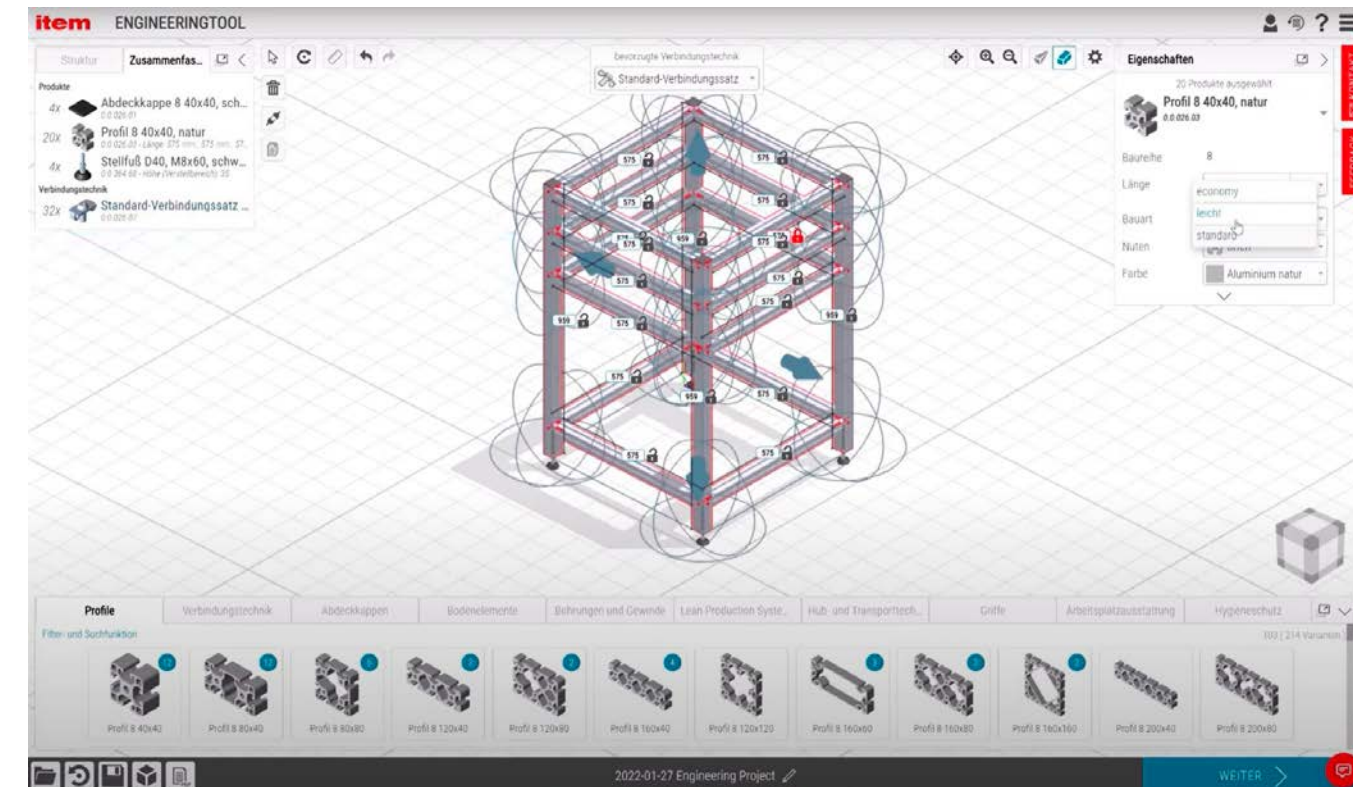
Add separate products directly to parts lists

Not all products lend themselves to being placed into a 3D design with millimetre precision. That's why you can now add accessories to your project simply by inserting them into your parts list. This option is ideal when you want to order elements such as Track Oil and individual Hooks together with all the other components in your project. The products will then be enclosed with the delivery as separate articles.



Change fasteners retrospectively

One of the strengths of the item Engineeringtool is that your preferred fasteners and connection machining work are automatically inserted. You can choose your desired fasteners in advance. If, over the course of the project, it turns out that another fastener would have been a better choice, that's not a problem. You can automatically swap over fastening elements with just three clicks.



item

item Industrietechnik GmbH
Friedenstrasse 107-109
D-42699 Solingen
Germany
Tel.: +49 212 6580 0
info@item24.com
item24.com

item. Your ideas are worth it.®

About item

item Industrietechnik GmbH is a midsize company dedicated to the development and worldwide sale of high-quality components used to build fixtures, machinery and plants as well as system solutions for lean production operations and work bench design. item building kit systems are based on aluminium construction profiles and fastening techniques that are tailored to a whole range of application scenarios in terms of their function and design. Its wide portfolio of accessories enables users to create an almost unlimited range of applications – from simple frames and machine enclosures right through to complex handling systems and custom machines.