

# ERGOSWISS

*table lift systems*



ADDITIONAL  
PRODUCTS AND  
ACCESSORIES

Edition July 2017

Novelties . . . . .	3
Additional products. . . . .	6
Hand crank and electronic accessories . . . . .	13
Mounting accessories . . . . .	22
Rubber feet and castors . . . . .	28
Hydraulic accessories . . . . .	31
Obsolete products . . . . .	36

MORE PRODUCTS,  
MORE INFORMATION,  
MORE POSSIBILITIES TO  
WORK ERGONOMIC  
CAN BE FOUND AT

**WWW.ERGOSWISS.COM**

AND IN OUR SOCIAL MEDIA.



Errors and technical changes reserved. Ergoswiss AG does not assume any liability for operating errors or using the products outside of the specified normal use. At the time of delivery Ergoswiss AG will replace or repair defect products within accordance with the warranty provisions. In addition, Ergoswiss AG assumes no other liability. For your questions and special custom demand Ergoswiss AG will be at your disposal.

Ergoswiss AG  
Nöllenstrasse 15  
CH-9443 Widnau  
Tel.: +41 (0) 71 727 06 70  
Fax: +41 (0) 71 727 06 79  
info@ergoswiss.com



NOVELTIES

## Linear unit SLA

Art. No. 903.xxxxx



Supports high loads with its small size.

- 1 - 4 SLA per control box plus 1 x cable remote control
- Max. system load 4-Leg-System 6000 N
- Max. 1500 N/leg lifting and pulling
- Stroke speed 9 mm/s
- Stroke length 300 or 400 mm
- Cross section 35 x 35 mm, Ø 25 mm

Application:

- Production-, machine- and furniture-industry

## Linear unit SLG

Art. No. 904.xxxxx



SLG can withstand higher bending moments than SLA and is more stable with the same stroke length.

- 1 - 4 SLA per control box plus 1 x hand button
- Max. system load 4-Leg-System 6000 N
- Max. 1500 N/leg lifting and pulling
- Stroke speed 9 mm/s
- Stroke length 300 oder 400 mm
- Cross section 45 x 45 mm, Ø 36 mm

Application:

- Production-, machine- and furniture-industry

## Linear unit LG

Art. No. 106.xxxxx



Stronger than linear unit LA and maintains higher bending moments. Synchronous operation from up to 10 linear units per pump possible.

- Max. stat. bending moment  $M_b = 200 \text{ Nm}$
- Max. dyn. bending moment  $M_{bdyn} = 80 \text{ Nm}$
- Stroke speed depending on pump
- Stroke length 300 or 400 mm
- Installation length 463 or 563 mm

Application:

- Production-, machine- and furniture-industry

## Pump PF

Art. No. 103.5xxxx



The pump PF with the dimensions 65 x 60 mm is more compact than the Pumps PA and PB.

- Connection of 3 or 4 cylinders

Application:

- For application with small space
- T-slot (width 8mm) allows flexible mounting

## Pump RF

Art. No. 102.4xxxx



The pump RF is completely made of stainless materials.

- Connection for 1 - 6 cylinders

Application:

- If increased requirements for corrosion resistance are needed. For example, contact with chemicals or in saline environments.

# LIFTING CASTOR HR



## Lifting Castor Set 4-HR 1803 D100

Art. No. 501.10101

The system consists of 4 castors with hydraulic driven levelling feet. Through the rotary motion of the hand crank the hydraulic oil is pressed out of the pump and flows through the hydraulic tubing into the connected levelling foot.

The system functions independently of load and the 4 castors operate completely synchronously.

Each lifting castor is equipped with 3 m hydraulic tubing. The tubing can be cut to the required size and be easily connected to the pump.

## Packaging and Accessories

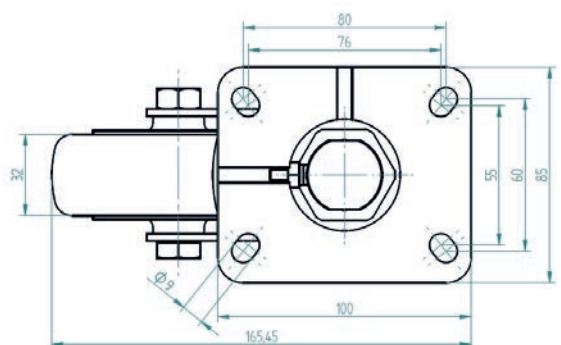
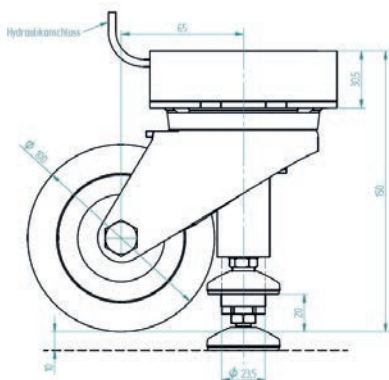
The set with 4 lifting castors and hydraulic pump is packed up in a cardboard box (590 x 395 x 150 mm) and contains the following accessories:

- 5 clamping rings
- 1 connection screw (spare part)
- 1 magnet
- 1 tubing cutter
- 1 ring spanner
- Assembly and operating instructions

## Technical specifications

The castor with polyurethane wheels is made of injection-moulded, thermoplastic elastomer and has very low abrasion and low rolling friction.

- Wheel-Ø 100 mm
- Wheel width 32 mm
- Total height 150 mm
- Plate size 100 x 85 mm
- Bearing castor: ball-bearing
- Max. system load 750 kg
- Stroke 10 mm
- Tubing length 3 m





ADDITIONAL  
PRODUCTS

# TABLE BASE FB 470



## Table base FB 470

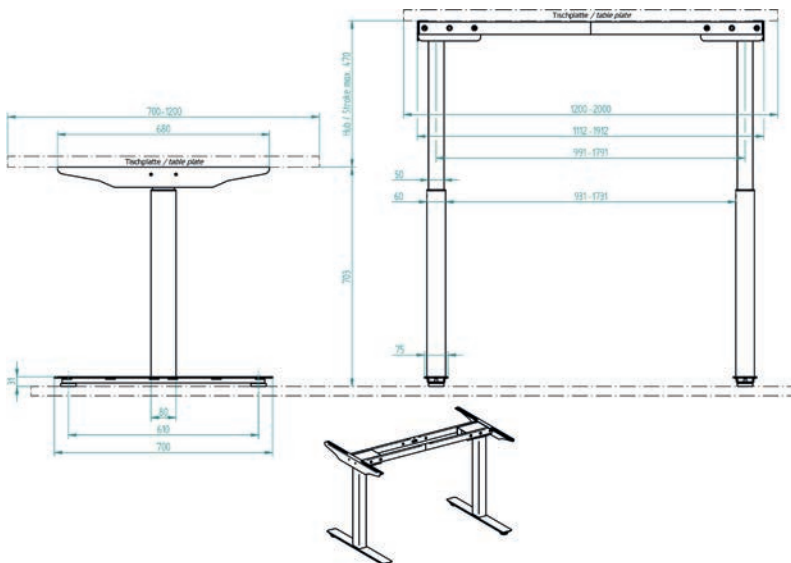
**RAL 9006 white aluminium** Art. No. 116.00057

**RAL 9005 deep black** Art. No. 116.00058

The table system FB 470 is used as a frame for an office desk or a simple assembly table. The table system can be assembled in a few minutes.

## Technical specifications

- Motor unit 230 V
- System load max. 120 kg
- Stroke length max. 470 mm (700 - 1170 mm)
- Stroke speed 40 mm/s
- Plate depth 700 - 1200 mm
- Plate length 1200 - 2000 mm
- Colour: RAL 9006 white aluminium or RAL 9005 deep black powder coated



# TABLE BASE FC 650



## Table base FC 650

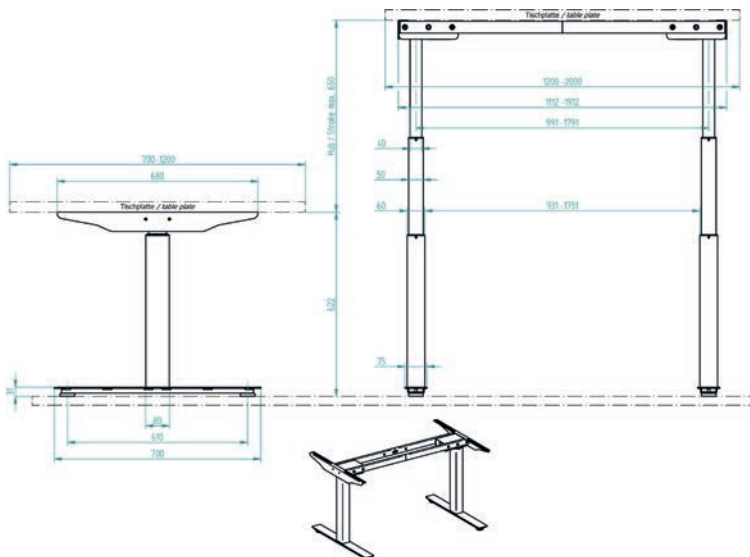
**RAL 9006 white aluminium** Art. No. 116.00067

**RAL 9005 deep black** Art. No. 116.00068

The table system FC 650 is used as a frame for an office desk or a simple assembly table. The table system can be assembled in a few minutes.

## Technical specifications

- Motor unit 230 V
- System load max. 120 kg
- Stroke length max. 650 mm (620 - 1270 mm)
- Stroke speed 40 mm/s
- Plate depth 700 - 1200 mm
- Plate length 1200 - 2000 mm
- Colour: RAL 9006 white aluminium or RAL 9005 deep black powder coated





# QUICK SHIP SYSTEM



## Quick Ship System

Art. No. 111.00XXX

The Quick Ship (QS) System is a already assembled system for retrofitting or attaching to a workplace.

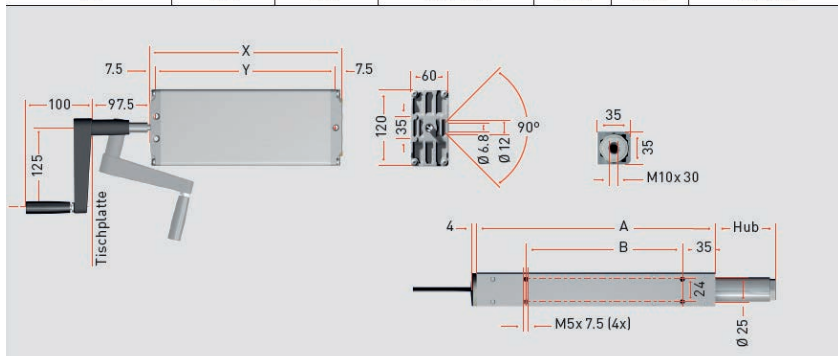
### This system contains:

- A hydraulic pump with hand crank or motor unit
- 4 linear units of type LA
- 2 tubing with 2.5m length
- 2 tubing with 3m length
- 4 adjustable rubber feet
- 12 mounting plates (adhesive) with 16 cable tie
- Assembly instruction, manual and drilling template

### Technical specifications

- Maximum lifting load 3500 N
- Maximum 1500 N per linear unit
- Stroke length 200, 300 and 400 mm
- With hand crank or electric drive
- Other versions on request

350 kg	Lineareinheit LA		Kurbel System			Motor System
Hublänge (mm)	Mass A (mm)	Mass B (mm)	Art. Nummer	Mass X (mm)	Mass Y (mm)	Art. Nummer
200	317	240	111.00042	600.5	585.5	111.00232
300	442	340	111.00043	722.5	707.5	111.00233
400	542	340	111.00044	923.5	908.5	111.00234



# SCREENLIFT ST 700 A



## Screenlift ST 700 A

Art. No. 116.00004

The Screenlift ST 700 A is developed to lift flat screens. The screen can be mounted to the screenlift in no time. The lift drives by remote control or switch. It is also suitable for mirror and kitchen cabinets as well as for PC screens.

## Technical specifications

- Maximum lifting load 100 kg
- Stroke length max. 700 mm (600 - 1300 mm)
- H 600 x W 286 x D 72
- Lifting speed 28 mm/s
- Motor power 60 W (Standby 1.2 W)
- Colour: powder coated RAL 9004 black
- Operated with a wireless remote control and a up down remote control to integrate into the furniture
- VESA TV-mounting plate: 400 x 300, 400 x 200, 400 x 100, 300 x 300, 200 x 200, 200 x 100

*Extended*



*Retracted*



# SCREENLIFT ST 1000 A



## Screenlift ST 1000 A

Art. No. 116.00005

The Screenlift ST 1000 A is developed to lift flat screens. The lift drives by remote control or switch. It is mounted in no time. There are other applications it can be used for. For example: mirror cabinet, computer screen and cupboard.

## Technical specifications

- Maximum lifting load 100 kg
- Stroke length max. 1000 mm (750 - 1750 mm)
- H 750 x W 286 x D 72
- Lifting speed 28 mm/s
- Motor power 60 W (Standby 1.2 W)
- Colour: powder coated RAL 9004 black
- Operated with a wireless remote control and a up down remote control to integrate into the furniture
- VESA TV-mounting plate: 600 x 400, 600 x 200, 600 x 100, 400 x 400, 400 x 200, 400 x 100, 300 x 300, 200 x 200, 200 x 100

Extended



Retracted



# CPU-HOLDER



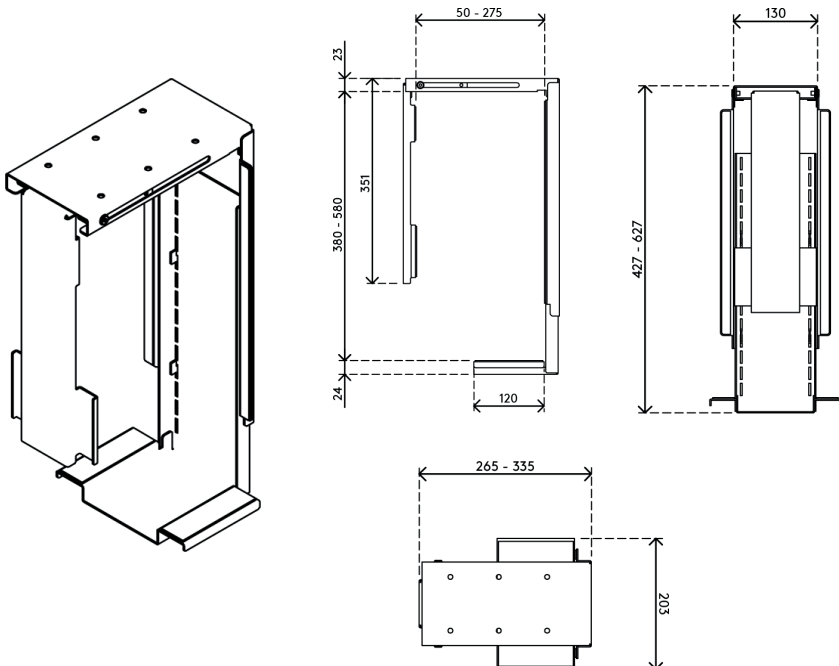
## CPU-holder


Art.Nr. 116.00021

Mount a CPU-holder on your table for more room for your legs. Additionally the dust load for the computer is reduced. Suitable for tower and desktop enclosures.

## Delivery

- Silver CPU-holder incl. mounting material
- Max. dimensions B 335 x T 203 x H 627 mm
- Max. capacity 20 kg
- For computers of 50 - 275 mm width and 380 - 580 mm height
- Height and width are adjustable





HAND CRANK &  
ELECTRONIC  
ACCESSORIES

# HAND CRANKS

## Hand crank foldable

Art. No. 113.00005



The foldable hand crank is mounted to the pump shaft with a roll pin. The hand crank is not removable, but it is possible to fold it underneath the table. If the hand crank is ordered as a single part, the roll pin will be send with the package.

Application:

- Pumps PA, PB, PF

## Hand crank foldable RF

Art. No. 113.00090



It is similar to the foldable hand crank. All steel parts are made of stainless steel.

Application:

- Pumps PA, PB, PF

## Hand crank removable

Art. No. 113.00013



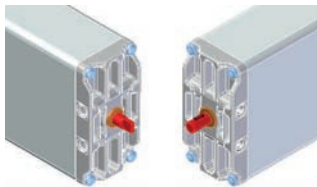
It is possible to remove the hand crank after the height adjustment. This hand crank is just suitable with the pump shaft type **A**.

Application:

- Pumps PA, PB

## Pump shaft

Type **W** and type **A**



All Pumps have the pump shaft type **W** as standard.

The **W** stands for Woodruff key

- e.g. Pump PA 2815 W – 100.20001

The pump shaft type **A** has a flattened shaft. It is used in combination with the removable hand crank (113.00013).

- e.g. Pump PA 2815 – 100.00001

## Hand crank with counter

Available upon request



To show the working height of Ergoswiss Systems with hand crank drive. Can be retrofitted as a kit in already installed systems.

Application:

- Hydraulic lifting systems with hand crank

# HAND CRANKS

## Hand crank W

Art. No. 113.00065



The foldable hand crank **W** is pinned with a grub screw onto the pump shaft type **W**. The grub screw and woodruff key will be sent with the package.

Application:

- Pumps PA, PB, PF

## Hand crank 90°

Art. No. 113.00070



With the flexible 90° crankshaft and a straight crankshaft it is possible to mount the hand crank and the pump in a 90° angle. The straight crankshaft is 1m long, it can be shorten to your needed length.

Application:

- Pumps PA, PB, PF

## Safety Clutch

Art. No. 113.00022



If you want to protect your system from overload, you need to use the safety clutch. By using the safety clutch it is not possible to create a higher torque than 10Nm with the hand crank.

Application:

- Pumps PA, PB, PF

## Crank body

Art. No. 128.00002



Spare part for hand crank 113.00005/13/65/70/90

# CABLE REMOTE CONTROL

## Cable remote control memory

Art. No. 124.00023



The cable remote control memory can save up to four height positions additionally to the normal up and down function.

- Cable length 1.9 m
- Can be slid underneath the table
- Softclick feeling of pressure

Application:

- Hydraulic lifting systems with electric drive (standard cable remote)
- Spindel lifting systems with compact drive

## Replacement foil for cable remote control memory

Art. No. 124.00068



Self-adhesive replacement foil. Spare part for cable remote control memory 124.00023

## Cable remote control Up/Down front

Art. No. 124.00059



- Mounting underneath the table plate
- Ergonomic design
- Static installation
- Softclick feeling of pressure
- Up/Down function
- Cable length 1.8 m

Application:

- Hydraulic systems with motor unit
- Spindel lifting system with control box compact (standard cable remote)

## Cable remote control Up/Down touch

Art. No. 124.00172



- Mounting underneath the table plate
- Modern design
- Cable length 1.8 m

Application:

- Hydraulic systems with motor unit
- Spindel lifting system with control box compact

## Cable remote control memory

Art. No. 124.00173



- Mounting underneath the table plate
- Modern, flat design
- Up/Down function
- 4 memory options
- 4-digit display for «inch» and «cm»

Application:

- Hydraulic lifting systems with electric drive
- Spindel lifting systems with compact control box



# CABLE REMOTE CONTROL

## Radio remote control

Art. No. 124.00094



Remote control consisting of radio transmitter (incl. battery and holder), radio receiver, hand-held remote control and operating instructions.

### Application:

- Hydraulic lifting systems with electric drive
- Spindle lifting systems with compact control box

## Infrared remote control

Art. No. 124.00054



Remote control consisting of IR transmitter (incl. battery and holder), R receiver and operating instructions.

### Application:

- Hydraulic lifting systems with electric drive
- Spindle lifting systems with compact control box

## Cable remote control touch inlay

Art. No. 124.00126



- Mounting into the table plate
- Modern design
- Up/Down function
- 2 memory options
- 4-digit display for «inch» and «cm»

### Application:

- Hydraulic lifting systems with electric drive
- Spindle lifting systems with compact control box

## Foot switch 01

Art. No. 124.00170



- Cable length 2 m

### Application:

- Hydraulic lifting systems with electric drive
- Spindle lifting systems with compact control box

## Control cable compact 2m

Art. No. 124.00136



A PLC or a cable remote control of your choice can be attached to the control cable.

- Cable length 2 m

Application:

- Hydraulic lifting systems with electric drive
- Spindle lifting systems with compact control box

## Split cable for cable remote control

Art. No. 124.00070



With the split cable it is possible to connect two cable remote controls to the control box.

- Cable length 200 mm

Application:

- Cable remote control for compact control box

## Extension cable for cable remote control 1m

Art. No. 124.00071



With the extension cable it is possible to extend the cable of the cable remote control.

- Cable length 1 m
- Maximum of 3 extension cables in series

Application:

- Cable remote control for compact control box

## Motor cable PXD

Art. No. 124.00138



The motor cable connects the motor type D with the control box.

- Cable length 1 m

Application:

- Motors PAD, PBD

## Motor extension cable 1.2 m

Art. No. 124.00137



The motor extension cable can be used to extend the motor cable of a PXD motor or a spindle lifting system.

- Cable length 1.2 m
- 2 cables are needed to extend the motor PXD
- Maximum of 5 extension cables in series

Application:

- Motors PAD, PBD, PFD
- Spindle lifting systems SL, ST, SM

## Cabel SYNC-2

Art. No. 124.00088



With the SYNC-2 cable it is possible to synchronize 2 control boxes. Both control boxes run in a parallel mode.

- Cable length 550 mm

Application:

- Systems with compact control boxes

## Cabel SYNC-4

Art. No. 124.00089



With this cable it is possible to synchronize 2, 3 or 4 compact control boxes. All 2, 3 or 4 lifting systems run in a parallel mode.

- Cable length 1.8 m
- 1 cable per control box is needed (4 control boxes = 4 cables)

Application:

- Systems with compact control boxes

## Squeeze line 2.5 / variable

Art. No. 124.00105



By attaching the squeeze line to a possible squeeze zone, the system immediately stops when the contact hose is crushed.

- Cable length 2.5 m, max 5 m
- Contact hose length variable

Application:

- Systems with compact control box

## Split cabel sensor

Art. No. 124.00084



The split cable sensor is needed to use two squeeze lines or a squeeze line and a sync cable.

Application:

- Squeeze lines or sync cable for compact control box

## Power cable EU

3m Art. No. 124.00142

5m Art. No. 124.00149



3 pole power cable with an European plug.

- Voltage 230 V
- Plug type CEE 7/7
- Cable length 3 m (124.00149 - 5 m)

Application:

- Systems with compact control box

## Power cable CH

3m Art. No. 124.00143

5m Art. No. 124.00148



3 pole power cable with a Swiss plug.

- Voltage 230 V
- Plug type SEV 1011
- Cable length 3 m

Application:

- Systems with compact control box

## Power cable UK 3m

Art. No. 124.00144



3 pole power cable with an English plug.

- Voltage 230 V
- Plug type Commonwealth
- Cable length 3 m

Application:

- Systems with compact control box

## Power cable US 3m

Art. No. 124.00145



3 pole power cable with an American plug.

- Voltage 110 V
- Plug type NEMA 5 - 15
- Cable length 3 m

Application:

- Systems with compact control box 110 V

# ELECTRONIC ACCESSORIES

**Control box compact-3-eco**  
230V Art. No. 124.00150  
110V Art. No. 124.00139



This is the standard control box for a spindle lifting system.

- Supply Voltage 230 V/110 V
- Standby power < 0.6 W
- Port for cable remote control
- 1 - 3 ports for motor units

Application:

- Spindle lifting system SL/ST/SM

**Control box compact-2-eco**  
230 V Art. No. 124.00140  
110 V Art. No. 124.00139



This is the standard control box for a hydraulic system with motor unit.

- Supply Voltage 230 V/110 V
- Standby power < 0.6 W
- Port for cable remote control

Application:

- Hydraulic lifting system with motor unit

**Continuous operating control box PXD**  
Art. No. 124.00075



The continuous operating control box is a product to automatically adjust table systems under test conditions.

- Manual operation with hand switch
- Automatic mode
- Memory mode
- Up/Down mode



# MOUNTING ACCESSORIES

# MOUNTING ACCESSORIES

## Bracket D6

Art. No. 113.00029



Alternative mounting option for the piston rod of our cylinders.

- Stud diameter 6 mm

Application:

- Cylinder types CB, CD and CI

## Bracket D8

Art. No. 113.00030



Alternative mounting option for the connection head of our cylinders.

- Stud diameter 8 mm

Application:

- Cylinder types CD and CE

## Mounting plate type A

Art. No. 113.00003

## Mounting plate type D

Art. No. 113.00125



Mounting plate for linear units.

- Plate size 30 x 70 mm (A), 30 x 80 mm (D)
- Ø 5,8 mm drill hole

Application Typ A:

- Linear units LA, LD, LH, SLA

Application Typ D:

- Linear units LG, SLG

## Mounting plate type B

Art. No. 113.00004

## Mounting plate type E

Art. No. 113.00126



Mounting plate for linear units.

- Plate size 30 x 35 mm (B), 30 x 45 mm (E)
- Incl. countersunk screw M6 x 40

Application Typ B:

- Linear units LA, LD, LH, SLA

Application Typ E:

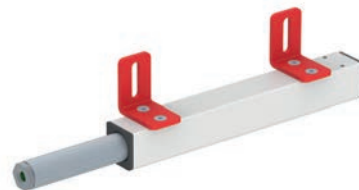
- Linear units LG, SLG

## Mounting plate type C

Art. No. 113.00039

## Mounting plate type F

Art. No. 113.00127



Angle bracket for linear units.

- Angle 90° 50 x 50 x 32 mm (C), 55 x 55 x 32 mm (F)
- Ø 6,9 mm drill hole

Application Typ C:

- Linear units LA, LD, LH, SLA

Application Typ F:

- Linear units LG, SLG

# MOUNTING ACCESSORIES

## Tube fitting 28

Art. No. 113.00054



The tube fitting is used to mount the linear units onto a tube system.

- Tube diameter 28 mm
- ESD conductive

Application:

- Linear units LA, LD, SLA

## Drilling template LA

Art. No. 198.00149



The drilling template for the linear units LA and LD is made for an easier installation.

## Table leg

TA 1440 2P Art. No. 306.00141

TA 1450 2P Art. No. 306.00142

TA 1840 2P Art. No. 306.00134

TA 1850 2P Art. No. 306.00135



The table legs TA 2P have got a mounting plate on each side to mount two crossbars to the table leg.

Application:

- Long tables with 6 or more TA legs

## Plate carrier TA cpl.

Art. No. 115.00160



For mounting a table plate with a table leg TA.

- Dimensions 416 x 68 x 30 mm

Application:

- Frame TA

## Plate carrier TA 550 / 75 cpl.

Art. No. 115.00161



The plate carrier TA 550/75 can be used, when the table leg TA is mounted against a wall. This way the table plate will get enough support of the long plate carrier.

- Incl. countersunk screw M6 x 10
- Dimensions 550 x 90 x 30 mm

Application:

- Table leg TA



# MOUNTING ACCESSORIES

**Plate carrier TA-C cpl.**  
Art. No. 115.00162



For mounting a table plate on tableleg TA.

- Dimensions 700 x 68 x 30 mm

Application:

- Frame TA-C

**Angle bracket TA cpl.**  
Art. No. 115.00075



The angle bracket is used to anchor the table leg with a wall. The angle bracket is mounted onto the mounting plate with four M6 screws on the table leg TA.

- Incl. Raised countersunk-head screws M6x10
- Dimensions 130/53 x 50 x 3 mm

Application:

- Table leg TA

**Cross bar TA cpl.**  
550 Art. No. 115.00150  
750 Art. No. 115.00151  
950 Art. No. 115.00152  
1150 Art. No. 115.00153  
1550 Art. No. 115.00154



Union joint for TA table legs.

- Dimensions 550, 750, 950, 1150, 1550 x 80 x 50 mm

Application:

- Frame TA

**Foot plate TA both sides cpl.**  
Art. No. 115.00138



The foot plate TA is used to anchor the table leg on both sides into the ground.

- Incl. countersunk screw M6 x 25
- Dimensions 100 x 80 x 4 mm

Application:

- Table leg TA

**Foot plate TA cpl.**  
Art. No. 115.00033



The foot plate TA is used to anchor the table leg into the ground.

- Incl. flat-head screw M6 x 25
- Dimensions 80 x 75 x 4 mm

Application:

- Table leg TA

# MOUNTING ACCESSORIES

## Foot plate TT

Art. No. 126.00113



The TT foot plate is screwed to the tableleg TT and can be screwed to the rack or the floor using the two  $\varnothing$  9 mm holes.

- Dimensions 360 x 40 x 10 mm

Application:

- Table leg TT

## Foot plate SL

Art. No. 126.00108



With this foot plate the table leg SL can be mounted onto a crossbar or into the ground.

- Dimensions 270 x 53 x 10 mm

Application:

- Table legs SL, TL

## Fastening angle SX 60x60 cpl.

Art. No. 113.00150



With the fastening angle the SL and SM table legs can be attached to a wall or slot profile.

- Delivery includes 1 angle
- incl. screws M8
- Incl. T-slot nuts
- For profiles with nut distance 30 to 50 mm

Application:

- Lifting columns SL, SM, TL, TM

## Adaptor sheet SM 90°

Art. No. 127.00630



The adaptor sheet is used to mount the inner column profile onto a wall or a T-slot profile.

- excl. screws (these are supplied with the table leg)
- For profiles with T-slot distance from 30 to 50 mm

Application:

- Lifting columns SM and TM
- Lifting columns SL and TL on request

# MOUNTING ACCESSORIES

## T-slot nut 12.5 x 6 M6 Fk

Art. No. 142.00217



- Length 22 mm
- Width 12.5 mm
- Height 6 mm
- Height with Federkugel 7.6 mm
- Thread M6

Application:

- Ergoswiss T-slot 8

## T-slot nut 12.5 x 6 M8 Fk

Art. No. 142.00218



- Length 22 mm
- Width 12.5 mm
- Height 6 mm
- Height with Federkugel 7.6 mm
- Thread M8

Application:

- Ergoswiss T-slot 8



RUBBER FEET &  
CASTORS

# RUBBER FEET & CASTORS

## Rubber foot M10 x 30

Art. No. 113.00006



Rubber foot with thread M10 x 30 and vulcanized rubber coating.

- Incl. M10 counter nut
- System load of 75 kg

Application:

- Linear units LA, LG, LH, SLA, SLG
- Table legs SM, TA, TM, TO, TU
- Table feet SL, SM, TA, TL, TM, TT

## Rubber foot M10 x 30 RF

Art. No. 113.00052



Stainless alternative to rubber foot 113.00006.

- System load of 75 kg

Application:

- Linear units LA, LG, LH, SLA, SLG
- Table legs SM, TA, TM, TO, TU
- Table feet SL, SM, TA, TL, TM, TT

## Aluminium foot D50 x 35

Art. No. 113.00028



There are 3 drill holes which allow to anchor the foot into the ground.

- 3 x Ø 5,5 mm TK 40
- Screw shaft M10 x 25 mm

Application:

- Linear units LA, LG, LH, SLA, SLG
- Table legs TA, TU, TO, TM, SM
- Table feet TA, SL, SM, TL, TT, TM

## Hinge foot M10 x 20

Art. No. 113.00095



Rubber foot for high loads, thread M10 x 20.

- Incl. M10 counter nut
- System load of 400 kg

Application:

- Linear units LA, LG, LH, SLA, SLG
- Table legs SM, TA, TM, TO, TU
- Table feet SL, SM, TA, TL, TM, TT

## Castor LA 100 kpl.

Art. No. 113.00040



- Roll diameter 100 mm, Height 121 mm
- Screw shaft M10
- Max. system load of 70 kg
- 360° swiveling
- With brake

Application:

- Systems LA, LB, LG, LH, SL, SM, ST, SLA, SLG, TA, TL, TM, TO, TT, TU

# RUBBER FEET & CASTORS

## Double castor D50 kpl.

Art. No. 113.00067



- Roll diameter 50 mm, Height 71 mm
- Incl. fastening screw M10
- Max. system load of 80 kg
- 360° swiveling
- With break

### Application:

- Systems LA, LG, LH, TO, SLA, SLG

## Castor 125 kpl.

Art. No. 113.00033



- Roll diameter 125 mm, Height 165 mm
- Fastening with 4 M6 x 25 countersunk screw
- Max. system load of 180 kg
- 360° swiveling
- With break

### Application:

- System TA



# HYDRAULIC ACCESSORIES

# HYDRAULIC ACCESSORIES

## Tubing black 4.0x0.9

Art. No. 113.00002



- Outer diameter 4 mm
- Inner diameter 2.2 mm
- Wall thickness 0.9 mm
- max. operating pressure 100 bar
- Burst pressure 420 bar
- Minimum bending radius 25 mm

Please read the assembly instructions.

## Connecting screw

Art. No. 125.00021



Due to the clamping ring connection, the hydraulic tubing is tightly fixed to the pump, respectively to the cylinder.

When tightening the connection screw, the clamping ring will squeeze itself onto the tubing.

Application:

- Tubing outer diameter 4 mm

## Clamping ring

Art. No. 125.00022



Due to the clamping ring connection, the hydraulic tubing is tightly fixed to the pump, respectively to the cylinder. The clamping ring will squeeze itself onto the tubing when tightening the connection screw

Application:

- Tubing outer diameter 4 mm

## Tubing plug

Art. No. 142.00198



For the transportation of a prefilled tubing, a tubing plug is needed. With the tubing plug all the prefilled hydraulic oil stays in the tubing.

Application:

- Tubing 113.00002

## Pre assembling tubing

Art. No. 199.00003



The prefilled tubing is connected to the cylinder, linear unit or table leg. The other end of the tubing is sealed. Before connecting the tubing to the pump, the sealed end of the tubing needs to be cut of.



# HYDRAULIC ACCESSORIES

## Tubing assembly (complete)

Art. No. 119.00004



The tubing is connected to the cylinder and the pump. This is just possible with cylinders or linear units.

Advantage:

The system is ready to use.

Disadvantage:

It is not possible anymore to lay the tubing through holes or profiles.

## Oil

250ml Art. No. 113.00009

1 liter Art. No. 113.00082

250ml «no tox» Art. No. 113.00036

1 liter «no tox» Art. No. 113.00083



The oil is available in two sizes and is used to refill the hydraulic system. The hydraulic oil is called Castrol Hyspin AWS 15.

For companies which process food, it is possible to use our system with a food-grade hydraulic oil (according to US 21). The article number of these systems start with a 2 and get the ending «no tox».

## Service kit

Art. No. 113.00008

«No tox» Art. No. 113.00081



The service kit includes:

- 250 ml Oil
- Injection 20ml with needle
- Tubing cutter
- Box wrench size 10/11
- Clamping rings and connecting screws
- Magnets

## Y-connection

Art. No. 113.00015



To connect two pressure elements with one cylinder the Y-connection is needed. The lifting speed will be doubled but the lifting load will be halved.

Please get in touch with our technicians to help you get the most suitable system.

## L-connection

Art. No. 113.00017



With the L-piece, two tubings can be connected with each other. This serves for the tubing extension or tubing repair.

For bending radius <math>< 25\text{ mm}</math>.

# HYDRAULIC ACCESSORIES

## Straight connection

Art. No. 113.00038



It is possible to connect two tubings with the straight connection. The straight connection is used for tubing extension or for tubing reparation.

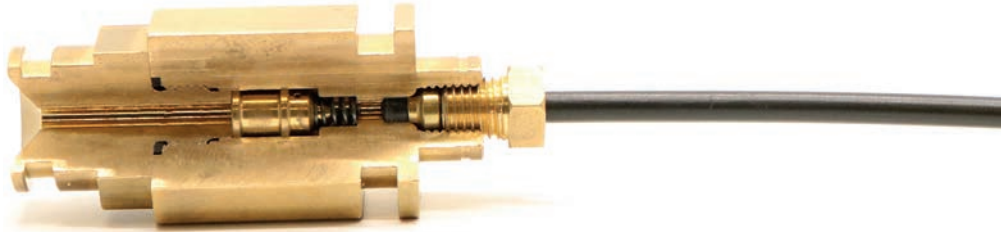
## Tubing coupling click

Art. No. 113.00048



The tubing coupling click is used to disconnect the tubing without losing oil. Coupling and decoupling is possible up to a maximum pressure of 30 bars.

# EXCESS FLOW CUT-OFF VALVE



For more safety with heavy loads it is possible to use the excess flow cut-off valve. In the cylinder head, right before the tubing outlet, there is an excess flow cut-off valve which switches at too high flow rate. This prevents an uncontrolled descent or tilting of the table. The cylinder doesn't bounce for loads < 50 kg. Then the table lowers slowly. The excess flow cut-off valve is integrated in the cylinder, no additional assembling is needed.

## Variations:

### Cylinders



### Linear units LA/LH



### System TA



### System TQ



## Technical specifications

Operating volume flow 300 ml/min

- This is the retracting speed of 20mm/s if a cylinder with a diameter of 18mm is used.
- The highest possible volume flow during operation is 140ml/min  $\approx$  lifting speed of 9mm/s

## Naming:

107.00292: CH 1420 V	107.00303: CI 1430 V
107.00293: CH 1430 V	107.00304: CI 1440 V
107.00294: CH 1440 V	109.50173: CI 1830 V
109.00223: CH 1830 V	109.50174: CI 1840 V
109.00224: CH 1840 V	

106.20062: LA 1420 V	106.10023: LH 1430 V
106.20063: LA 1430 V	106.10024: LH 1440 V
106.20012: LA 1820 V	106.10013: LH 1830 V
106.20013: LA 1830 V	

106.00563: Leg TA 1430 V	106.00553: Leg TA 1830 V
106.00564: Leg TA 1440 V	106.00554: Leg TA 1840 V

106.00473: Leg TQ 1430 V	106.00463: Leg TQ 1830 V
--------------------------	--------------------------



OBSOLETE  
PRODUCTS

# OBSOLETE PRODUCTS

## Table leg TI 1430

670 Art. No. 106.00203

671 - 999 Art. No. 106.00204

1000 Art. No. 106.00208



## Table leg TI 1830

500 Art. No. 106.00238

2500 Art. No. 106.00239

670 Art. No. 106.00240

770 Art. No. 106.00242

**Article available until the end of 2018**

The tableleg TI is used for height adjustment of workbenches, mounting tables and conveyor systems.

- Incl. rubber foot and 4 m preassembled hydraulic hose
- Bosch profile nut 10
- Max. system load 1500 N or 2500 N per leg
- Stroke length max. 300 mm

## Table leg TK 1430

Art. No. 106.00223



**Article available until the end of 2018**

The tableleg TK is used for height adjustment of workbenches, mounting tables and conveyor systems.

- Incl. 3 m reassembled hydraulic hose
- Bosch profile nut 10
- Max. system load 1500 N per leg
- Stroke length max. 300 mm (717 - 1017 mm)



**ERGO**SWISS  
table lift systems