

item



Systematic innovation
New Products 2020/ II



4 MB Building Kit System

Particularly large! **Groove Plate X 8** can be used to build large, strong working surfaces or entire walls with precisely spaced end-to-end grooves covering the entire surface area.

Exceptionally strong! Thanks to innovative **Adhesive Multi-blocks**, panel elements can be fitted into profile frames fast, flush and free from any machining work.

Especially discrete! The new **Inside Wall Profile X 8 40x27** is used to add invisible bracing behind panel elements or as a concealed mounting element for attachments.



19 Lean Production Building Kit System

Everything in its place! **End Cap D30 H43** is a raised end piece that stops cables slipping off the end of profiles they have been slung over for transport.

Everything in hand! The new **Transverse Fastener D30-70 rotating** creates a stable connection between profiles that cross each other – at any angle.

Everything in check! **Bearing Block 8 80x80-50** controls the rotary motion of moving parts with its rotational dampers, which also safely absorb considerable torques.



36 Automation System

New design! **Linear Unit KGT 6 60** combines a ball screw drive with a stroke of up to 2600 mm and a strong carriage.

New package! The new **item MotionKits** ensure Linear Unit KGT 6 60 is available in three set lengths with a drive and controller – all at an attractive package price.

New principle! The cable conduits of the new **Profiles X 8 M45 - XMS** can be accessed from the outside and are revolutionising the construction of machine cabins that feature integrated control elements.



47 Online Tools

Excellence in engineering! The **item Engineeringtool** adapts the angle and length of struts automatically whenever you change a load-bearing profile in the basic frame. Additional keyboard shortcuts also speed up work even more.

Excellence in training! The **item Academy** now offers online tests and official certificates. Fitters and engineers can therefore both expand their expertise and prove their new-found proficiency.



Factory equipment engineering – with the MB Building Kit System

Inside Wall Profile X 8 40x27

Adhesive Multiblocks 8

Plastic 6mm, all-round white

Acrylic Glass 4mm GS, clear

Groove Plate X 8 40, light

Cassette Belts 4m

Caps ESD

Caps 5, grey

Knuckle Foot D40 ESD, M8x60, stainless

Invisible helper



Slim panel bracing

Used to attach accessories

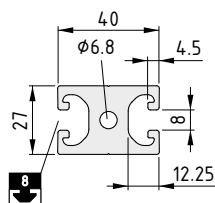
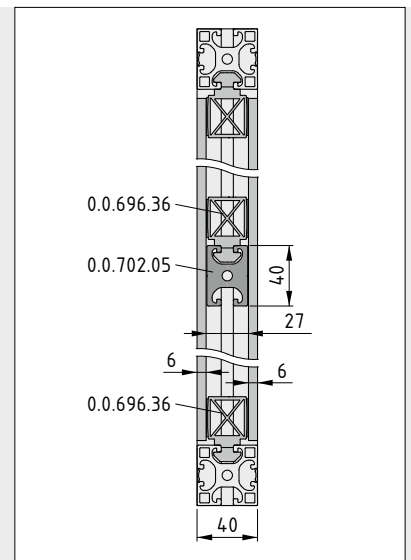
Strong load-bearing core



Inside Wall Profile X 8 40x27

More hold for panels! Inside Wall Profile X 8 40x27 can be used to build large walls and cladding panels without any visible intermediate struts. This narrow profile can add extra rigidity behind panel elements or serve as a concealed mounting element for attachments.

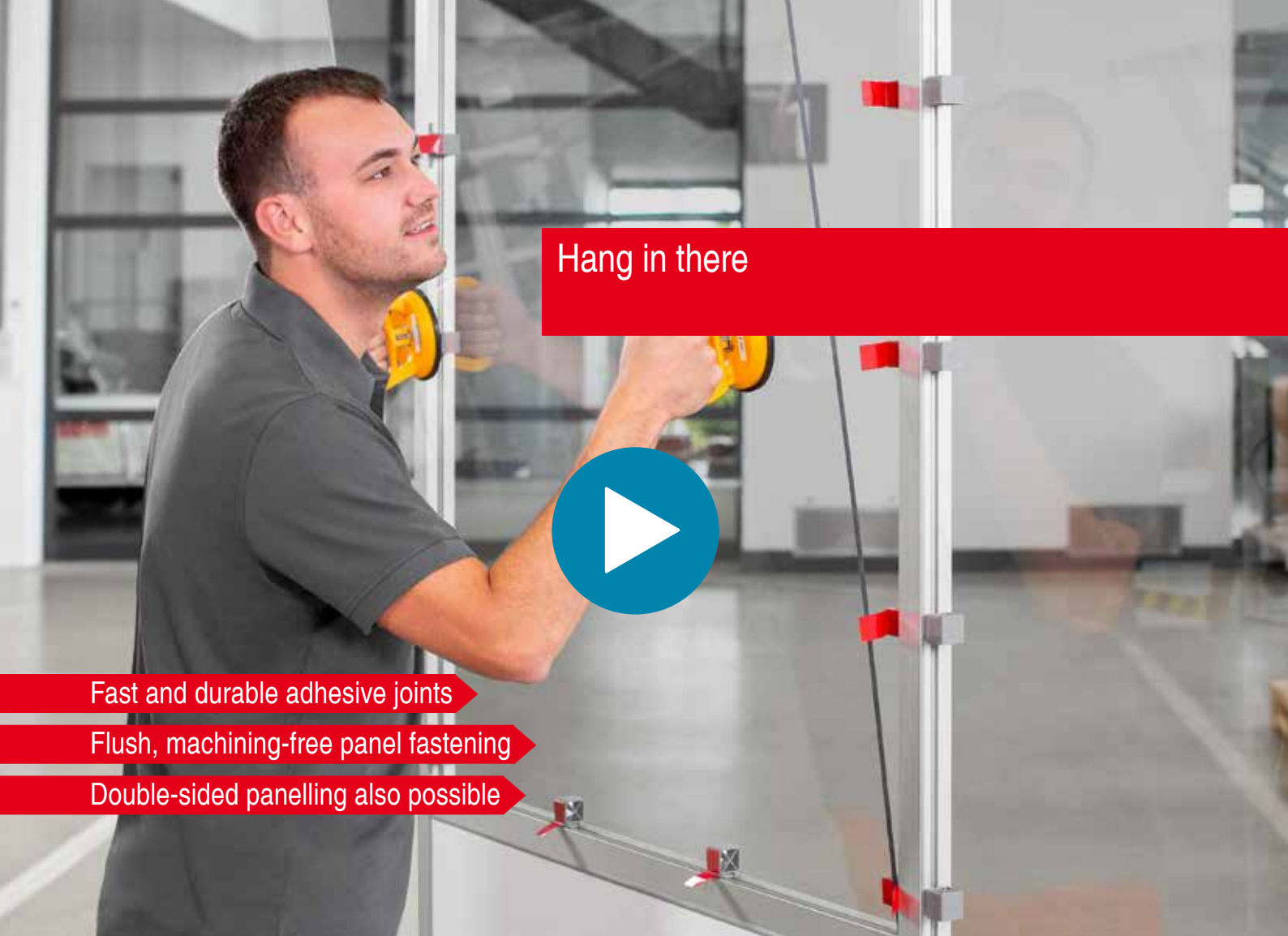
Inside Wall Profile X 8 40x27 has numerous applications such as connecting together 6 mm-thick panels from the inside in combination with item Adhesive Multiblocks. The solid core can accommodate drilled holes. Threads from M8 up to M12 can be tapped into it without any problems.



Inside Wall Profile X 8 40x27

Al, anodized

A [cm ²]	m [kg/m]	I _x [cm ⁴]	I _y [cm ⁴]	I _z [cm ⁴]	W _x [cm ³]	W _y [cm ³]	
6.75	1.82	5.59	7.30	2.68	4.14	3.65	
natural, cut-off max. 6000 mm							0.0.702.05
natural, 1 pce., length 6000 mm							0.0.698.25



Hang in there



Fast and durable adhesive joints

Flush, machining-free panel fastening

Double-sided panelling also possible



Adhesive Multiblocks 8 and accessories

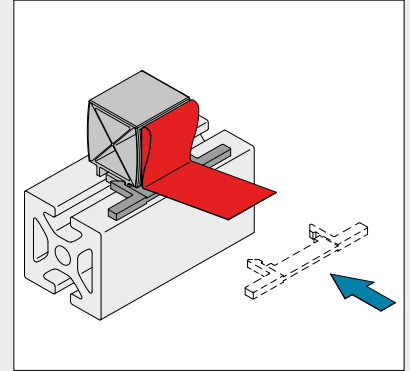
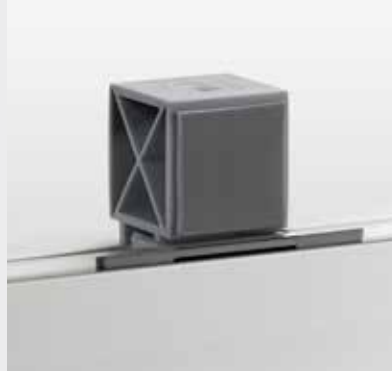
Don't screw – glue! Adhesive Multiblocks from item are the ideal solution for fixing panels in profile frames flush, fast and free from any machining work. This adhesive technology can even be used to create double-sided panelling in openings – all without a screw in sight. This means that machine cladding with smooth sides can be created in next to no time.

Simply twist Adhesive Multiblock 8 into a Line 8 groove without having to use any tools. It is available in variants for panels in thicknesses of 4, 6 and 10 mm. Adhesive Multiblocks with adhesive pads on both sides are available to create double-walled structures. To maximise the stability of the panel, one Adhesive Multiblock should be positioned as closely as possible to each corner. The maximum gap between two Multiblocks should not exceed 300 mm.

When used with panel elements in an appropriate thickness, the outer surface will fit flush with the profile. It is advisable to leave a gap of 3 mm around all the edges. Spacers 3mm for Adhesive Multiblock 8 should be used to ensure panels are positioned perfectly. In the case of upright panels, spacers absorb loads mechanically. The Spacers also make installation easier and hold the panel in place while the protective film covering the adhesive pad is drawn out from under the panel.

NB: Adhesive Multiblocks are designed for use indoors. Hanging panel loads should be supported with an additional mechanical means.





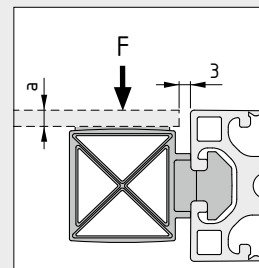
The strong adhesive pads of the Adhesive Multiblocks are covered with red protective film. During installation, the panel is first laid against the Adhesive Multiblock and the protective film is then pulled off from between the two. A video demonstrating the assembly process can be found in the item Academy: academy.item24.com

Spacer 3mm for Adhesive Multiblock 8 (0.0.696.56) ensures the recommended gap size is maintained.

It simply clips onto the plinth of an Adhesive Multiblock to make installation and positioning work easier.

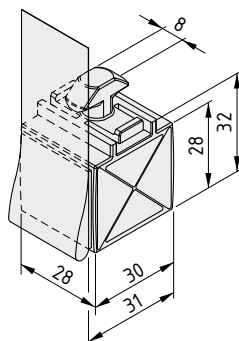


Adhesive Multiblock	a [mm]	F [N]
8 4mm	4	250
8 2x4mm	4	250
8 6mm	6	250
8 2x6mm	6	250
8 10mm	10	250
8 2x10mm	10	250



The following applies to all the products below:

- Adhesive Multiblock, PA, grey
- VHB pad: Acrylic adhesive (100% closed-cell)
- VHB liner: PE film, silicone coated



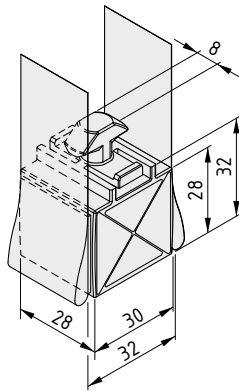
Adhesive Multiblock 8 4mm



m = 11.5 g

grey similar to RAL 7042, 1 PU = 10 pcs.

0.0.698.20



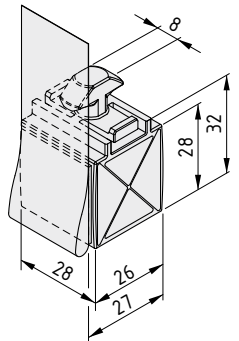
Adhesive Multiblock 8 2x4mm



m = 12.3 g

grey similar to RAL 7042, 1 PU = 10 pcs.

0.0.698.21



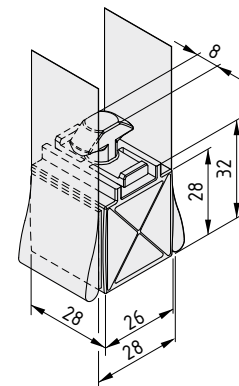
Adhesive Multiblock 8 6mm



m = 11.0 g

grey similar to RAL 7042, 1 PU = 10 pcs.

0.0.696.37



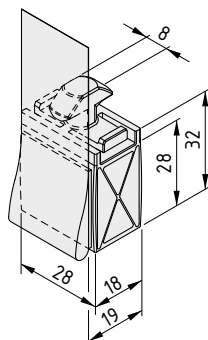
Adhesive Multiblock 8 2x6mm



m = 11.8 g

grey similar to RAL 7042, 1 PU = 10 pcs.

0.0.696.36



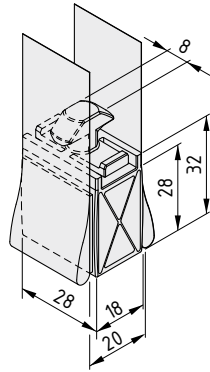
Adhesive Multiblock 8 10mm



m = 9.6 g

grey similar to RAL 7042, 1 PU = 10 pcs.

0.0.698.22



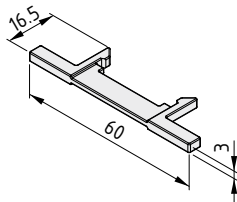
Adhesive Multiblock 8 2x10mm



m = 10.4 g

grey similar to RAL 7042, 1 PU = 10 pcs.

0.0.696.02



Spacer 3mm for Adhesive Multiblock 8

PA

m = 1.1 g

grey similar to RAL 7042, 1 pce.

0.0.696.56

Snow White

Plastic material coloured right through

High surface quality

6 mm-thick cladding

Plastic and Acrylic Glass

Dense and slim! These white, 6 mm-thick panels made of plastic are resistant to wear and impacts. The material is coloured all the way through, giving it a stunning look all round – even at the edges and when machined.

Plastic 6mm is made of HPL. This thermosetting material is used for strong cladding on machine cabins, for table tops and in room dividers. Due to their sealed surface, the panels exhibit excellent mechanical values and temperature resistance. The material is also resistant to many chemicals.

When installed with item Adhesive Multiblock 8 6mm (0.0.696.37), Plastic 6mm can create flush-fitting cladding.

NB: Panel elements made of Plastic must be stored lying flat until they are to be installed. If stored improperly the material can become distorted due to its weight.



Property	Value	Test standard
Density	1.4 g/cm ³	EN ISO 1183-1
Wearing resistance	150 min ⁻¹	EN 438-2:2016
Scratch resistance	2 degrees	EN 438-2:2016
Flexural strength	80 N/mm ²	EN ISO 178
Modulus of elasticity	9000 N/mm ²	EN ISO 178
Tensile strength	60 N/mm ²	EN ISO 527-2
Coefficient of thermal expansion	20 x 10 ⁻⁶ K ⁻¹	DIN 52612
Construction material class	B 2	DIN 4102
Surface resistance	10 ⁹ – 10 ¹² Ohm	IEC 61340-5-1

Plastic 6mm

Resin-bonded cellulose laminate
 Thickness tolerance $\pm 8\%$
 $m = 6.75 \text{ kg/m}^2$

all-round white similar to RAL 9003, cut-off max. 2770x2040 mm	0.0.687.83
all-round white similar to RAL 9003, 1 pce. panel dim. approx. 2800x2070 mm	0.0.685.73



When installed with Adhesive Multiblock 8 4mm (0.0.698.20), Acrylic Glass 4mm GS is an ideal transparent panel element. The clear panels are manufactured in a casting process to ensure they exhibit exceptionally high-quality optical properties. Acrylic Glass is resistant to many aggressive chemical substances as well as light, water, alkalis and aqueous solutions composed of inorganic salts. The different thermal expansion of Acrylic Glass and aluminium must be factored in with regard to tolerances.

Property	Value	Test Standard
Density	1.19 g/cm ³	DIN EN ISO 1183
Light transmission	$\geq 90 \%$	DIN EN ISO 13468-2
Refractive index	1.49 n_D^{20}	DIN EN ISO 489
Tensile strength	$\geq 70 \text{ Mpa}$	DIN EN ISO 527-2
Flexural strength	$\geq 100 \text{ Mpa}$	DIN EN ISO 178
Modulus of elasticity	$\geq 2900 \text{ Mpa}$	DIN EN ISO 178
Charpy impact strength (without notch)	$\geq 13 \text{ kJ/m}^2$	DIN EN SO 179-1
Coefficient of thermal expansion	$70 \times 10^{-6} \text{ x K}^{-1}$	ISO 11359-2
Thermal conductivity	0.18 W/mK	DIN EN ISO 22007-1
Vicat softening temperature	$\geq 105 \text{ }^\circ\text{C}$	DIN EN ISO 306 Procedure B50
Surface resistance	$\geq 10^{-15} \Omega$	IEC 61340-5-1
Construction material class	B2	DIN 4102
	HB	UL94
Fire behaviour	E	DIN EN 13501-1

Acrylic Glass 4mm GS

PMMA
 Thickness tolerance $\pm 10\%$
 $m = 4.72 \text{ kg/m}^2$

clear, cut-off max. 3020x2000 mm	0.0.705.96
clear, 1 pce. panel dimensions. approx. 3050x2030 mm	0.0.705.95

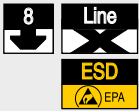


Wide and deep

Stable panels with grooves on both sides

Variable fixing of workpieces

Precise modular dimension on large panels



Groove Plate X 8 40, light

Sometimes you just need more grooves! Groove Plate X 8 40 can be used to build large, sturdy working surfaces or complete walls with continuous grooves stretching from one end to the other. The manufacturing process for this product ensures that the grooves are positioned exactly 40 mm apart. This means that the repeat accuracy when dismantling and then reassembling fixtures is excellent.

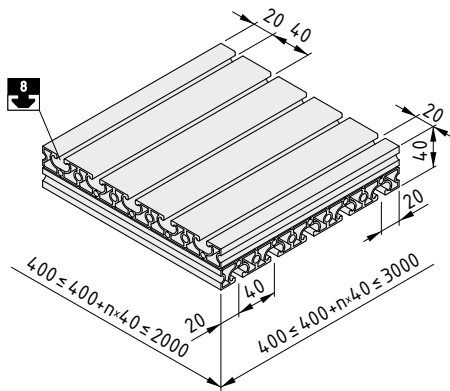
When used as a working surface, workpieces can be easily and flexibly fastened in the grooves. Fixtures, machinery and tools can also be positioned in the working area in a few swift moves.

Torsion-resistant Groove Plate X 8 is double sided and, as the grooves on either side run at a 90° angle to each other, they can be used in either a side-to-side or front-to-back orientation. The grooves are designed for extraction forces up to 2500 N.

Caps can be pushed onto all the sides of Groove Plate X 8 40, light to cover over sharp outer edges with no need to deburr anything. The ends of the grooves are not sealed, which makes cleaning easier. The open ends also make it easier to slot in T-Slot Nuts and other fastening materials at the end face. If only one groove is available, the 80 mm-wide Cap can be simply cut in half along the central notch using item Multi-Purpose Pliers. The subtle grey colouring reflects the colour of the anodized aluminium profiles.

Note: Groove Plate Profile 8 400x14 (0.0.678.02) is available for lightweight applications such as mounting hooks and holders.





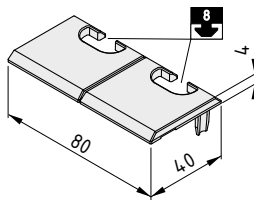
Groove Plate X 8 40, light



Al, anodized
m = 35.60 kg/m²

natural, cut-off max. 3000x2000 mm in 40 mm intervals

0.0.705.30



Cap, Groove Plate X 8 80x40



PA-GB
m = 9.0 g

grey similar to RAL 7042, 1 pce.

0.0.704.81



No entry

Identification of sensitive areas

Prevents unintentional access

Simple to install

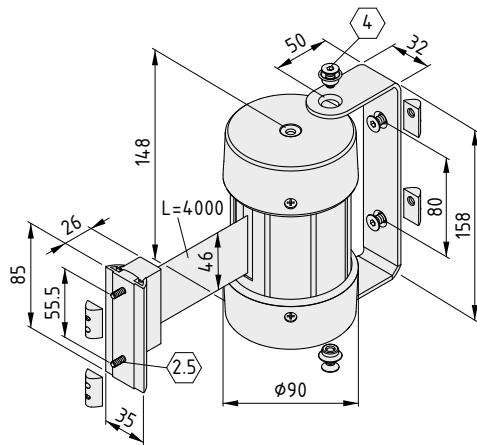


Cassette Belts 4m

Additional protection for sensitive areas! Barrier belts are used to limit access and stop people from unintentionally entering working areas. This ensures you can mark off hazard areas or an Electrostatic Protected Area (EPA).

The 4000 mm-long barrier belt is available either in yellow with EPA printed on it or with yellow and black warning markings. A spring in the belt cassette keeps the belt under tension and ensures it can be easily extended and retracted. The cassette and the fixing can be mounted on profiles, posts and any walls.





Cassette Belt 4m



Partially preassembled
 Belt cassette, Al
 2 caps, PA, black
 Belt made from polyester, yellow and black
 Fastening set, St
 m = 1.0 kg

yellow/black, 1 set

0.0.694.54

Cassette Belt 4m EPA



Partially preassembled
 Belt cassette, Al
 2 caps, PA, black
 Belt made from polyester, yellow printed with EPA
 Fastening set, St
 m = 1.0 kg

1 set

0.0.694.99

A clear edge

Cover over outer edges

Clearly identifiable ESD safety

Available in all standard sizes

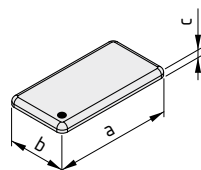


Caps ESD and 5, grey





Certainty at a glance! The new item Caps make it instantly clear what they are to be used for. Grey Caps made of glass-fibre-reinforced plastic are available for all standard profile cross-sections. They save users from having to deburr cut edges and keep dust out, too. Their geometry ensures they have a secure hold even when subjected to vibrations and temperature fluctuations.

Black Caps with a yellow ESD label offer the same benefits but are made of PA-ESD. These Caps ensure a surface resistance of $<10^6 \Omega$ and are therefore intended for use in production areas with sensitive electronic components. Their electrostatically dissipative properties make them suitable for use in an EPA (electrostatic protected area).

A wide variety of Caps to suit your requirements are available in the item Online Shop.



Materials used in all the following products:
PA-ESD

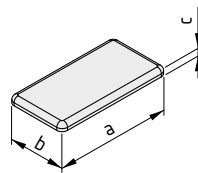
Cap 5 40x10 ESD		
a = 40 mm b = 10 mm c = 2.5 mm m = 1.0 g		
black, 1 pce.		0.0.696.54
Cap 5 20x20 ESD		
a = 20 mm b = 20 mm c = 2.5 mm m = 1.0 g		
black, 1 pce.		0.0.696.51

Cap 5 40x20 ESD		
a = 40 mm b = 20 mm c = 2.5 mm m = 2.3 g		
black, 1 pce.		0.0.696.52
Cap 5 40x40 ESD		
a = 40 mm b = 40 mm c = 2.5 mm m = 4.8 g		
black, 1 pce.		0.0.696.53
Cap 8 40x16 ESD		
a = 40 mm b = 16 mm c = 4 mm m = 2.0 g		
black, 1 pce.		0.0.696.31
Cap 8 80x16 ESD		
a = 80 mm b = 16 mm c = 4 mm m = 4.0 g		
black, 1 pce.		0.0.696.32



Materials used in all the following products:

PA-GF



Cap 5 40x10	
a = 40 mm b = 10 mm c = 2.5 mm m = 1.0 g	
grey similar to RAL 7042, 1 pce.	0.0.638.46
Cap 5 20x20	
a = 20 mm b = 20 mm c = 2.5 mm m = 1.0 g	
grey similar to RAL 7042, 1 pce.	0.0.638.35
Cap 5 40x20	
a = 40 mm b = 20 mm c = 2.5 mm m = 2.3 g	
grey similar to RAL 7042, 1 pce.	0.0.638.40
Cap 5 40x40	
a = 40 mm b = 40 mm c = 2.5 mm m = 4.8 g	
grey similar to RAL 7042, 1 pce.	0.0.638.41

Standpoint

Slope compensation via ball-and-socket joint

Stepless height adjustment

ESD-safe



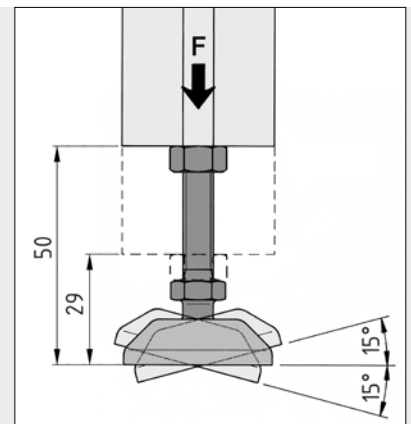
Knuckle Foot D40 ESD, M8x60, stainless

Standing strong thanks to dual compensation. The steplessly height-adjustable Knuckle Foot D40 ESD, M8x60 is made of a special, electrostatically dissipative polyamide. Its angle-adjustable foot plate helps it to compensate for unevenness in floors.

The stainless Knuckle Foot can be installed in the core bore of a profile via a tapped M8 thread. The minimum foot height is obtained by removing the hexagon nut.

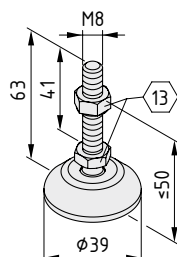
Thanks to its ESD-safe design, the Knuckle Foot is ideal for use in an electrostatic protected area (EPA). The ESD marking is on the underside of the foot plate.

The load-carrying capacity of the product is 1000 N. If applications involve particularly heavy loads, item Knuckle Feet in stainless steel can be used.



Load F (vertical) = 1,000 N

A ball and socket joint compensates for slopes.



Knuckle Foot D40 ESD, M8x60

Spindle, St, stainless
Foot plate, PA, black
Hexagon nut DIN 934 M8, St, stainless

stainless, 1 pce.



0.0.697.93



Build lean – with the Lean Production Building Kit System

End Caps D30 H43

Transverse Fastener D30-70 rotating

Transverse Fastener D30-60

Label Profile D30 e ESD

Fastening Profile D30 0-20° e ESD

Display Hanger H57 31.2x1.5-93 ESD

Display Hanger Profile H57 31.2x1.5 ESD

Label Hanger Clip D30 T2

Roller Conveyor Support 30-50

Castor Ball Insert D16-33 ESD

Bearing Block 8 80x80-50

Rotational Damper Sets 8Nm 4kt10

Assembly Tool D30/D5.2-30



Holding back

Raised end piece

Keeps hanging parts in place during transport

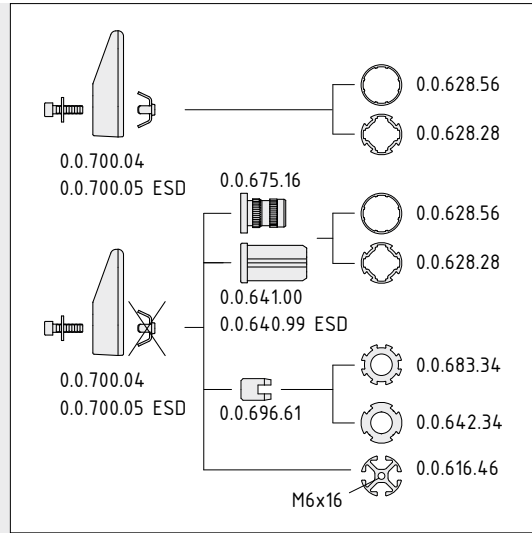
Thick-walled, safe holder



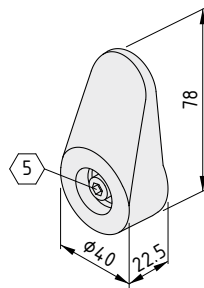
End Caps D30 H43

Making sure everything stays in place! End Cap D30 H43 is a raised end piece for (Profile) Tubes. It ensures that cables or rubber door seals that have been draped over a profile won't slide off the end. The thick-walled design with rounded edges ensures products aren't damaged when removed. This product can turn any cylindrical D30 aluminium profile into a large hook.

The End Cap is simply screwed onto the end face of a Tube D30 or Profile Tube D30 using the preassembled claw fixing. This produces a torsion-resistant connection without the need for any additional steps. The claw of the fixing can also be removed so the End Cap can be screwed to an M6 thread in Profile Tube D30 heavy duty or Profile 6 D30. This eliminates the anti-torsion feature.



End Cap D30 H43 ESD (0.0.700.05) is available for ESD-safe transport trolleys and racks.



End Cap D30 H43

Preassembled
End Cap D30 H43, PA-GF
Internal fastener D30 claw
Hexagon Socket Head Cap Screw DIN 912 M6x22, St, bright zinc-plated
Washer, St, bright zinc-plated
m = 47.8 g

grey similar to RAL 7042, 1 pce.

0.0.700.04

End Cap D30 H43 ESD



Preassembled
End Cap D30 H43, PA-ESD
Internal fastener D30 claw
Hexagon Socket Head Cap Screw DIN 912 M6x22, St, bright zinc-plated
Washer, St, bright zinc-plated
m = 48.3 g

black similar to RAL 9005, 1 pce.

0.0.700.05

Degrees of freedom

Freely selectable angle

Angles can be retrospectively adjusted

Very compact design



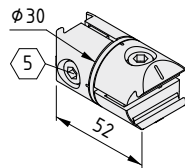
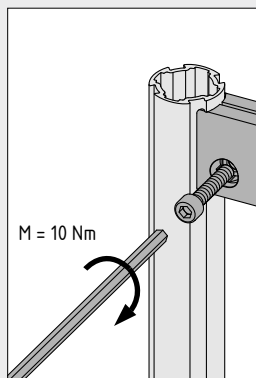
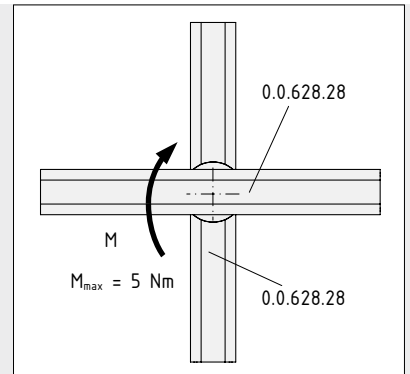
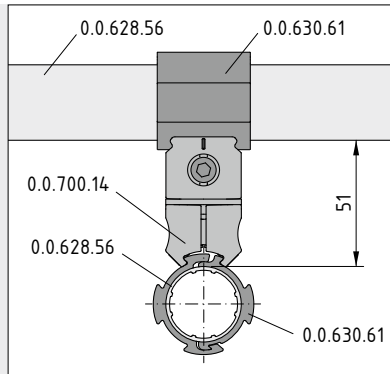
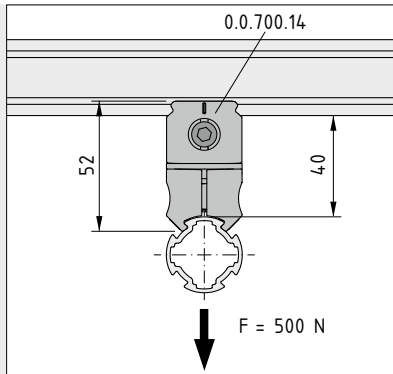
Transverse Fastener D30-70 rotating

More freedom when connecting crossing profiles! Transverse Fastener D30-70 rotating creates a stable connection at any angle. This means you can build additional rigidity into a frame by incorporating crossing profiles as necessary. The mounting dimension of 70 mm makes the rotating Transverse Fastener very compact.

Angles can also be easily adjusted retrospectively, simply by loosening the clamping jaws on one side of the Fastener. This ensures you can quickly modify the gradient on a frame that is clamped in position within a construction.

Transverse Fastener D30-70 rotating is supplied preassembled. It can be used with any component that features the flank geometry of the Lean Production Building Kit System.

NB: Ball Joint Transverse Fastener D30 (0.0.683.69) is used to connect crossing struts in any three-dimensional arrangement.



Transverse Fastener D30-70 rotating



- Preassembled
- 4 internal Fastener D30 clamping jaws, die-cast Al, natural
- Double flange D30-10, St, bright zinc-plated
- 2 Hexagon Socket Head Cap Screws DIN 912 M6x20, St, bright zinc-plated
- 2 hexagon nuts DIN 934 M6-8, St, bright zinc-plated
- 2 washers, St, bright zinc-plated
- M = 10 Nm m = 94.5 g

1 pce.

0.0.700.14

Crossing the profiles

Transverse Fastener in the modular dimension

At a 90° angle

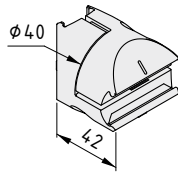
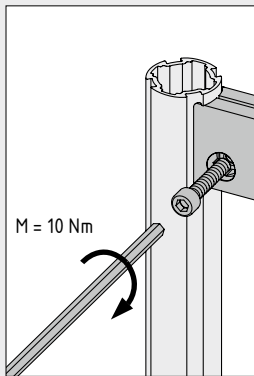
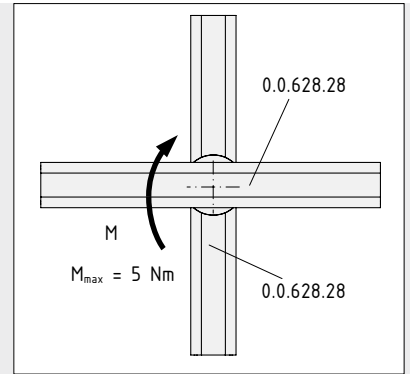
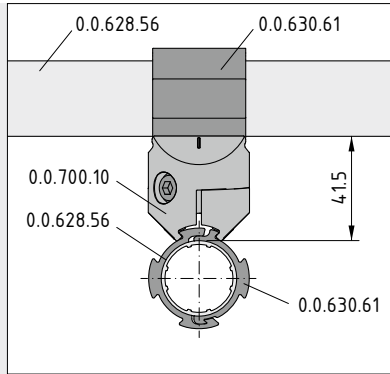
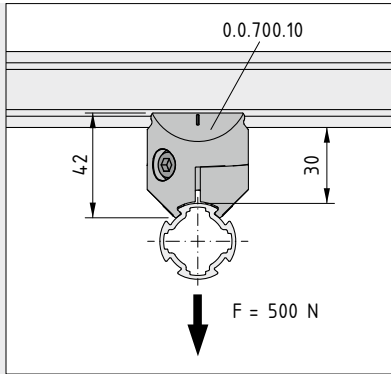
Preassembled



Transverse Fastener D30-60

A right angle in the modular dimension! Transverse Fastener D30-60 can be used to connect together two crossing Profile Tubes D30 at a 90° angle to each other. The distance between the two connected profiles is 60 mm, as opposed to the 48.5 mm spacing when using Transverse Fastener D30 (0.0.637.90). This means crossing profiles that are fastened to Double Profile Tubes D30-60 (0.0.682.60) can be connected in the correct modular dimension.

Transverse Fastener D30-60 is supplied preassembled. Simply put it in place and tighten it for a secure hold. To reinforce pre-existing structures, the fastener halves can also be fitted separately, pushed into position and then screwed together.



Transverse Fastener D30-60



Preassembled
 2 transverse fastener halves, die-cast Al, natural
 Hexagon Socket Head Cap Screw similar to DIN 912 M6x29.4, St, bright zinc-plated
 Hexagon nut DIN 934 M6-8, St, bright zinc-plated
 Compression spring, St, stainless
 M = 10 Nm m = 101.9 g

1 pce.

0.0.700.10

Clear to see



Clear labelling for storage areas

Installation at various angles

ESD-safe

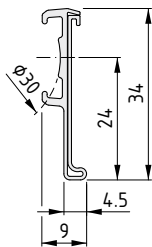
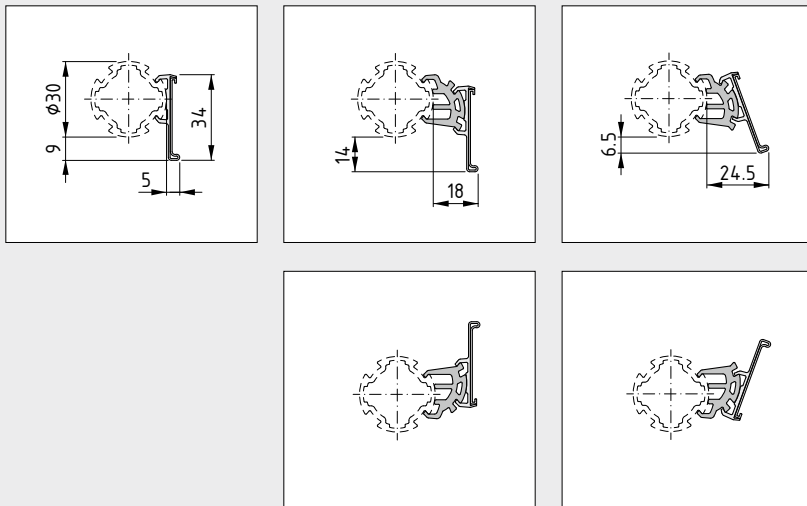


Label Profile D30 e ESD Fastening Profile D30 0-20° e ESD

Always know where things are! Fastening Profile D30 0-20° e ESD and Label Profile D30 e ESD help you maintain an overview during even the trickiest installation scenarios. The Label Profile can either be clipped directly to the flank of a Profile Tube D30 or can be installed on the Fastening Profile.

The geometry of the Fastening Profile allows you to fit labels angled at 0° or 20° up or down. This ensures labels are always clearly legible for compartments situated above and below and on Profile Tubes that are twisted. Furthermore, a continuous Label Profile can be fastened along the entire length of a cross profile, even if the roller conveyor fastening brackets of a FIFO rack take up some sections. To achieve this, the Fastening Profile is fitted in sections.

The asymmetrical design of the strip ensures that neither the holder nor the label protrude over the top edge of the profile, which would put them at risk of being torn off. Labels can be 30 mm high and can be easily slotted into place from above thanks to a wide opening angle. Even if Label Profile D30 e ESD is inverted 180°, the label will not drop out.



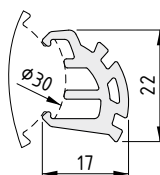
Label Profile D30 e ESD



ABS-ESD
m = 137.9 g

transparent, 1 pce., length 2000 mm

0.0.691.83



Fastening Profile D30 0-20° e ESD



PP-ESD
m = 203.1 g

black similar to RAL 9005, 1 pce., length 2000 mm

0.0.691.79

Digital hang-ups?

Holder profile for E-Paper Displays

Designed to suit many models from SoluM

ESD-safe design



Display Hanger H57 31.2x1.5-93 ESD Display Hanger Profile H57 31.2x1.5 ESD Label Hanger Clip D30 T2

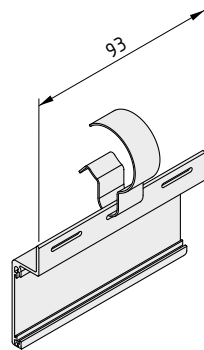
Organisation made simple! Display Hanger Profile H57 31.2x1.5 ESD is a practical mounting system for electronic shelf labels. These battery-operated displays are digital labelling solutions for use in warehouses. They support interactive barcode and price displays, consume very little power and can have their labels changed via radio or WLAN.

The Display Hanger Profile can be cut to custom lengths. Display Hanger H57 31.2x1.5-93 ESD has been designed for the dimensions of the 93 mm E-Paper system from SoluM. The rectangular housing of the E-Paper clips into the hanger, which means it can then be easily and securely fastened to tube constructions.

The Display Hanger and Display Hanger Profile H57 31.2x1.5 ESD are suspended from frames using Label Hanger Clip D30 T2. Label Hanger Clip D30 T2 features a rounded upper half that does not have the top insertion tab found on Label Hanger Clip D30. When working with racks, this makes it easier to pull containers out over the profile.

Clip T2 can also be used to fasten in place Label Hanger D30-100 (0.0.654.92) for label cards.





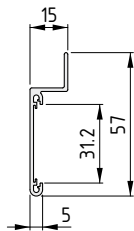
Display Hanger H57 31.2x1.5-93 ESD



Display Hanger Profile H57 31.2x1.5 ESD
Label Hanger Clip D30 T2
m = 21.0 g

1 set

0.0.701.74

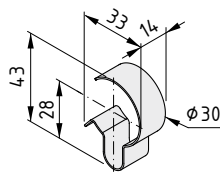


Display Hanger Profile H57 31.2x1.5 ESD



PP-ESD
m = 112.0 g/m
black, 1 pce., length 2000 mm

0.0.698.94



Label Hanger Clip D30 T2



St, bright zinc-plated
m = 8.0 g

1 pce.

0.0.704.54

Stay on track

For Roller Conveyor St with Guide Rails

Prevents sideways displacement

No break in the Guide Rails



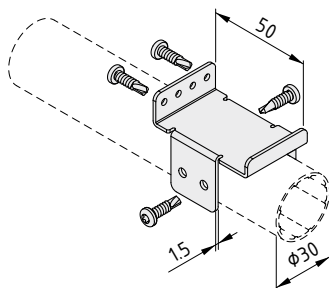
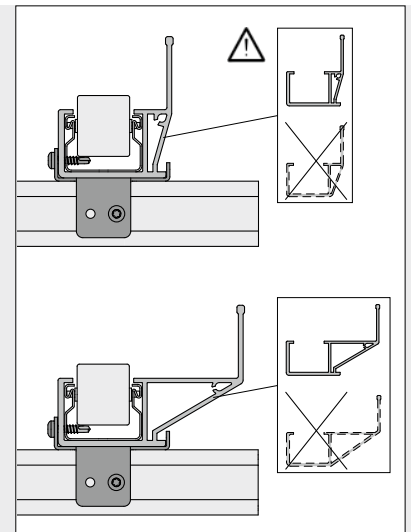
Roller Conveyor Support 30-50

Keeping things on the straight and narrow! Roller Conveyor Support 30-50 fastens a Roller Conveyor St and Guide Rail to an additional cross profile. The Support stops a long conveyor line from being pushed to the side and reduces excessive profile deflection. The end result is that heavy containers can be guided safely and securely over long distances.

Roller Conveyor Support 30-50 is screwed to the Roller Conveyor St and Guide Rail using the enclosed self-tapping screws. The Guide Rails are supported continuously and do not need to be cut away. The geometry is compatible with both Roller Conveyor St Guide Rail e 32 and the wider Roller Conveyor St Guide Rail e 65.

Roller conveyors that are not fitted with Guide Rails can be supported using Roller Conveyor St, Support D30 (0.0.647.10) and Roller Conveyor St, Support D30 H22 (0.0.658.18).

NB: When positioning the Support, ensure the screws are located between the roller elements and are not touching them. Roller Conveyor St Guide Rails e 32 and e 65 must have the new base geometry (deliveries from May 2020).



Roller Conveyor Support 30-50

St, bright zinc-plated
4 Button-Head Screws, self-tapping St, 3.9x16, TX20, bright zinc-plated
m = 46.3 g

1 set

0.0.690.95



A compact role

For Roller Conveyor 6 40x40 E D30

Tight packing density

Variable conveying height

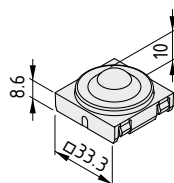


Castor Ball Insert D16-33 ESD

Fluid movement to wherever you want! Castor Ball Insert D16-33 ESD moves transported goods in any direction with very low friction. As a result, the castor balls enable changes of direction on Karakuri/LCA applications and on transport lines.

This Insert for Roller Conveyors 6 40x40 E D30 is just 33 mm long and therefore more compact than Castor Ball Insert ESD (0.0.620.26) for Castor Rail 8 40x40. This means more roller elements can be fitted in for every metre. This high packing density leads to especially smooth movement because containers are in contact with more castor balls. In many cases, this also means that roller conveyors can be built with a lower gradient.

The Castor Ball Insert is supplied preassembled and is ESD-safe. If necessary, the castor ball can be replaced with a Brush Set ESD (0.0.622.24). Furthermore, the height of the castor ball – and therefore the conveying height – can be varied by 0.5 mm depending on the mounting arrangement of the frame.



Castor Ball Insert D16-33 ESD



Preassembled
 Castor ball D24, St
 Cage for Castor Ball Insert, PA ESD
 m = 46.5 g
 1 pce.

0.0.700.18

Impulse control

Dampens rotational movement

Scalable braking torque

Secure under exposure to load changes



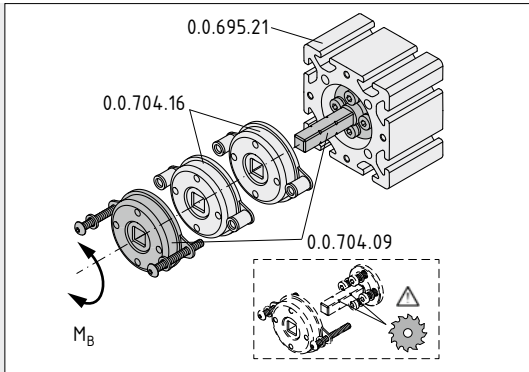
Bearing Block 8 80x80-50 Rotational Damper Sets 8Nm 4kt10

A powerful response to load changes! If moving components build up considerable momentum, systems can be overwhelmed, thereby putting staff at risk. Bearing Block 8 80x80-50 with rotational dampers uses multi-stage damping to reliably absorb even high torques and thus control rotary motion.

The key component is easy-running Bearing Block 8 80x80-50. This precise rotary bearing can be used in opposing pairs or as a one-sided bearing. Rotational Damper Set 8Nm 4kt10 M5-68 T1 is used to ensure rotary motions are gentle and controlled. The braking torque can be extended with up to two Rotational Damper Sets 8Nm 4kt10 5.5-68 T2. This means braking torque can be scaled to 8, 16 or 24 Nm.

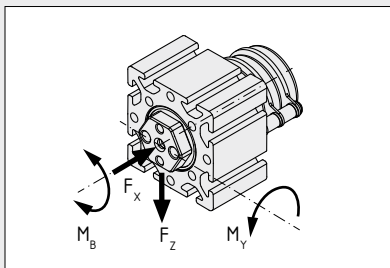
As required by CE standards, the rotational damper prevents the uncontrolled acceleration of an assembly and thus impact injuries. The sturdy Bearing Block is connected to a load-bearing construction via Line 8 grooves.



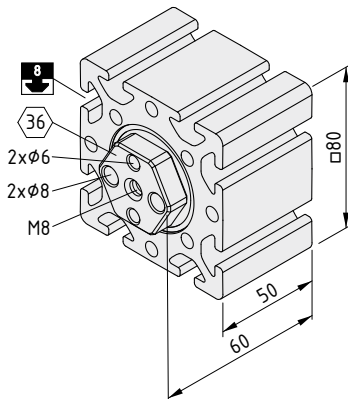


Bearing Block 8 80x80-50 (0.0.695.21) can be fitted with up to three rotational dampers, as required. Rotational Damper Set T1 (0.0.704.09) uses a square spindle as an axle. To prevent injuries, this spindle must be cut to size if fewer than three rotational dampers are being used on Bearing Block 8 80x80-50.

$M_B = 0 \text{ Nm}/8 \text{ Nm}/16 \text{ Nm}/24 \text{ Nm}$
 $M_B = \text{Max. braking torque}$



$M_B = 0 \text{ Nm}/8 \text{ Nm}/16 \text{ Nm}/24 \text{ Nm}$
 $M_Y = 45 \text{ Nm}$
 $F_x = 1000 \text{ N}$
 $F_z = 3000 \text{ N}$

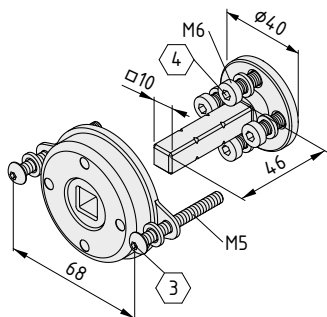


Bearing Block 8 80x80-50



Preassembled
 Profile housing 80x80-50, Al, anodized
 Shaft D25-38.5 36A/F M8, Al
 Bearing cover D40/D8-8, Al
 2 deep groove ball bearings 6005, St
 2 circlips DIN 472, St
 Dowel pin ISO 8734 5m6x16, St, bright zinc-plated
 Countersunk Screw DIN 7991 M8x20, St, bright zinc-plated
 $m = 693.0 \text{ g}$

1 pce. 0.0.695.21

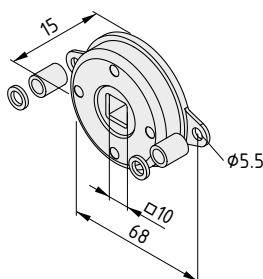


Rotational Damper Set 8Nm 4kt10 M5-68 T1



Driving flange D40-10x10-46, St, bright zinc-plated
 Rotational damper 8 Nm
 2 Button-Head Screws ISO 7380 M5x45, St, bright zinc-plated
 4 Hexagon Socket Head Cap Screws DIN 7984 M6x14, St, bright zinc-plated
 6 washers, St, bright zinc-plated
 $m = 206.2 \text{ g}$

1 set 0.0.704.09



Rotational Damper Set 8Nm 4kt10 5.5-68 T2



Rotational damper 8 Nm
 2 spacer sleeves D9.5/6.4-12, St, bright zinc-plated
 2 washers, St, bright zinc-plated
 $m = 93.0 \text{ g}$

1 set 0.0.704.16

Hammer time

For use with Conveyor Rollers TR30

Careful insertion of the bearing

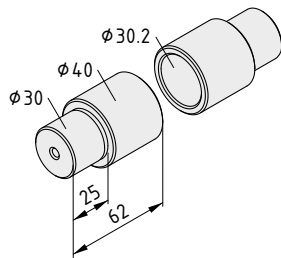
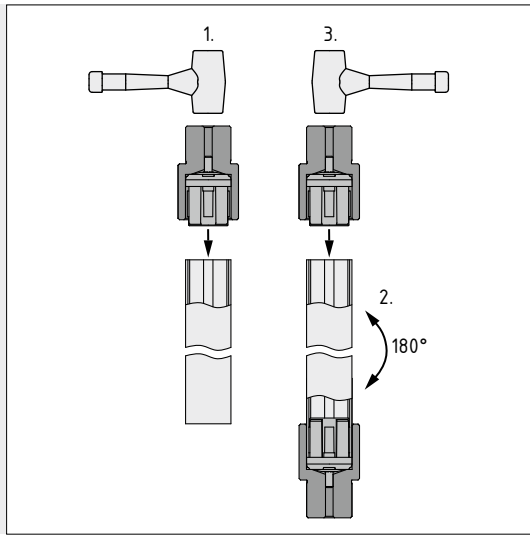
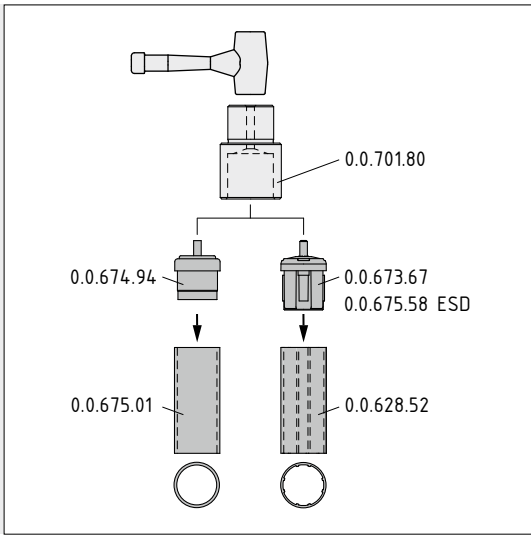
Protects the bearing and axle



Assembly Tool D30/D5.2-30

Careful assembly! Assembly Tool D30/D5.2-30 is a practical aid for building conveyor lines with item Conveyor Rollers TR30. The robust aluminium bushing is used to press Bearing Flange D27/D5 (0.0.673.67) carefully and evenly into Tube D30.

The Assembly Tool covers over the axle of the Bearing Flange so that a hammer can be used to install it in a Tube D30x1.8 KU (0.0.675.01) made of plastic or a Tube D30 (0.0.628.52) made of aluminium. The set contains two aluminium bushings to protect the axles on both sides.



Assembly Tool D30/D5.2-30



Al
m = 222.0 g

1 set

0.0.701.80



Boost efficiency – with the item Automation System

Linear Unit KGT 6 60 P20

Drive Sets KGT 6 60

item MotionKits Linear Unit KGT 6 60 P20

Profiles X 8 80x80 M45 - XMS

Fastening Sets 8 80x80 - XMS

Cover Profiles X 8 80x80 M45 - XMS

Base Plates X 8 80x80

Hinge X 8 AI FP4



Length advantage

Compact housing with long stroke/travel distance

High levels of precision and dynamics

Quiet, low-vibration running



Linear Unit KGT 6 60 P20 Drive Sets KGT 6 60

Compact, precise and dynamic! Linear Unit KGT 6 60 P20 combines a ball screw drive that has a stroke of up to 2600 mm with a strong carriage, and does so in the smallest of installation spaces.

In applications with a long travel distance, travelling spindle supports keep everything running smoothly and precisely without sacrificing dynamics. Radial stabilisers on the inside of the axis provide perfect support for the specially shaped spindle regardless of the stroke length and carriage position.

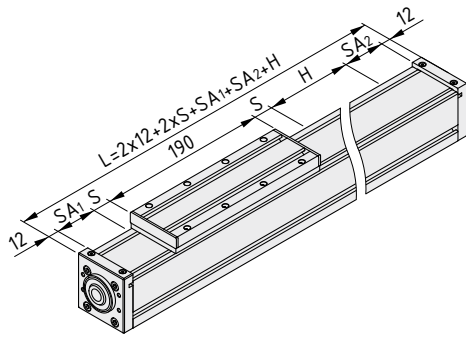
Thanks to its installation dimensions of just 60x60 mm and two Line 6 grooves on its side flanks, Linear Unit KGT 6 60 is very easy to integrate into constructions. Featuring a spindle lead of 20 mm per revolution, the system can reach a speed of up to 1 m/s, even at maximum stroke. Acceleration is up to 15 m/s².

The carriage runs on two recirculating ball units that exhibit minimal reversal play during a change of direction. This enables reliable positioning with a repeatability of 0.01 mm at a high feed force of up to 1000 N. The powerful ball screw unit is thus ideal as a single axis for moving tools and workpieces with absolute precision. When combined with additional KGT 6 60 units and other item Linear Units, the spindle axis can be used to build precise and strong 2D and 3D gantries.

An unbroken cover strip conceals the inner workings and therefore provides protection from soiling. The spindle is low-maintenance and features lifetime lubrication.

These plug-and-play solutions can be connected to item Motors in 40 mm and 60 mm sizes without the need for additional machining. Drive Set KGT 6 60 universal is available for use with other drives.

The whole selection and design process can be completed in next to no time when using item MotionDesigner®. The software maps out the entire system to suit your transport task. The Linear Unit is supplied as a ready-to-install solution in a custom length.



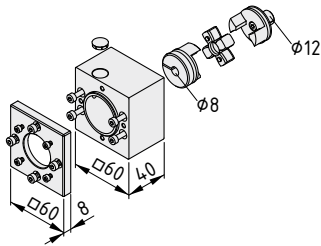
Linear Unit KGT 6 60 P20



Maximum stroke H_{max}	2600	mm
Safety clearance S	26	mm
Basic mass (when stroke length = 0 mm) m_1	2.6	kg
Mass per mm of stroke m_2	4.6	g/mm
Total mass $m =$	$m_1 + H * m_2$	
Repeatability	0.01	mm
Maximum acceleration	15	m/s^2
Maximum travelling speed	1	m/s
Feed constant	20	mm/r

1 pce.

0.0.706.00



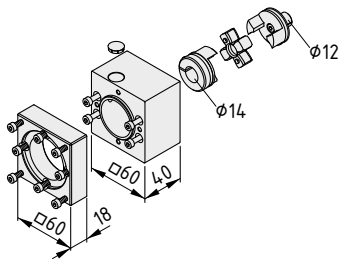
Drive Set KGT 6 60 SE 40



Coupling Housing KGT 6 60, Al
 Adapter plate KGT 6 60 SE 40, Al
 Expanding hub coupling half D30/D12, St and Al
 Coupling Insert D30, PU, blue
 Coupling halves D30/D8, Al
 4 Hexagon Socket Head Cap Screws DIN 912 M3x10, St, bright zinc-plated
 4 Hexagon Socket Head Cap Screws DIN 912 M4x12, St, bright zinc-plated
 4 Hexagon Socket Head Cap Screws DIN 912 M4x40, St, bright zinc-plated
 Cap D30F, PA, grey
 Tightening torque, expanding hub screw: 2.8 Nm
 Tightening torque, clamping hub screw: 2 Nm
 $\eta = 100\%$ $m = 407.0$ g

1 set

0.0.692.53



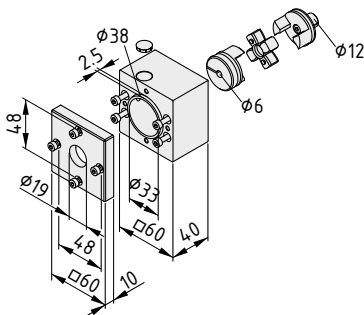
Drive Set KGT 6 60 SE 60



Coupling Housing KGT 6 60, Al
 Adapter plate KGT 6 60 SE 60, Al
 Expanding hub coupling half D30/D12, St and Al
 Coupling Insert D30, PU, blue
 Coupling halves D30/D14, Al
 4 Hexagon Socket Head Cap Screws DIN 912 M4x12, St, bright zinc-plated
 4 Hexagon Socket Head Cap Screws DIN 912 M4x18, St, bright zinc-plated
 4 Hexagon Socket Head Cap Screws DIN 912 M4x40, St, bright zinc-plated
 Cap D30F, PA, grey
 Tightening torque, expanding hub screw: 2.8 Nm
 Tightening torque, clamping hub screw: 2 Nm
 $\eta = 100\%$ $m = 460.0$ g

1 set

0.0.692.55



Drive Set KGT 6 60 - universal



Coupling Housing KGT 6 60, Al
 Adapter plate KGT 6 60 Universal, Al
 Expanding hub coupling half D30/D12, St and Al
 Coupling Insert D30, PU, blue
 D30/D6 coupling halves, Al - reborable up to max. $\varnothing 16$ mm
 4 Hexagon Socket Head Cap Screws DIN 912 M4x12, St, bright zinc-plated
 4 Hexagon Socket Head Cap Screws DIN 912 M4x40, St, bright zinc-plated
 Cap D30F, PA, grey
 Tightening torque, expanding hub screw: 2.8 Nm
 Tightening torque, clamping hub screw: 2 Nm
 $\eta = 100\%$ $m = 427.0$ g

1 set

0.0.704.53



Good to go

All components in one turnkey package

In three standard lengths

Attractive package price



item MotionKits Linear Unit KGT 6 60 P20

Everything included! item MotionKit Linear Unit KGT 6 60 P20 is an all-in-one package for automation projects that includes Linear Unit KGT 6 60 with a Motor, Drive Set, Controller and cables. The item MotionKit is available in three set stroke lengths (600, 1400 and 2600 mm) for an attractive package price.

As a turnkey solution, item MotionKit Linear Unit KGT 6 60 P20 is available directly and can be easily factored into projects thanks to its three standard lengths.

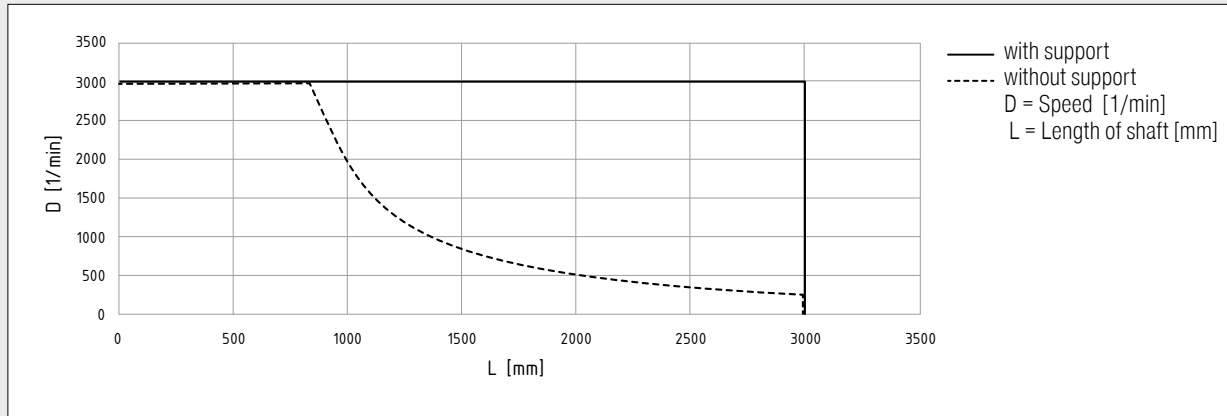
It provides all the benefits of the item Automation System in an all-in-one package. The Linear Unit is easy to program and the item Controller can be used with or without an overarching PLC. item MotionSoft® makes it easier to commission automation systems and independently optimizes controller settings. The interchangeable carriage plate with grooves allows users to connect a whole range of end devices or handling systems.



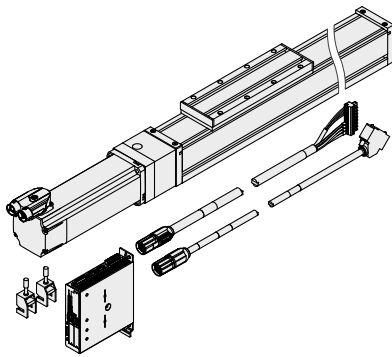
Simply download it! item MotionSoft® helps you get a Linear Unit with Controller up and running straight away:

item24.com/en/service/download-center.html

Maximum spindle speed with and without KGT 6 60 P 20 spindle supports



The spindle supports keep the maximum unsupported spindle length more or less constant. This means the critical speed of 3000 min⁻¹ is constant over the entire possible stroke range.



item MotionKit Linear Unit KGT 6 60 P20-600



Linear Unit KGT 6 60 P20 – 600 mm stroke
 Drive Set KGT 6 60 SE 60
 Motor SE 60-150-3-60-AK-B
 Controller C 1-02
 Power Cable SC1 05/5, orange
 Data Cable AKSC/5, green
 Shield Terminal Block D14, bright zinc-plated

1 set

0.0.702.63

item MotionKit Linear Unit KGT 6 60 P20-1400



Linear Unit KGT 6 60 P20 – 1400 mm stroke
 Drive Set KGT 6 60 SE 60
 Motor SE 60-150-3-60-AK-B
 Controller C 1-02
 Power Cable SC1 05/5, orange
 Data Cable AKSC/5, green
 Shield Terminal Block D14, bright zinc-plated

1 set

0.0.702.64

item MotionKit Linear Unit KGT 6 60 P20-2600



Linear Unit KGT 6 60 P20 – 2600 mm stroke
 Drive Set KGT 6 60 SE 60
 Motor SE 60-150-3-60-AK-B
 Controller C 1-02
 Power Cable SC1 05/5, orange
 Data Cable AKSC/5, green
 Shield Terminal Block D14, bright zinc-plated

1 set

0.0.702.65

Inside out

Cable conduit accessible from outside

Safe cable routing inside the frame

Control and operating elements can be easily integrated



Profiles X 8 80x80 M45 - XMS Fastening Sets 8 80x80 - XMS Cover Profiles 8 80x80 - XMS Base Plates X 8 80x80

These profiles change everything! Profiles X 8 M45 - XMS are extending Line XMS to include the inside-out principle of building machine cabins. This principle is based on cable conduits that run inside the profiles XMS but can be accessed from outside, and intersection point fasteners that allow cables to be fed through them. Compatible Cover Profiles made of aluminium produce a clean, unbroken outer surface. Profiles X 8 M45 - XMS make it easier to carry out commissioning and maintenance work. The integrated cable conduits, which open to the outside, enable a simpler approach to laying the cables for operating and control elements that are used inside the cabin. The Cover Profiles attach easily to the outer side.

Innovative Fastening Sets act as intersection point connectors between vertical and horizontal profiles. They ensure that cables can easily be routed through the frame construction.

Based around a basic pattern of 80x80 mm, Profiles X 8 M45 - XMS come in a range of variants: The inside-facing side is available with Line 8 grooves or an unbroken, easy-to-clean surface. The outer radius can be right-angled or cut off at a 45° angle. Cover Profiles with a straight or rounded shape are available for the 45° variants.

Compatible Base Plates and screw-attached Caps are also available specifically to suit the profiles.

Profiles X 8 M45 XMS are entirely compatible with the MB Building Kit System and use the XMS seal grooves. They can be used to build doors with all-round seals that close perfectly to seal out dirt and dust and noticeably reduce noise levels and emissions.





Control and operating elements can be integrated directly into the outside of the machine cabin and connected with cables running through the cable conduit.



The Fastening Set creates a stable intersection point between vertical and horizontal profiles while also allowing cables to pass through it.

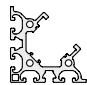

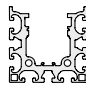
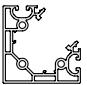
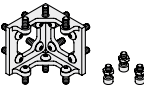
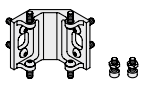
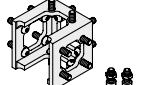




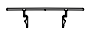
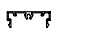
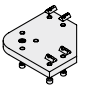
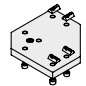

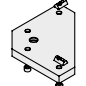

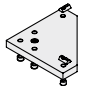
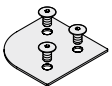
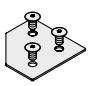
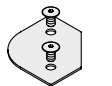
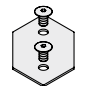
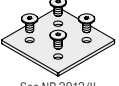
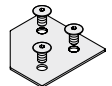


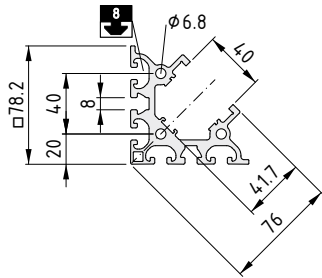
The integrated cable conduits can be accessed from outside. Cover Profiles provide a seamless outer surface that safely covers over the cables.



Screw-attached metal Caps and Base Plates create a clean end point for profiles and ensure cabins have a firm footing.

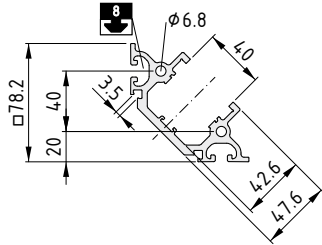
Compatibility of components

Construction profile	 0.0.694.81	 0.0.694.80	 0.0.695.79	 0.0.697.70		
Fastener	 0.0.698.87	 0.0.698.88	 0.0.698.86	×		
Cover Profile	 0.0.694.83	 0.0.694.79	 0.0.694.83	 0.0.694.79	 0.0.697.58	 0.0.697.59
Base Plate	 0.0.698.63	 0.0.698.64	 0.0.704.23	 0.0.704.22	 See NP 2012/II 0.0.652.63	 0.0.703.82
Cap	 0.0.699.71	 0.0.699.72	 0.0.699.70	 0.0.699.69	 See NP 2012/II 0.0.651.39	 0.0.699.72


Profile X 8 80x80 M45-45° - XMS

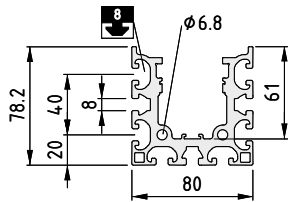

Al, anodized

A [cm ²]	m [kg/m]	I _x [cm ⁴]	I _y [cm ⁴]	I _z [cm ⁴]	W _x [cm ³]	W _y [cm ³]	
14.73	3.98	69.53	69.53	2.66	24.08	24.08	
natural, cut-off max. 6000 mm						0.0.695.56	
natural, 1 pce., length 6000 mm						0.0.694.81	


Profile X 8 40 80x80 M45-45° - XMS

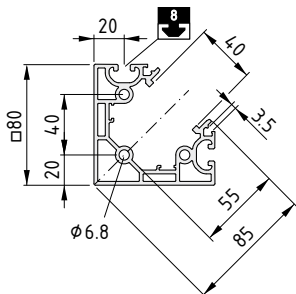

Al, anodized

A [cm ²]	m [kg/m]	I _x [cm ⁴]	I _y [cm ⁴]	I _z [cm ⁴]	W _x [cm ³]	W _y [cm ³]	
10.79	2.91	55.18	55.18	1.46	12.32	12.32	
natural, cut-off max. 6000 mm						0.0.695.55	
natural, 1 pce., length 6000 mm						0.0.694.80	


Profile X 8 80x80 M45 - XMS

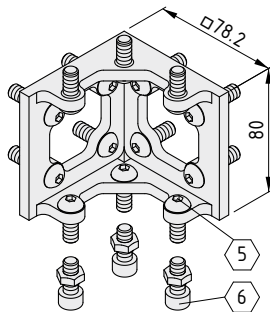

Al, anodized

A [cm ²]	m [kg/m]	I _x [cm ⁴]	I _y [cm ⁴]	I _z [cm ⁴]	W _x [cm ³]	W _y [cm ³]	
18.98	5.12	90.23	137.44	2.91	28.08	34.36	
natural, cut-off max. 6000 mm						0.0.695.80	
natural, 1 pce., length 6000 mm						0.0.695.79	


Profile X 8 80x80 4N90 M45-45° - XMS


Al, anodized

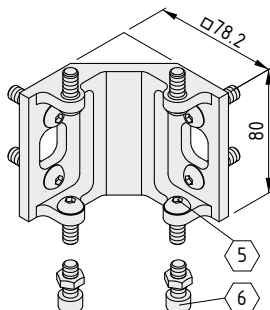
A [cm ²]	m [kg/m]	I _x [cm ⁴]	I _y [cm ⁴]	I _z [cm ⁴]	W _x [cm ³]	W _y [cm ³]	
13.20	3.56	89.30	89.30	9.73	19.00	19.00	
natural, cut-off max. 6000 mm						0.0.700.02	
natural, 1 pce., length 6000 mm						0.0.697.70	


Fastening Set 8 80x80-90° - XMS


Fastener, Al

14 Button-Head Screws ISO 7380-M8x22, St, bright zinc-plated
 3 Hexagon Socket Head Cap Screws DIN 912 M8x20, St, bright zinc-plated
 3 set nuts M8, St
 m = 388.0 g

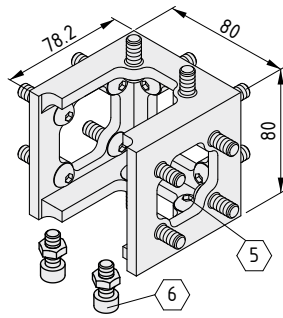
1 set	0.0.698.87
-------	------------


Fastening Set 8 40 80x80-90° - XMS


Fastener, Al

8 Button-Head Screws ISO 7380-M8x22, St, bright zinc-plated
 2 Hexagon Socket Head Cap Screws DIN 912 M8x20, St, bright zinc-plated
 2 set nuts M8, St
 m = 321.0 g

1 set	0.0.698.88
-------	------------

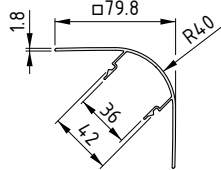


Fastening Set 8 80x80-180° - XMS



Fastener, Al
 16 Button-Head Screws ISO 7380-M8x22, St, bright zinc-plated
 2 Hexagon Socket Head Cap Screws DIN 912 M8x20, St, bright zinc-plated
 2 set nuts M8, St
 m = 494.0 g

1 set 0.0.698.86



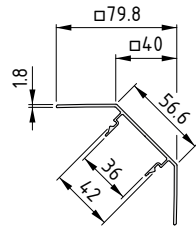
Cover Profile 80x80-R40 M45 - XMS



Al, anodized
 m = 0.88 kg/m

natural, cut-off max. 6000 mm 0.0.695.52

natural, 1 pce., length 6000 mm 0.0.694.83



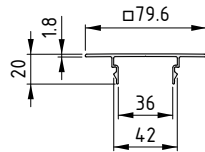
Cover Profile 80x80-45° M45 - XMS



Al, anodized
 m = 0.81 kg/m

natural, cut-off max. 6000 mm 0.0.695.54

natural, 1 pce., length 6000 mm 0.0.694.79



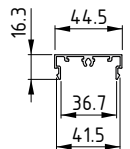
Cover Profile 80 M45 - XMS



Al, anodized
 m = 0.54 kg/m

natural, cut-off max. 6000 mm 0.0.700.01

natural, 1 pce., length 6000 mm 0.0.697.58



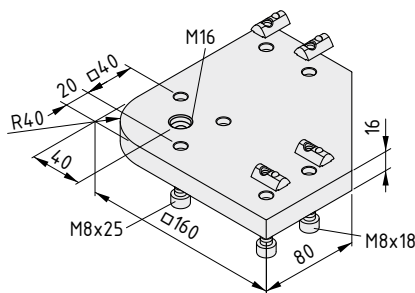
Cover Profile M45 - XMS



Al, anodized
 m = 0.36 kg/m

natural, cut-off max. 3000 mm 0.0.699.96

natural, 1 pce., length 3000 mm 0.0.697.59

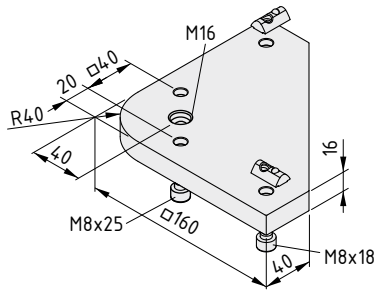


Base Plate X 8 160x160-90° R40 M16



Plate, Al, white aluminium similar to RAL 9006
 4 Hexagon Socket Head Cap Screws DIN 912 M8x18, St, bright zinc-plated
 3 Hexagon Socket Head Cap Screws DIN 912 M8x25, St, bright zinc-plated
 7 washers DIN 433-8.4, St, bright zinc-plated
 4 T-Slot Nuts V 8 St M8, St, bright zinc-plated
 m = 1.0 kg

1 set 0.0.698.63



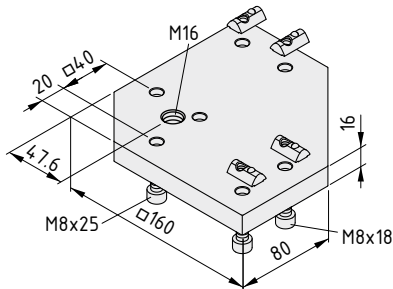
Base Plate X 8 40 160x160-90° R40 M16



Plate, Al, white aluminium similar to RAL 9006
 2 Hexagon Socket Head Cap Screws DIN 912-M8x25, St, bright zinc-plated
 2 Hexagon Socket Head Cap Screws DIN 912-M8x18, St, bright zinc-plated
 4 washers DIN 433-8.4, St, bright zinc-plated
 2 T-Slot Nuts V8 St M8, St, bright zinc-plated
 m = 810.0 g

1 set

0.0.704.23



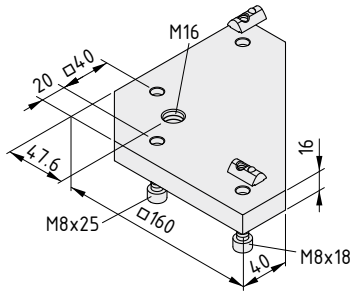
Base Plate X 8 160x160-90° 45° M16



Plate, Al, white aluminium similar to RAL 9006
 4 Hexagon Socket Head Cap Screws DIN 912 M8x18, St, bright zinc-plated
 3 Hexagon Socket Head Cap Screws DIN 912 M8x25, St, bright zinc-plated
 7 washers DIN 433-8.4, St, bright zinc-plated
 4 T-Slot Nuts V 8 St M8, St, bright zinc-plated
 m = 0.9 kg

1 set

0.0.698.64



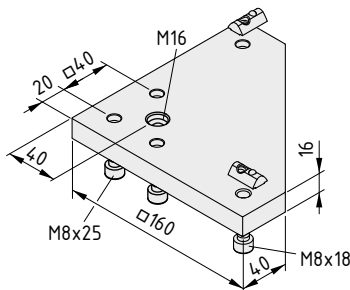
Base Plate X 8 40 160x160-90° 45° M16



Plate, Al, white aluminium similar to RAL 9006
 2 Hexagon Socket Head Cap Screws DIN 912-M8x25, St, bright zinc-plated
 2 Hexagon Socket Head Cap Screws DIN 912-M8x18, St, bright zinc-plated
 4 washers DIN 433-8.4, St, bright zinc-plated
 2 T-Slot Nuts V8 St M8, St, bright zinc-plated
 m = 791.0 g

1 set

0.0.704.22



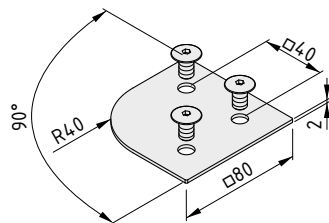
Base Plate X 8 40 160x160-90° M16



Plate, Al, white aluminium similar to RAL 9006
 3 Hexagon Socket Head Cap Screws DIN 912-M8x25, St, bright zinc-plated
 2 Hexagon Socket Head Cap Screws DIN 912-M8x18, St, bright zinc-plated
 5 washers DIN 433-8.4, St, bright zinc-plated
 2 T-Slot Nuts V 8 St M8, St, bright zinc-plated
 m = 1.6 kg

1 set

0.0.703.82



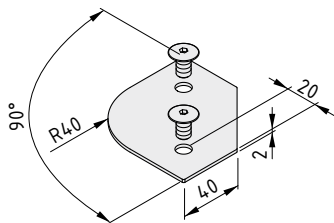
Cap X 8 80x80-R40 Al



Cap, Al, white aluminium similar to RAL 9006
 3 dome-head screws M8x14, St, bright zinc-plated
 m = 52.0 g

1 set

0.0.699.71



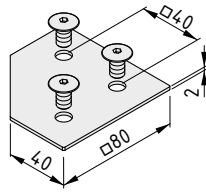
Cap X 8 40 80x80-R40 Al



Cap, Al, white aluminium similar to RAL 9006
 2 dome-head screws M8x14, St, bright zinc-plated
 m = 41.0 g

1 set

0.0.699.70

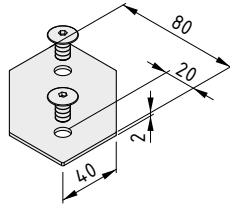


Cap X 8 80x80-45° Al



Cap, Al, white aluminium similar to RAL 9006
 3 dome-head screws M8x14, St, bright zinc-plated
 m = 50.0 g

1 set 0.0.699.72



Cap X 8 40 80x80-45° Al



Cap, Al, white aluminium similar to RAL 9006
 2 dome-head screws M8x14, St, bright zinc-plated
 m = 39.0 g

1 set 0.0.699.69

Open wide

For frameless doors

Fastened directly to the panel element

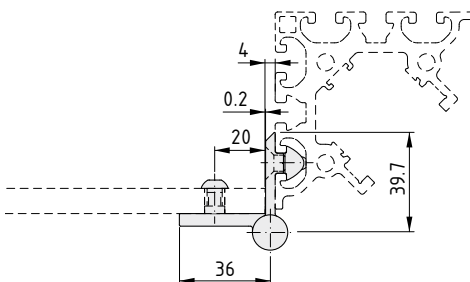
Compatible with Lines X and XMS



Hinge X 8 AI FP4

Versatile, strong and elegant! Hinge X 8 AI FP4 is used to install frameless doors in a profile frame made using Lines X and XMS. The panel element is screwed directly to the hinge so that hatches and simple service openings can be created in next to no time.

The set contains everything needed to fasten a door in place - the fastening elements for the profile and two hinges. Doors can be either left or right opening. The look of the Hinge fits perfectly with the striking design of Lines X and XMS.



Hinge X 8 AI FP4



- 4 Hinge Leaves, Al, anodized, natural
- 2 Button-Head Screws ISO 7380-M6x6, St, bright zinc-plated
- 2 Button-Head Screws ISO 7380-M6x12, St, bright zinc-plated
- 2 Square Flange Nuts M6
- 2 T-Slot Nuts V 8 St M6, bright zinc-plated
- 2 Countersunk Screws DIN 7991 M6x14, St, bright zinc-plated
- 4 Caps, PA-GF, grey
- 2 Hinge Al light, Pin Sets D6
- m = 247.0 g

1 set

0.0.695.09



Work digitally from start to finish – with online tools from item

item Engineeringtool

item Academy

High-precision work

New! Formulae in input fields

New! Automatic angle adjustments

New! Additional keyboard shortcuts

item Engineeringtool

Get to the end result faster! The item Engineeringtool takes care of lots of time-consuming tasks so you don't have to. If you change the length of a load-bearing profile in a basic frame, the online software will automatically adjust the angle and length of diagonal struts and roller conveyors to match. This ensures you can optimise the basic construction with ease, before starting the detailed design process.

Do you need a profile to be 47.3 mm above another or the length of an overhang to be 25 percent bigger? No problem! The input fields now also support mathematical calculations such as "+417" and "*1.25". All basic arithmetic operations are supported, including brackets.

The practical keyboard shortcuts offer a faster way to execute many functions, which is why they have been extended. They now include the new "Save as" function, which can be used to create a copy of a project with a new name and project number. This means variants can be created and managed more easily.

When it comes to project documentation, you can now select exactly which information is included in a PDF or printout. That saves paper and results in a clearer overview. The item Engineeringtool creates detailed documentation for your project that includes everything from a parts list to a construction guide. Changing the level of detail in this documentation couldn't be easier.

Components from the Work Bench System are now available in the item Engineeringtool. For example, you can fit Holders and Label Backplates to your construction. All these components can be found on the "Work bench equipment" tab.

The rules-based functions of the item Engineeringtool prevent errors and simplify the 3D design process. Thanks to a consistent digital process chain from design through to assembly, your solution is documented in full and can be ordered directly through the item Online Shop. Project data, parts lists and assembly guides are available worldwide.



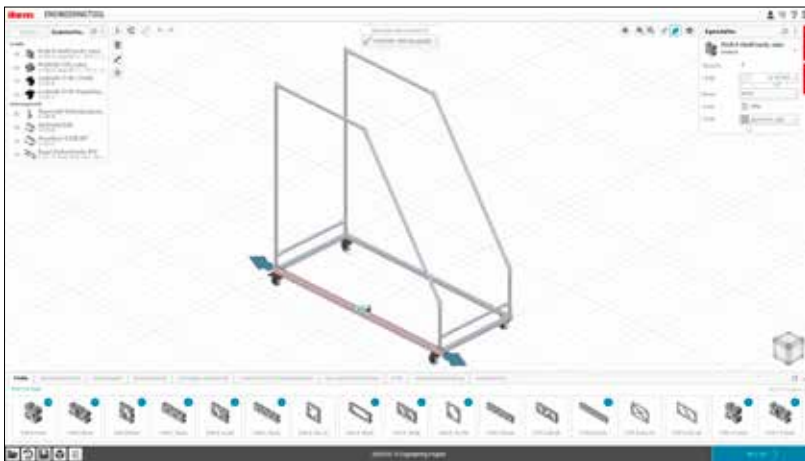
Good to go! You don't have to install any software to use the item Engineeringtool:

item.engineering/tools/engineeringtool



Formulae in input fields

You can count on us! You can now use the input fields both to enter the length and position of profiles directly or have these dimensions calculated using all basic arithmetic operations – including brackets. This means you don't need an additional calculator or any notes. This formula processing function enables you to calculate the centre point between two profiles so that you can attach accessories there.



Automatically adjust angles

During the concept phase, the lengths of the load-bearing profiles in a basic frame need to be adjusted on a regular basis. These frequent modifications also affect the length and angle of diagonal struts and roller conveyors that are connected to the load-bearing frame. The item Engineeringtool now adapts these diagonal profiles automatically so that one change doesn't necessitate additional manual adjustments. This saves a lot of time and stops errors from slipping through unseen.



Work faster with keys

Anyone who works with the item Engineeringtool on a regular basis will know how helpful practical keyboard shortcuts can be. They cover functions that are needed on a regular basis, such as selecting views or undoing the last action. The range of keyboard shortcuts has now been extended to include the new "Save as" function, which can be used to create a copy of a project with a new name and project number. This is particularly practical when working with different versions of one design.



Stay up to date with the newsletter

As an online software solution, the item Engineeringtool is always up to date. You don't need to install any updates, but you can check all the latest additions and improvements that have been made in the change log. Alternatively, you can subscribe to the Engineeringtool newsletter, where all key information about new developments and about using the software is summarised in one email. That way, you will never miss a thing. The newsletter is available in German and English. Subscribe to it at: welcome.item24.de/ot-newsletter-anmeldung

Signed, sealed and delivered



Skills-based certificates

Online test to prove your skills

For fitters and engineers

item Academy

Show everyone what you can do! The online courses, product guides and practical tips in the item Academy help you expand your expertise. Now, you can also obtain written evidence of your achievements. A demanding online test compiled by item will check what you know and provide an official certificate as proof of your proficiency.

There are two expertise-centred training programmes with different focal points and requirements:

item certified technician (ICT) is aimed at fitters and other staff who work directly with item products.

item certified engineer (ICE) has been designed for engineers and planners who develop and prepare applications.

Both programmes consist of three expertise levels that build one on top of the other. You will find a broad and varied curriculum for each level in the item Academy. Learning content from the various product and topic areas prepare you perfectly for the subsequent online test. To obtain a certificate, you must answer questions that are compiled dynamically and are based on the training content of the item Academy.

The effort is worthwhile! After passing the exam, you will be sent a printed certificate by post. This means you can show customers and employers tangible evidence of the expertise you have acquired. item covers the costs for producing and posting the certificates.

This certification is available to all users of the item Academy. The only requirement is completing a free registration process and providing a valid postal address. The programmes for the first expertise level are available online in the item Academy and this offering is being continuously expanded.



The item Academy is available round the clock on the internet:
academy.item24.com

Other item product catalogues



Work Bench System

item24.de/en/epaper-wbs



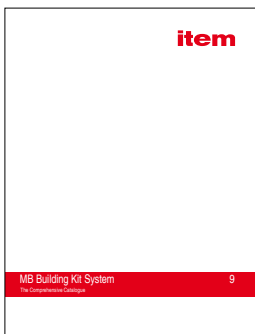
Automation System

item24.de/en/epaper-au



Lean Production Building Kit System

item24.de/en/epaper-lp



MB Building Kit System

item24.de/en/epaper-mb



Stairway/Platform System

item24.de/en/epaper-tp



XMS machine cabins

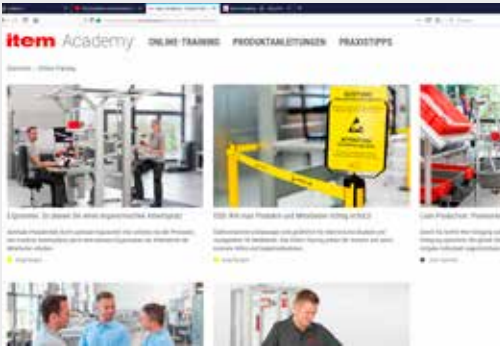
item24.de/en/epaper-xm



All the information you need at your fingertips

item product catalogues are available online as clearly laid out and convenient e-papers. Take your pick and get browsing!

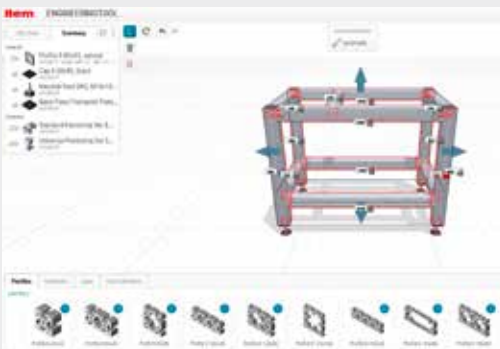
Your head-start for know-how – the item online portfolio



Further training just in time – the item Academy

Learn online – whenever, wherever and whatever you like! The item Academy offers online training, step-by-step guides and practical tips related to all aspects of mechanical engineering and the item product world. There is a huge range of offerings to choose from. The online learning platform presents wide-ranging specialist know-how on key issues such as lean principles and ESD safety and provides tricks and methods that can be put to use straight away. The Academy's content is available in multiple languages and is being constantly expanded.

academy.item24.com



Plan fast and make the right decisions – the item online tools

You can count on us! The item online configurators and online tools such as the Deflection Calculator for profiles will save you a lot of time. State-of-the art planning aids for work benches and SystemMobiles make it much easier for you to configure the perfect bespoke solution. When it comes to automation, you can track down the ideal Linear Unit using item MotionDesigner®. What's more, the Query Assistant is ideal for helping you plan stairways and platforms with ease.

item24.de/en/configurators



Service and information around the clock – item24.com

item is always there for you! The item website presents all product details, including CAD data. You will also discover the very latest news and a whole range of example applications. Complete parts lists and 3D PDFs provide the ideal basis for your own planning and access to a media library provides additional assistance. Find out about service offerings or get in touch with item – all at the click of your mouse.

item24.com

Alphabetical Register

A

Acrylic Glass 4mm GS, clear
Adhesive Multiblocks 8
Assembly Tool D30/D5.2-30

B

Base Plates X 8 80x80
Bearing Block 8 80x80-50

C

Caps 5 20x20 ESD
Caps 5, grey
Caps 8 ESD
Cap, Groove Plate X 8 80x40
Cassette Belt 4m
Cassette Belt 4m EPA
Castor Ball Insert D16-33 ESD

D

Display Hanger H57 31.2x1.5-93 ESD
Display Hanger Profile H57 31.2x1.5 ESD
Drive Set KGT 6 60

E

End Caps D30 H43

F

Fastening Profile D30 0-20° e ESD
Fastening Sets 8 80x80 - XMS

G

Groove Plate X 8 40, light

H

Hinge X 8 AI FP4

I

Inside Wall Profile X 8 40x27
item Academy
item Engineeringtool
item MotionKits Linear Unit KGT 6 60 P20

K

Knuckle Foot D40 ESD, M8x60, stainless

L

Label Hanger Clip D30 T2
Label Profile D30 e ESD
Linear Unit KGT 6 60 P20

P

Plastic 6mm, all-round white
Profiles X 8 80x80 M45 - XMS

R

Roller Conveyor Support 30-50
Rotational Damper Sets 8Nm 4kt10

S

Spacer 3mm for Adhesive Multiblock 8

T

Transverse Fastener D30-60
Transverse Fastener D30-70 rotating

10
6
34

41
32

16
17
16
12
14
14
31

28
28
37

20

26
41

12

47

5
51
49
39

18

28
26
37

10
41

30
32

9

24
22



Always there for you.

Always up to date: Our website at item24.com offers further information on all the products and technologies that item supplies.

Patents

Any copying of protected products is a violation of these rights and, as such, shall be liable to compensation. Data and illustrations in this catalogue do not discharge the user from the obligation to carry out his own checks to determine whether the industrial property rights of third parties are infringed.

Product liability

item shall be liable, within the framework of the applicable legal provisions, for the promised characteristics of the products shown in this catalogue. Any claims for liability above and beyond such – in particular relating to products created by third parties using products included in this catalogue – are expressly excluded.

Conditions of use

The products in the item building kit systems are suitable for use in dry conditions and over the temperature range -20 °C to +70 °C, unless otherwise indicated. item must be consulted where products are to be used for applications outside these limits.

Conformity with Directive 2011/65/EU (“RoHS”)

item has made a voluntary undertaking to refrain from using hazardous substances as defined in Directive 2011/65/EU in the products it sells, irrespective of their subsequent purpose which, in the majority of cases, does not fall under this Directive.

Concept, design and realisation

item Industrietechnik GmbH

Photographs

item Industrietechnik GmbH

Technical modifications and errors reserved.

All rights reserved. Use of texts and illustrations or reprints of any kind only permitted with prior written consent from item. This applies in particular to reproduction, translation or use in electronic systems.

item and the item claim are a registered trademark of item Industrietechnik GmbH.

© item Industrietechnik GmbH 2020

Your distribution and service partner

item

item Industrietechnik GmbH
Friedenstrasse 107-109
42699 Solingen
Germany

Telephone +49 212 6580 0
Fax +49 212 6580 310

info@item24.com
item24.com

Your ideas are worth it.®