

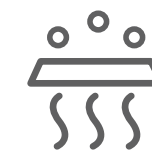
NEW ITEMS 2022

THE HIGHLIGHTS



Access Door

Highly functional room doors
All-round seal



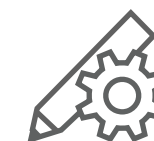
Clean production

Customised cleanroom solutions with
the new Fixing System X 8



Chain drive for Karakuri/LCA

Six new basic components for reliable
force transmission



item Engineeringtool

Integrate panel elements easily into 3D
models



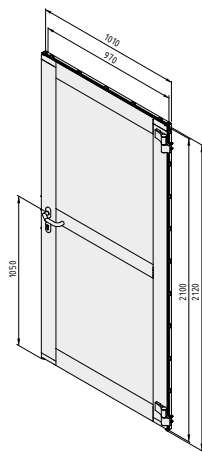
0.0.716.52

Access Door 8

The highly functional solution for access doors! This new door solution features an all-round rebate. The automatic Drop Down Seal combines with Frame Profiles to create an all-round seal.

The Access Door can be used from both sides and can safely separate working areas. The aluminium Door Profile is weight-optimised so that even large doors can be opened and closed with ease.

The components that make up the Access Door are available separately, but the solution can also be ordered as a ready-to-install Access Door in standard dimensions or with a custom configuration. The online configuration assistant will help you put together your solution in next to no time. Height, width, positioning of the cross profile, panel infill and height of the door handle – everything can be adjusted without having to worry about the finer details.



Modular solution for access doors

All-round seal and rebate

Low weight and custom configuration





Discover the components

The combination of several components results in an individual overall solution for your project. The interactive graphic explains details about the components and how they work.





0.0.716.49

Access Door 8 2100x970, left

Access Door 8 2100x970, left is a ready-to-install door that measures 2100 mm high and 970 mm wide. The top panel of the door is made of polycarbonate and the bottom panel is made of opaque plastic. The Hinges on this door are located on the left.



0.0.716.50

Access Door 8 2100x970, right

Access Door 8 2100x970, right has identical external dimensions to the left variant. The door also comes with Frame Profiles, fastening Clips, Hinges, a Drop Down Seal and a Door Handle Set. Only a Cylinder Lock needs to be bought separately. The Hinges on this door are located on the right.





Clean production with item

Production that is easy to keep properly clean! Thanks to new Fixing System X 8 and the new Filter Fan Unit (FFU) combined with HEPA Filter H14, you can now easily build customised, fully enclosed cleanroom environments (mini environments). These additions to the item Building Kit System provide solutions for cleanrooms in a range of dimensions. Combining the FFU with an integrated air return system ensures cleanroom cabinets can achieve cleanroom class ISO 2 to ISO 14644-1.

Thanks to their smooth, unbroken surfaces, minimal edge radii and integrated cable conduits, item Line X and Line XMS aluminium profiles are ideal for creating solutions that are as clean as they are modular.

The new products for clean production give you maximum flexibility with just a small number of additional components. That means you can build custom cleanroom solutions in the perfect size for applications in the optics, electronics, automotive, semi-conductor, medical and plastic injection moulding sectors.

Details can be found on the following pages and in the item Online Shop.



Tip: Make the most of the free courses on cleanroom technology and the fundamentals of ISO 14644 that are available in the item Academy.





0.0.716.23

item Fixing System X 8

The panel fastening system for special purposes! Fixing System X 8 is the basis for forming walls and ceilings in clean production. Thanks to its flush, easy-clean transitions and modular structure, the Fixing System can be used anywhere where a clean break is needed from the surrounding environment.

Different wall constructions can be created – single skin, double skin, or a sandwich design using new Compound Material HPL 36mm as a full-size infill. The chosen panels are fully enclosed between Profiles X or XMS without having to be machined in any way.

However, the Fixing System can do even more. It can be used with Perforated Sheet St 3mm to create ventilation grilles or working surfaces in cleanroom environments. Thanks to its high holding force, the Fixing System can be used in the ceiling area to hold a Filter Fan Unit or solid panels in place.

Panel fixing system for walls and ceilings

Single and double-skin panel fixings

Flush, easy-to-clean surfaces



0.0.716.42

Filter Fan Unit 1200x600

Ideal for keeping working and process environments clean! Ready-to-install Filter Fan Unit 1200x600 (FFU) removes 99.995 percent of all particles from the air. The filtering action of Pre-Filter M5 and HEPA Filter H14 is certified to EN 1822.

The integrated centrifugal fan produces a laminar displacement flow with a nominal air flow of 997 m³/h. The FFU StarterKit or FlowBox InstallationKit makes it easy to control the FFU output.

This plug-and-play solution can very easily be integrated into a ceiling structure or frame with the help of the new Fixing System X 8. The gasket on the HEPA Filter creates a dust-tight and airtight seal with the ceiling.

HEPA H14 filter for clean environments

Plug-and-play commissioning

Seamless integration into ceiling structures





FFU StarterKit and FlowBox InstallationKit

Everything you need to get linked up fast! FFU StarterKit 230V includes all the necessary cables and operating elements needed to commission Filter Fan Unit 1200x600 and control it with a potentiometer.

If you would like to turn lights and table columns off and on at the same time as the FFU, use FlowBox InstallationKit 230V, which also comes with a Multi-Socket Power Strip that can be switched on and off.

The ON/OFF button and the potentiometer for regulating the air flow can easily be integrated into a panel element or profile. No detailed electrical engineering expertise is required to install and wire up the system.

For connecting up and operating a Filter Fan Unit

Stepless control with potentiometer

Easy-to-install operating unit



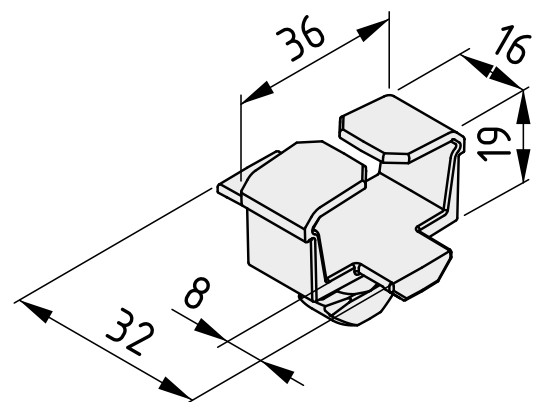


0.0.710.64

Universal Holder 8 K

Cable conduits don't get easier than this! Universal Holder 8 K helps you guide cables and hoses securely and cleanly along a groove. Retainers, the Cover Profile and Cover Profile Caps are all fitted in place without the need for screws. All these parts combined are just 40 mm wide and 20 mm high. This makes them ideal for routing cables along the item Conveyor Belt System or a profile frame of any type.

Universal Holder 8 K, Retainers (0.0.710.64) are twisted into the groove at regular spacings. Once the cables have been laid, simply clip into place Universal Holder 8 K, Cover Profile 40x20 (0.0.710.56) – gentle pressure is all it takes. The shatterproof plastic can be easily sawed to length. Universal Holder 8 K, Cover Profile Cap 40x20 (0.0.711.53) cleanly closes off the end-faces of a cable conduit.



Compact cable conduit with custom outlets

Rapid installation – no screws required

Secure cable guidance along the groove

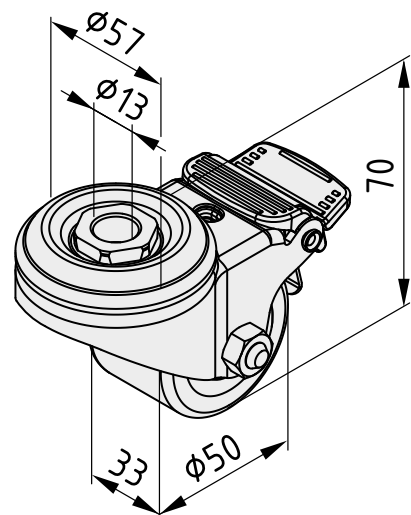




0.0.714.31

Castor D50 swivel, heavy-duty

Strong and low! Castor D50 swivel combines a load-carrying capacity of up to 150 kg per Castor with a small wheel diameter. This makes it ideal for tables and frames that need to be both mobile and strong. The compact wheel diameter ensures a low centre of gravity. Castor D50 swivel is available with and without a double-brake.



High load-carrying capacity with a small wheel diameter

Load carrying capacity of 150 kg per castor

Available with and without brake



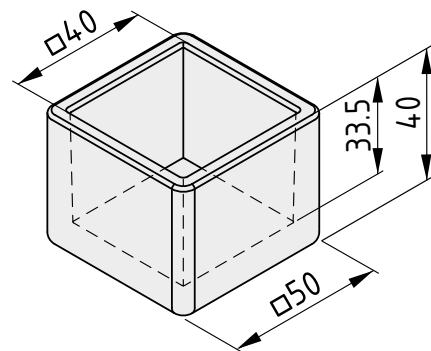


0.0.714.83

Profile End Caps 8 40x40

All-round safety! Rubberised Profile End Cap 8 40x40 envelops the end face and sides of a Profile 8 40x40.

This all-round Profile End Cap can be used as an elastic covering, as a way to protect floor surfaces from scratching or as a simple impact buffer. It is pressed onto the profile end and can be easily removed again as and when necessary. The Profile End Cap is also available in an ESD-safe version.



Rubberised cover for Profiles 8 40x40

All-round scratch protection or mechanical stop

Also available in an ESD-safe version



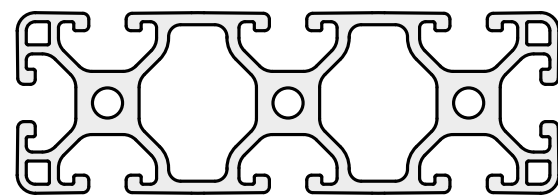
0.0.713.24

Profile 6 90x30 and 90x60 light

Lightweight and strong! Profiles 6 90x30 light and 90x60 light combine a low dead weight with high bending strength. This makes them ideal for points in weight-optimised constructions that come under particular strain.

Compatible Caps are available in black, which seal the end faces of the profiles so they do not need to be deburred.

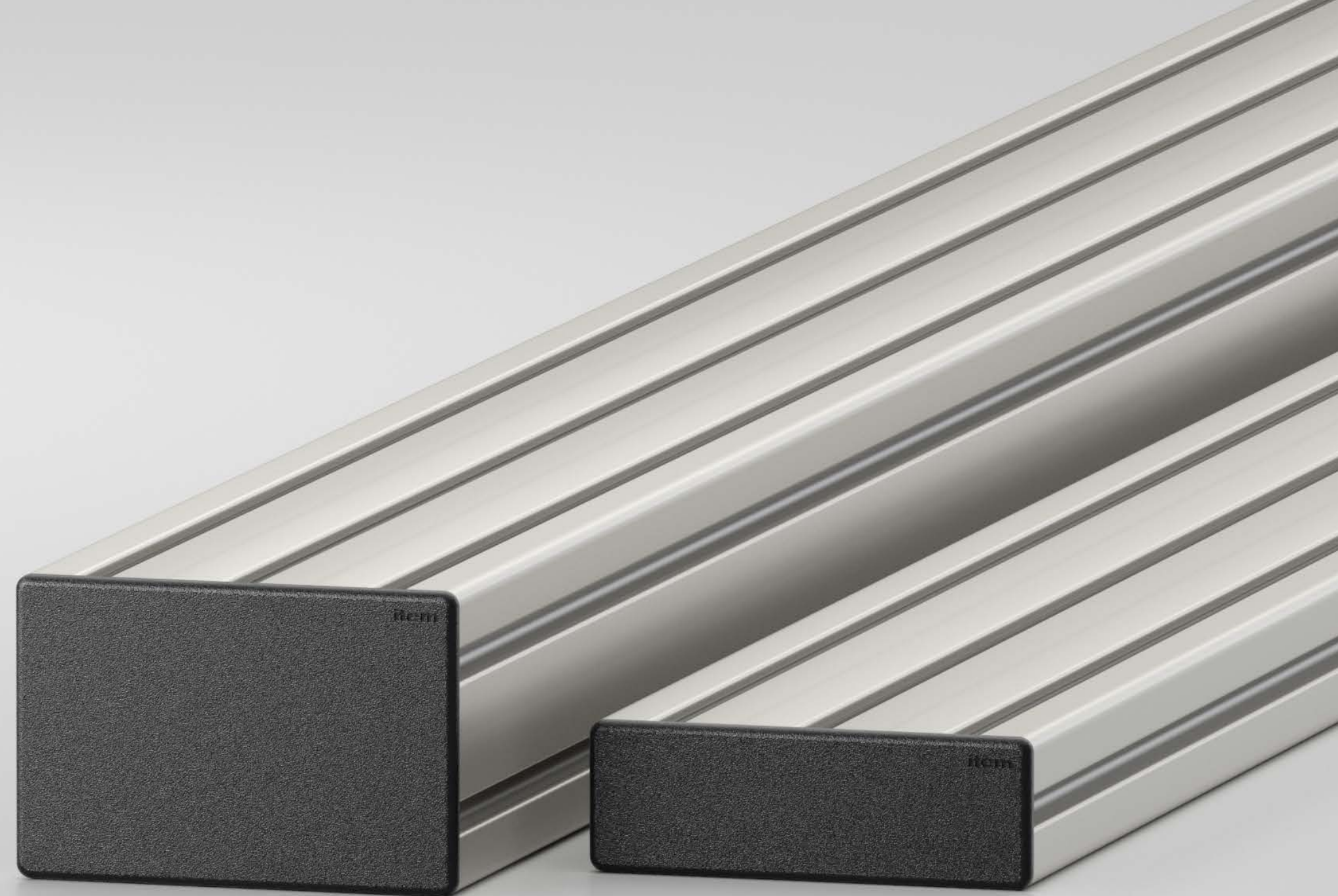
Featuring a modular dimension of 30 mm, Line 6 is an alternative to Line 8 when material usage needs to be reduced.



Weight-optimised Line 6 profiles

Large cross-sections for high loads

Compatible Caps

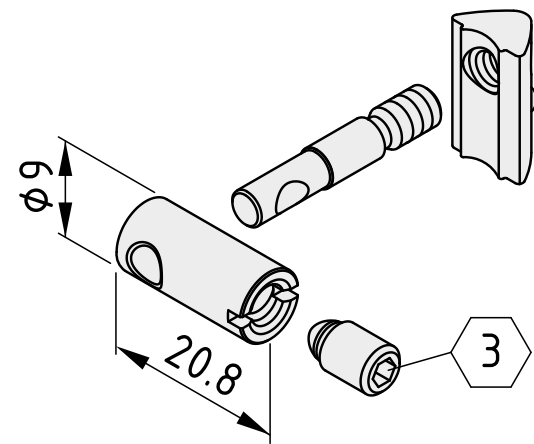




0.0.713.37

Central-Fastening Set P 6

Perfect for partitions! Central-Fastening Set P 6 is used to connect parallel Line 6 profiles. As a result, separate inherently stable guard and partition elements can be very quickly connected together in series. A height offset between the elements can be evened out subsequently by moving the T-Slot Nut and clamping pin along the profile groove.



A simple way to connect parallel profiles

Perfect for setting up partitions

A height offset can be easily evened out





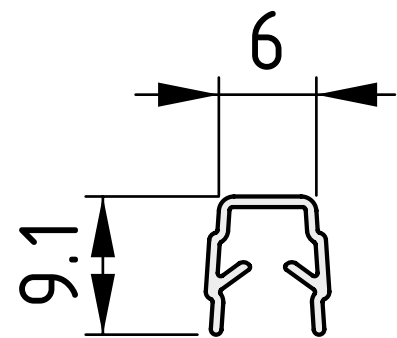
0.0.713.30

Cover Profile 6

Twice as useful! Cover Profile 6 is now also available in grey to match the aluminium profiles of Line 6.

Made from flexible plastic, the profile is ideal for two different applications. When fitted with its closed side up, it acts as a groove covering. When fitted with the open side up, it holds panel elements directly in a Line 6 profile groove.

Cover Profile 6 is also available in transparent plastic and in a black ESD-safe version.



One profile and two applications

Keeps dirt and dust out of the groove

Holds panel elements in the groove

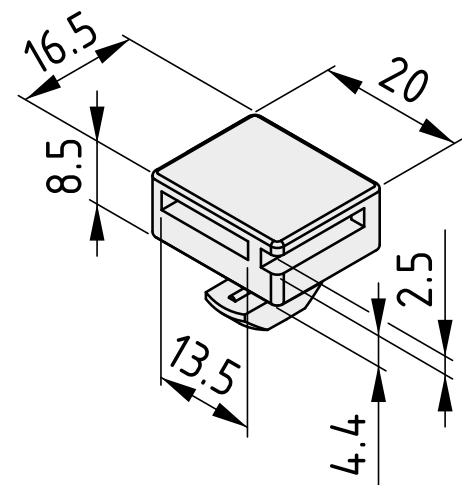


0.0.713.26

Universal Holder 6

Small and practical! Universal Holder 6 is the simplest way to fasten a cable to a Line 6 profile groove.

The Holder is simply twisted into the groove. Cable ties can be used to fix cables, lines and hoses along or across the groove.



Simple fastening for cables

Cable guidance along or across a Line 6 groove

Anchor point for cable ties



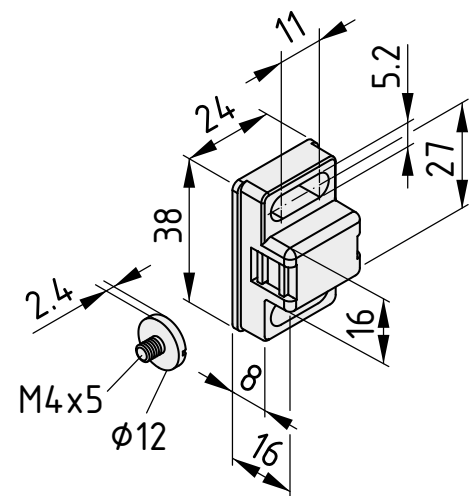


0.0.713.65

Magnetic Catch 6

Tailor-made for Line 6! Magnetic Catch 6 holds swing doors firmly closed. It features two contact sides, each with a different holding force, so that doors can be configured either to open with a gentle tug or be held shut with a stronger magnetic force.

The Magnetic Catch is fastened to the groove of the frame and has slots so that it can be adjusted to the thickness of the panel element.



A firm hold for swing doors

Two contact sides with different holding forces

Adapts to various panel thicknesses





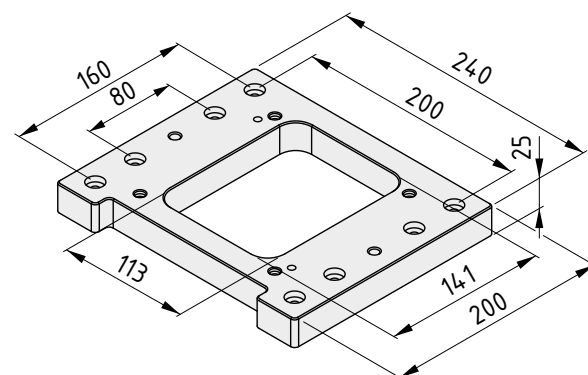
0.0.715.06

Robot Mounting Plate 8

Everything ready! Robot Mounting Plate 8 240x200 from item makes it easier to fasten cobots from ABB in place. The plate is made from high-strength aluminium and is pre-drilled with hole patterns to match the following series of cobots – the IRB 14050 (YuMi), CRB 15000 (GoFa) and IRB/CRB 1100 (SWIFTI).

The Mounting Plate can be fastened to profiles and frames with a Line 8 groove. Cables can be connected to the cobot at the side or via the bottom connector.

Mounting Plates for other models of cobot and universal versions that can be machined to requirements can be found in the item Online Shop.



Pattern of holes to suit ABB cobots

Cable connections can be made via the bottom connector

Made of high-strength aluminium



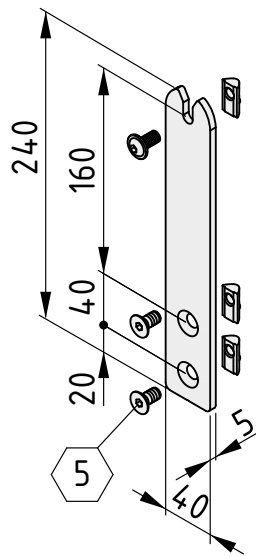


0.0.716.39

Pivot Bracket Set 8 40K

The perfect angle in next to no time! Pivot Bracket Set 8 40 is used to fasten a conveyor belt or roller conveyor to a frame at any angle.

The angle of incline is set by moving the pivot bracket up or down in a vertical groove on the supporting frame. The conveyor is mounted in the notch on the end of the pivot bracket, where it can rotate freely, meaning the angle of incline can also be subsequently adjusted. The pivot bracket itself is flat, takes up little space and leaves the side groove free for other add-ons.



Practical angled fastening solution

Simple method for adapting incline

For conveyor belts and roller conveyors



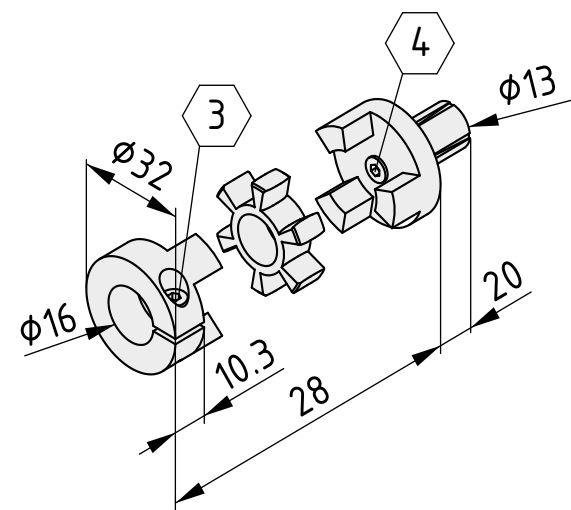


0.0.702.81

Expanding Hub Coupling D16/d13

Open to all! Expanding Hub Coupling D16/d13 is a universal interface for the item Conveyor Belt System that sits between a motor and a Drive Pulley. It allows users to run Flat Belt Conveyors and Timing Belt Conveyors from item with any drive that has a shaft diameter of D16.

A suitable fixing needs to be built to hold the motor in place. When using item Motors, there are specially designed Motor Fastening Sets and Couplings that can be used as a time-saving plug-and-play solution.



Connects together a motor shaft and Drive Pulley

For connecting virtually any motor

For the item Conveyor Belt System



Chain drive for Karakuri/LCA

Strong and dependable! A steel chain can be used in Karakuri/LCA applications to transmit forces to moving parts without the risk of any slippage or elongation, making it an interesting alternative to a cable.

The item chain drive for the Lean Production Building Kit System is made up of carefully coordinated components for connecting the chain to profiles, redirecting the chain and transmitting forces via a Sprocket Wheel. For example, the pulling of a lever can be converted into a rotational movement. Fastening two Sprocket Wheels to one profile provides a means of synchronising two processes.

The interplay between the components is demonstrated on the following page and in a video.

Non-slip power transmission

Reliable synchronisation

Considerable load carrying with low friction





Discover the components

The combination of several components results in an individual overall solution for your project. The interactive graphic explains details about the components and how they work.

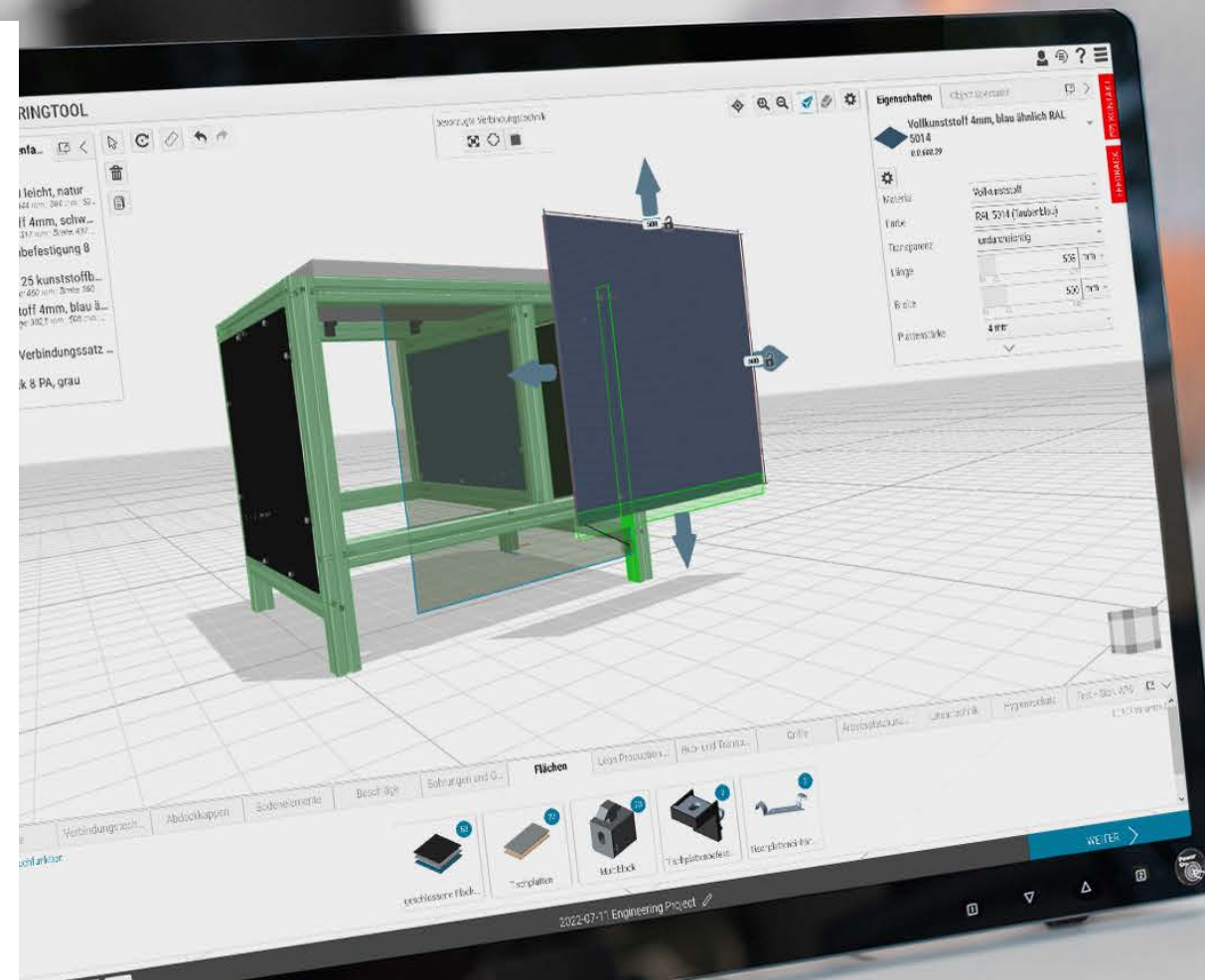




item Engineeringtool

More convenient and more functions! The item Engineeringtool is an innovative 3D engineering program. It is part of an entirely digital process chain that considerably simplifies and speeds up the planning, coordination and construction of solutions. This free, web-based software does not need to be installed either, which means you always have access to all its new functions.

The latest enhancements are centred around the elements that are in the highest demand from users. For instance, panels can now be integrated into constructions with absolute precision, and the corresponding panel fixings are available, too. Users often tell us they would like to be able to edit item example applications directly in the item Engineeringtool. Be our guest – example solutions that are available as templates are labelled accordingly on the website.



New! Integrating panels into digital designs

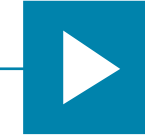
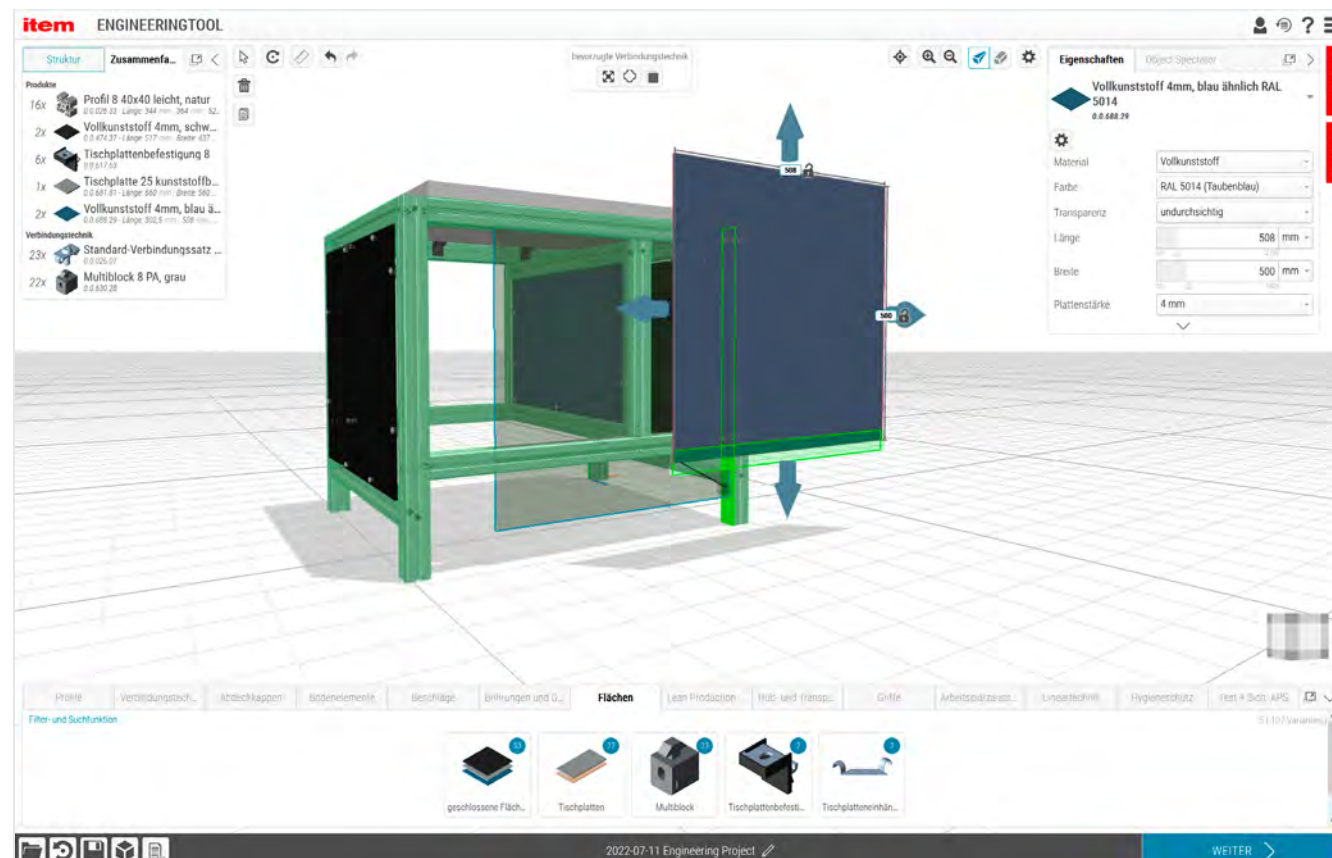
New! Use example applications as templates

New! Select fasteners even more conveniently



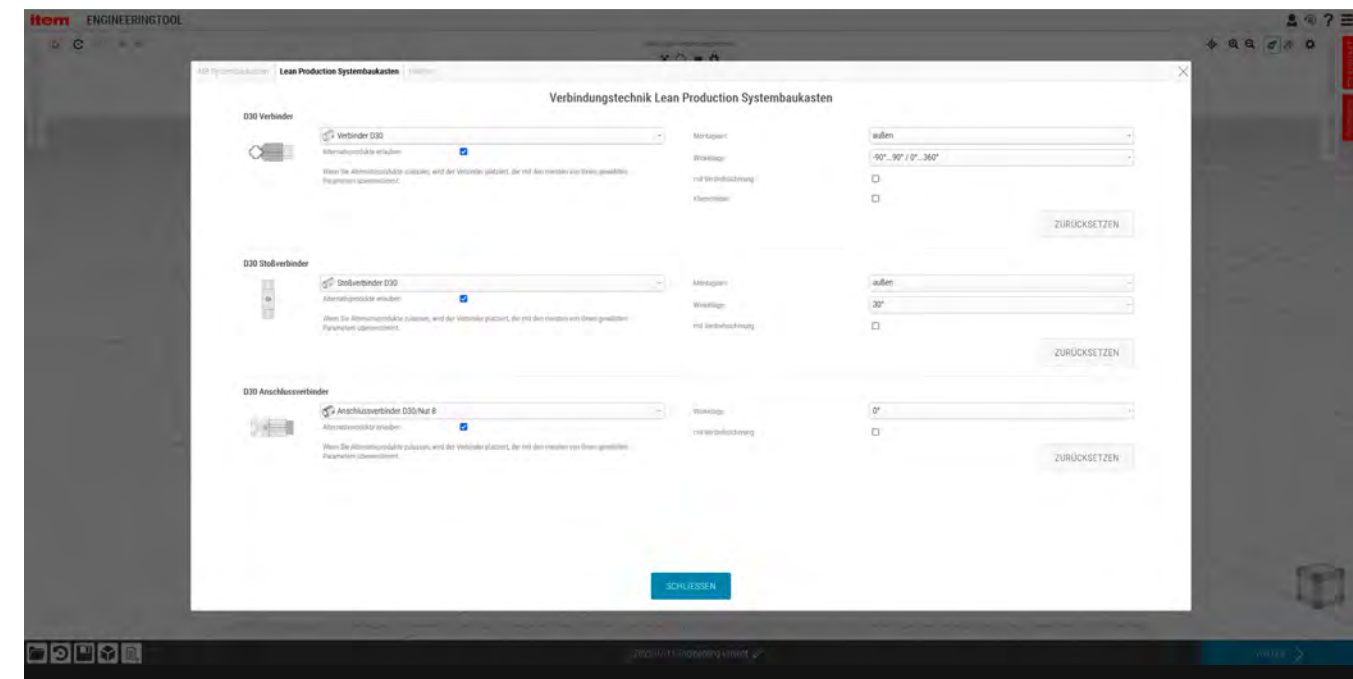
Integrating panel elements

Fill in your gaps! You can now fit out your constructions with panel elements. As usual, the item Engineeringtool takes care of all the time-consuming details. Whether a table top or side panel and whether wood, plastic or acrylic glass – everything is measured precisely and the right number of the right fastening elements is added automatically. What's more, when ordering through the item Online Shop, the panels are supplied with all the relevant holes drilled. It couldn't be easier!



Preferred fastener

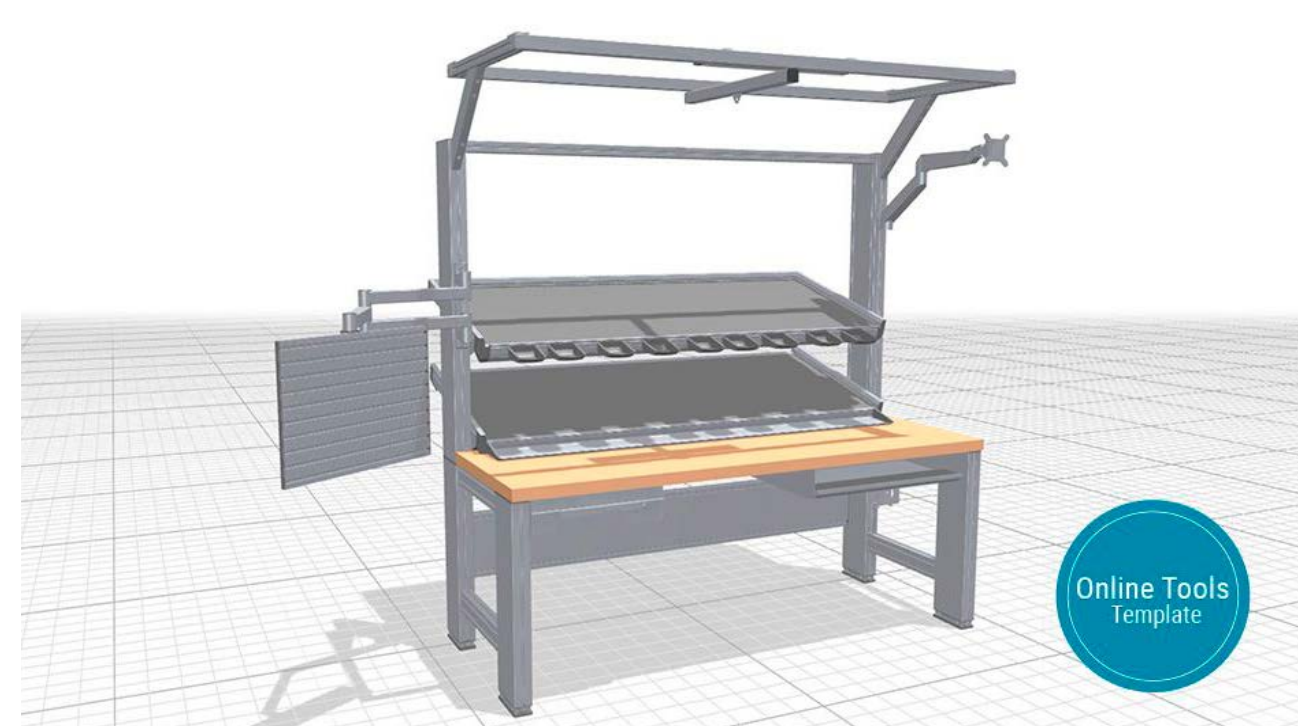
More control over fasteners! It's now even easier to set your preferred fastener in even more detail. Along with various fastener types, the extended menu also lists other product features such as material, allowing you to choose between steel and zinc, for instance. Whenever you join two profiles, the item Engineeringtool will automatically use your preferred fastener. This also works with panel fixings as well as the Lean Production Building Kit System and the fasteners for the profile tube system.









Editing example solutions

Get to the finished project faster! The Application Gallery on the item website contains countless example solutions that you can use for inspiration and as a starting point for your own projects. The item Engineeringtool makes things even easier now. If a solution has a label showing there is an online tools template for it, all you need to do is click the label to open the design in the item Engineeringtool. You can then analyse, adapt and order your solution.



Wählen Sie eine Kategorie

- [Alle \(14\)](#)
- [Maschinenkabinen \(18\)](#)
- [Industrielle Arbeitsplätze \(18\)](#)
- [Automation \(14\)](#)
- [Bühnen & Treppen \(4\)](#)
- [Mobile & Wagen \(8\)](#)
- [Regale \(8\)](#)
- [Schutzkäufe \(4\)](#)
- [Lean Production \(8\)](#)
- [Hygieneschutz \(8\)](#)
- [Robotik \(18\)](#)

 <p>Tisch Economy Lean mit Ausleger EX-01480</p> <p><small>Dieser Tisch Economy Lean F 1800x750 mit Aufsatz und Ausleger aus dem Profirohrsystem D30 nutzt den gesamten Platz über der Arbeitsfläche. Der Ausleger dient zum Beispiel...</small></p> <p>Weitere Infos</p>	 <p>Tisch Economy Lean mit multifunktionellem Aufsatz EX-01460</p> <p><small>Perfekt vorbereitet für die schlanke Fertigung. Der Tisch Economy Lean F 1500x600 mit Aufsatz ist die zuverlässige Basis für Arbeitsstationen, bei denen alles in Griffweite...</small></p> <p>Weitere Infos</p>	 <p>Tisch Economy Lean – das Grundmodell EX-01446</p> <p><small>So stark kann ein leichter Arbeitstisch sein! Der Tisch Economy Lean F 1200x600 verwendete Profile aus dem Profirohrsystem D30 und bieten ausreichend Stabilität für einfache...</small></p> <p>Weitere Infos</p>	 <p>Tisch Economy mit Ausleger EX-01444</p> <p><small>Perfekte Raumnutzung mit minimalem Aufwand: Beim Tisch Economy 80x40 F 1800x750 mit Ausleger und Aufsatz nutzen Sie den Platz über der Arbeitsfläche. Am Ausleger können...</small></p> <p>Weitere Infos</p>
---	---	--	--





item Academy

Unbeatably beneficial, useful and flexible! The item Academy delivers training any time, any place. Benefit from comprehensive online training modules on topics covering all aspects of mechanical engineering, from valuable practical tips to step-by-step guides for working with item products.

All our product guides are designed so you can follow them directly at your work bench. That's why this particular category can also be accessed without having to register, meaning you can call up the approximately 50 currently available guides on your laptop, tablet or smartphone and put them straight to use. [Try it out!](#)

Further enhancements include a new, exceptionally clear homepage and additional online training modules.

As usual, you can also have the expertise you gain through our in-depth courses certified. The content is available in seven languages and is completely free of charge. All you need to access all the digital services offered by item is an item online account!

New! Use product guides without having to register

New! Better overview on the homepage

New! Even more online training modules and webinars



item

item Industrietechnik GmbH
Friedenstrasse 107-109
D-42699 Solingen
Germany
Tel.: +49 212 6580 0
info@item24.com
item24.com

item. Your ideas are worth it.®

About item

item Industrietechnik GmbH is a midsize company dedicated to the development and worldwide sale of high-quality components used to build fixtures, machinery and plants as well as system solutions for lean production operations and work bench design. item building kit systems are based on aluminium construction profiles and fastening techniques that are tailored to a whole range of application scenarios in terms of their function and design. Its wide portfolio of accessories enables users to create an almost unlimited range of applications – from simple frames and machine enclosures right through to complex handling systems and custom machines.

© item Industrietechnik GmbH 2022