



Der Lean Production Systembaukasten

Rollenbahnen St D30

0.0.658.18 0.0.647.10 0.0.648.70 0.0.639.01 0.0.650.83 0.0.642.47 0.0.647.07 0.0.633.91 0.0.647.76 0.0.637.55 0.0.647.06 0.0.687.62 0.0.633.92 0.0.637.56 0.0.647.76 0.0.650.74 0.0.647.76 0.0.648.91 0.0.648.94 0.0.650.55 0.0.666.67 0.0.639.05 0.0.641.78 0.0.685.44 0.0.658.77 0.0.654.75 0.0.654.73 0.0.658.76 0.0.647.08 0.0.658.75

0.0.652.46 0.0.642.46 0.0.673.10 0.0.674.85 0.0.664.48 0.0.674.60 0.0.658.17 0.0.658.16 0.0.687.61

0.0.674.02 0.0.673.10 0.0.674.85 0.0.664.48 0.0.674.60 0.0.674.03 0.0.681.84

0.0.654.94 0.0.681.52 0.0.672.51 0.0.696.84

0.0.670.87 0.0.673.73 0.0.677.02 0.0.673.85 0.0.637.90 0.0.658.77 0.0.658.76 0.0.658.75

Siehe Rollenbahnen St D30

0.0.658.68 0.0.662.75 0.0.620.36 0.0.620.41 0.0.620.42 0.0.620.44 0.0.620.46 0.0.658.70 0.0.662.77 0.0.620.37 0.0.620.51 0.0.620.52 0.0.620.54 0.0.620.56 0.0.658.72 0.0.662.79 0.0.656.78 0.0.656.85 0.0.661.22 0.0.662.82 0.0.662.84 0.0.664.56 0.0.648.97 0.0.677.70 0.0.658.26 0.0.677.94 0.0.658.77 0.0.658.76 0.0.658.75 0.0.622.29 0.0.622.30

0.0.660.59 0.0.660.60 0.0.667.56 0.0.667.57 0.0.670.90 0.0.659.05 0.0.684.33 0.0.660.57 0.0.660.59 0.0.667.56

0.0.660.58 0.0.659.19 0.0.664.48 0.0.674.60

Technical diagrams showing roller profiles and load capacity curves (FNI) for different roller types and configurations.

Rollenbahn St 60x24 D15

0.0.674.02 0.0.673.10 0.0.674.85 0.0.664.48 0.0.674.60 0.0.674.03 0.0.681.84 0.0.654.94 0.0.681.52 0.0.672.51 0.0.696.84 0.0.670.87 0.0.673.73 0.0.677.02 0.0.673.85 0.0.637.90 0.0.658.77 0.0.658.76 0.0.658.75

Siehe Rollenbahnen St D30

0.0.660.59 0.0.660.60 0.0.667.56 0.0.667.57 0.0.670.90 0.0.659.05 0.0.684.33 0.0.660.57 0.0.660.59 0.0.667.56

0.0.660.58 0.0.659.19 0.0.664.48 0.0.674.60

Technical diagrams showing roller profiles and load capacity curves (FNI) for different roller types and configurations.

Rollenbahnen 6 40x40 E D30

0.0.660.59 0.0.660.60 0.0.667.56 0.0.667.57 0.0.670.90 0.0.659.05 0.0.684.33 0.0.660.57 0.0.660.59 0.0.667.56 0.0.658.68 0.0.662.75 0.0.620.36 0.0.620.41 0.0.620.42 0.0.620.44 0.0.620.46 0.0.658.70 0.0.662.77 0.0.620.37 0.0.620.51 0.0.620.52 0.0.620.54 0.0.620.56 0.0.658.72 0.0.662.79 0.0.656.78 0.0.656.85 0.0.661.22 0.0.662.82 0.0.662.84 0.0.664.56 0.0.648.97 0.0.677.70 0.0.658.26 0.0.677.94 0.0.658.77 0.0.658.76 0.0.658.75 0.0.622.29 0.0.622.30

0.0.654.94 0.0.681.52 0.0.657.87 0.0.654.05 0.0.659.05 0.0.684.33 0.0.660.57 0.0.660.59 0.0.667.56

0.0.660.58 0.0.659.19 0.0.664.48 0.0.674.60

Technical diagrams showing roller profiles and load capacity curves (FNI) for different roller types and configurations.



Der Lean Production Systembaukasten

Rollenbahn 6 80x40 E D30

0.0.654.94 0.0.681.52 0.0.657.87 0.0.654.05
0.0.696.84

0.0.667.54 0.0.667.56 0.0.667.57
0.0.667.48 0.0.667.49 0.0.662.97 0.0.664.42 0.0.647.76

0.0.667.56 0.0.667.57

0.0.673.10 0.0.674.85

0.0.667.55

0.0.664.48 0.0.674.60

Siehe Rollenbahnen St D30

0.0.668.99 0.0.669.00

0.0.658.26 0.0.677.94

0.0.658.77
0.0.658.76
0.0.658.75

0.0.622.22 0.0.620.26 0.0.620.84
0.0.654.94 0.0.681.52 0.0.657.87 0.0.654.05
0.0.696.84 0.0.675.98

0.0.622.20 0.0.627.35
0.0.448.03

0.0.652.58 0.0.652.64

0.0.673.10 0.0.674.85

0.0.652.57 0.0.662.31
0.0.664.48 0.0.674.60

0.0.652.48 0.0.652.58 0.0.652.64
0.0.628.40 0.0.628.42 0.0.620.16 0.0.622.27 0.0.627.06 0.0.627.07 0.0.627.08 0.0.619.34

0.0.628.41 0.0.628.43 0.0.620.06 0.0.622.28 0.0.627.09 0.0.627.10 0.0.627.11 0.0.619.34

0.0.618.28 0.0.644.55 0.0.648.98 0.0.677.70

0.0.658.77
0.0.658.76
0.0.658.75

0.0.622.29 0.0.622.30
0.0.620.00

FINI (g/(N·m))
1800
1600
1400
1200
1000
800
600
400
200
0
500 750 1000 1250 1500
α (mm)

Rollenbahn ohne Führungsschiene

FINI (g/(N·m))
1800
1600
1400
1200
1000
800
600
400
200
0
500 750 1000 1250 1500
α (mm)

Rollenbahn mit Führungsschiene

F = 100 N

Rollenbahnen 8 D30

0.0.622.22 0.0.620.26 0.0.620.84
0.0.654.94 0.0.681.52 0.0.657.87 0.0.654.05
0.0.696.84 0.0.675.98

0.0.622.20 0.0.627.35
0.0.448.03

0.0.652.58 0.0.652.64

0.0.673.10 0.0.674.85

0.0.652.57 0.0.662.31
0.0.664.48 0.0.674.60

0.0.652.48 0.0.652.58 0.0.652.64
0.0.628.40 0.0.628.42 0.0.620.16 0.0.622.27 0.0.627.06 0.0.627.07 0.0.627.08 0.0.619.34

0.0.628.41 0.0.628.43 0.0.620.06 0.0.622.28 0.0.627.09 0.0.627.10 0.0.627.11 0.0.619.34

0.0.618.28 0.0.644.55 0.0.648.98 0.0.677.70

0.0.658.77
0.0.658.76
0.0.658.75

0.0.622.29 0.0.622.30
0.0.620.00

Siehe Rollenbahnen St D30

Transportrollen TR30

Rohr D30x1,8 KU (Kunststoff)
0.0.675.01 0.0.674.94

0.0.647.76

Rohr D30
0.0.628.52 0.0.673.67 0.0.675.58 0.0.671.52 0.0.671.99

0.0.674.94 0.0.673.67 0.0.675.58 ESD 0.0.628.52

0.0.674.94 0.0.671.52

0.0.634.42 0.0.681.55 0.0.671.52

0.0.628.97 0.0.634.42 0.0.629.94 0.0.682.21 0.0.671.52

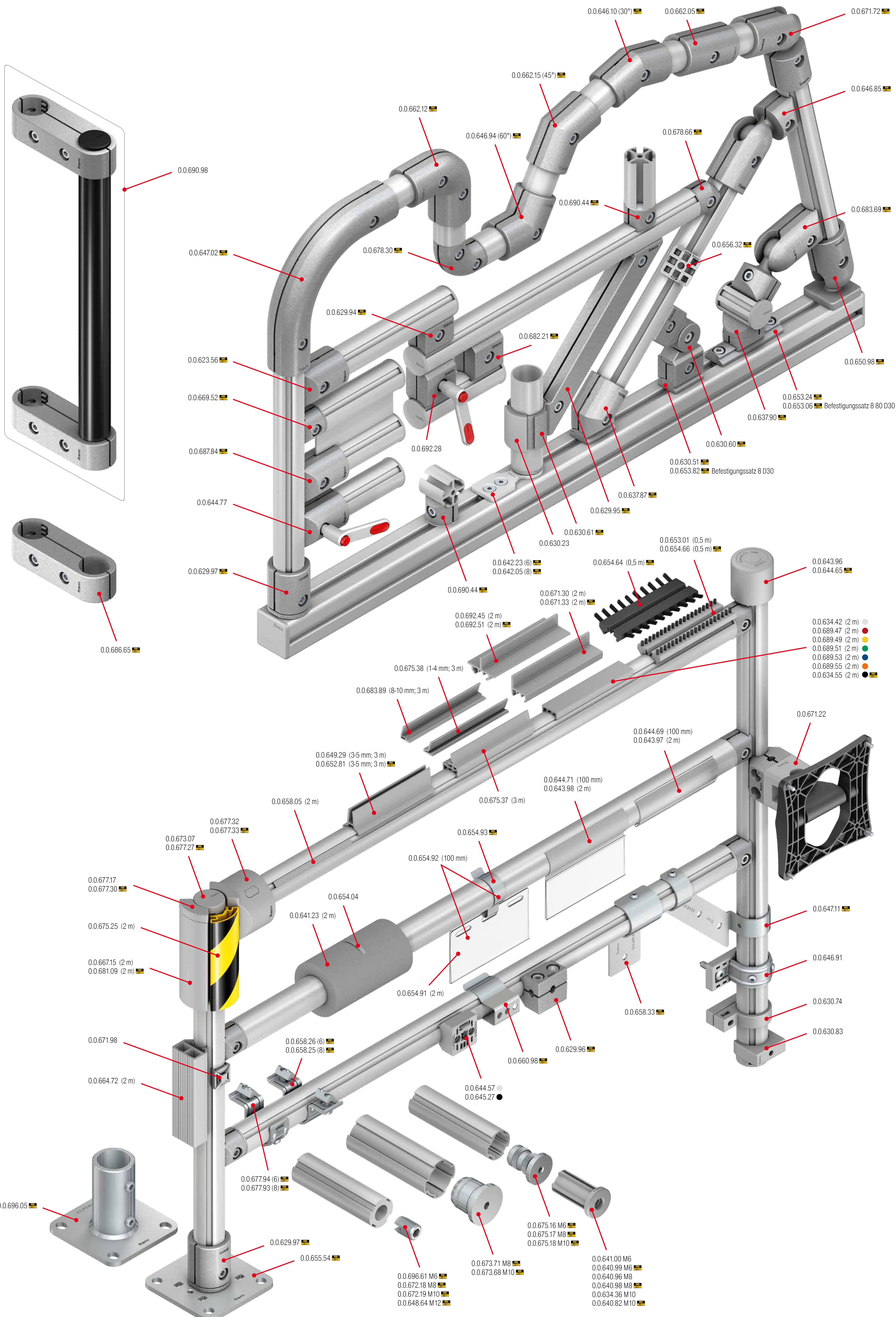
Rohr D30
0.0.628.52 (6 m) X_{AI} = 600 mm
0.0.685.05 (4 m) X_{KU} = 55 mm
0.0.675.19 (3 m) F_{max} = 100 N

Rohr D30x1,8 KU (Kunststoff)
0.0.675.01 (6 m) X_{KU} = 400 mm
0.0.674.94 (3 m) X_{KU} = 55 mm
F_{max} = 50 N

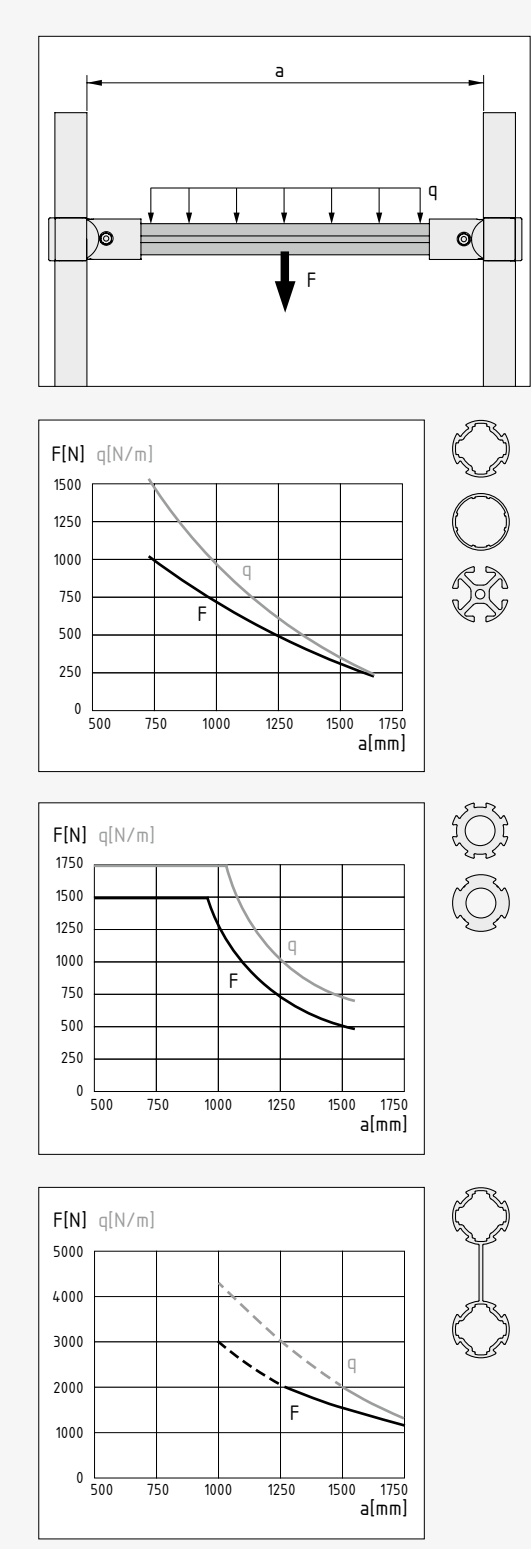


Der Lean Production Systembaukasten

Profile und Zubehör • Verbindungstechnik • Befestigungselemente • Bodenelemente • Lean Arbeitsplatzgestaltung



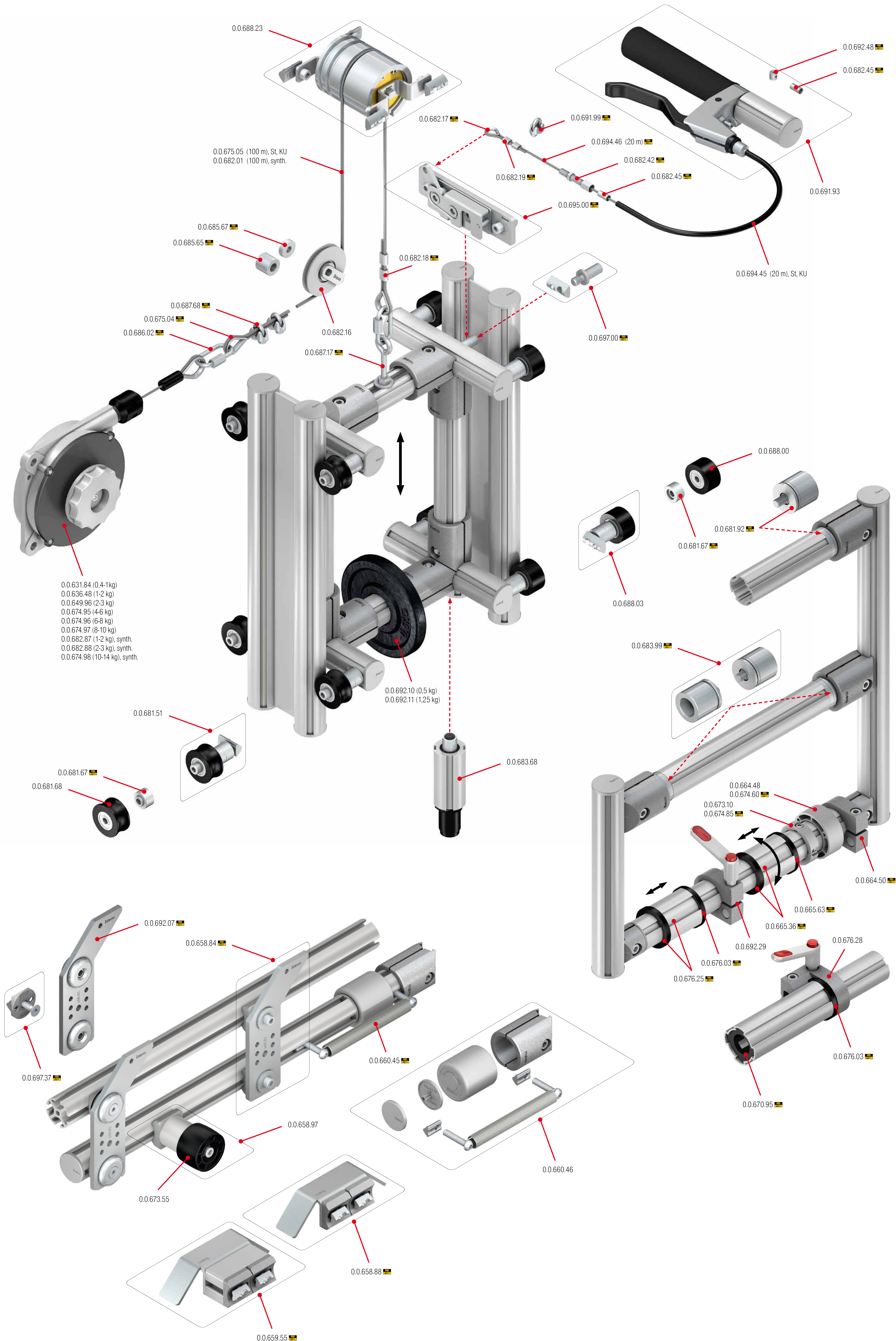
- 0.0.628.17 (6 m)
- 0.0.684.90 (4 m)
- 0.0.660.44 (3 m)
- 0.0.643.14 (6 m)
- 0.0.643.15 (6 m)
- 0.0.643.16 (6 m)
- 0.0.643.17 (6 m)
- 0.0.643.19 (6 m)
- 0.0.643.21 (6 m)
- 0.0.681.55 (6 m)
- 0.0.628.52 (6 m)
- 0.0.685.05 (4 m)
- 0.0.678.19 (3 m)
- 0.0.629.78
- 0.0.637.04
- 0.0.683.04 (6 m)
- 0.0.690.30 (3 m)
- 0.0.642.33 (6 m)
- 0.0.683.18 (3 m)
- 0.0.648.68
- 0.0.649.35
- 0.0.644.74, CFK (6 m)
- 0.0.643.70, KH (6 m)
- 0.0.649.31
- 0.0.616.45 (6 m)
- 0.0.615.08 (6 m)
- 0.0.615.11 (6 m)
- 0.0.614.23 (6 m)
- 0.0.615.16 (6 m)
- 0.0.616.48 (6 m)
- 0.0.634.45
- 0.0.637.03
- 0.0.663.93 (6 m)
- 0.0.678.20 (3 m)
- 0.0.666.95
- 0.0.661.59 (6 m)
- 0.0.670.93
- 0.0.670.94
- 0.0.676.58 (3 m)
- 0.0.681.30





Der Lean Production Systembaukasten

Low Cost Automation – Mechanische Automatisierung



- 0.0.675.05 (100 m)
kunststoffummanteltes
Stahlseil
- 0.0.682.01 (100 m)
Kunstfaserseil
- 0.0.694.46 (20 m), St
Bowdenzugseil
- 0.0.694.45 (20 m), St, KU
Bowdenzughülle