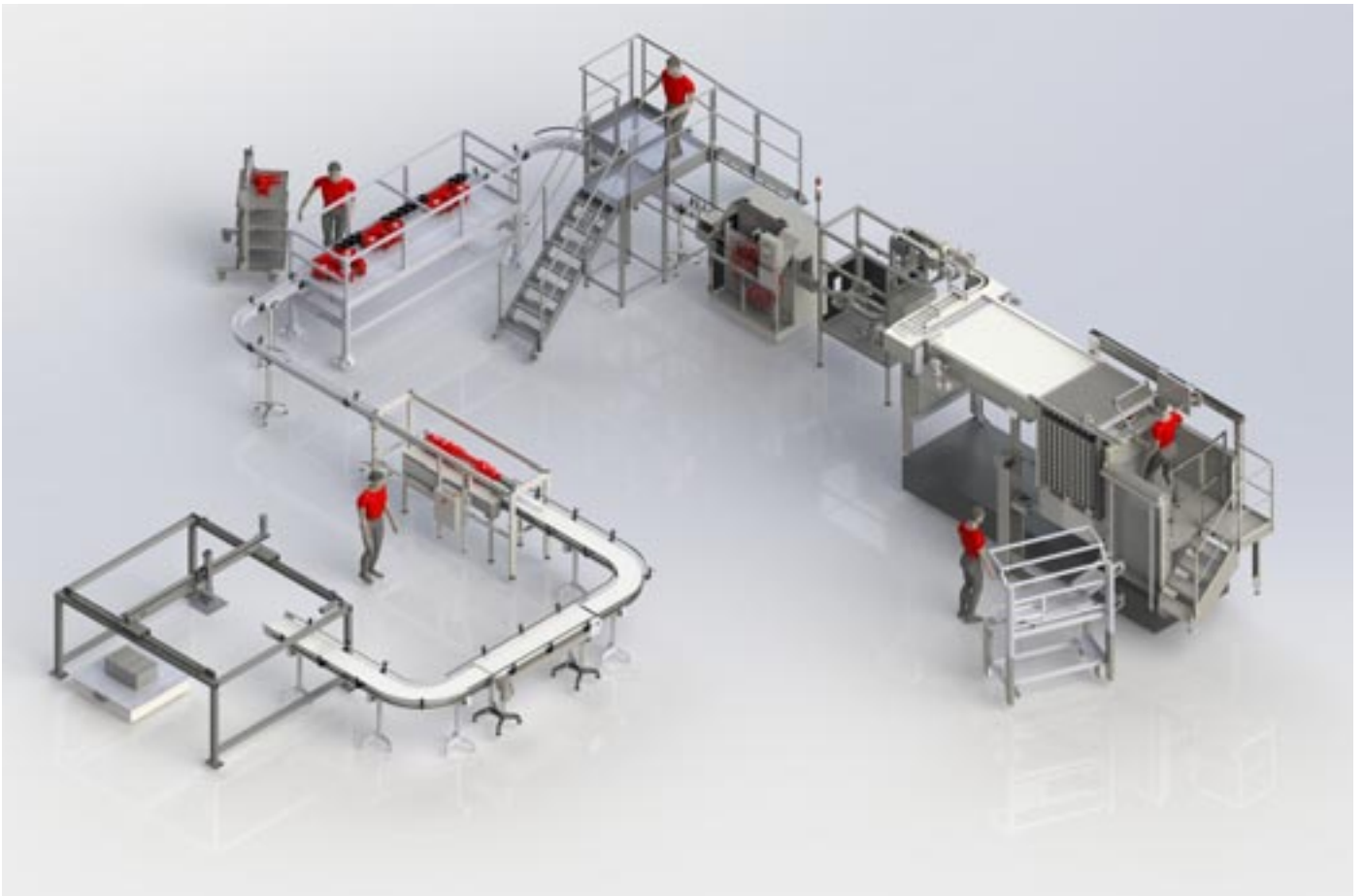


• MODULAR CONVEYORS

Shared design work



Design of lines in 3D.

More than 30 years experience in modular conveyors.
FABER takes over your transport projects as soon as you express the need.

- On the basis of our standard ranges, we propose kinematics adapted to your needs.
- A network of sales engineers in your area ready to discuss with you.
- Technical recommendations.
- 2D/3D libraries available to your design office.
- Large stock
- Reactivity and short delivery lead times
- Constant pursuit of innovations (performance, functions, ergonomics, development of new ranges).
- Delivery as a kit or fully assembled conveyors.



Curve production by digital bending



Integral finishing and assembly shops

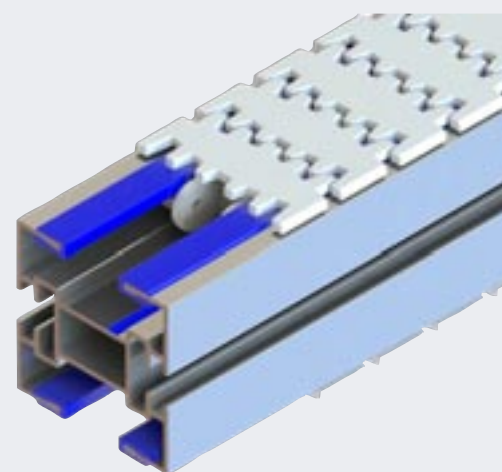


40 tonnes of aluminium profile, thousands of components in stock.

Slat chain conveyors

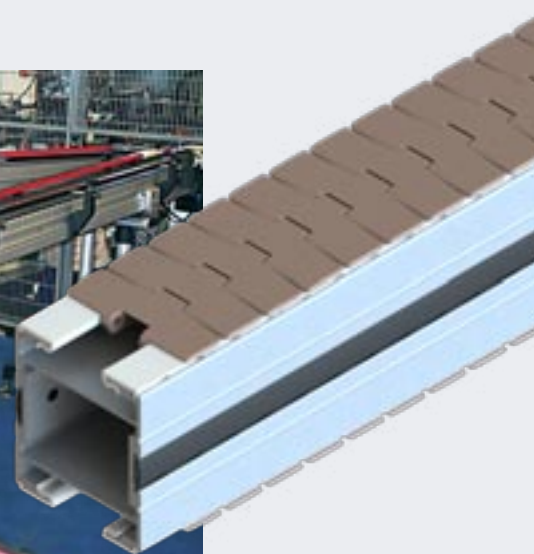
Flex

- Standard
- Economical
- Easily adaptable
- Silent
- To transport unitary products
- Widths 45 to 300 mm (aluminium structure) and 65 to 105 mm (Flexinox® stainless steel structure)



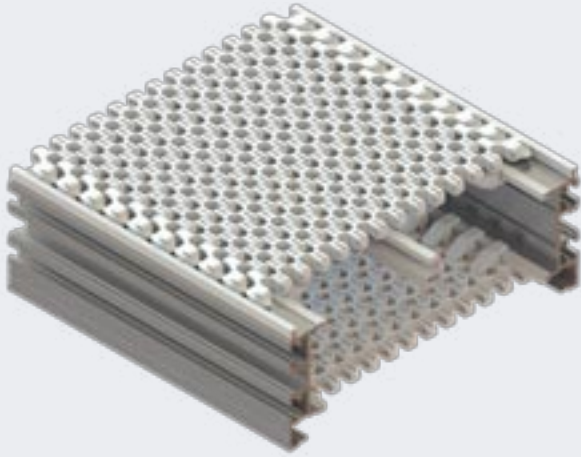
Robur

- Tough
- Open or monobloc structure
- Difficult conditions (dust, chips, etc.)
- Unitary or overpacked products
- Widths 70 to 196 mm



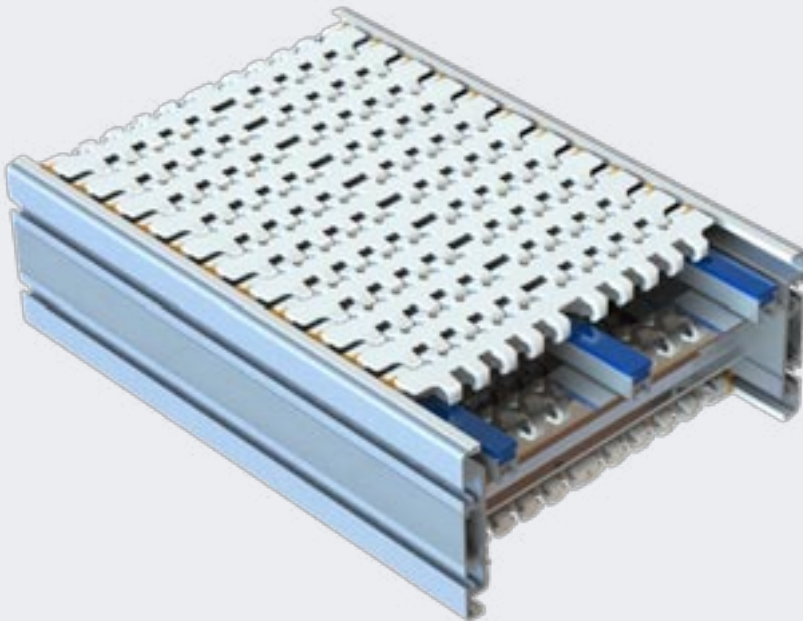
Modular belt conveyors

h'ecoflex



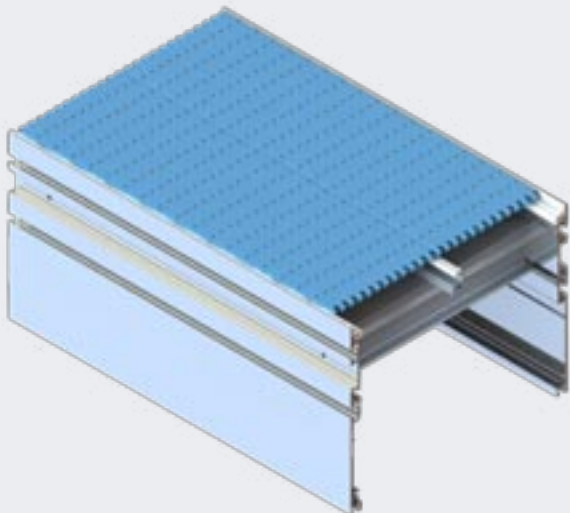
- Economic
- Multi-curve geometries
- Small radius of curve
- Silent
- Easy maintenance
- Compact structure, small winding \emptyset
- Widths: 165 to 1028 mm

Flextoo



- Tough
- Silent
- Easy to maintain
- Personnel safety
- Possibility of complex geometry
- Heavy loads
- Transport of overpacked products, boxes, etc.
- Widths 230 to 650 mm

CAB



- Straight conveyor
- Smooth belt
- Ball or roller belt
- Widths from 165 mm

h'ecoflex

Flextoo

CAB

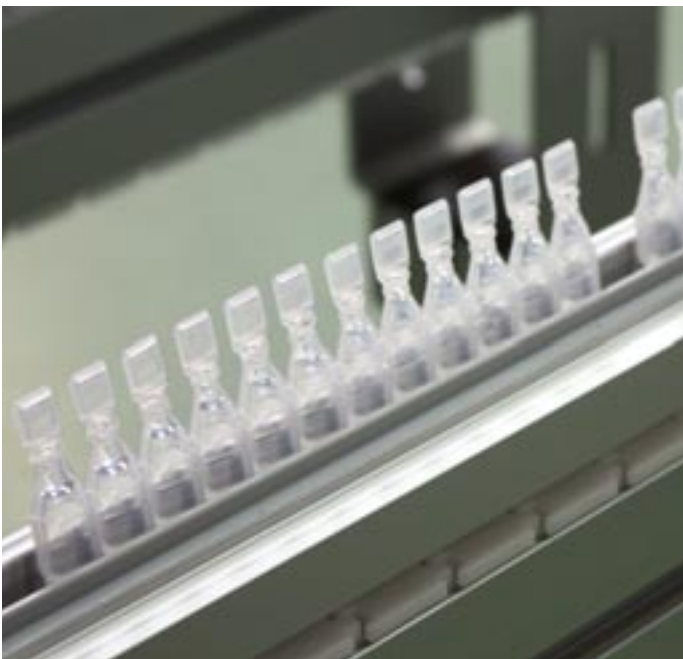
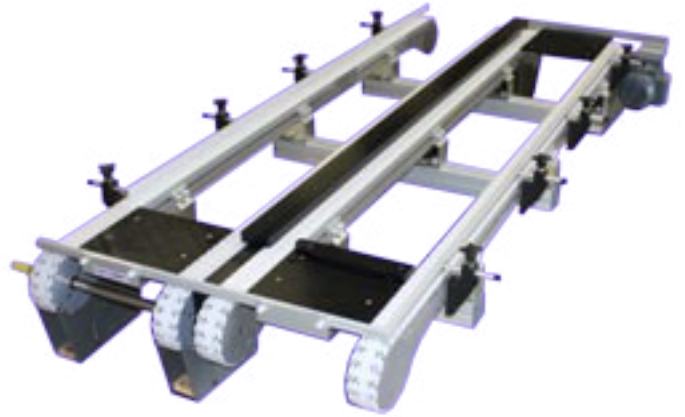
/ SUMMARY

	page
• COMPARATIVE TABLES OF THE DIFFERENT RANGES	7
• FLEX: Curved chain conveyor for light loads	9
• ROBUR® Straight and curved chain conveyors (heavy loads)	51
• h'ecoflex Curved belt conveyor (light loads)	59
• FLEXTOO® Curved belt conveyor (heavy loads)	67
• CAB: Straight belt conveyors & with belt with functions	77
• Fish plates & groove covers	84
• GUIDES FOR CONVEYORS	85
/ SIDE GUIDE PROFILES WITH METAL FRAMES	86
/ SIDE GUIDES AND INTERMEDIATE BALL AND ROLLER GUIDES (ALUMINIUM STRUCTURE)	88
/ SIDE FORMABLE BALL AND ROLLER GUIDES* (STAINLESS STEEL FRAME)	89
/ SIDE GUIDE PROFILES	90
/ GUIDE HOLDER AND BRACKETS	92
/ PRODUCT GUIDE ADJUSTABLE IN HEIGHT AND WIDTH	99
/ ACCESSORIES FOR ROBUR® AND COBRAL® CONVEYORS	100
/ PRODUCT GUIDING BY FORMAT TOOLS	101
/ FASTENERS	102
/ MISCELLANEOUS ACCESSORIES	103
/ FGRB FIXED ALUMINIUM BRACKETS AND FGRD SPACERS	104
/ FGRA ADJUSTABLE ALUMINIUM BRACKETS	105
/ FRONT GUIDES FOR FLEX CONVEYOR	107
• LEGS FOR CONVEYORS	109
/ BRACKETS BETWEEN CONVEYORS & HORIZONTAL CROSS PIECES	110
/ ATTACHMENT OF CONVEYORS TO VERTICAL TUBES	111
/ STRUCTURAL TUBES, END PIECES FOR ALUMINIUM PROFILE,	112
/ ZINC PLATED STEEL BRACKETS FOR STRUCTURAL TUBES	114
/ ALUMINIUM OR LIGHT ALLOY BRACKETS FOR STRUCTURAL TUBES	115
/ SQUARE TUBE LEG BASES	116
/ MOUNTINGS ON BEAMS	117
/ ROUND TUBES	118
/ SQUARE TUBE LEGS FOR FLEX, H'ECOFLEX, FLEXTOO® CONVEYORS	120
/ SQUARE TUBE LEGS FOR CAB CONVEYORS	121
/ Ø60.3 TUBE LEGS FOR ROBUR®, FLEX, H'ECOFLEX & FLEXTOO® CONVEYORS	122
/ Ø60.3 TUBE LEGS CAB CONVEYORS	123
/ Ø60.3 STAINLESS STEEL TUBE LEGS FOR FLEXINOX	124
/ SIDE MOUNTING BRACKETS	125
/ COMPONENTS FOR ADJUSTABLE WEDGE CONVEYORS	126
• EQUIPEMENT	127
/ CABLE RACEWAYS	128
/ STOPS ON REQUEST	130
/ DIVERTER ON REQUEST	131
/ METAL DETECTOR MODULES	132
/ HINGED CHUTES	133
/ DRAIN GUTTERS AND TRAYS	134
FOR THE FLEX FK, FS, FM & FC RANGES	134
/ DIRECT DRIVES	136
/ DRIVES WITH TRANSMISSION	137
/ STARTER BOXES	138
- LEGAL NOTICE	139
• Index of references	141

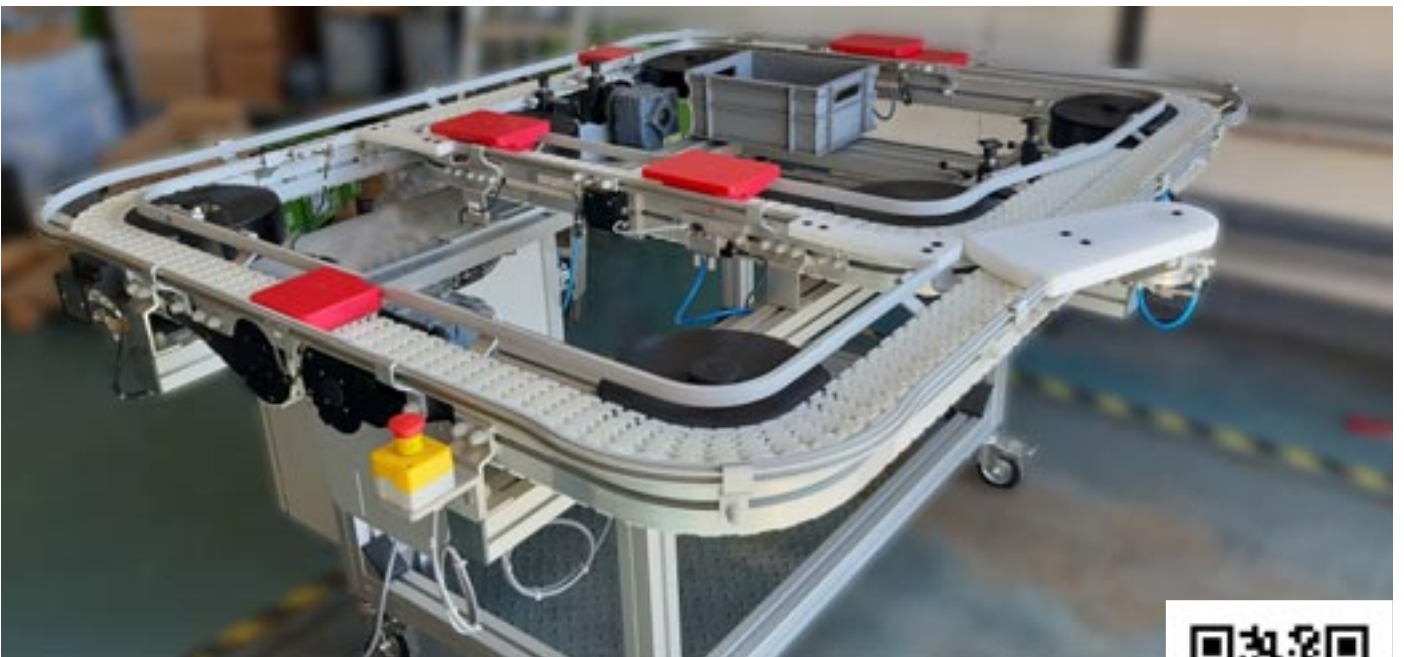
COMPARATIVE TABLES OF THE DIFFERENT RANGES

Chains conveyors	Flex									Robur®					
	F45	FK	FS SS	FM SM	CM	FC SC	FL	FB 175	FB 295	R1	R2TB	R2	R3TB	R3	R4
Conveyor width (mm)	45		65	85		105	155	182	300	70	86		118		196
Chain width (mm)	43	44	63	83		103	150	175	295	63,5	82,5		114,3		190,5
Standard Material	POM chain									POM or metal chain (stainless steel or steel)					
Chain elastic Limit	200 N	500 N except with plastic pins		1250 N except with plastic pins					2250 N						
Maximum weight on conveyor	35 kg	160 kg		400 kg					10 kg	500 kg					
Max speed m/mn	20 m/mn	60 m/mn								40 m/mn					
Kinematic complexity	10 m	25 m								15 m					
Conditions	Clean, dry									Oils - Temperature - Abrasive conditions (sugar, ceramic, dust, chips, etc.)					
Industry	Agri-food (packaged products), Pharmacy, Cosmetics									Automotive, Mechanical, Heavy industries					

Belt conveyors	h'ecoflex®										Flextoo®					CAB	
	HEF 1	HEF 2	HEF 3	HEF 4	HEF 5	HEF 6	HEF 7	HEF 8	HEF 9	HEF 10	F2-750	F2-1200	F2-1500	F2-1800	F2-2400		
Conveyor width (mm)	165	227	309	411	514	617	719	822	924	1028	227	342	418	494	647	≥ 160	
Belt width (mm)	148	210	292	394	497	600	702	805	907	1011	190,5	304,8	381	457,2	609,6	≥ 152,4	
Standard material	POM C Belts, PA shafts										POM belt + Kevlar reinforced wear heels					Belt POM or PP	
Belt elastic Limit	Straight parts : 1200 N/m width Curved parts : 1200 N										2000 N	3400 N	3500 N	3600 N	3800 N	according to width	
Maximum weight on conveyor	600 kg										1400 kg	2000 kg					according to width
Max speed m/mn	40 m/mn										80 m/mn					80 m/mn	
Kinematic complexity	up to 15 m depending on load and conveyor geometry										30 m					35 m	
Conditions	Clean, dry										Cardboard dust					Clean, dry	
Industry	Agri-food (packaged products and overpacked products), Pharmacy, Cosmetics										Agri-food (packaged and overpacked products), Pharmacy, Cosmetics						

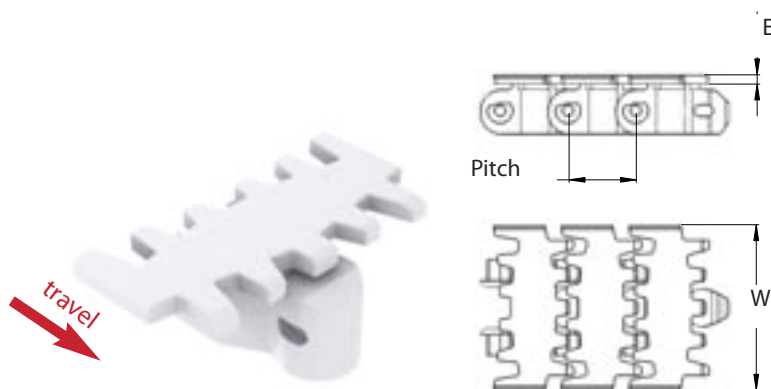


- **FLEX:**
Curved chain conveyor for light loads



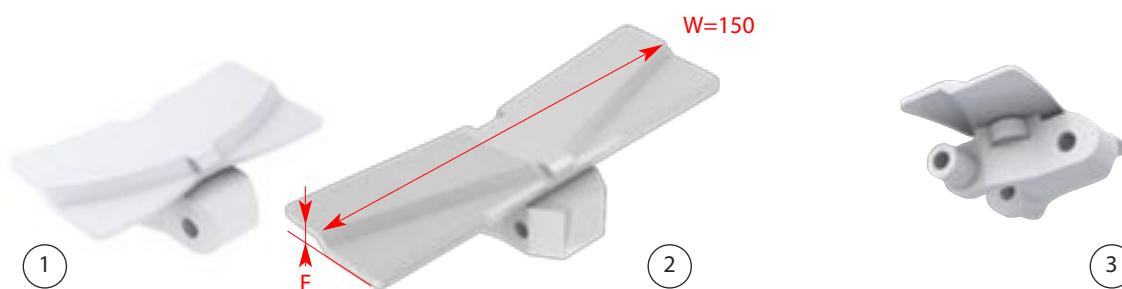
/ FLAT CHANNELS, SAFETY CHAINS

For horizontal and sloping (< 5°) transfers and accumulation conveying



Flat chains		FK	FS - SS	FM - SM	FC - SC
	Pitch	25,4	25,4	33,5	35,5
	E	3,1	3,5	4	4,4
	W	44	63	83	103
Material	Colour				
Natural acetal	White	FKPC 5	FSPC 5	FMPC 5	FCPC 5
idem, with plastic pin (*)		FKPC 5P	FSPC 5P	FMPC 5P	FCPC 5P
Antistatic black acetal	Black	FKPC 5CD	FSPC 5CD	FMPC 5CD	FCPC 5CD
Kevlar reinforced acetal	Yellow	FKPC 5WR	FSPC 5WR	FMPC 5WR	FCPC 5WR
High temperature (100°C)			FSPC 5HT	FMPC 5HT	FCPC 5HT
PBT			FSPC 5PBT		
Fibre glass reinforced acetal	White		FSPC 5GF	FMPC 5GF	FCPC 5GF
acetal, lubricated			FSPC 5LF	FMPC 5LF	FCPC 5LF
Anti-UV acetal		FKPC 5UV	FSPC 5UV	FMPC 5UV	FCPC 5UV
PVDF		FKPC 5PV	FSPC 5PV		
Natural acetal for twisted module				FSPC 5M	FMPC 5M

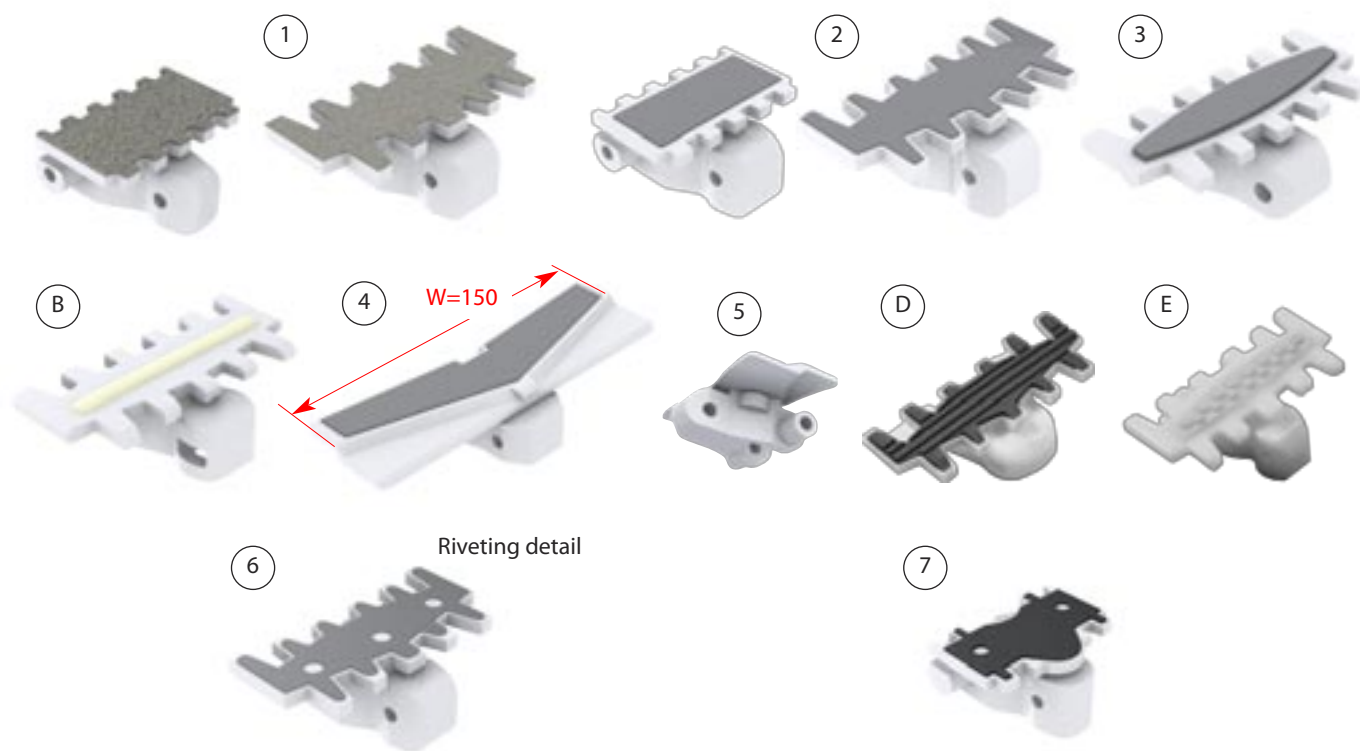
(*) Chains with plastic pins: reduced elastic limit



Safety chains		FM - SM	FL
Natural acetal chains	Pitch	33,5	35,5
	Thickness	E	7,3
	Width	W	150
Standard version	Fig. 1	FMPC 5V	
High temperature (100°C)		EMPC 5HT	
Antistatic black acetal	Fig. 2		FLPC 5V
Version with lateral roller	Fig. 3	EMPC 5R	

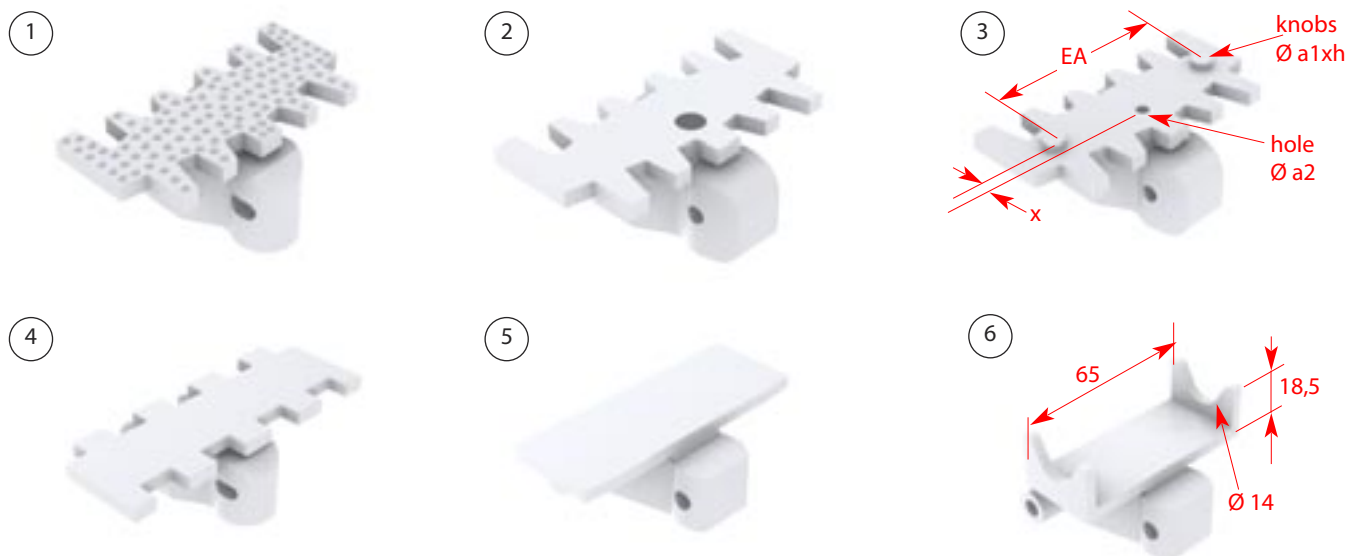
/ COATED CHAINS

for horizontal or sloping transfer

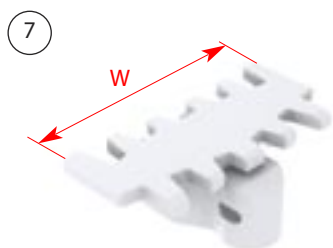


		FK	FS - SS	FM - SM	FC - SC	FL
Coated natural acetal chains	Pitch	25,4	25,4	33,5	35,5	35,5
	Width	44	63	83	103	150
Coating / accumulation impossible	Figure					
Velvet grey flocking / fragile products	1	FKFC 5	FSFC 5	FMFC 5	FCFC 5	FLFC 5V
Flocking, colour to order		✓	✓	✓	✓	✓
Flat grey anti-slip insert on all links	2	FKFT 5	FSFT 5	FMFT 5A	FCFT 5A	
Idem, (L= pitch of coated links)		FKFT 5-L	FSFT 5-L	FMFT 5A-L	FCFT 5A-L	
Translucent flat anti-slip insert / all links			FSFT 5A	FMFT 5T	FCFT 5T	
Idem, (L= pitch of coated links)			FSFT 5A-L	FMFT 5T-L	FCFT 5T-L	
Translucent diamond-shaped insert / on all links	3	FKFT 5C	FSFT 5C	FMFT 5	FCFT 5	
Idem, (L= pitch of coated links)		FKFT 5C-L	FSFT 5C-L	FMFT 5-L	FCFT 5-L	
Translucent insert / on all links			FSFT 5F			
Anti-slip insert on all links	B		FSFT 5B	FMFT 5B	FCFT 5B	
Idem, (L= pitch of coated links)			FSFT 5B-L	FMFT 5B-L	FCFT 5B-L	
LF acetal variant					FCFT 5B LF	
Flat anti-slip insert on all links	4					FLFT 5V
Idem with lateral roller	5			EMFT 5R		
Idem, (L= pitch of coated links)				EMFT 5R-L		
Grooved anti-slip insert on all links	D			FMFT 5D	FCFT 5D	
Idem, (L= pitch of coated links)				FMFT 5D-L	FCFT 5D-L	
Short studded anti-slip insert / all links	E		FSFT 5E	FMFT 5E	FCFT 5E	
Idem, (L= pitch of coated links)				FSFT 5E-L	FMFT 5E-L	FCFT 5E-L
Coating / accumulation possible						
50 HRC steel (for mechanical parts)	6		FSST 5FA	FMST 5FA	FCST 5	
Stainless Steel	7	FKST 5S				
	6		FSST 5S	FMST 5S	FCST 5S	

/ SPECIAL FLAT CHAINS



		FK	FS - SS		FM - SM	FC - SC
	Pitch	25,4		33,5	35,5	
	W	44	56	63	83	103
	Figure					
Acetal chain, anti-stick surface	1			FSNS 5		
With magnetic insert	2			FSMT 5	FMMT 5	FCMT 5
EA "universal" acetal chain = centre distance	3	FKUC 5 Øa1 = 2,9 EA = 30 h = 1,8		FSUC 5 Øa1=5 Øa2=3 EA=45 x=3,3	FMUC 5 Øa1=Øa2=6 EA= 50 x=3 h = 2	
Idem, (L= pitch of "universal" links)				FSUC 5-L	FMUC 5-L	
Flat chain, radius ≥ 700 mm, acetal			FSPC 5 R700 56	FSPC 5 R700		
Flat chain, radius ≥ 700 mm, PBT	4 (*)		FSPC 5 R700 56 PBT	FSPC 5 R700 PBT		
Flat chain, radius ≥ 500 mm, acetal					FMPC 5 R500	
Flat chain, radius ≥ 700 mm, acetal	5 (*)				FMPC 5 R700	
Cradle chain Ø14, acetal <i>incompatible with horizontal curves</i>	6				FMB14 5	



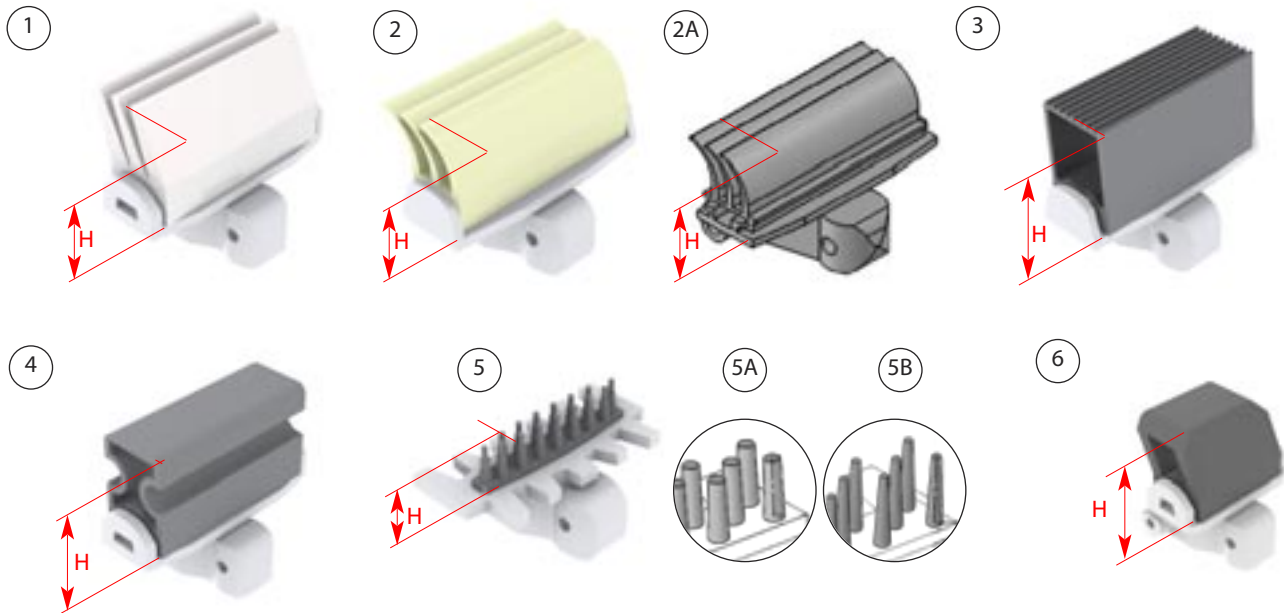
(*) Chains incompatible with intermediate drives

*References of width 76 mm require special drive modules, and curves $R \geq 500$ mm

		FS - SS			
	Pitch	25,4			
Chains in... (POM = acetal)->	Figure	POM	W	PBT	W
Flat chain, width 36	7	FSPC 5 36	36	FSPC 5 36 PBT	36
Flat chain, width 51		FSPC 5 51	51	FSPC 5 51 PBT	51
Flat chain, width 52		FSPC 5 52	52	FSPC 5 52 PBT	52
Flat chain, width 76		FSPC 5 76	76	FSPC 5 76 PBT *	76

/ WEDGE CHAINS

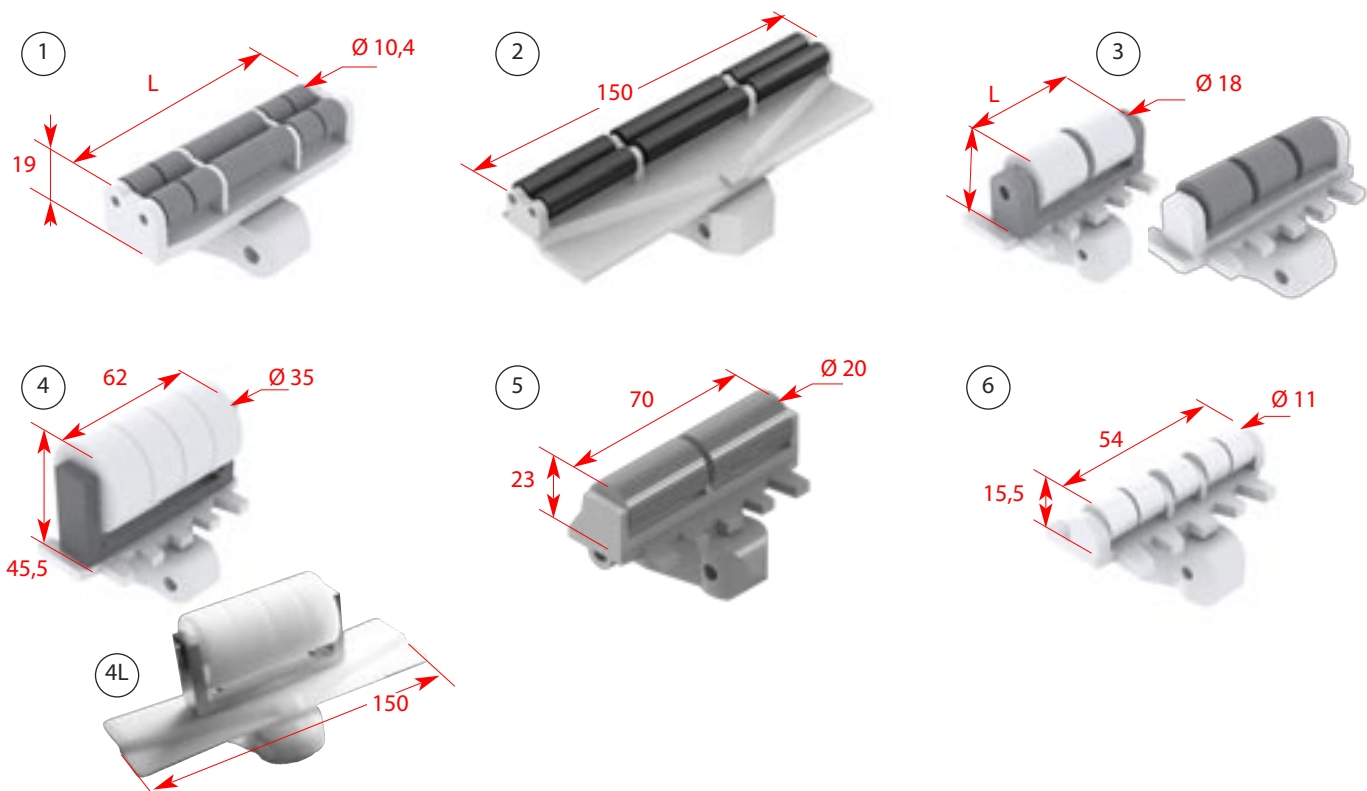
References for each chain link fitted with an insert, dimension H taken above the slat.



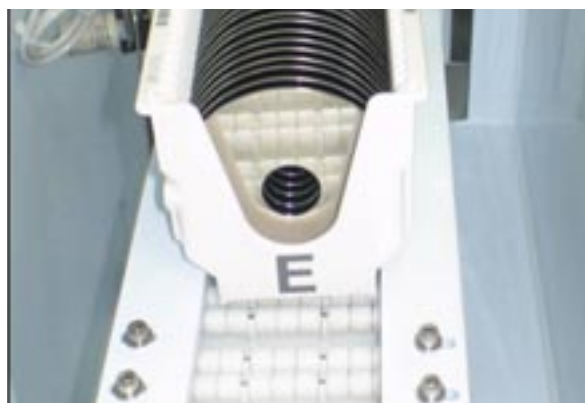
		FK		FS - SS		FM - SM	
	Pitch	25,4				33,5	
	W	44 - 45		63		83	
	Figure		H ↓		H ↓		H ↓
Slat insert	1			FSWT 5BA	30	FMWT 5B	31,3
Flexible slat insert	2			FSWT 5B	28		
		FKWT 5D	25	FSWT 5D	25	FMWT 5DC	32
	2A					FMTE 5C	27,5
Tubular insert	3	FKWT 5C	30	FSWT 5C	30	FMWT 5C	30
Tubular insert with 1 fold	4	FKWT 5DA	30	FSWT 5DA	30	FMWT 5DA	30
<i>"Brush" insert for light loads (<1kg)</i>							
soft stepped studs (grey colour)	5	FKWT 5A	12,5	FSWT 5A	10	FMWT 5A	11,5
semi-soft conical studs (translucent)	5A					FMWT 5A FA	11
soft conical studs (translucent)	5B					FMTE 5BS	11
Inclined tubular insert	6	FKWT 5DB	25	FSWT 5DB	25		



/ ROLLER CHAINS / LUG / ROLLER CHAINS



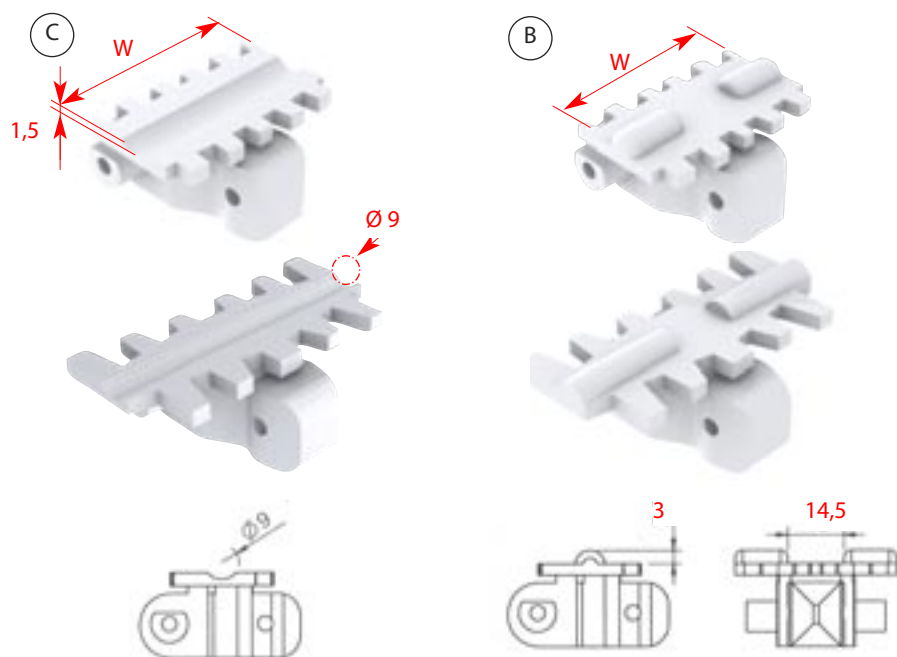
		FS - SS	FM - SM	FC - SC	FL
Acetal chains with...	Pitch	25,4	33,5	35,5	35,5
	W	63	83	103	150
	Figure				
2 rows of rollers Ø10.4 on each link	1		FMRT 5 (L=72)	FCRT 5 (L=93)	
	2				FLRT 5V
1 row of rollers Ø18 on each link	3	FSRC 5A (L=39)	FMRC 5A (L=60)	FCRC 5A (L=60)	
Same as pitch = (roller lug function)		FSRC 5A L		FCRC 5A L	
1 row of rollers Ø35 on each link	4		FMRC 5B	FCRC 5B	FLRC 5VB (4L)
Same as pitch = (roller lug function)			FMRC 5B L	FCRC 5B L	
1 row of rollers Ø20 on each link	5		FMRC 5C		
Same as pitch = (roller lug function)			FMRC 5C L		
1 row of rollers Ø11 on each link	6	FSRT 5			
Same as pitch = (roller lug function)		FSRT 5 L			



ELCOM / **FABER** / TRANSEPT

/ GROOVED CHAINS OR CHAINS WITH DOMED RELIEF

Usual Application: transport of cigarettes,
same reference for every chain link



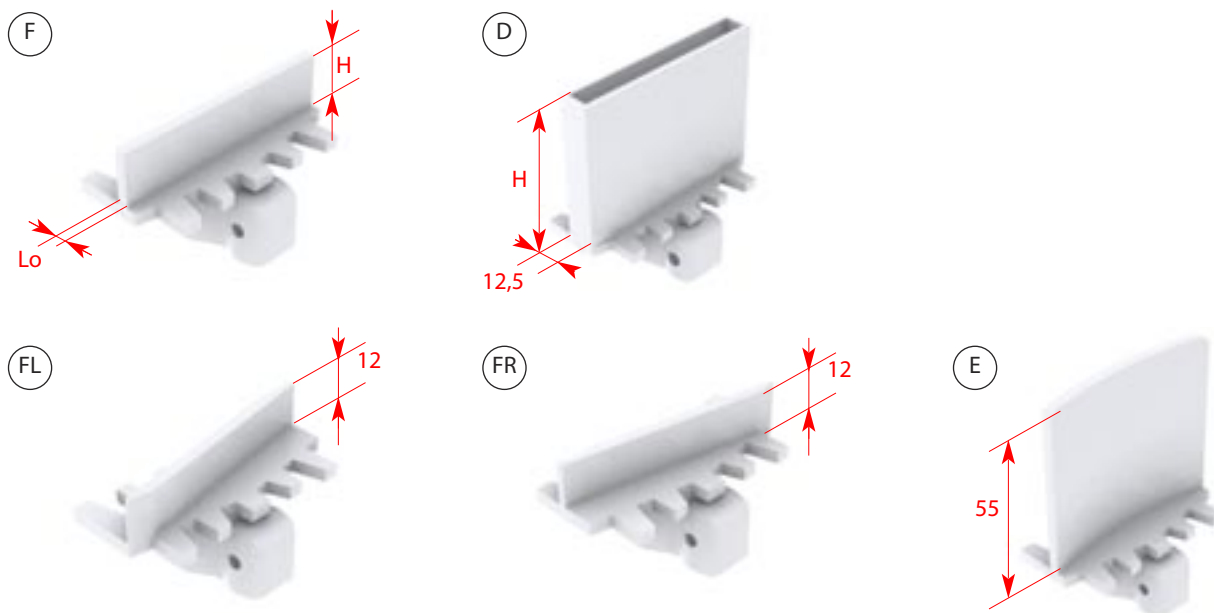
		FK				FS - SS			
	Pitch	25,4				25,4			
Chains in... (POM = acetal)->	Figure	POM	W	PBT	W	POM	W	PBT	W
Chain with R 4.5 groove	C	FKCT 5C	44			FSCT 5C	63	FSCT 5C PBT	63
Reduced width variant						FSCT 5C 51	51	FSCT 5C 51 PBT	51
Chain with domed reliefs	B	FKCT 5B	43	FKCT 5B PBT	43	FSCT 5B	63	FSCT 5B PBT	63
Reduced width variant		FKCT 5B 36	36			FSCT 5B 51	51	FSCT 5B 51 PBT	51
Increased width variant						FSCT 5B 76 *	76	FSCT 5B 76 PBT *	76

*References of width 76 mm require special drive modules, and curves $R \geq 500$ mm



/ WIDE LUG CHAINS

(same width as the link) Horizontal or sloping transfer, without accumulation
References for lug link with a pitch L (multiple of the pitch of the chain)



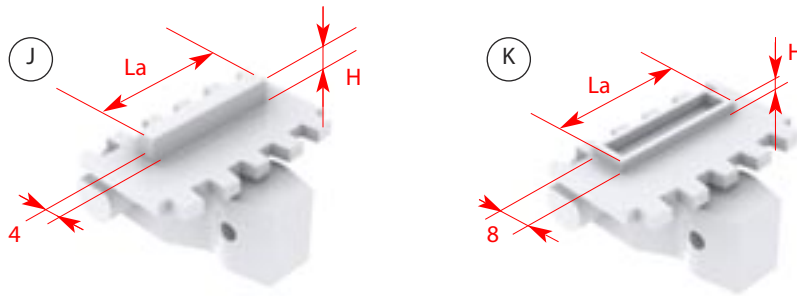
		FK		FS - SS		FM - SM	
Acetal chains	Pitch	25,4		25,4		33,5	
Chain width = Lug width	W	44		63		83	
Thickness of thin lug	Lo	2		3		3,5	
	Figure		H ↓		H ↓		H ↓
Thin lug chains	F	FKCT 5F3 L	3	FSCT 5F15 L	15	FMCT 5F15 L	15
		FKCT 5F5 L	5			FMCT 5F20 L	20
		FKCT 5F9 L	9	FSCT 5F30 L	30	FMCT 5F30 L	30
Thick lug chains	D					FMCT 5D40 L	40
						FMCT 5D60 L(**)	60
						FMCT 5D80 L(**)	80
Inclined lug chains	FL			FSCT 5FL12 L	12		
	FR			FSCT 5FR12 L	12		
Curved lug chains	E			FSCT 5E55 L(*)	55		

(*) $L \geq 50,8 \text{ mm}$

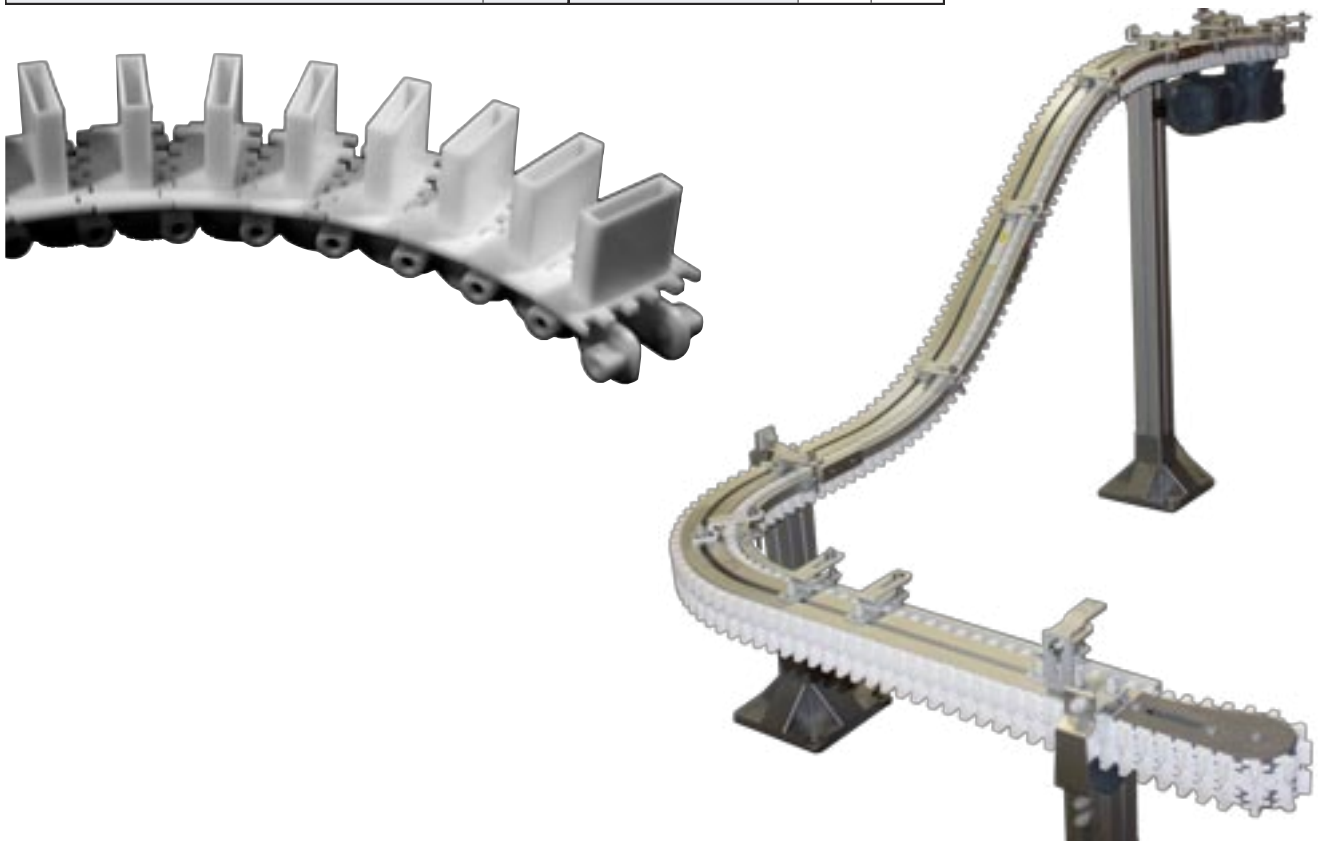
(**) $L \geq 67 \text{ mm}$

/ NARROW LUG CHAINS

(width less than the width of the link) Horizontal or sloping transfer, without accumulation of small products
 (lateral guiding positioned above the smooth part of the chain) References for lug link at pitch L (multiple of the chain pitch)



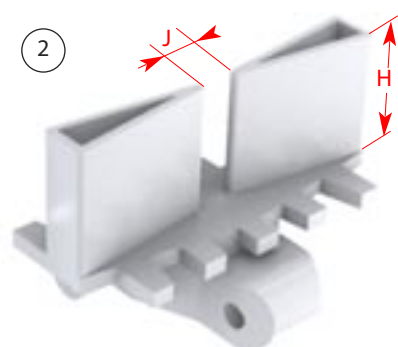
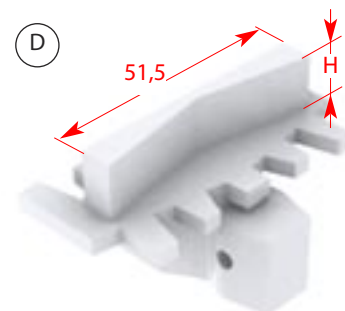
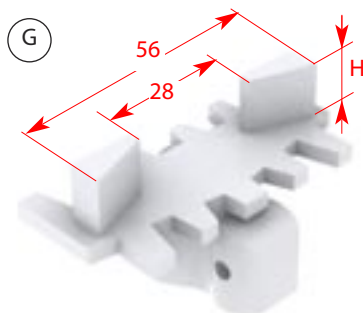
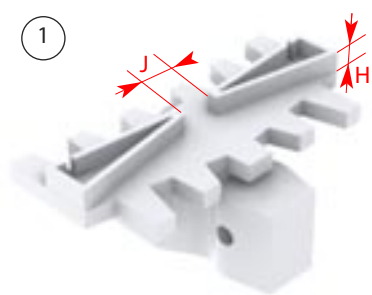
		FK		
Acetal chains	Pitch	25,4		
Chain width	W	44		
Lug width	La	30		
	Figure		H ↓	La
Thin lug chain	J	FKCT 5J6 L	6	30
		FKCT 5G30 L	30	26
Thick lug chain	K	FKCT 5K3 L	3	30
		FKCT 5K5.5 L	5,5	
		FKCT 5K9 L	9	
		FKCT 5K20 L	20	
		FKCT 5K27 L	27	



/ LUG CHAINS

Horizontal or sloping transfer, without accumulation

References for lug link with a pitch L (multiple of the pitch of the chain)

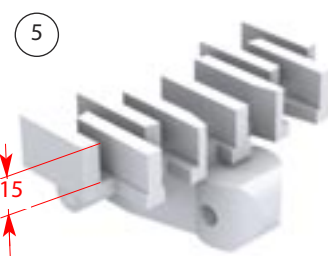
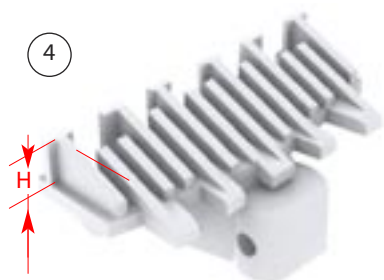
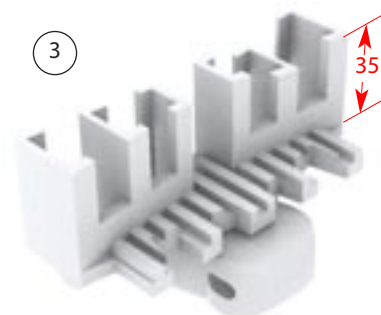
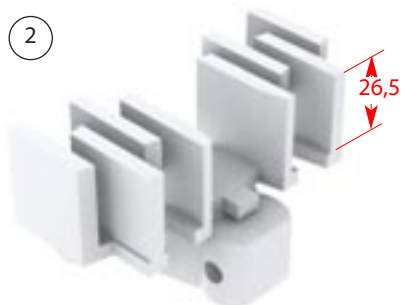


			FS - SS	FM - SM	FC - SC
Acetal chains	Pitch		25,4	33,5	35,5
	W		63	83	103
	Figure	H ↓	J = 8	J = 8	J = 15,5
Open lug chains	1	4	FSCT 5A4 L		
		5,5	FSCT 5A5.5 L		
	2	9	FSCT 5A9 L		
		12	FSCT 5A12 L		
		15	FSCT 5A15 L	FMCT 5A15 L	FCCT 5A15 L
		17	FSCT 5A17 L	FMCT 5A17 L	FCCT 5A17 L
		20			FCCT 5A20 L
		30	FSCT 5A30 L	FMCT 5A30 L	FCCT 5A30 L
Closed lug chains	D	12	FSCT 5D12 L		
		15	FSCT 5D15 L		
		30	FSCT 5D30 L		

/ RIB CHAINS

For wet conditions. Horizontal (improved sliding) or sloping transfer (Figure 4)

References for each identical chain link

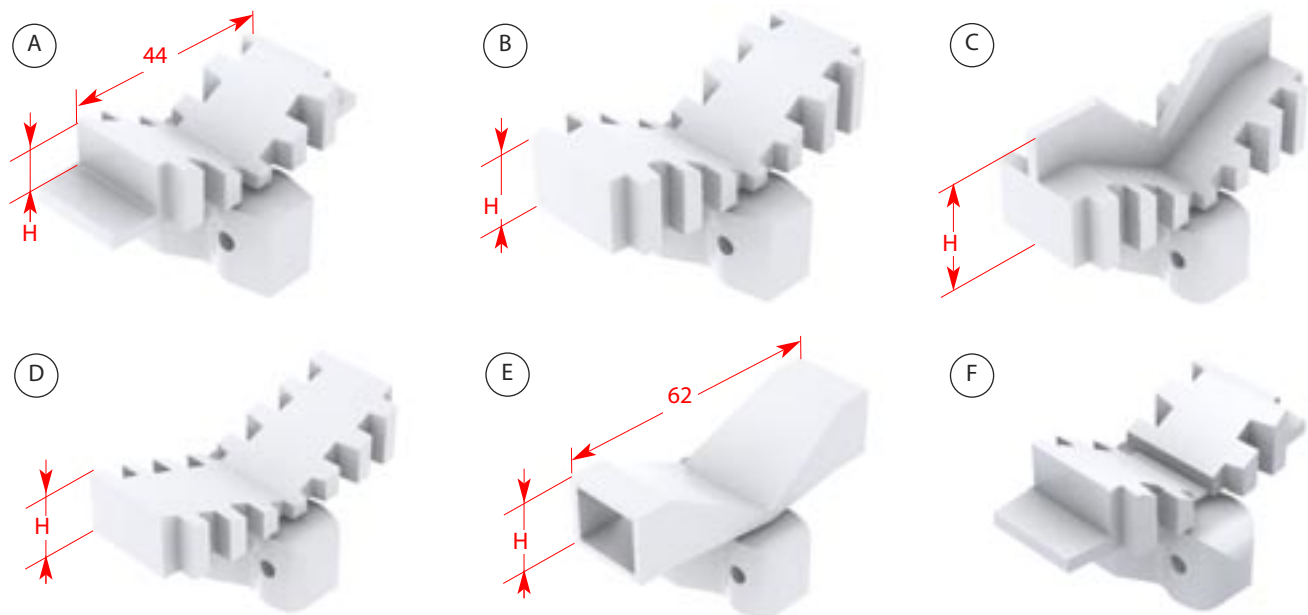


		FS - SS	FM - SM	FC - SC
Acetal chains	Pitch	25,4	33,5	35,5
	W	63	83	103
	Figure			
Rib h=3	1		FMRB 5A	FCRB 5A
Rib h=26.5	2		FMRB 5B	
Rib + support h=35	3			FCRB 5B
Sloping reliefs	4	FSRB 5C (H=12)	FMRB 5C (H=15,4)	
Rib h=15	5		FMRB 5D	



/ V-SHAPED CHAINS

Horizontal or sloping transfer of cylindrical products References for each identical chain link



			FK	FS - SS	FM - SM	FC - SC
Acetal chains	Pitch		25,4	25,4	33,5	35,5
	W		44	63	83	103
Vat...	Figure	H ↓				
120°	A	13		FSCV 5A		
	B	13	FKCV 5B			
120°		15		FSCV 5B		
140°		16			FMCV 5B	
145°		17				FCCV 5B
	C	17	FKCV 5C			
		25		FSCV 5C		
140°	D	14		FSCV 5D		
	E	15		FSCV 5E		
120° with a flat in the bottom of the "V"	F	13		FSCV 5F		

/ FLANGED CHAIN

Chains with flange(s) or longitudinal grooves

References for each identical chain link



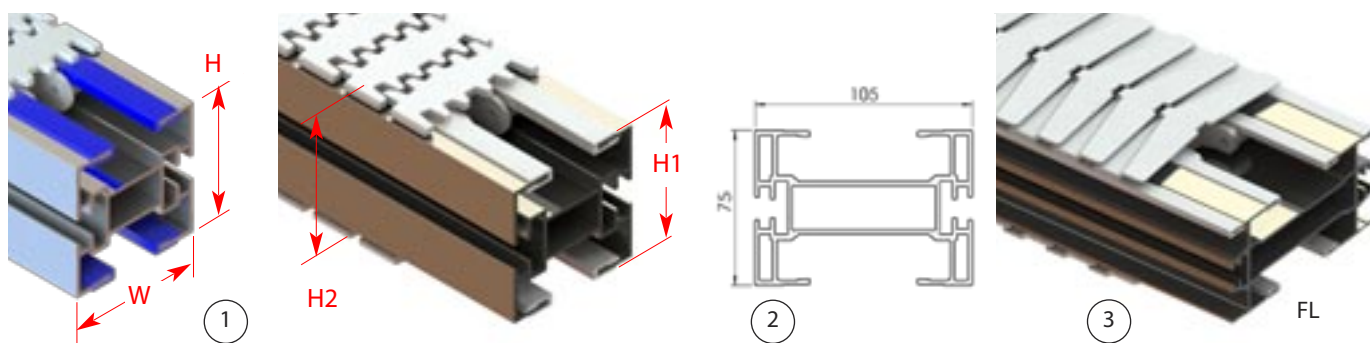
		FK		FS - SS
Acetal chains	Pitch	25,4		25,4
	W	44		63
	Figure	H=3	H=6	H=18
A flange on both sides	1	FK2R 5 3	FK2R 5 6	FS2R 5 18
A flange on the left side	2	FKRG 5 3	FKRG 5 6	
A flange on the right side	3	FKRD 5 3	FKRD 5 6	

/ CHAIN WITH TRANSVERSE GROOVE



		FK
	Pitch	25,4
	W	44
Groove width 15 mm depth 0.7 mm		FKTR 5

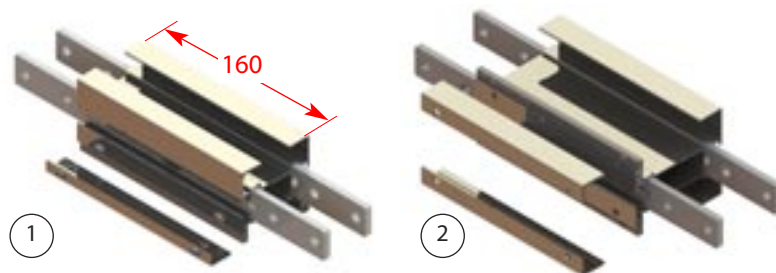
/ CONVEYOR PROFILE SECTIONS,



		FK	FS	FM	FC	FL
Width of the conveyor / W profile section	Fig.	45 / 45	65 / 65	85 / 85	105 / 105	155 / 150
Reference	1	KPS	SPS	MPS	CPS	
Strengthened variant	2				FCCB 3R	
	3					FLCB
Height H aluminium profile only		64	63	74	74,5	75
Heights H1 / H2 (standard chain)		66 / 73	66 / 74	76 / 86	76 / 87	77 / 93
Standard lengths		3 et 6 m				3 m

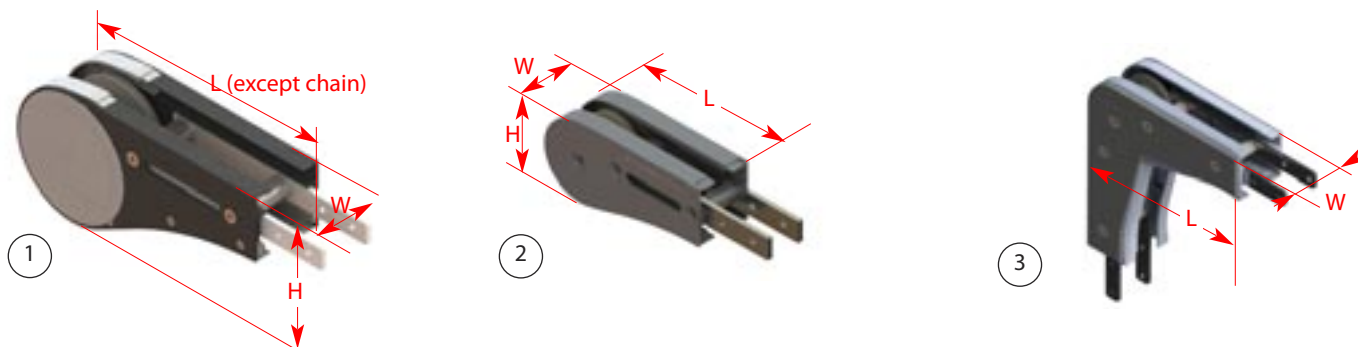
/ INTERVENTION MODULES

They facilitate accessibility for dismantling and reassembly of the chain.



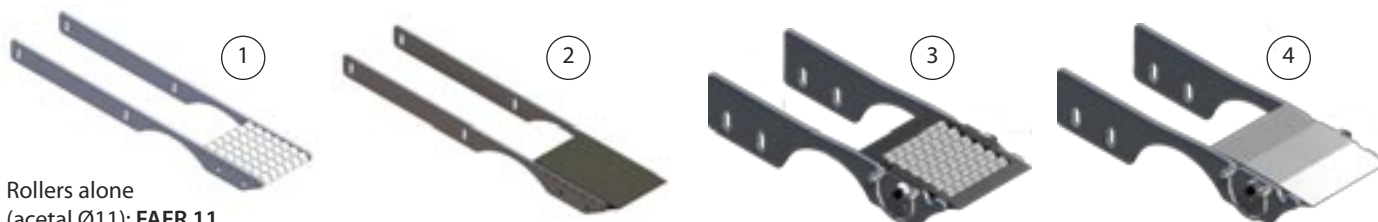
		FK	FS	FM	FC	FL
Conveyor width W		45	65	85	105	155
Single intervention module	1	FKCC 160	FSCC 160	FMCC 160	FCCC 160	FLCC 160
Double intervention module	2			FMCC 160D		

/ IDLER MODULES



		FK	FS	FM	FC	FL
Standard models	Figure					
Standard end idler	1		FSIE A65	FMIE A85	FCIE A105	FLIE A150
Dimensions (H = including standard chain)			L = 320 ; H = 158 ; W = 65	L = 320 ; H = 160 ; W = 85	L = 325 ; H = 170 ; W = 105	L = 325 ; H = 174 ; W = 155
Compact versions						
Compact end idler	2	FKIE 200	FSIE 200	FMIE 260P	FCIE 280P	
Dimensions (H = including standard chain)		L = 200 ; H = 101 ; W = 45	L = 200 ; H = 102 ; W = 65	L = 256 ; H = 132 ; W = 85	L = 275 ; H = 138 ; W = 105	
90° idler Reference			FSIB 206	FMIB 300	FCIB 350	
Dimensions	3		L = 200 ; W = 65	L = 300 ; W = 93	L = 350 ; W = 113	

/ TRANSFER KITS FOR END MODULES



Rollers alone
(acetal Ø11): **FAFR 11**

		FK	FS	FM	FC	FL
For standard end modules (do not fit on compact versions)	Figure		(FSIE 65 FSDD 65... FSDD GP...)	(FMIE 85 FMDD 85... FMDD GP...)	(FCIE 105 FCDD 105... FCDD GP...)	(FLIE 325 FLDD... FLDD GP...)
Roller transfer kit (standard)		FKTB A45F	FSTB A65F	FMTB A85F	FCTB A105F	FLTB A150F
Plate transfer kit (standard)		FKTB A45PF	FSTB A65PF	FMTB A85PF	FCTB A105PF	FLTB A150PF
For new standard end modules (do not fit on compact versions)			(FSIE A65) (FSDD A65...)	(FMIE A85)	(FCIE A105)	(FLIE A150)
Removable roller transfer kit	3		FSTB A65	FMTB A85	FCTB A105	FLTB A150
Removable plate transfer kit	4		FSTB A65P	FMTB A85P	FCTB A105P	FLTB A150P
For end modules with transmission		(FKSD...)	(FSSD...)	(FMSD...)	(FCSD...)	(FLSD...)
Roller transfer kit	1	FKTB 45SD	FSTB 65SD	FMTB 85SD	FCTB 105SD	FLTB 150SD
Plate transfer kit	2	FKTB 45PSD	FSTB 65PSD	FMTB 85PSD	FCTB 105PSD	FLTB 150PSD
For compact idler modules	->	(FKIE-45)	(FSIE-200)	(FMIE-260P)	(FCIE-280P)	
Roller transfer kit	1	FKTB 200	FSTB 200	FMTB 260	FCTB 280	
Plate transfer kit	2	FKTB 200P	FSTB 200P	FMTB 260P	FCTB 280P	

/ DRIVE MODULES

for all of these modules, the motors have to be ordered separately.
Multi-track modules to order.



Standard models (intended for SEW WAF20° or WAF30° gear motors, shaft Ø20, flange Ø120)

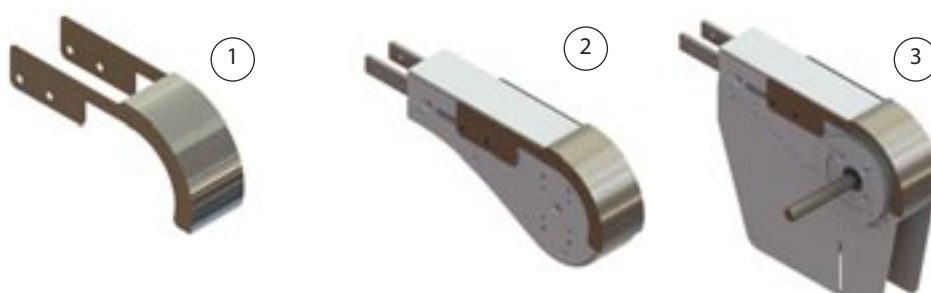
		FK	FS	FM	FC	FL
	Figure					
Gear motor on the left	G	FKDD A45 0L	FSDD A65 0L	FMDD A85 0L	FCDD A105 0L	FLDD A150 0L
Gear motor on the right	D	FKDD A45 0R	FSDD A65 0R	FMDD A85 0R	FCDD A105 0R	FLDD A150 0R
Dimensions (*) excluding chain		L = 320 ; H = 250 W = 57	L = 320 ; H = 265 W = 65	L = 320 ; H = 265 W = 85	L = 325 ; H = 265 W = 105	L = 325 ; H = 285 W = 155
Gear (Z=Nbr of teeth)		Z16 Øp 130,2	Z16 Øp 130,2	Z12 Øp 129,4	Z12 Øp 137,2	Z12 Øp 137,2
Maximum tensile force		500 N			1250 N	

Compact models (intended for SEW WAF10° gear motors, shaft Ø16, flange Ø80)

		FK	FS	FM	FC	FL
	Figure					
Gear motor on the left	G	FKDD 250 0L	FSDD 250 0L			
Gear motor on the right	D	FKDD 250 0R	FSDD 250 0R			
Dimensions (H = including standard chain)		L = 250 ; H = 160 W = 51	L = 250 ; H = 162 W = 65			
Gear (Z=Nbr of teeth)		Z11 Øp 90	Z11 Øp 90			
Maximum tensile force		500 N				

Protection plate for chain winding

			FS	FM	FC	
	Fig.					
Guard plate	1		FSDD-PCB	FMDD-PCB	FCDD-PCB	
For idler modules	2		(FSIE A65)	(FMIE A85)	(FCIE A105)	
For direct drive modules	3		(FSDD A65)	(FMDD A85)	(FCDD A105)	

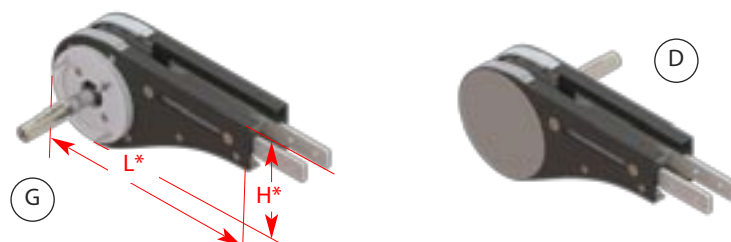


/ DRIVE MODULES

for all these modules, the motors have to be ordered separately.
Multi-track modules to order.

Variants without slack strand for wedge conveyors

Standard models (intended for SEW WAF20° or WAF30° gear motors, shaft Ø20, flange Ø120)

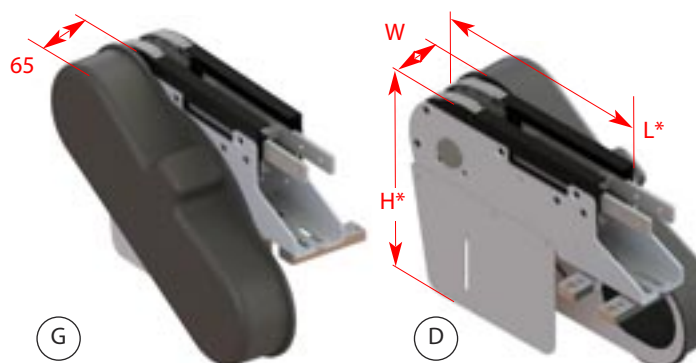


		FK	FS	FM	FC	FL
	Figure					
Gear motor on the left	G	FKDD A45GP 0L	FSDD A65GP 0L	FMDD A85GP 0L	FCDD A105GP 0L	FLDD A150GP 0L
Gear motor on the right	D	FKDD A45GP 0R	FSDD A65GP 0R	FMDD A85GP 0R	FCDD A105GP 0R	FLDD A150GP 0R
Dimensions (H = including standard chain)		L = 320 ; H = 160 ; W = 57	L = 320 ; H = 162 ; W = 65	L = 320 ; H = 162 ; W = 85	L = 325 ; H = 171 ; W = 105	L = 325 ; H = 176 ; W = 155
Gear (Z=Nbr of teeth)		Z16 Øp 130,2		Z12 Øp 129,4	Z12 Øp 137,2	
Maximum tensile force		500 N		1250 N		

Drive modules with transmission and adjustable torque limiter

Standard support plate intended for SEW W30°, S37° gear motors in the horizontal position.

Transmission by 08B roller chain (pitch = 12.7 mm, 3m included by module) gears: 19 teeth; Ø prim = 77.16 mm.



		FK	FS	FM	FC	FL
	Figure					
Gear motor on the left	G	FKSD A45 0L	FSSD A65 0L	FMSD A85 0L	FCSD A105 0L	FLSD A150 0L
Gear motor on the right	D	FKSD A45 0R	FSSD A65 0R	FMSD A85 0R	FCSD A105 0R	FLSD A150 0R
Dimensions (*) excluding chain		L = 320 ; H = 278 ; W = 57	L = 320 ; H = 265 ; W = 77	L = 320 ; H = 265 ; W = 97	L = 320 ; H = 265 ; W = 117	L = 325 ; H = 285 ; W = 166
Gear (Z=Nbr of teeth)		Z16 Øp 130,2		Z12 Øp 129,4	Z12 Øp 137,2	
Maximum tensile force		500 N		1250 N		

/ INTERMEDIATE DRIVE MODULES

for all these modules, the motors have to be ordered separately.
Multi-track modules to order.

Direct intermediate drive modules without torque limiter (*)

(intended for SEW WAF20° or WAF30° geared motors, shaft Ø20, flange Ø120)
(drive pinion on the lower strand of the chain, tensile force max 200 N)

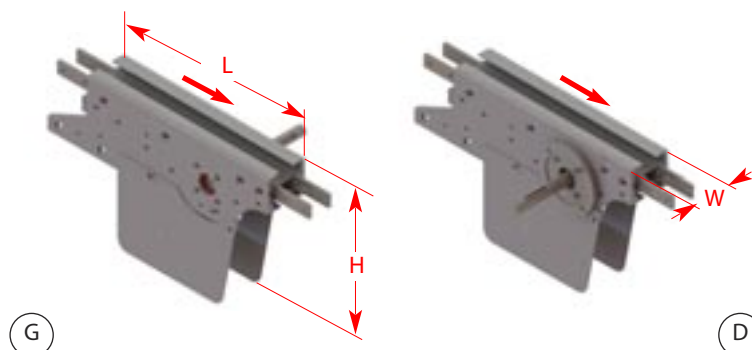


	Figure	FK	FS	FM	FC
Gear motor on the left	G	FKID DD 0L	FSID DD 0L(*)	FMID DD 0L(*)	FCID DD 0L
Gear motor on the right	D	FKID DD 0R	FSID DD 0R(*)	FMID DD 0R(*)	FCID DD 0R
Dimensions		L = 380 ; H = 280 ; W = 57	L = 380 ; H = 280 ; W = 77	L = 465 ; H = 300 ; W = 97	L = 465 ; H = 300 ; W = 117
Gear (Z=Nbr of teeth)		Z11 Øp 90		Z9 Øp 98	Z9 Øp 104

(*) Not compatible with closed chains (R500 and R700),
items 4 and 5 of page 14

Intermediate drive modules with transmission and adjustable torque limiter (*)

Standard support plate intended for SEW W30°, S37° gear motors in the horizontal position, max. tensile force 200 N
Transmission by 08B roller chain (pitch = 12.7 mm, 3m included per module) gears: 19 teeth; Ø prim = 77.16 mm.

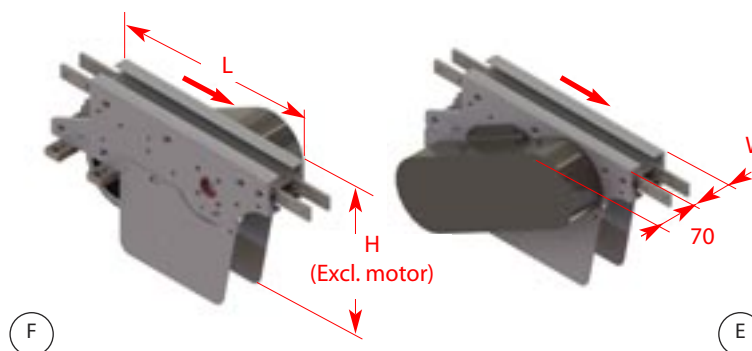


	Figure	FK	FS	FM	FC
Gear motor on the left	F	FKID SD 0L	FSID SD 0L(*)	FMID SD 0L(*)	FCID SD 0L
Gear motor on the right	E	FKID SD 0R	FSID SD 0R(*)	FMID SD 0R(*)	FCID SD 0R
Dimensions		L = 380 ; H = 280 ; W = 57	L = 380 ; H = 280 ; W = 77	L = 465 ; H = 300 ; W = 97	L = 465 ; H = 300 ; W = 117
Gear (Z=Nbr of teeth)		Z11 Øp 90		Z9 Øp 98	Z9 Øp 104

(*) Not compatible with closed chains (R500 and R700),
items 4 and 5 of page 14

/ CATENARY DRIVE MODULES

for all these modules, the motors have to be ordered separately.
Multi-track modules to order.

Drive modules with direct catenary, without torque limiter

(intended for SEW WAF20° or WAF30° geared motors, shaft Ø20, flange Ø120)

(drive gear under the upper strand of the chain, the conveyor has no return strand)

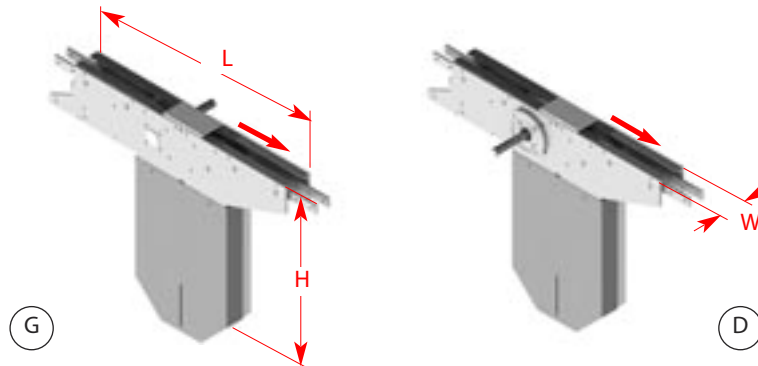


	Figure	FK	FS	FM	FC
Gear motor on the left	G	FKCD DD 0L	FSCD DD 0L	FMCD DD 0L	FCCD DD 0L
Gear motor on the right	D	FKCD DD 0R	FSCD DD 0R	FMCD DD 0R	FCCD DD 0R
Dimensions		L = 670 ; H = 560 ; W = 57	L = 670 ; H = 560 ; W = 77	L = 675 ; H = 567 ; W = 97	L = 685 ; H = 560 ; W = 117
Gear (Z=Nbr of teeth)		Z16 Øp 133,8		Z12 Øp 129,4	Z12 Øp 137,2
Maximum tensile force		500 N		1250 N	

Catenary drive modules with transmission and adjustable torque limiter

Standard support plate intended for SEW W30°, S37° gear motors in the horizontal position.

(drive gear under the upper strand of the chain, the conveyor has no return strand)

Transmission by 08B roller chain (pitch = 12.7 mm, 3m included per module) gears: 19 teeth; Ø prim = 77.16 mm.

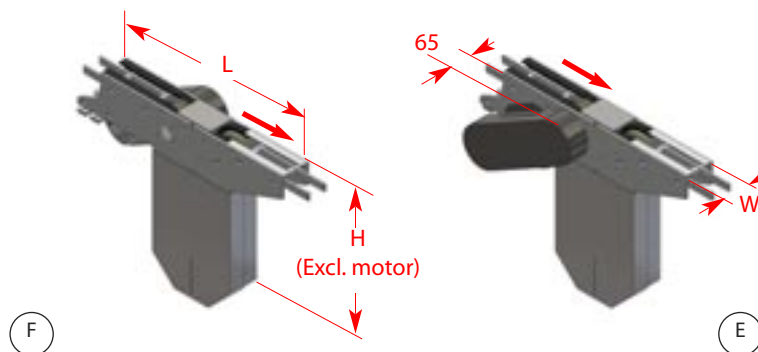
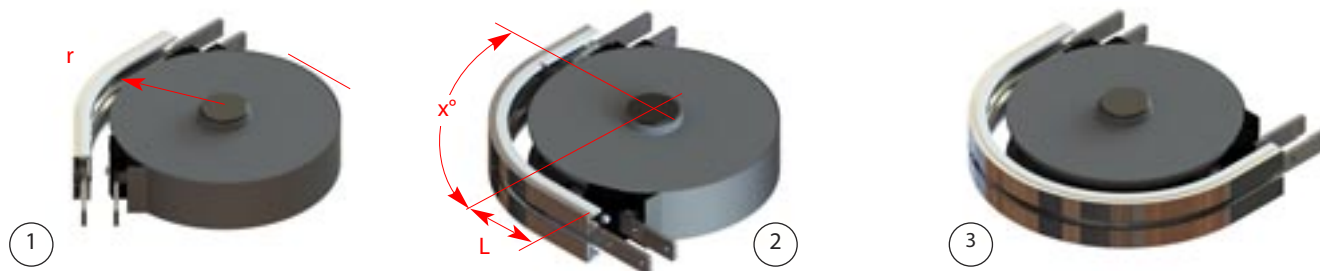


	Figure	FS	FM	FC
Gear motor on the left	F	FSCD SD 0L	FMCD SD 0L	FCCD SD 0L
Gear motor on the right	E	FSCD SD 0R	FMCD SD 0R	FCCD SD 0R
Dimensions		L = 670 ; H = 560 ; W = 77	L = 675 ; H = 567 ; W = 97	L = 685 ; H = 560 ; W = 117
Gear (Z=Nbr of teeth)		Z16 Øp 133,8	Z12 Øp 129,4	Z12 Øp 137,2
Maximum tensile force		500 N	1250 N	

/ CURVES WITH WHEELS

Curve modules with wheels

These modules allow friction-free chain guiding. The wheels are made from fibre glass reinforced nylon and are held by double sealed ball bearings ensuring durability and minimum friction. Linking fish plates included in each module.



		FK	FS	FM	FC	FL
Angle x°	Figure	FKWB...	FSWB...	FMWB...	FCWB...	FLWB...
30°		FKWB 30R150A	FSWB 30R150A	FMWB 30R160A	FCWB 30R170A	FLWB 30R210A
45°	1	FKWB 45R150A	FSWB 45R150A	FMWB 45R160A	FCWB 45R170A	FLWB 45R210A
60°		FKWB 60R150A	FSWB 60R150A	FMWB 60R160A	FCWB 60R170A	FLWB 60R210A
90°	2	FKWB 90R150A	FSWB 90R150A	FMWB 90R160A	FCWB 90R170A	FLWB 90R210A
180°	3	FKWB 180R150A	FSWB 180R150A	FMWB 180R160A	FCWB 180R170A	FLWB 180R210A
Other angles (x°) to order		FKWB $xR150A$	FSWB $xR 150 A$	FMWB $xR160A$	FCWB $xR170A$	FLWB $xR 210 A$
Mean radius r		150	150	160	170	210
Lengths of the straight portions L		80				300

FKWB: It is not possible to fit these curves directly on drive modules FKDD and FKSD or idler FKIE. A straight module must be fitted between them.

/ CURVED DRIVE MODULES

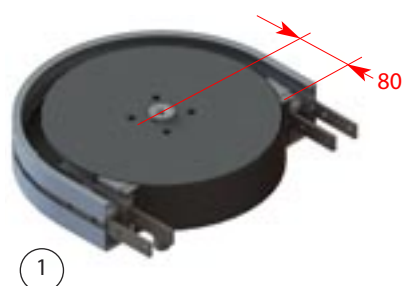
Curved drive modules, with sprocket, 180°:

These modules enable the motorization of "carousel" conveyors. An intervention module F..CC-160 is required.

The gear motor is positioned horizontally under the module, by direct fitting or with transmission.

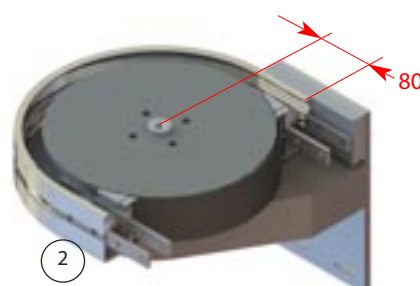
The position of the motor, direction of rotation (clockwise / anticlockwise to be specified on the order); gear motor and connection flange to be ordered separately. Allowable forces 200 N.

Linking fish plates included in each module (references of the fishplates the same as those of the curves with wheels above).



Direct curved drive modules,
without torque limiter

(intended for SEW WAF20° or WAF30° geared motors,
shaft $\varnothing 20$, flange $\varnothing 120$)



Curved drive modules with transmission
and torque limiter

Standard support plate intended
for SEW W30°, S37° gear motors in the horizontal position

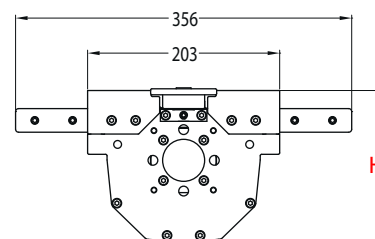
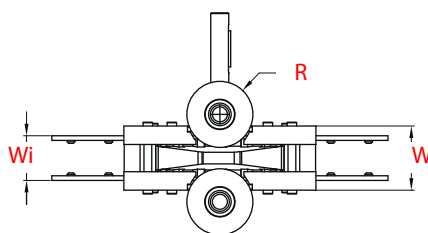
		FK	FS	FM	FC	FL
	Figure 1	FKWD DD 0M	FSWD DD 0M	FMWD DD 0M	FCWD DD 0M	
	Figure 2	FKWD SD 0M	FSWD SD 0M	FMWD SD 0M	FCWD SD 0M	FLWD SD 0M
Primitive radius / sprocket (Z= number of teeth)		150 mm / Z37	150 mm / Z37	160 mm / Z30	170 mm / Z30	210 mm / Z37

/ UPPER DRIVE MODULES

for "carousel" conveyors, only with the upper chain strand



Max load on the conveyor: 32 kg
 Max speed 60m/min
 Max conveyor length: 9m
 Only the upper chain strand is installed
 Patented system

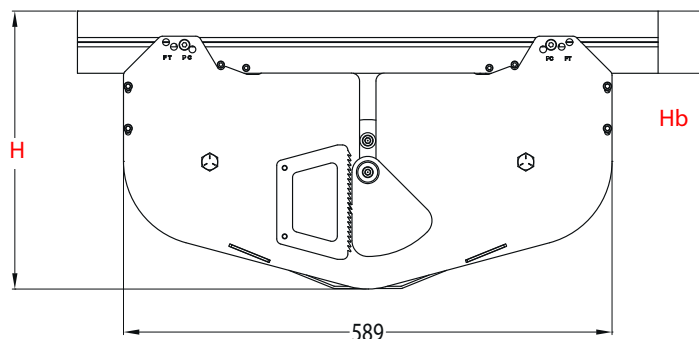


		FS	FM	FC	FL
Reference		FSTRD 203	FMTRD 203	FCTRD 203	FLTRD 203
Dimensions	W	68	88	108	150
	Wi	47	65	96	131
	R	35	37	41	41
	H	160	166	166	166

/ CHAIN TENSION MODULES

For conveyors with drive modules without slack strand

Reduce noise
 Recommended for conveyors with a length >12 m and a slope $\leq 30^\circ$
 Not compatible with wedge conveyors and specific chains

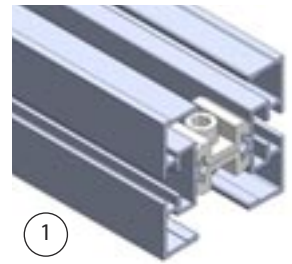


		FS	FM	FC	FL
Reference		FSWTU 700	FMWTU 700	FCWTU 700	FLWTU 700
Dimensions	Wu	104	124	144	191
	Hb	64	74	75	74
	H	321	335	335	334

/ HORIZONTAL CURVES ON SLIP RAILS:

These modules are made by bending 2 aluminium half-profile sections with spacers (figure 1). They allow reduced volume thanks to the absence of rotating plates, but create additional friction. We recommend a verification of the tensile forces applied to the chain (our Design Office is at your disposal).

Tolerance +/- 1 mm for the radius and +/- 1° for the angle. All angles and radii can be produced to order (see example of concentric curves below). Linking fish plates included in each module. In the event of significant forces or high speed, a bendable wear profile section in PA6 can be mounted on the inside using M5x10 screws (Figure 4).



1

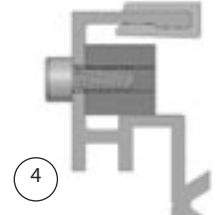
Examples: FCHB 30 R 500 (figure 2) and FCHB 90 R 500 (figure 3)



2



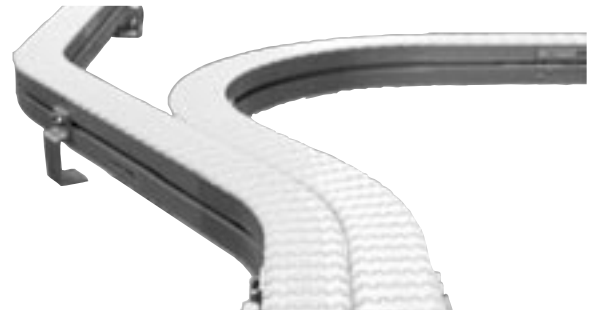
3



4

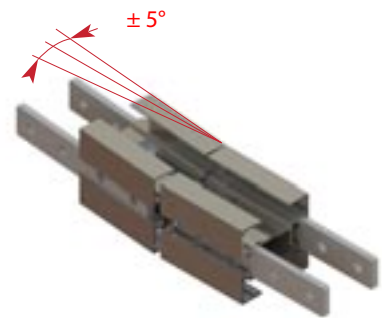
	FK	FS	FM	FC	FL
Standard angles x° , other on request	15°, 30°, 45°, 60°, 90°, 180°				
Radius y mm	150 (mini) - 300 - 500		250 (mini) - 500 - 700	300 (mini)-500-700-1000	500 (mini) - 700 - 1000
References of the modules (angle x° Radius y mm)	FKHB x R y	FSHB x R y	FMHB x R y	FCHB x R y	FLHB x R y
Example of a reference (Angle 90° Radius 500 mm)	FKHB 90 R 500	FSHB 90 R 500	FMHB 90 R 500	FCHB 90 R 500	FLHB 90 R 500
Standard lengths of the straight portions L	200				
Linking fish plates included in each module.	FACS 20x140	FACS 25x140A			

FKHB only: It is not possible to fit these curves directly on drive modules FKDD and FKSD or idler FKIE. A straight module must be fitted between them.



E.g.: Concentric curves

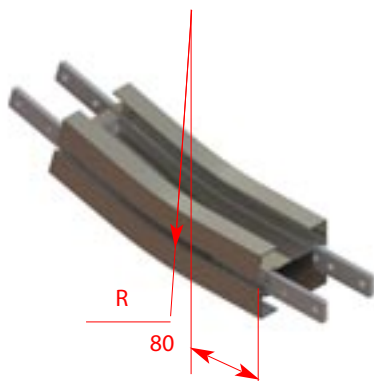
/ ARTICULATED HORIZONTAL CURVES ON SLIP RAILS:



	FK	FS	FM	FC	FL
References of the modules		FSHAB 5	FMHAB 5	FCHAB 5	
Linking fish plates included in each module.	FACS 20x140	FACS 25x140A			

/ VERTICAL CURVES ON SLIP RAILS:

Vertical curves enable a change in slope of the conveyors. Like all curves on slip rails, they cause additional friction. Standard aluminium curves, kept in stock. These modules are made by bending aluminium beam section on which is fitted the slip profile in continuity of the upstream and downstream modules.

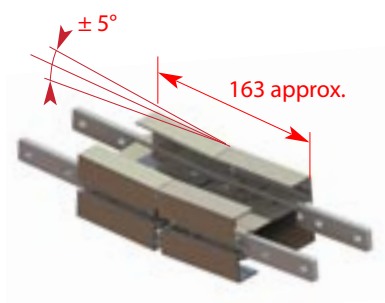


	FK	FS	FM	FC	FL
Standard angles x° , other on request	5°, 7°, 10°, 15°, 30°, 45°, 90°				
Radius R (mm)	300	300	400	400	500
References of the modules (angle x°)	FKVB x R 300	FSVB x R 300	FMVB x R 400	FCVB x R 400	FLVB x R 500
Example of a reference (angle 7°)	FKVB 7 R 300	FSVB 7 R 300	FMVB 7 R 400	FCVB 7 R 400	FLVB 7 R 500
Standard lengths of the straight portions L	80				
Linking fish plates included in each module.	FACS 20x140	FACS 25x140A			

For angles $< 2^\circ$, a simple bias cut can be made on straight beams, with fish plating by FACS-20X140

/ ARTICULATED VERTICAL CURVES ON SLIP RAILS:

This module allows you to adjust the slope of a straight section, for example, to adapt it to the height of the vials. Angles and straight parts made to order.

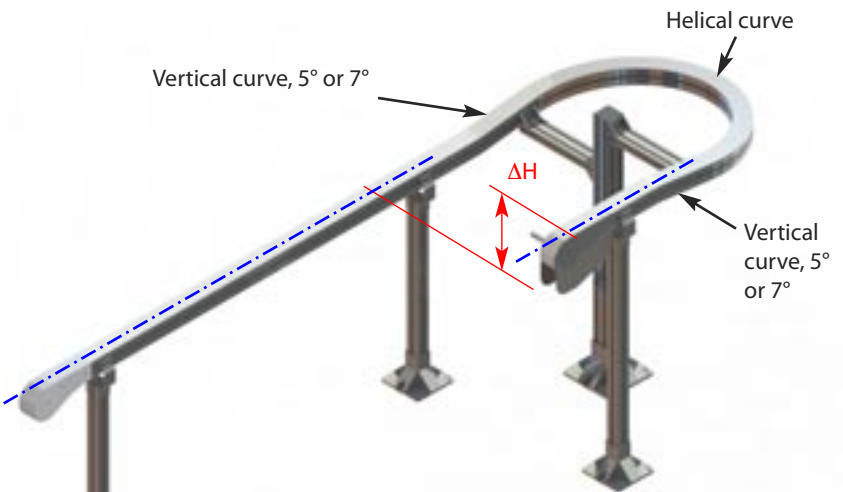
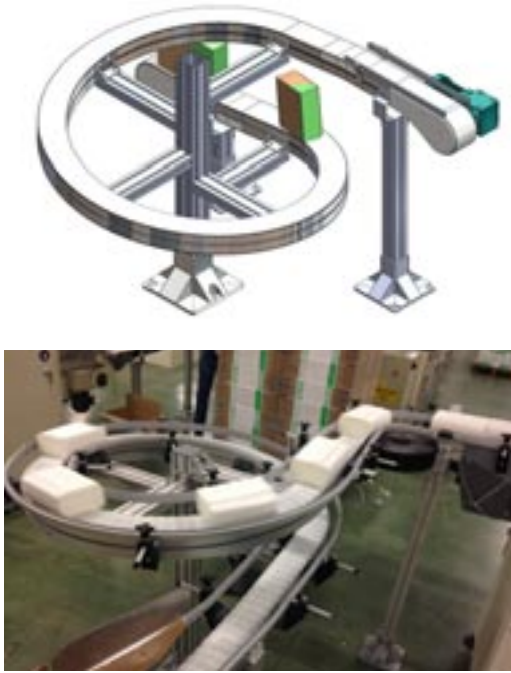


	FK	FS	FM	FC	FL
References of the Modules	FKVAB 5	FSVAB 5	FMVAB 5	FCVAB 5	
Linking fish plates included in each module.	FACS 20x140	FACS 25x140A			

/ FS, FM AND FC CONVEYOR RANGES

HELICAL CURVES OR TWISTED MODULES ON SLIP RAILS

Helical curves allow space saving along with a change of direction and level. They are produced by bending, usually at a radius 500 mm. The usual angle is 90°, 180°, or even 360°. At the beginning and end of a helical curve, a vertical curve enables connection to horizontal parts. It is also possible to prepare for the beginning and/or the end of a sloping conveyor. Our Design Office is at your disposal to validate your requirement.

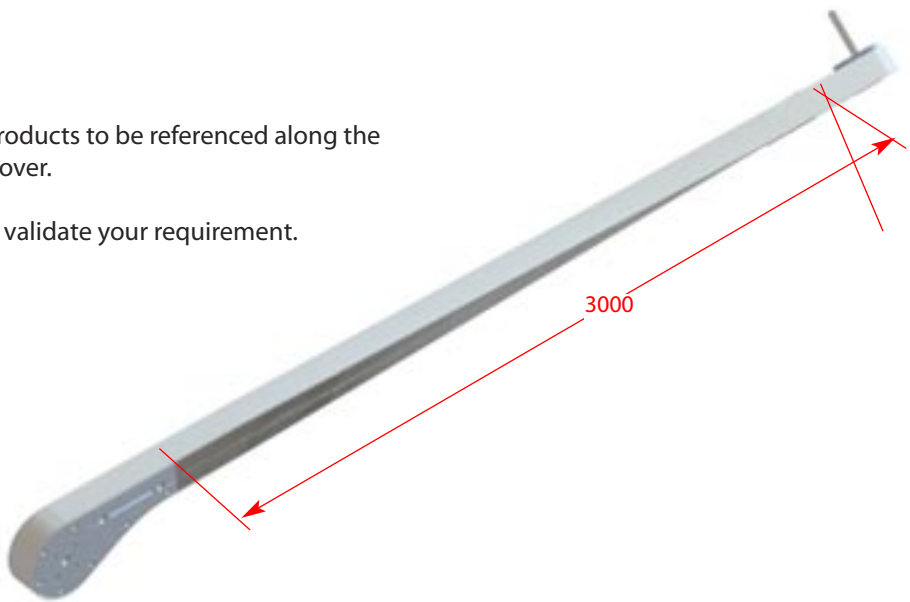


Slope angle	ΔH for curve in Rm 500...		
	at 90°	at 180°	at 360°
5°	100	169	306
7°	142	237	429

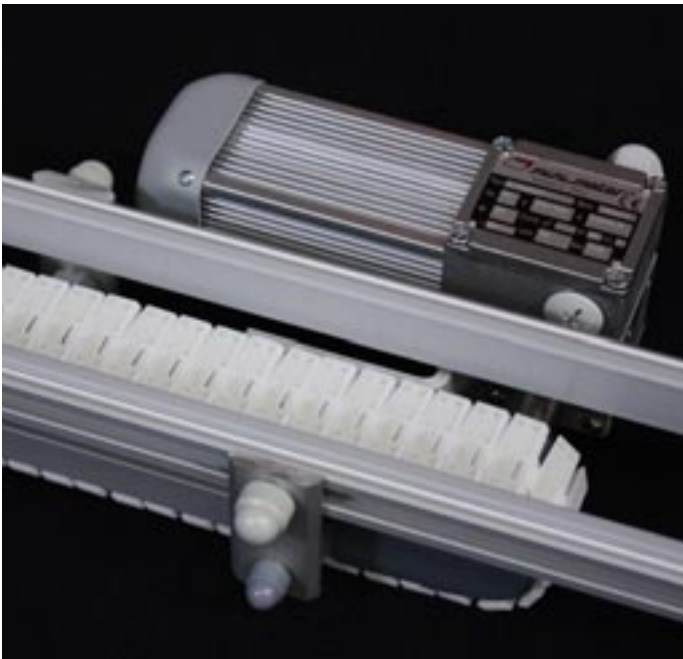


The twisted straight modules enable products to be referenced along the lateral guide, or products to be turned over.

Our Design Office is at your disposal to validate your requirement.



/ F45 CONVEYOR RANGE



/ F45 CONVEYOR RANGE

Acetal chains width 43, pitch 12.7 mm



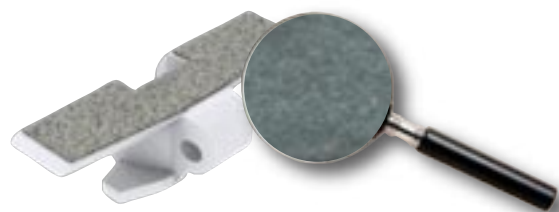
F45PC 3

Natural acetal flat chain



F45FT 3

Chain with translucent insert covering the whole slat



F45FC 3

Flocked chain



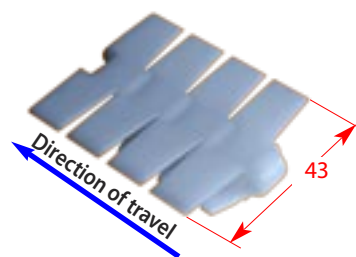
F45WT 3C

Slat chain for wedge conveyors



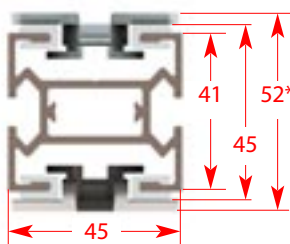
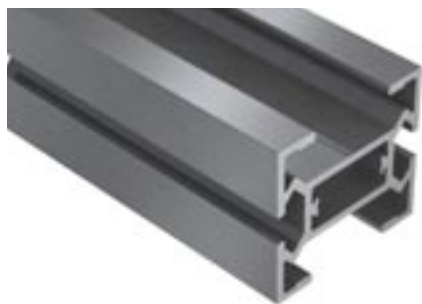
F45CV 3E

V-Form, 140°



Elastic Limit 200 N
 Max speed 20m/min Packaging: Roll of 3 m
 Applications: light products
 Maximum conveyor length: 6 m

F45CB Beam Packaging: 3 m bar; (recuts to order)
 Slip profile: **F45SR 25H** (PEHD+PA6 grey)



* With F45 PC3 chain

Fish plates

	Figure	
lateral	1	FACS 11x100
central	2	FACS 50

①

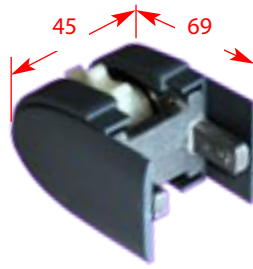


②



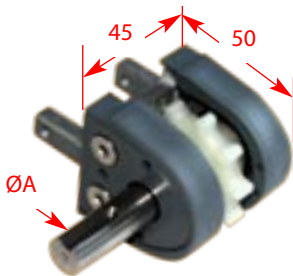
/ F45 CONVEYOR RANGE

Idler module F45IE 50
10-tooth sprocket



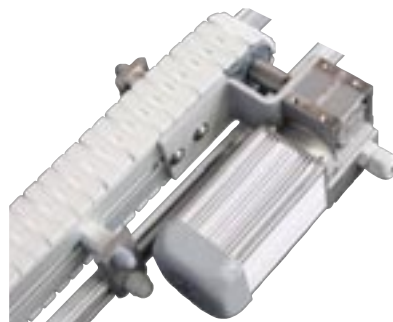
Drive modules

(usable with the shaft protruding on the right or the left)
10-tooth gear
Motors to order, max. speed 20m/min



ØA	Reference
9	F45DD 9
12	F45DD 12

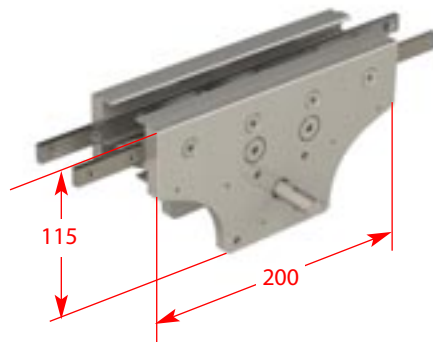
Standard fitting



Fitting with brushless motor



Intermediate drive module F45ID



Intervention module:



F45 CC 65

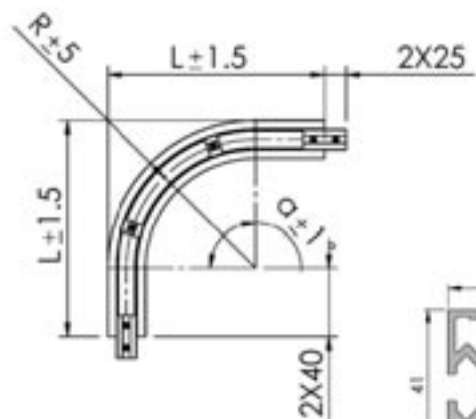
F45 CC 65-2

F45 CC 65-3

/ F45 CONVEYOR RANGE

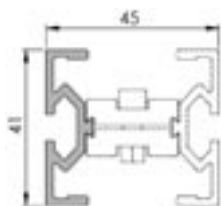
F45HB horizontal curves on slip rails

Mean radius 150 or 300 mm, Straight portions of 40 mm, fish plates included



angle α	R = 150 mm	R = 300 mm
30°	F45HB 30R150	F45HB 30R300
45°	F45HB 45R150	F45HB 45R300
90°	F45HB 90R150	F45HB 90R300
180°	F45HB 180R150	F45HB 180R300

Other radii on request



F45VB vertical curves on slip rails

Mean radius 400 mm, straight portions of 40 mm, fish plates included



angle α	R = 300 mm	R = 400 mm
5°	F45VB 5R300	F45VB 5R400
7°	F45VB 7R300	F45VB 7R400
15°	F45VB 15R300	F45VB 15R400
90°	F45VB 90R300	F45VB 90R400


Other radii on request



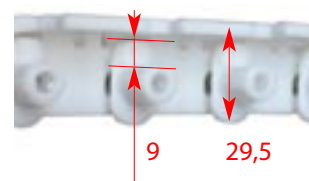
/ CM acetal CHAINS width 83, 33.5 mm pitch

Elastic limit (except with plastic pins) 1250 N ; **not compatible with ranges FM and SM**

design



CMPC Flat chains :	
CMPC 5	Natural acetal flat chain
CMPC 5P	Idem with plastic pins: elastic limit 250N
CMPC 5WR	Wear-resistant chain



CMFT chains with grip insert on each link :



CMFT 5F
Chain with translucent insert covering the whole slat



CMFT 5
Flat acetal chain + anti-slip insert on each link



CMFT 5C



CMFC 5
Flocked chain



CMST 5
Flat acetal chain, steel plated



CMUC 5
Universal chain




CMPC 5R700
Flat chain, radius ≥ 700 mm




CMPC 5 R500
Flat chain, radius ≥ 500 mm


CMWT chains for wedge conveyors:




CMWT 5DC
Flexible slat insert



CMWT 5C
Chain with tubular insert

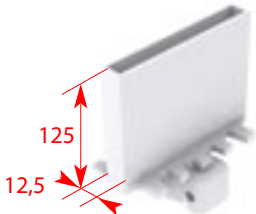


CMWT 5A
"Brush" insert for light loads (<1kg)

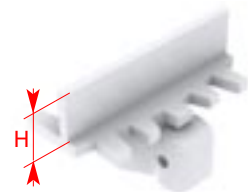


CMCV 5B
V-chain

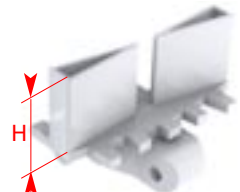
CMCT chains with cleats (at ...L pitch) :




CMCT 5 D125L
Thick lug chain



	H =
CMCT 5F15L	15
CMCT 5F120L	20
CMCT 5F30L	30



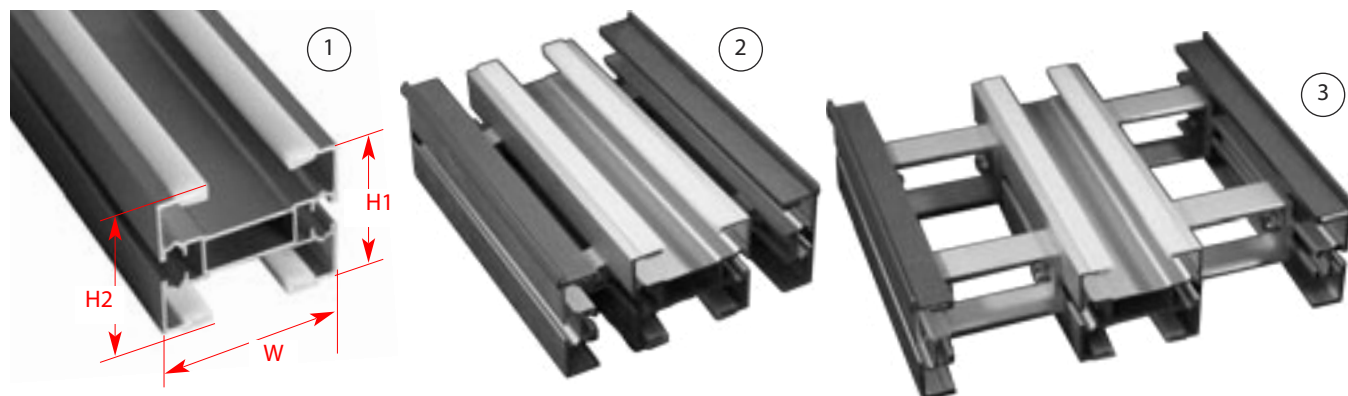
	H =
CMCT 5A9 L	9
CMCT 5A12 L	12
CMCT 5A15 L	15
CMCT 5A17 L	17
CMCT 5A30 L	30



CMRB 5C
Sloping reliefs

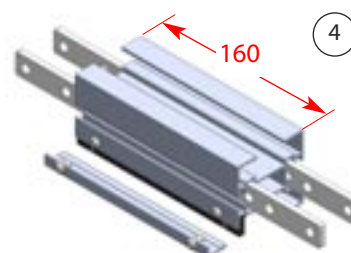
/CM, FB175, FB295 STRAIGHT MODULES

Note: not compatible with the FM and SM ranges



	CM	FB 175	FB 295
Width of the conveyor / W profile section	85	182	300
Reference	CMCB 3	FB175 CB3	FB295 CB3
	Fig. 1	Fig. 2	Fig. 3
Height H1 aluminium profile only	74		
H2	79		
Standard lengths	3 meters, smaller lengths cut to size on request		
Intervention module	CMCC-160	FB175 CC300	FB295 CC300
	Fig. 4		

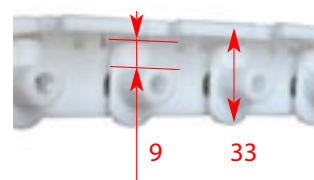
/ INTERVENTION MODULES CM, FB175, FB295



/ FB CHAINS

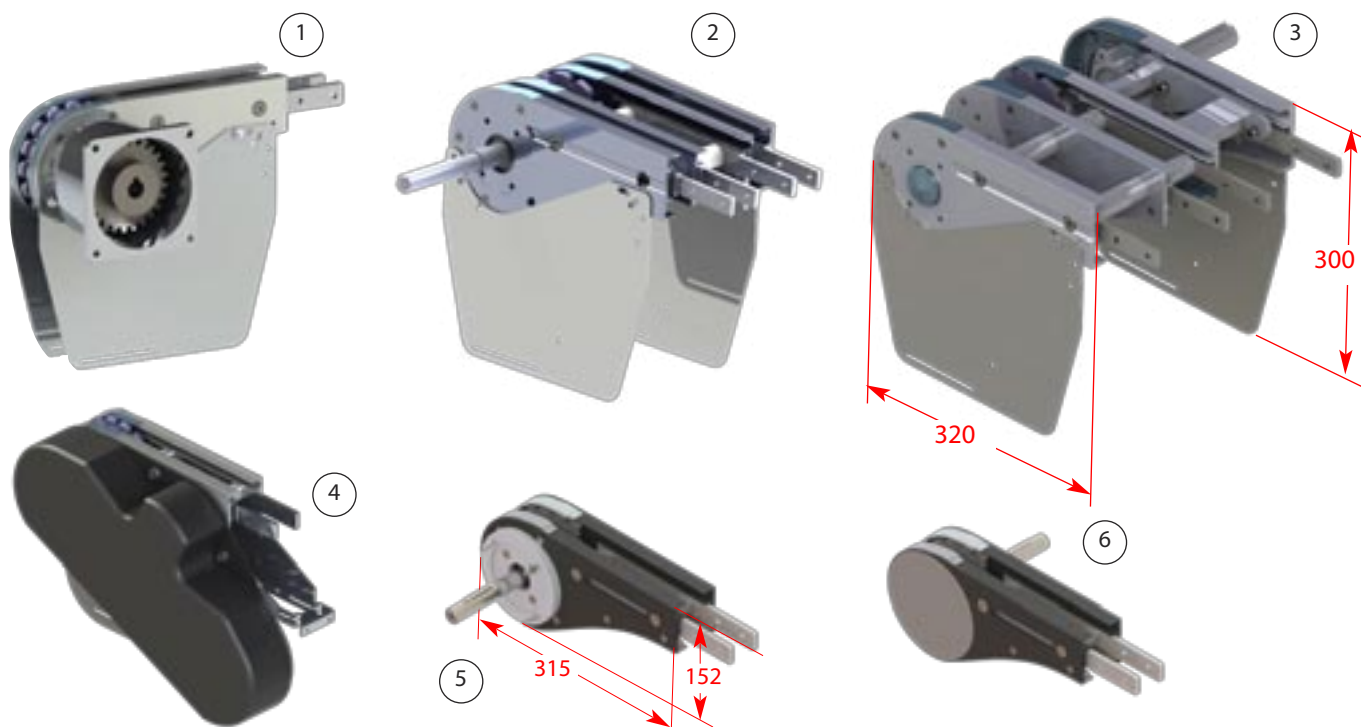
Pitch of 33,5 mm, elastic limit 1250N

	FB 175	FB 295
Chain width	175	295
Natural acetal flat chain	FB175 PC 3A	FB295 PC 3A
Idem mit anti-slip insert on each link	FB175 FT 3A	FB295 FT 3A
Antistatic chain	FB175 CD 3A	



/ DRIVE MODULES CM, FB175, FB295

Note: not compatible with the FM and SM ranges



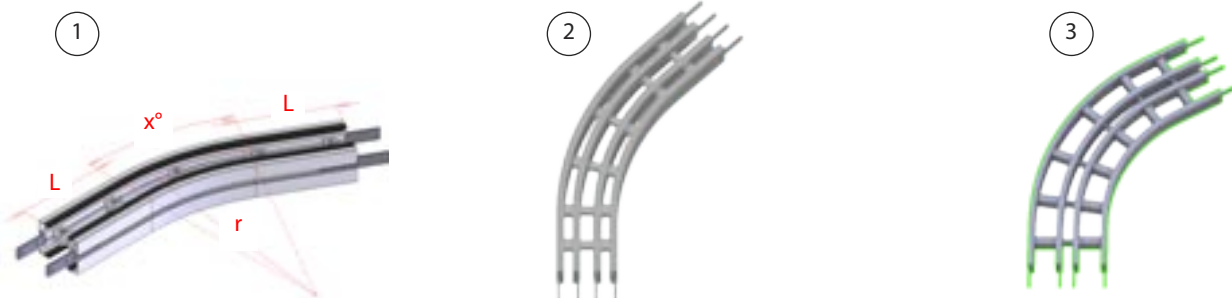
		CM	FB 175	FB 295
Direct drive modules with torque limiter:				
geared motor on the left	Fig. 1	CMDD TL 0L		
geared motor on the right		CMDD TL 0R		
Direct drive modules without torque limiter:				
geared motor on the left	Fig. 2		FB175 DD 0L	FB295 DD 0L
geared motor on the right	Fig. 3		FB175 DD 0R	FB295 DD 0R
Drive modules with transmission and torque limiter:				
geared motor on the left	Fig. 4	CMSD 0L		
geared motor on the right		CMSD 0R		
Drive modules without torque limiter for wedge conveyor :				
geared motor on the left	Fig. 5	CMDD GP 0L		
geared motor on the right	Fig. 6	CMDD GP 0R		

/ IDLER MODULES CM, FB175, FB295



/ CURVES ON SLIP RAILS:

Note: not compatible with the FM and SM ranges



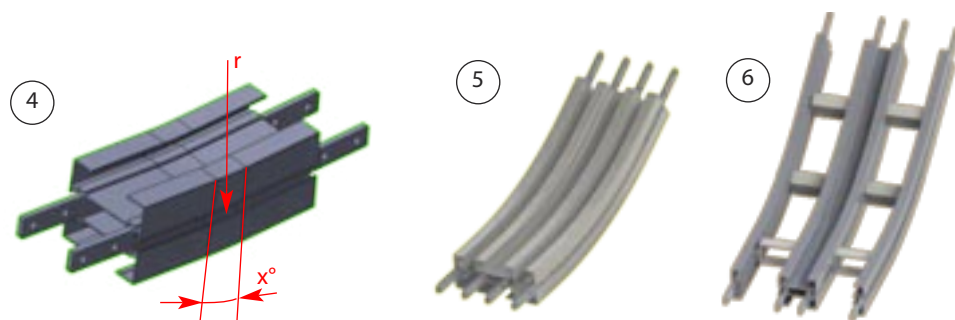
	CM	FB175 VB	FB295 VB
Angle x°		30°, 45°, 60°, 90°	
Radius y mm	300-500-700-1000 ¹	500-700-1000 ²	700-1000 ³
References of the modules (angle x° Radius y mm)	CMHB x R y	FB 175 HB x R y	FB 295 HB x R y
Example of a reference (Angle 90° Radius 700 mm)	CMHB 90 R 700	FB 175 HB 90 R 700	FB 295 HB 90 R 700
Standard lengths of the straight portions L	200		
Linking fish plates included in each module.	FACS 20x160		

/ CURVES WITH WHEELS: CM

	CMWB
Mean radius r	160
Angle x°	
30°	CMWB 30R160A
45°	CMWB 45R160A
90°	CMWB 90R160A
180°	CMWB 180R160A
(x°) on request	CMWB x R160A
L	80



/ VERTICAL CURVES ON SLIP RAILS CM, FB175, FB295



	Series	CM ⁴	FB175 VB ⁵	FB295 VB ⁶
Angle x°		5°, 7°, 15°, 30°, 45°, 60°, 90°		
Radius y mm		400	750	
References of the modules (angle x° Radius y mm)		CMVB x R y	FB175 VB x R y	FB295 VB x R y
Standard lengths of the straight portions L		80		
Linking fish plates included in each module.		FACS 20x160		



/ PRESENTATION, END MODULES

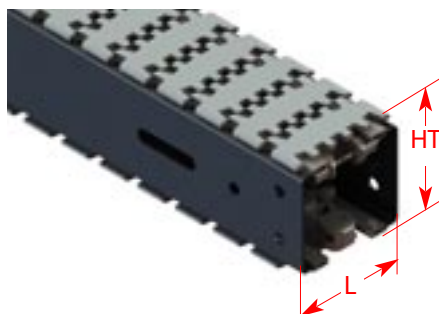


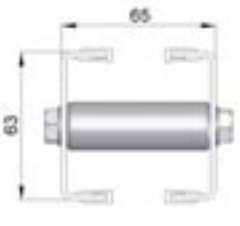
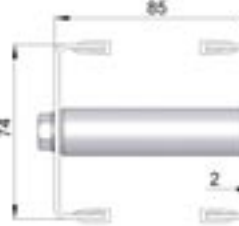
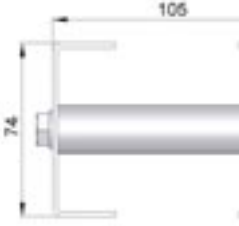
These conveyors are made with a stainless steel structure,
They accept Flex chains of series: FS-FM-CF.
The sides are assembled by spacers with a pitch ≤ 500 mm fixed in
slotted holes.
They also allow for the mounting of accessories: guide brackets and
legs.

		SS	SM	SC
Width		65	85	105
Chains		FS series	FM series	FC series
Chain pitch		25.4	33.5	35.5
Slip profile		FASR 25...		
Rivets		FASLS M5		
Modules	Item	references		
Drive module, shaft on the left		SSDD 0L	SMDD 0L	SCDD 0L
Drive module, shaft on the right	1	SSDD 0R	SMDD 0R	SCDD 0R
Drive module, shaft on the left without slack strand	2	SSDD GP 0L	SMDD GP 0L	SCDD GP 0L
Drive module, shaft on the right without slack strand	3	SSDD GP 0R	SMDD GP 0R	SCDD GP 0R
Direct intermediate drive, shaft on the left		SSID DD 0L	SMID DD 0L	SCID DD 0L
Direct intermediate drive, shaft on the right		SSID DD 0R	SMID DD 0R	SCID DD 0R
Idler module	4	SSIE 320	SMIE 320	SCIE 325
Roller transfer kit		SSTB 65	SMTB 85	SCTB 105
Plate transfer kit		SSTB 65P	SMTB 85P	SCTB 105P

/ STRAIGHT MODULES, FISH PLATING

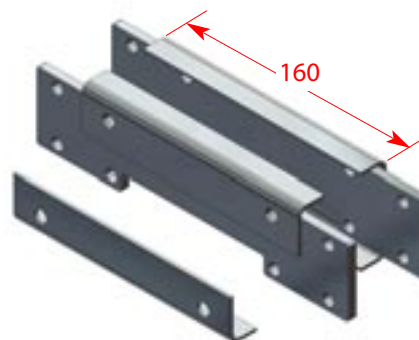
Straight beams
Production on request, up to 2 m long



	SS	SM	SC
Beam	SSCB	SMCB	SCCB
Width L	65	85	105
Beam height H	63	74	74
Height HT chain included	73	84	85
			

/ INTERVENTION MODULES

This module facilitates eases the connection of the chain.



	SS	SM	SC
Intervention module	SSCC 160	SMCC 160	SCCC 160

SACS 50x75 fish plates
for Flexinox
(2pcs necessary for one fish plating)



/ CURVES WITH WHEELS

Curves with wheels:

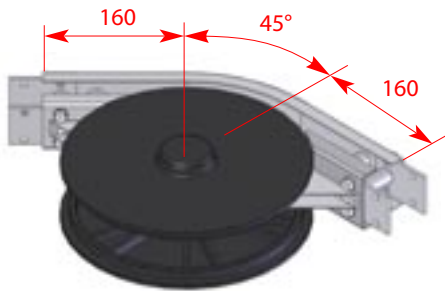
These modules provide friction-free chain guiding. The wheels are made from fibre glass reinforced nylon and are held by double sealed ball bearings ensuring durability and minimum friction.

Average curve radius: see table below. Straight parts 160 mm
Linking fish plates SACS-50x75 are delivered with each module.

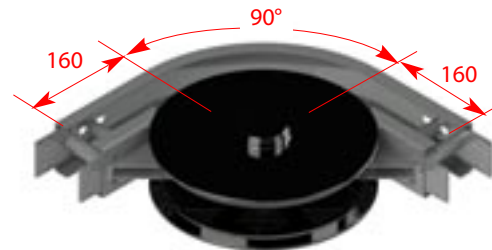
Creation of any curve with wheel from 5 to 180° to order, tolerance on the angle $\pm 1^\circ$

	SS	SM	SC
R mean radius	150	160	170
Angle	Reference	Reference	Reference
30°	SSWB 30 R 150	SMWB 30 R 160	SCWB 30 R 170
45°	SSWB 45 R 150	SMWB 45 R 160	SCWB 45 R 170
60°	SSWB 60 R 150	SMWB 60 R 160	SCWB 60 R 170
90°	SSWB 90 R 150	SMWB 90 R 160	SCWB 90 R 170
180°	SSWB 180 R 150	SMWB 180 R 160	SCWB 180 R 170

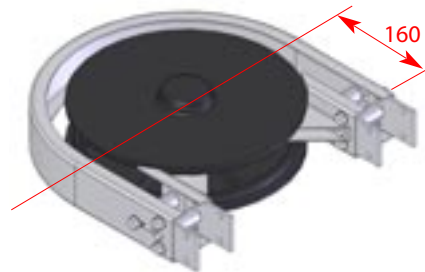
Curve with wheels, 45° S...WB-45R...



Curve with wheels, 90° S...WB-90R...



Curve with wheels, 180° S...WB-180R



/ VERTICAL CURVES ON SLIP RAILS

Vertical curves enable a change in slope of the conveyors.

As all the curves on slip rails, they generate additional friction.

These stainless steel curves accept the slip profiles in continuity of the upstream and downstream modules.



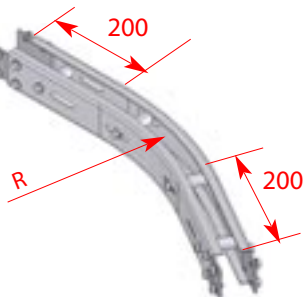
	SS	SM	SC
Angle	Reference	Reference	Reference
5°	SSVB 5R300	SMVB 5R400	SCVB 5R400
10°	SSVB 10R300	SMVB 10R400	SCVB 10R400
15°	SSVB 15R300	SMVB 15R400	SCVB 15R400
30°	SSVB 30R300	SMVB 30R400	SCVB 30R400

/ HORIZONTAL CURVES ON SLIP RAILS

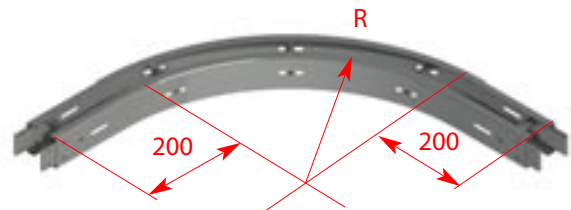
These modules are made by bending of 2 stainless steel half-profile sections with spacers. They allow reduced volume thanks to the absence of rotating plates, but create additional friction. We recommend a verification of the tensile forces applied to the chain (our Design Office is at your disposal). Standard mean radii of the curve: 500 and 700 mm (and 300mm for SM series). Straight parts 200 mm. Linking fish plates included in each module. Tolerance +/- 10 mm for the radius and +/- 1° for the angle. Other angles and other radii can be produced to order.

	SS	SM	SC
Angle	Mean radius R 300 mm		
7,5°		SMHB 7,5 R 300	
15°		SMHB 15 R 300	
30°		SMHB 30 R 300	
45°		SMHB 45 R 300	
60°		SMHB 60 R 300	
90°		SMHB 90 R 300	
	Mean radius R 500 mm		
7,5°	SSHB 7,5 R 500	SMHB 7,5 R 500	SCHB 7,5 R 500
15°	SSHB 15 R 500	SMHB 15 R 500	SCHB 15 R 500
30°	SSHB 30 R 500	SMHB 30 R 500	SCHB 30 R 500
45°	SSHB 45 R 500	SMHB 45 R 500	SCHB 45 R 500
60°	SSHB 60 R 500	SMHB 60 R 500	SCHB 60 R 500
90°	SSHB 90 R 500	SMHB 90 R 500	SCHB 90 R 500
	Mean radius R 700 mm		
7,5°	SSHB 7,5 R 700	SMHB 7,5 R 700	SCHB 7,5 R 700
15°	SSHB 15 R 700	SMHB 15 R 700	SCHB 15 R 700
30°	SSHB 30 R 700	SMHB 30 R 700	SCHB 30 R 700
45°	SSHB 45 R 700	SMHB 45 R 700	SCHB 45 R 700
60°	SSHB 60 R 700	SMHB 60 R 700	SCHB 60 R 700
90°	SSHB 90 R 700	SMHB 90 R 700	SCHB 90 R 700

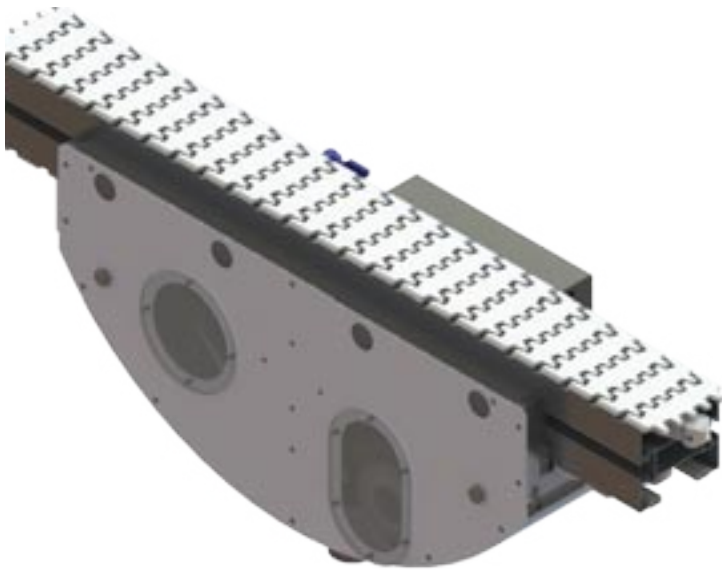
Curve on slip rails, 30° S...HB-30R...



Curve on slip rails, 90° S...HB-90R...



/ DRY CLEANING MODULE FOR FLEX CONVEYORS

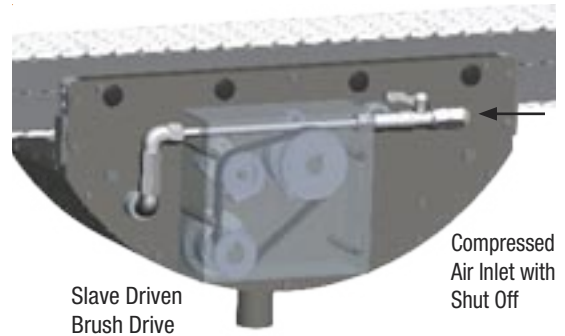


The dry cleaning module ensures continuous cleaning of the transport chain for dry applications with powder, dust or other dry contaminants. The driven rotating brush cleans the surface of the chain, compressed air evacuates particles and sucks in dust. Designed to operate continuously on the production line. Enables longer and cleaner production cycles without general maintenance. Clean design with minimal area for dirt and debris accumulation. Fully built-in components with cover designed for the safety of workers. No electrical components, programming or secondary motor required, fully mechanical.

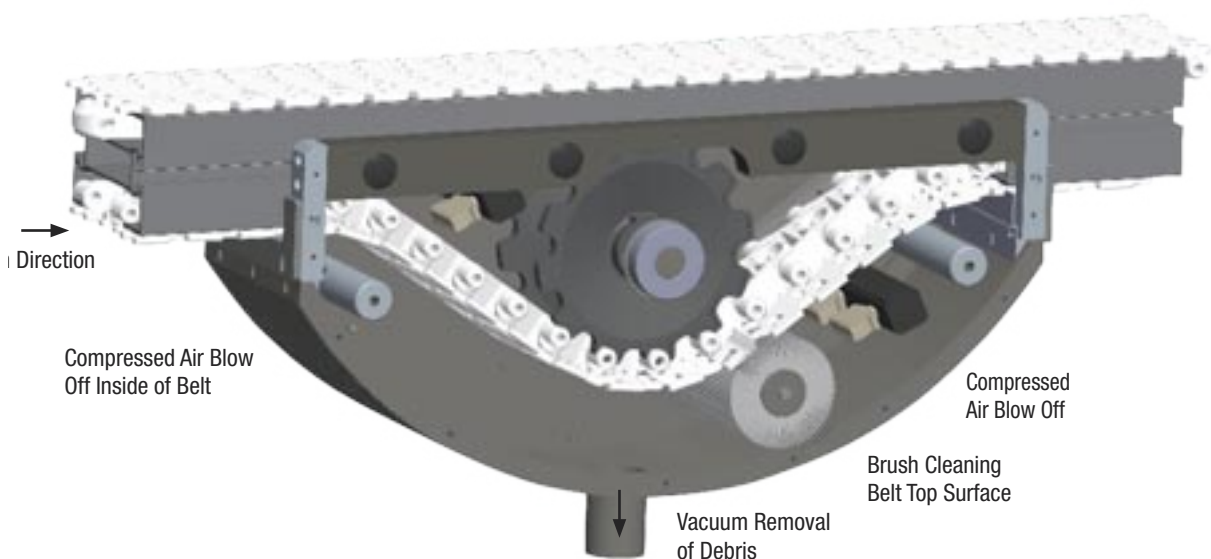
Characteristics :

- Compatible with Flex conveyors
- Required size: 700 mm (W) x 300 mm (H)
- Minimum height at the top of the chain: 250 mm
- Maximum conveyor length: 4.5 m
- Maximum conveyor speed: 50 m/min

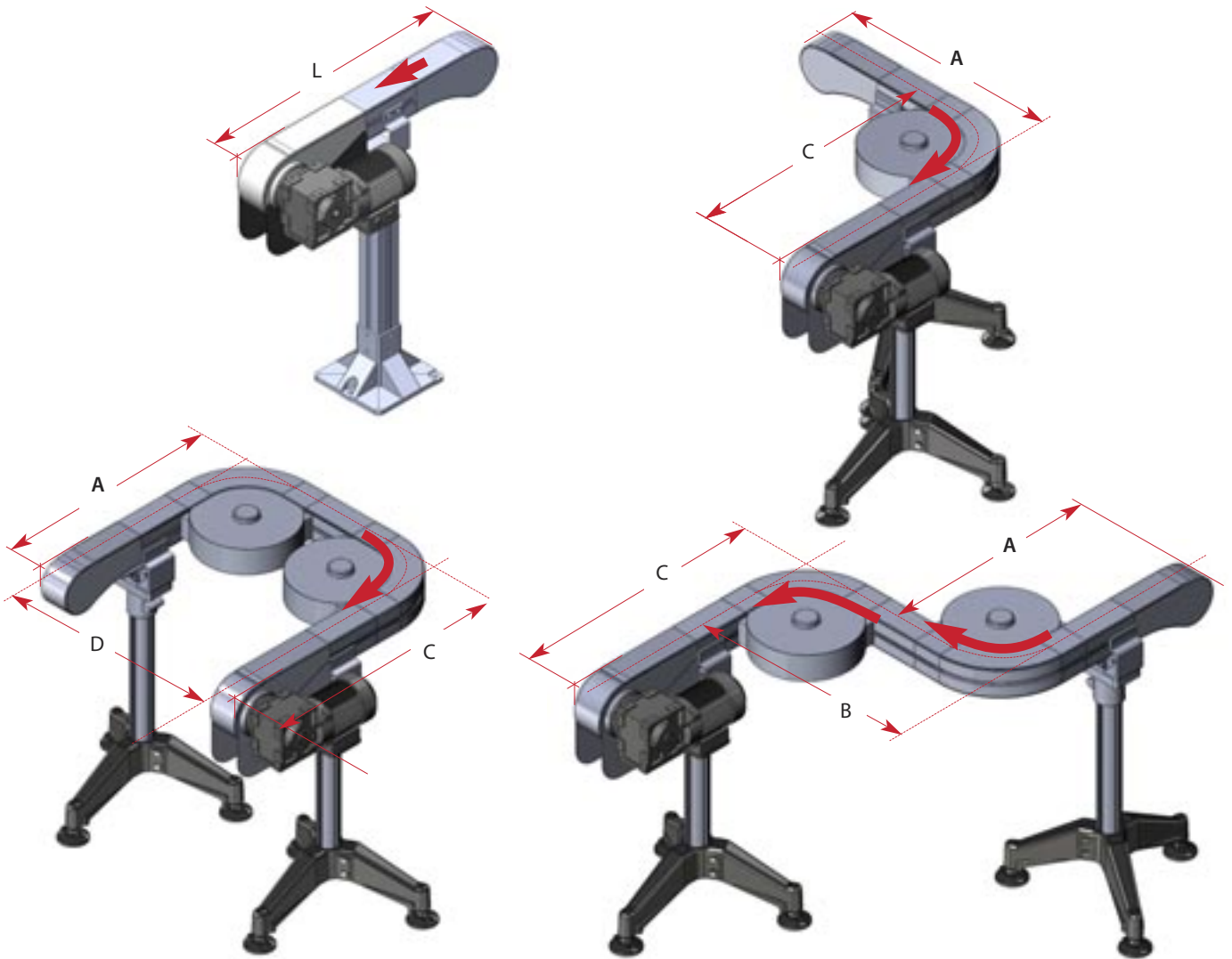
For conveyors	Reference
FS	CCD FS
FM	CCD FM
FC	CCD FC
SS	CCD SS
SM	CCD SM



Operation :



/ STRAIGHT OR CURVED FLEX CONVEYORS, 90°: MINIMUM DIMENSIONS



	Chain width	Conveyor width	Mean radius of curves	L	A min	B min	C min	D min (5)	D (6)
F45	43	45	150	140	235	380	235	380	300
FK	44			610 (1)(2)	590 (2)	460	710 / 640 (1)		
FS	63	65	160	800	790	620	790	640	320
SS				800	800	640	800		
FM	83	85	170	740	560 (3)	480	720	660	340
SM				800	800	640	800		
CM	103	105	210	775	640	500	640	1020	420
FC				800	690 (4)	660	730		
SC	800	810	810	810	810	810	810		
FL	150	155	500	810	835	1020	835	1020	420
FB 175	175	182	700	775	900	1160	900	1160	1000
FB 295	295	300	1100		1560	1100	1560	1400	

Intervention modules, if any, can be added to the dimensions above:
 Dimensions calculated with minimum size idler modules and curves with wheels.
 Please consult our Design Office to validate these installations according to the application.

- (1) with drive module, length 250 mm.
- (2) with idler module, length 200 mm
- (3) with special fish plating
- (4) with idler module, length 280 mm
- (5) with 2 curves of 90°, without chutes. (The chutes require longer straight sections)
- (6) with a single curve of 180°

/ SLIP PROFILES

Material	F45	FK	FS, FM, FC, FL	CM FB 175 FB 295	Figure	Maximum temperature of the profile section	Applications	Packaging
White HDPE		FASR 25K	FASR 25U	CMSR 25	1	60° C	Standard	roll of 25 m
				CMSR 25B	2		load++	
				CMSR 3	3		Integral guide	3m bar
Super low friction UHMW PE			FASR 25BE		1	100° C	load++	roll of 25 m
PA6 + grey HDPE	F45SR 25H	FASR 25KH	FASR 25H	CMSR 25H				
Black anti-static UHMW PE		FASR 25KA	FASR 25CD	CMSR 25CD				
White PVDF		FASR 25KP	FASR 25P	CMSR 25P				
PTFE (Teflon®)			FASR 1.2 T					
							220° C	



Installation recommendations for slip profile:

(See fitting instructions and sketches below).

- Provide 1 or 2 rivets or 1 or 2 plastic screws at the same slip band leading end.
- Do not exceed a unit length of the profile of 3m and allow sufficient clearance for expansion: 0.2mm/m/°)



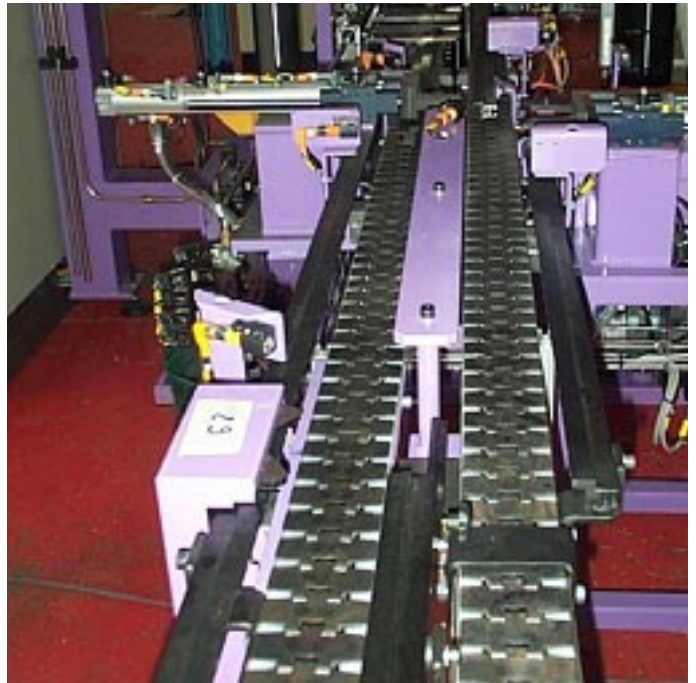
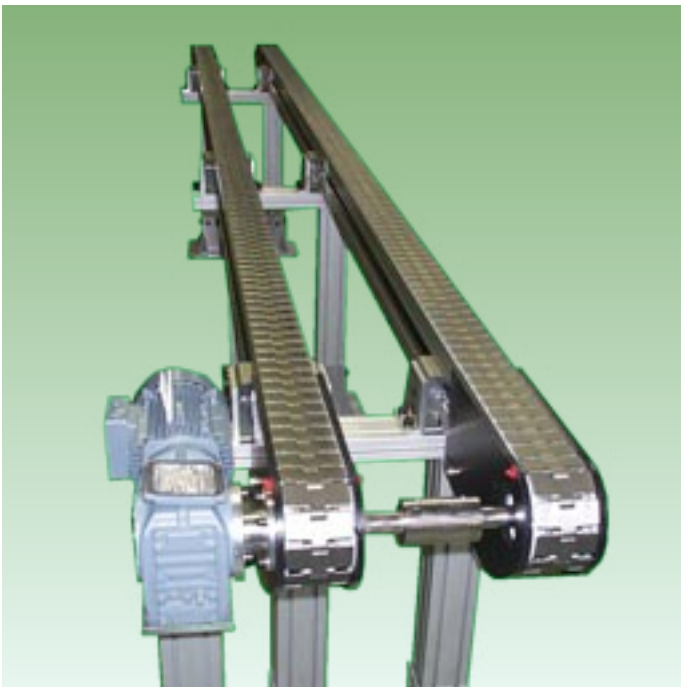
PCPE

Cutting pliers for PE profiles with maximum section of 30x10 or 20x12



/ FIXING TOOLS AND FOR CHAIN PINS

Conveyors	Installation tool for slip rail profile	Drilling Templates	Aluminium rivets Smooth bore	Fitting pliers	Installation screw press for smooth rivets	Plastic grub screw, length 6mm	Tool to insert chain pins
F45		GAB F45	RIVET ALU 3X6.5 Ø3 L6,5		PRESSE D3 F45		
FK	FSMR 140	GAB FK		SERT D3	PRESSE D3	PAST M4x6	FSMJ 4
FS, SS		GAB FM	RIVET ALU 4X6.5 Ø4 L6,5	SERT D4 FS	PRESSE D4	PAST M5x6	
FM, SM	FMMR 140			SERT D4			FMMJ 6
FC, FL, SC	FCMR 200						FCMJ 6
CM, FB175, FB295	FBMR 170		RIVET ALU 4X8			PAST M5x8	FBMJ 6P



ROBUR®

straight and curved chain conveyors (heavy loads)



/ PLASTIC CHAINS, PITCH 38.1 MM



Standard curved chain 880 TAB, minimum radius 400 mm

Thicknesses: slat 4 mm, inserts +2 mm

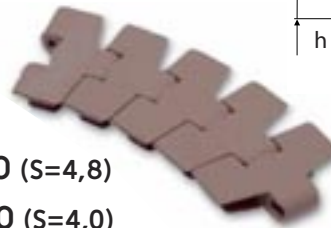
Robur ...	Codes / Width L (mm)	D Acetal grey	LFA Acetal, light brown, lubricated	SLF Acetal, dark grey, super lubricated	AK Anti-wear acetal	WRX Anti-wear polyamide	AS Antistatic acetal	PP white reinforced polypro	PBT polyester low friction
1	K 250 / 63,5	x	✓ 0,80 kg/m			x	x	x	x
2 / 2TB	K 325 / 82,5	✓ 0,94 kg/m			✓ 0,74 kg/m				✓ 0,94 kg/m
3 / 3TB	K 450 / 114,3	✓ 1,08 kg/m			✓ 0,88 kg/m				✓ 1,08 kg/m
4	K 750 / 190,5	✓ 1,48 kg/m			✓ 1,28 kg/m				✓ 1,48 kg/m
Elastic limit (21°C)		2 100N						1 900 N	2 100N

Curved chain, minimum radius 190/200 mm

Necessary for modules with curves of 200 mm

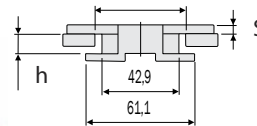


878 BO (S=4,8)



879 BO (S=4,8)

880 BO (S=4,0)



879 SF (S=5,0)

Robur ...	Codes / Width L (mm)	LFA 878 BO Acetal, light brown, lubricated	SLF 878 BO Acetal, dark grey, super lubricated	LFA 879 BO Acetal, light brown, lubricated	LFA 880 BO Acetal, light brown, lubricated	D 879 natural acetal
1	K 250 / 63,5	x	x	x	✓ 0,88 kg/m	x
2 / 2TB	K 325 / 82,5	✓ 1,08 kg/m	✓ 1,08 kg/m	✓ 1,08 kg/m	✓ 0,96 kg/m	✓ 1,0 kg/m
3 / 3TB	K 450 / 114,3	✓ 1,20 kg/m	✓ 1,20 kg/m	✓ 1,23 kg/m	✓ 1,04 kg/m	x
curve radii / backflex radii		190 mm / 40 mm				200 mm / 90 mm
Slat thickness S/ height h		4,8 / 11,5	4,8 / 11,5	4,8 / 11,5	4 / 11,5	5 / 11,9
Elastic limit (21°C)		2 100N	2 100N	2 100N	1 680N	2 250 N

Straight chain 820 (only upon request for straight conveyors)

Requires special sprockets and bottom guide profiles. Thicknesses: slat 4 mm; inserts +2 mm

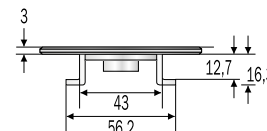


Codes ↓	Width L (mm)	D Acetal grey	LFA Acetal, light brown, lubricated	SLF Acetal, dark grey, super lubricated	AK Anti-wear acetal	WRX Anti-wear polyamide	AS Antistatic acetal	PP white reinforced polypro	PBT polyester low friction
K 250	63,5	✓ 0,73 kg/m			x	x	x	x	x
K 325	82,5	✓ 0,83 kg/m			✓				✓ 0,83kg/m
K 450	114,3	✓ 1,03 kg/m			✓				✓ 1,03kg/m
K 750	190,5	✓ 1,47 kg/m			x	✓ 1,47kg/m	✓	✓ 1,47kg/m	
S / h		4 mm / 9,5 mm							
Elastic limit (21°C)		1 230 N						1 000 N	1 230 N

Other materials upon request (chemical, abrasion or temperature resistant) : see following page
Chains with anti-slip or lug inserts : consult us.

/ METAL CHAINS, PITCH 38.1MM

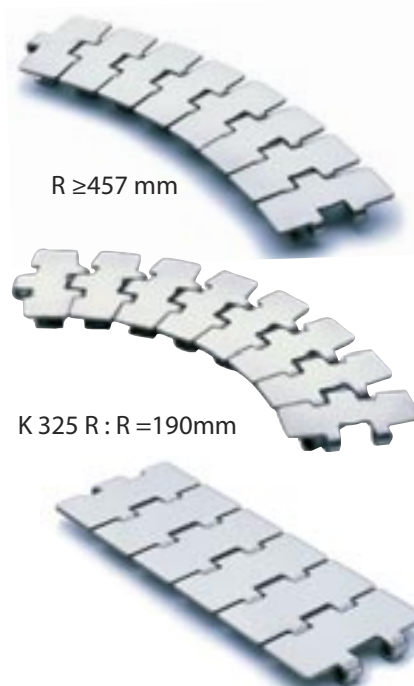
Metal chains require specific sprockets. Drive and idler modules must be adapted in order to use these chains.



Curved chain

Slat thickness 3.15 mm.

Robur ...	Codes / Width L (mm)	R mini	SS 881 TAB stainless steel 430, stainless steel pins 431	SSH 881 TAB hard NiCr stain- less steel, stainless steel pins 431	SSA 881 TAB hard 304 stain- less steel, stainless steel pins 18-8	S 881 TAB carbon steel chain and pins
1	K 250 / 63,5	457	x	x	x	✓ 2,65 kg/m
2 / 2TB	K 325 / 82,5	457	✓ 3,10 kg/m	✓ 2,95 kg/m	✓ 3,10 kg/m	✓ 3,10 kg/m
	K 325R / 82,5	190	x	✓ 3,00 kg/m	✓ 3,00 kg/m	✓ 3,00 kg/m
3 / 3TB	K 450 / 114,3	500	✓ 3,60 kg/m	✓ 3,60 kg/m	✓ 3,80 kg/m	✓ 3,80 kg/m
4	K 750 / 190,5	500	✓ 5,05 kg/m	✓ 5,05 kg/m	✓ 5,50 kg/m	✓ 5,50 kg/m
HRC hardness			20	30	25-26	43
Elastic limit			5 400 N	6000 N	5 500 N	12 000 N



Metal straight chains for Robur

Only available upon request for straight conveyors.

Slat thickness 3.15 mm These chains require specific sprockets.

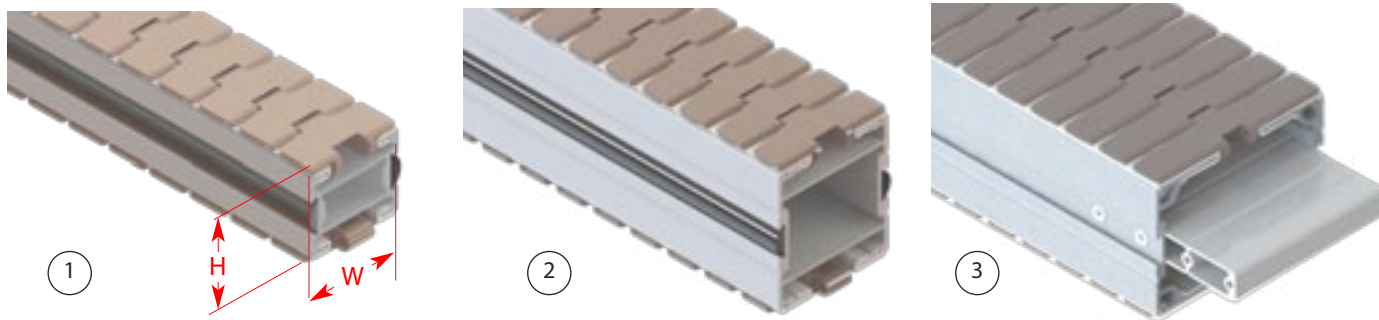
They are fitted with TABs

Robur ...	Codes / Width L (mm)	Mass	SS 812 TAB stainless steel 430, stainless steel pins 431	SSH 812 TAB hard NiCr stain- less steel, stainless steel pins 431	SSA 815 TAB hard 304 stain- less steel, stainless steel pins 18-8	SSAR 815 TAB hard 304 stainless steel, stainless steel pins 18-8	S 815 TAB carbon steel chain and pins
1	K 250 / 63,5	2,25	✓	✓	✓	✓	✓
2 / 2TB	K 325 / 82,5	2,65	✓	✓	✓	✓	✓
3 / 3TB	K 450 / 114,3	3,3	✓	✓	✓	x	✓
4	K 750 / 190,5	5,1	✓	✓	✓	x	✓
HRC hardness			30	30	26	26	43
Elastic limit			5 400 N	6000 N	5 500 N	5 500 N	12 000 N

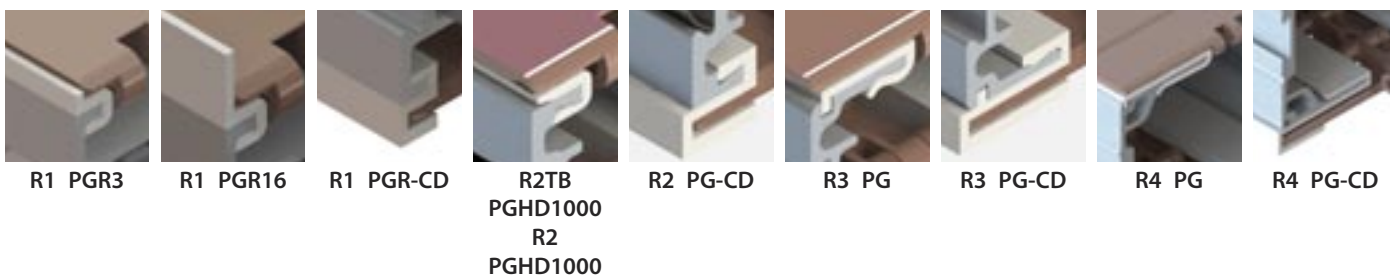
Plastic materials on request (for the chains on the previous page) :			Working temperature	
Code	Materials and characteristics	Applications	Dry	Wet
SLX	Super lubricated polyacetal	PET containers and bottling lines. High speed. Enhanced wear resistance, FDA approved for food contact.	- 40° C / + 80° C	- 40° C / + 65° C
AK	Special material based on aramidic fibers with low friction coefficient	Dry on glass, PET and bottling manufacturing lines.	- 40° C / + 80° C	- 40° C / + 65° C
WRX	Polyamide compound	Abrasive environment: transport of glass containers, mechanical components, sand, etc..	- 20° C / + 120° C	
HT	Polyester reinforced glass fiber , very high resistance to heat and wear.	FDA approved for direct food contact. (for 304/316 stainless steel pins only)	- 40° C / + 140° C	
AS	Black antistatic acetal, high protection against static electric charges	Risks of explosion and may cause product instability under electrostatic force.	- 40° C / + 80° C	- 40° C / + 65° C
PPB	White PP enhanced for acid and corrosion resistance, PPB chain sizes are larger than standard materials.	Especially recommended when a chain is exposed to chemical agents	+ 5° C / + 105° C	+ 5° C / + 105° C
PBT	Very low coefficient of friction and excellent wear resistance, Colors: green, white, black.	High speed and dry	- 40° C / + 125° C	- 40° C / + 60° C
PA66	Blue polyamide	glass-making	-20° C / +85° C	

/ STRAIGHT CONVEYOR MODULES

Robur

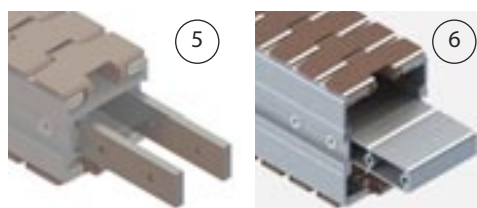


Gamme	Taille Basse			Taille standard			
	R1	R2TB	R3TB	R2	R3	R4	
Conveyor width W	70	86	118	86	118	196	
Figure							
One-piece structure, module reference 3000 mm	1	R1 D3000	R2TB D3000	R3TB D3000			
	2				R2 D3000-MONO	R3 D3000-MONO	x
Open structure, module reference 3000 mm	3				R2 D3000	R3 D3000	R4 D3000
Height H including biflex chain		84			145		
Hauteur H chaine droite incluse		87			148		
Standard lengths	Modules de 200 à 3000 mm						
Upper slide profile Lower slide profile for TAB chain	R1 PGR3 & R1 PGR16	R2TB PGHD1000	R3 PG	R2 PGHD1000	R3 PG	R4 PG	
Bottom profile for plastic straight chain 820	R1 PG-CD	R2 PG-CD	R3 PG-CD	R2 PG-CD	R3 PG-CD	R4 PG-CD	



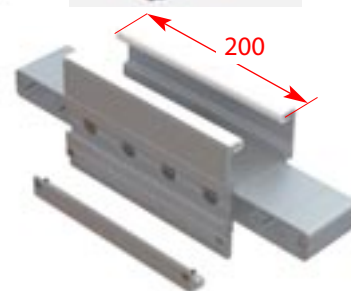
Fishplates :

Each module is supplied with its own connecting splice. If the module is of the one-piece type, two half-slots are used (image 5). If it is of the open type or curved on rails, the slot is one-piece (image 6). The curves with wheels do not require slots.



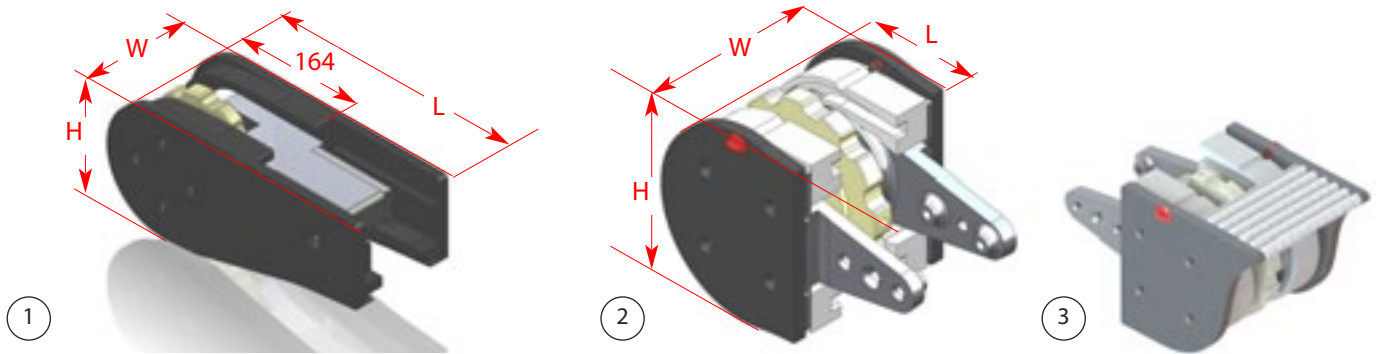
/ INTERVENTION MODULES

They make it easy to remove and refit the chain.



R1	R1	R2TB	R3TB	R2	R3	R4
Module d'intervention simple	R1 CC 200	R2TB CC 200	R3TB CC 200	R2 CC 200	R3 CC 200	R4 CC 200

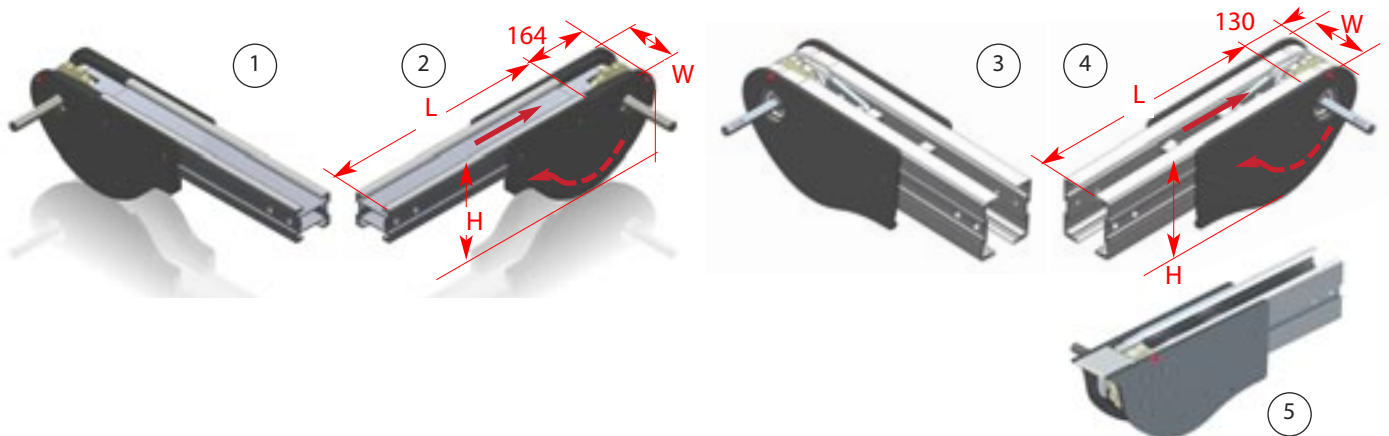
/ IDLER MODULES



		R1	R2TB	R3TB	R2	R3	R4
Idler modules	Figure						
Low Size	1	R1 R	R2TB R	R3TB R			
Standard size	2				R2 R	R3 R	R4 R
same as with optional roller housing	3	✓	✓	✓	✓	✓	✓
L (overall) / R		290			130		
W (overall)		90	106	138	106	138	216
Height H including biflex chain		123			150		

/ DRIVE MODULES

The chain return strand is re-inserted by a shoe system integrated into the black PE side covers, thickness 10 mm. For all these modules, the motors must be ordered separately. On request, other shaft diameters, multi-channel modules.



		R1	R2TB	R3TB	R2	R3	R4
Drive modules	Figure						
Low size, shaft Ø 20 left	1	R1 MG20	R2TB MG20	R3TB MG20			
Low size, shaft Ø 20 right	2	R1 MD20	R2TB MD20	R3TB MD20			
Standard size, shaft Ø 20 left	3				R2 MG20	R3 MG20	R4 MG20
Standard size, shaft Ø 20 right	4				R2 MD20	R3 MD20	R4 MD20
same as with optional roller housing	5	✓	✓	✓	✓	✓	✓
L standard (Lmini)		500 (200)			500 (280)		
W (overall)		90	106	138	106	138	216
Height H including biflex chain		204			212		
Sprockets - biflex plastic chains	6	Z 9			Z 11		
- other chains	7-8	Z 18			Z 21		

The return and drive modules are equipped as standard with sprockets for biflex plastic chain (Fig. 6). As an option, they can be equipped with a sprocket for straight plastic chain (Fig. 7) or for metal chain (Fig. 8)

ELCOM / **FABER** / TRANSEPT

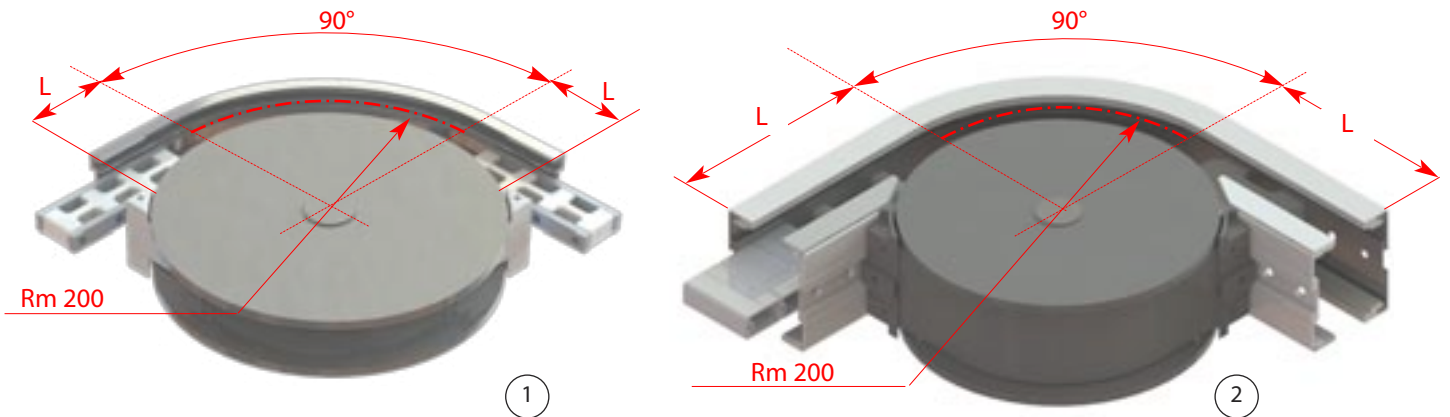


/ WHEEL CURVES

The wheel bend modules allow for less pulling force and more bends per conveyor. The wheel bends do not require additional splice bars. These modules require plastic chains 880 Tab K... R plastic chains (radius 200 mm) with which the entire conveyor must be equipped.

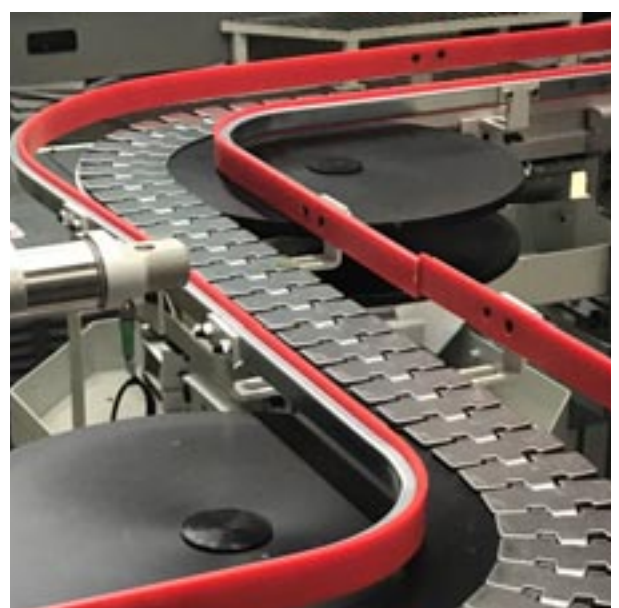
* Metal chains compatible with the 200 mm radius are only available in 82.5 width (for R2TB and R2).

They require an additional support plate for the return strand.



Angle x°	Figure	R1	R2TB	R3TB	R2	R3	R4
45°		R1 C200/45	R2TB C200/45	R3TB C200/45			
90°	1	R1 C200/90	R2TB C200/90	R3TB C200/90			
180°		R1 C200/180	R2TB C200/180	R3TB C200/180			
45°					R2 C200/45	R3 C200/45	x
90°	2				R2 C200/90	R3 C200/90	
180°					R2 C200/180	R3 C200/180	
other angles (a°) on request		R1 C200/a	R2TB C200/a	R3TB C200/a	R2 C200/a	R3 C200/a	
Medium radius		200			200		
Lengths of straight sections L		100		110	250		x
Possibility of metal chain		x	✓ (*)	x	✓ (*)	x	

Two of these modules must be connected to each other by means of a straight module with a length of 200 mm or more



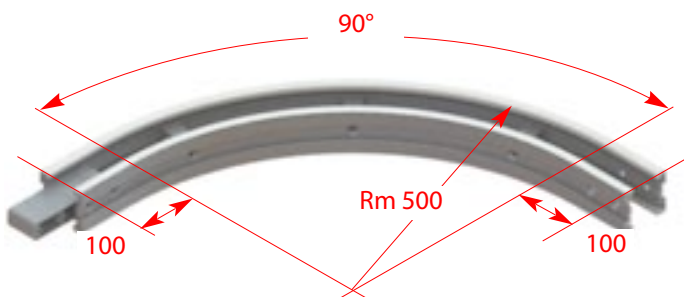
/ COURBES HORIZONTALES SUR GLISSIÈRES

Each module is supplied with a connecting splice.

The black groove cover profile, the required length of slide profile to be clipped on when assembled (R1, R2TB and R2), and the chain must be ordered separately.

Advice for use:

It is generally recommended not to exceed a total of 180° of curves on slides per conveyor (horizontal curves and vertical curves



R1, R2TB and R2: clip-on sliding profiles



R3TB, R3 and R4: machined sliding plates

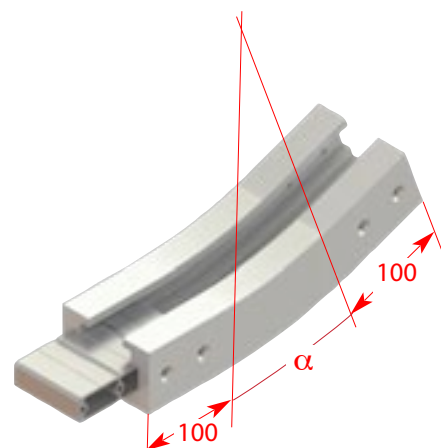
Angle x°	R1	R2TB	R3TB	R2	R3	R4
15°	R1 C500/15	R2TB C500/15	R3TB C500/15	R2 C500/15	R3 C500/15	R4 C500/15
30°	R1 C500/30	R2TB C500/30	R3TB C500/30	R2 C500/30	R3 C500/30	R4 C500/30
45°	R1 C500/45	R2TB C500/45	R3TB C500/45	R2 C500/45	R3 C500/45	R4 C500/45
60°	R1 C500/60	R2TB C500/60	R3TB C500/60	R2 C500/60	R3 C500/60	R4 C500/60
90°	R1 C500/90	R2TB C500/90	R3TB C500/90	R2 C500/90	R3 C500/90	R4 C500/90
135°	R1 C500/135	R2TB C500/135	R3TB C500/135	R2 C500/135	R3 C500/135	R4 C500/135
180°	R1 C500/180	R2TB C500/180	R3TB C500/180	R2 C500/180	R3 C500/180	R4 C500/180
other angles (a°) on request	R1 C500/a	R2TB C500/a	R3TB C500/a	R2 C500/a	R3 C500/a	R4 C500/a
Standard medium radius	500					
Lengths of straight sections L	100					
Possibility of metal chain	✓					

/ VERTICAL CURVES ON SLIP RAILS

Material: black HD PE

Advice for use:

- for angles ≤ 4°, a slanted connection of the modules provides a more economical solution (a specific splice is required)
- above 7°, anti-slip inserts or cleats are generally required to prevent spontaneous slipping of the conveyed products

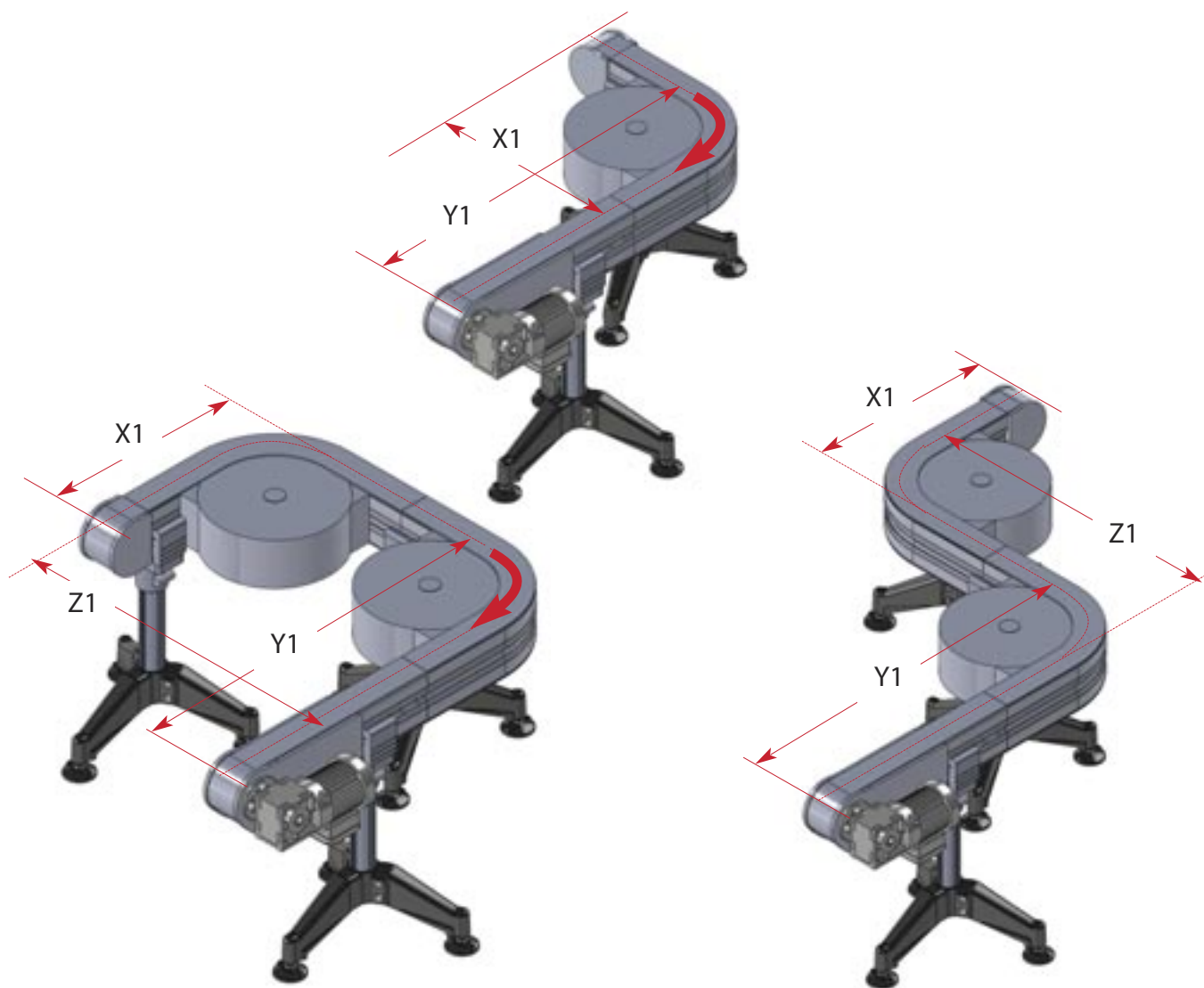


Angle x°	R1	R2TB	R3TB	R2	R3	R4
5°	R1 CV500/5	R2TB CV500/5	R3TB CV500/5	R2 CV500/5	R3 CV500/5	R4 CV500/5
7°	R1 CV500/7	R2TB CV500/7	R3TB CV500/7	R2 CV500/7	R3 CV500/7	R4 CV500/7
other angles (a°) on request	R1 CV500/a	R2TB CV500/a	R3TB CV500/a	R2 CV500/a	R3 CV500/a	R4 CV500/a
Standard medium radius	500					
Lengths of straight sections L	100					
Possibility of metal chain	✓					

/ ROBUR® CONVEYORS

Minimum dimensions with 2 curves of 90° in the same or the opposite direction

Robur



Conveyor	with plastic chain	with metal chain	Chain width	Conveyor width	Mean radius of curves	X1 min	Y1 min	Z1 min
Robur 1	✓	✗	63.5	70	200 min.	664	664	800
Robur 2TB	✓	✓	82.5	86	200 min.	664	680	800
Robur 2	✓	✓			200 min.	580	810	900
Robur 3TB	✓	✗	114.3	118	200 min.	674	710	820
	✗	✓			500 min.	974	1010	1120
Robur 3	✓	✗			200 min.	580	810	900
	✗	✓			500 min.	880	1110	1200
Robur 4	✓	✗	190.5	196	400 min.	630	780	1000
	✗	✓			500 min.	730	880	1200

The dimensions indicated cover standard curved modules with minimum length drive modules. Consult our Design Office to validate your installations.

- h'ecoflex
Curved belt conveyor (light loads)

h'ecoflex



/ PRESENTATION OF THE RANGE

Economic and quiet to transport and accumulate your wide products.

Made to fit your layout requirements, our h'ecoflex® conveyors are mounted and tested in our workshops.

The various accessories (feet, side guides, supports,...) are common to all our ranges.

- Economical curved plastic belt with 25 mm pitch, allowing multi-curve geometries
- Bending radii for compact geometries
- Very quiet operation
- Conveyor designed for quick and easy installation and maintenance
- Compact structure, small winding Ø
- Modularity to ease the evolution of the lines
- Conveyor widths 227 to 822 mm

/ FEATURES:

Conveyor width = belt width + 17mm

Inner radius of curves : 1.4 to 1.8 x belt width

Winding Ø : 100mm

Speed : up to 40m / mn

Length : up to 15m depending on load and conveyor geometry

Tensile force: 1200 N/m width (POM acetal belts, PA shafts)

/ PRESENTATION OF THE RANGE

Material of the mat:

- POM natural or blue
- PP natural or blue

This belt is equipped with outward-facing retaining heels (see sectional view on next page)

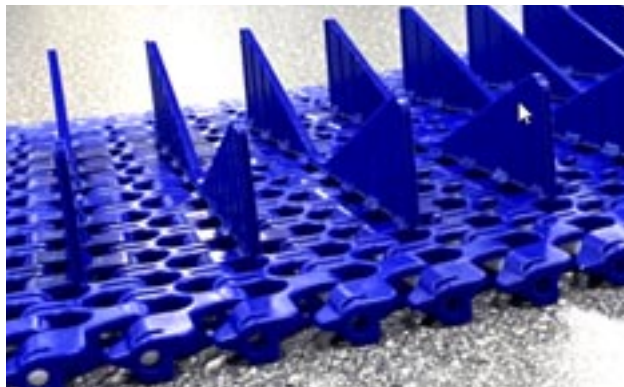


h'ecoflex

/ Optional equipment



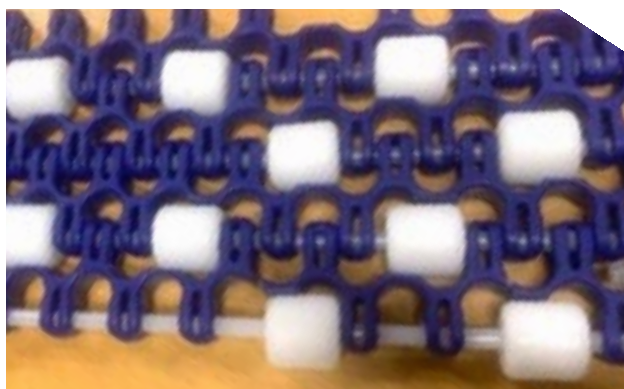
Lugs height 25, 50 or 75 mm



"V" shaped lugs



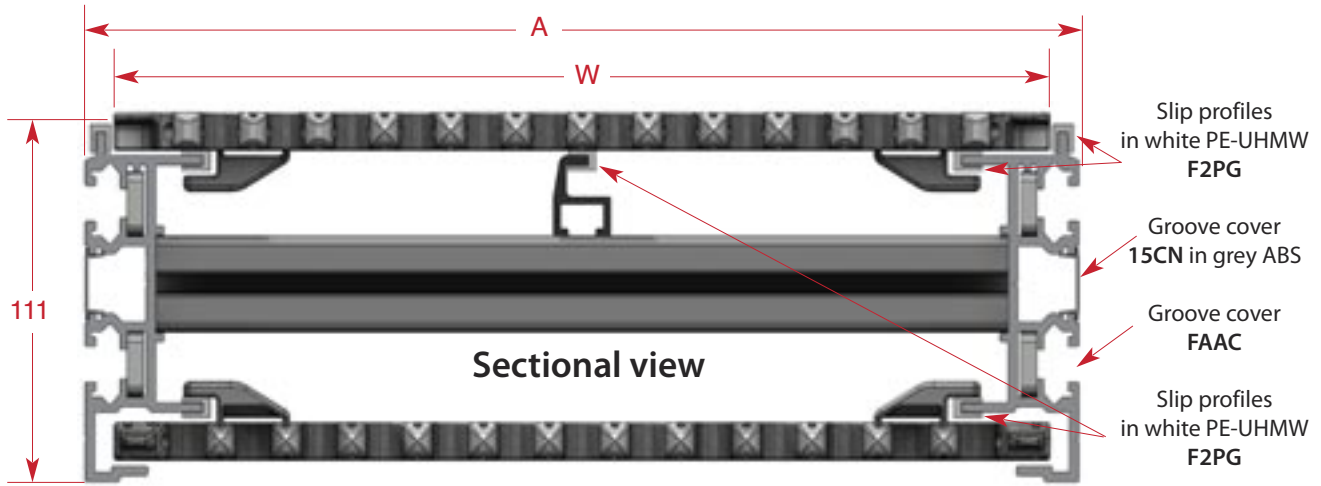
Anti-slips inserts



Loose rollers

/ STRUCTURES & STRAIGHT MODULES

h'ecoflex



	Belt, width W	maximum tensile force*	Conveyor, width A	Number of top support profiles	Number of bottom support profiles	Mean radius R of curves	Number of drive sprockets or idlers
HEF 1	148	1200 N	165	0	0	260	2
HEF 2	210		227	1		405	
HEF 3	292		309			550	
HEF 4	394		411	2		850	3
HEF 5	497		514	3	1	1100	4
HEF 6	600		617	4		1340	5
HEF 7	702		719	5	2	1610	
HEF 8	805		822	6		1870	7
HEF 9	907		924	7	2140		
HEF 10	1011		1028		2420		

Straight modules

HEF x D...

(standard length 3m, others ≥140 mm on request)



Connecting fish plates not included

	Example of reference module length 3m
HEF 1	HEF 1 D3000
HEF 2	HEF 2 D3000
HEF 3	HEF 3 D3000
HEF 4	HEF 4 D3000
HEF 5	HEF 5 D3000
HEF 6	HEF 6 D30000
HEF 7	HEF 7 D3000
HEF 8	HEF 8 D3000
HEF 9	HEF 9 D3000
HEF 10	HEF 10 D3000

Intervention modules

HEF x CC...

They make it easy to remove and refit the belt.

Length 140 mm

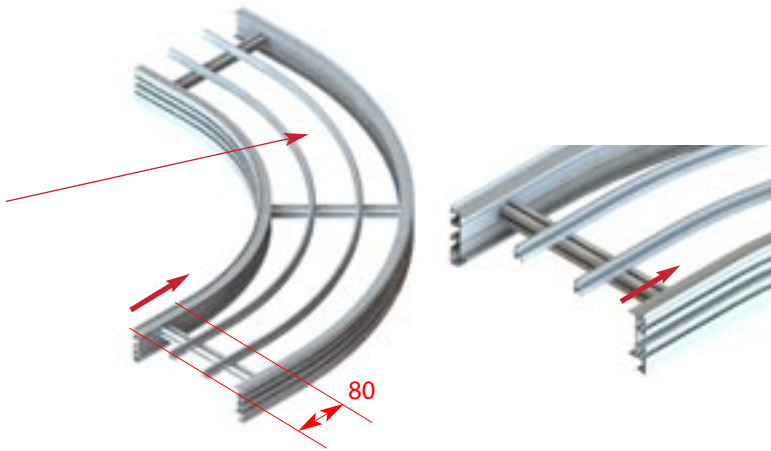
Connecting fish plates included



	Example of reference intervention module
HEF 1	HEF 1 CC
HEF 2	HEF 2 CC
HEF 3	HEF 3 CC
HEF 4	HEF 4 CC
HEF 5	HEF 5 CC
HEF 6	HEF 6 CC
HEF 7	HEF 7 CC
HEF 8	HEF 8 CC
HEF 9	HEF 9 CC
HEF 10	HEF 10 CC

/ HORIZONTAL CURVED MODULES

multiple angles of 15°, (others on request)

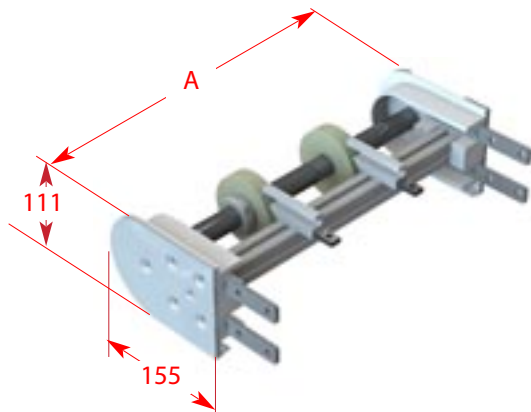


	Reference 90° left-hand curve	Reference 90° right-hand curve	Medium radius of curves
HEF 1	HEF 1 C260/90G	HEF 1 C260/90D	260
HEF 2	HEF 2 C405/90G	HEF 2 C405/90D	405
HEF 3	HEF 3 C550/90G	HEF 3 C550/90D	550
HEF 4	HEF 4 C850/90G	HEF 4 C850/90D	850
HEF 5	HEF 5 C1100/90G	HEF 5 C1100/90D	1100
HEF 6	HEF 6 C1340/90G	HEF 6 C1340/90D	1340
HEF 7	HEF 7 C1610/90G	HEF 7 C1610/90D	1610
HEF 8	HEF 8 C1870/90G	HEF 8 C1870/90D	1870
HEF 9	HEF 9 C2140/90G	HEF 9 C2140/90D	2140
HEF 10	HEF 10 C2420/90G	HEF 10 C2420/90D	2420

Connecting fish plates included

h'ecoflex

/ IDLER MODULES length 155 mm

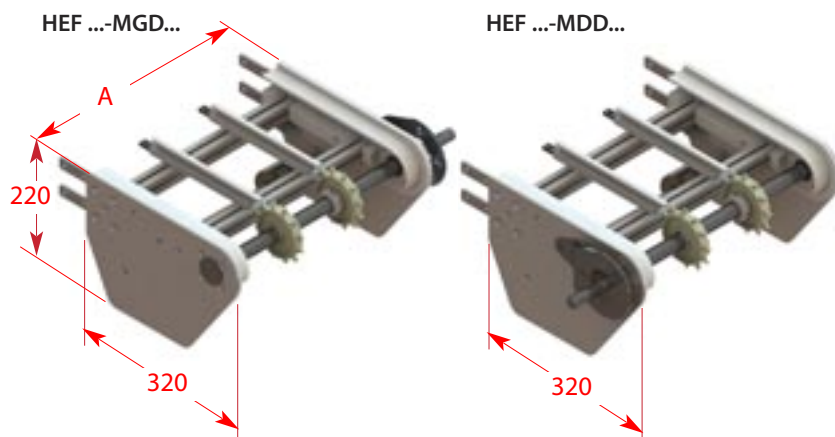


	Reference
HEF 1	HEF 1 R U
HEF 2	HEF 2 R U
HEF 3	HEF 3 R U
HEF 4	HEF 4 R U
HEF 5	HEF 5 R U
HEF 6	HEF 6 R U
HEF 7	HEF 7 R U
HEF 8	HEF 8 R U
HEF 9	HEF 9 R U
HEF 10	HEF 10 R U

Connecting fish plates included

/ DIRECT DRIVE MODULES

length 320 mm, output shaft Ø 20 for geared motor hollow shaft, pendulum mounting



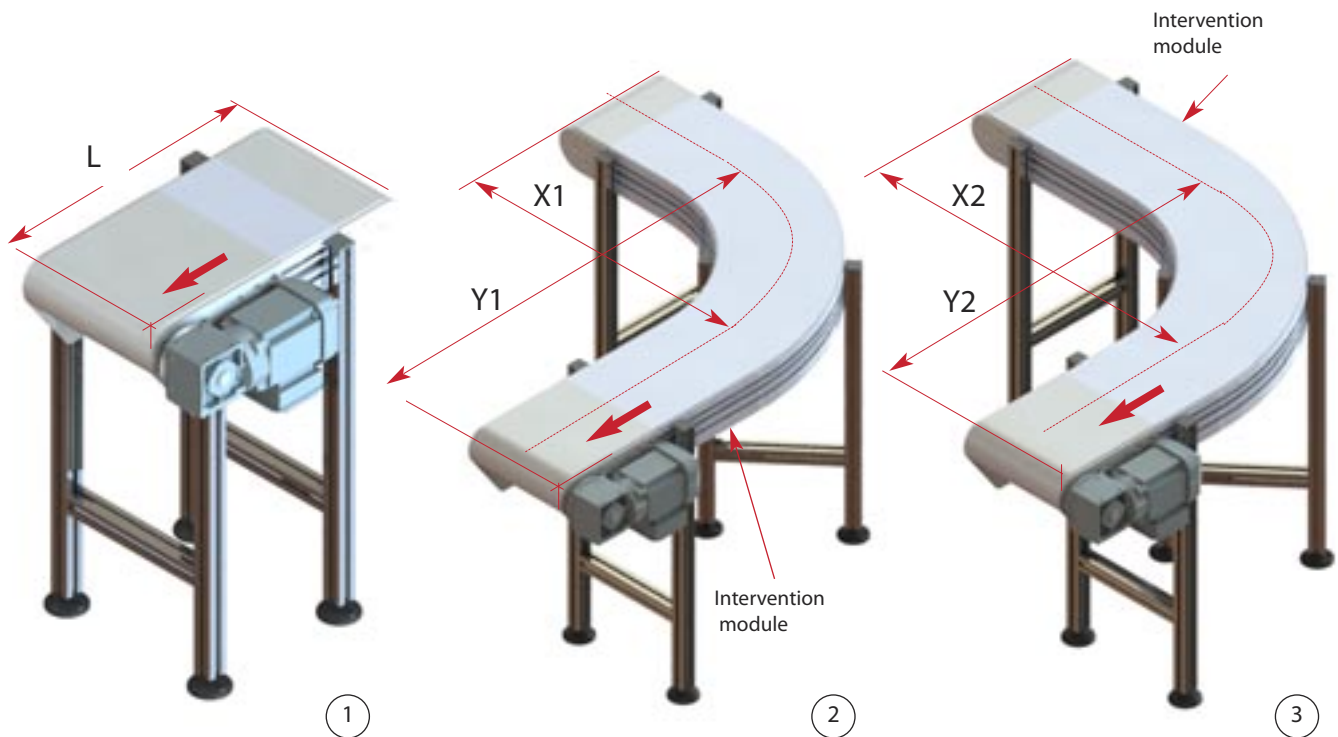
	Reference motor on the left	Reference motor on the right
HEF 1	HEF 1 MGD20 U	HEF 1 MDD20 U
HEF 2	HEF 2 MGD20 U	HEF 2 MDD20 U
HEF 3	HEF 3 MGD20 U	HEF 3 MDD20 U
HEF 4	HEF 4 MGD20 U	HEF 4 MDD20 U
HEF 5	HEF 5 MGD20 U	HEF 5 MDD20 U
HEF 6	HEF 6 MGD20 U	HEF 6 MDD20 U
HEF 7	HEF 7 MGD20 U	HEF 7 MDD20 U
HEF 8	HEF 8 MGD20 U	HEF 8 MDD20 U
HEF 9	HEF 9 MGD20 U	HEF 9 MDD20 U
HEF 10	HEF 10 MGD20 U	HEF 10 MDD20 U

Connecting fish plates included

/ MINIMUM DIMENSIONS

h'ecoflex conveyors, straight or with 1 curve, 90°

h'ecoflex



2 possibilities, depending on the position of the intervention module:

- between the curve and the drive module, dimensions X1 and Y1 (figure 2)
- between the idler module and the curve, dimensions X2 and Y2 (Figure 3).

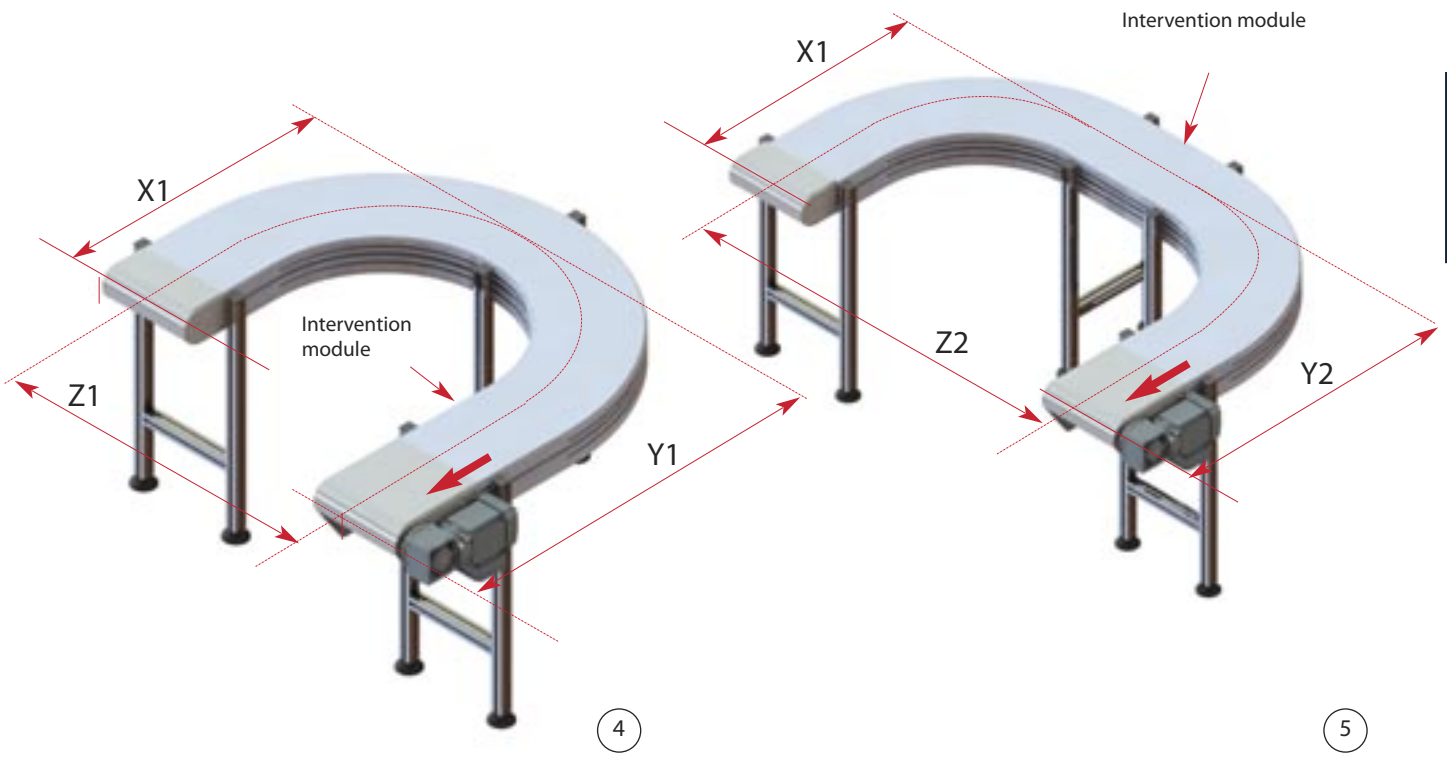
Please consult our Design Office to validate these installations.

	Belt width	Convoyor width	Medium radius	L min	X1 min	Y1 min	X2 min	Y2 min
HEF 1	148	165	260	615	495	940	775	660
HEF 2	210	227	405		670	1085	920	805
HEF 3	292	309	550		897	1230	1065	950
HEF 4	394	411	850		1299	1530	1365	1299
HEF 5	497	514	1100		1652	1780	1652	
HEF 6	600	617	1340		1995	2020	1995	
HEF 7	702	719	1610		2367			
HEF 8	805	822	1870		2730			
HEF 9	907	924	2140		3102			
HEF 10	1011	1028	2420		3486			

/ MINIMUM DIMENSIONS

h'ecoflex conveyors, with 2 curves of 90° in the same direction or 1 curve of 180°

h'ecoflex

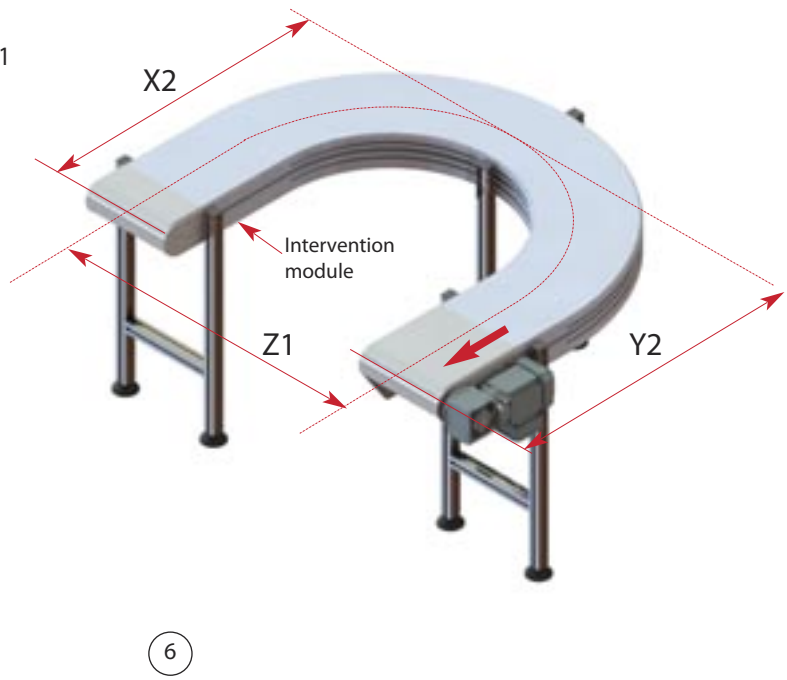


3 possibilities, depending on the position of the intervention module:

- between the curve and the drive module, dimensions X1, Y1 and Z1 (figure 4)
- between the 2 curves, dimensions X1, Y2, and Z2 (Figure 5)
- between the idler module and the 1st curve, dimensions X2 and Z1 (Figure 6).

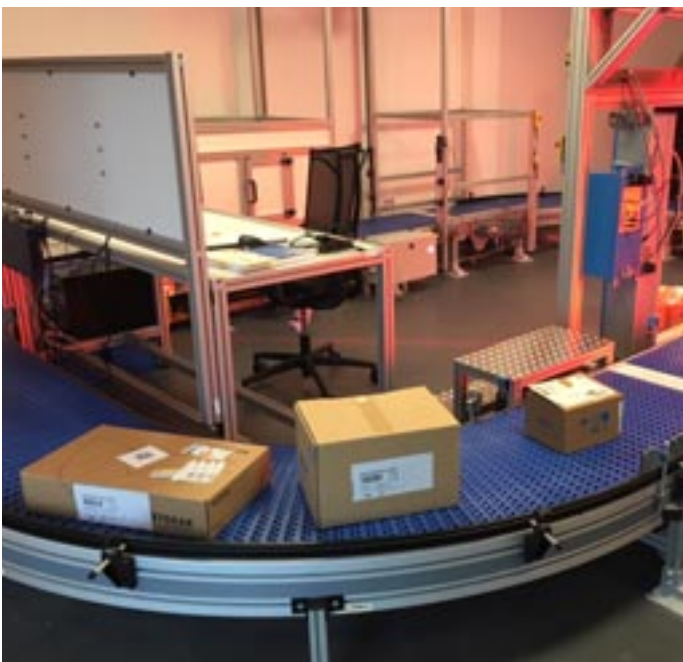
The dimensions X and Y are on the previous page.

Consult our Design Office to validate these installations.



	Z1 min	Z2 min
HEF 1	520	820
HEF 2	810	1110
HEF 3	1100	1400
HEF 4	1700	2094
HEF 5	2200	2697
HEF 6	2840*	3280
HEF 7	3380*	3922
HEF 8	3900*	4545
HEF 9	4440*	5187
HEF 10	5000*	5851

* : 1x180° 2x 90°



- **FLEXTOO[®]** Curved belt conveyor (heavy loads)



/ FLEXTOO® CONVEYORS : PRESENTATION OF THE RANGE

Tough and silent for conveying cartons & bulky products.

Flextoo is available in 5 widths:

227, 342, 418, 494, 647 mm

- Modularity.
- Robust structure and a very resistant belt permit complex and compact geometries.
- Silent.
- Optimum staff safety.
- Motorized transfers,
- Quick and easy maintenance

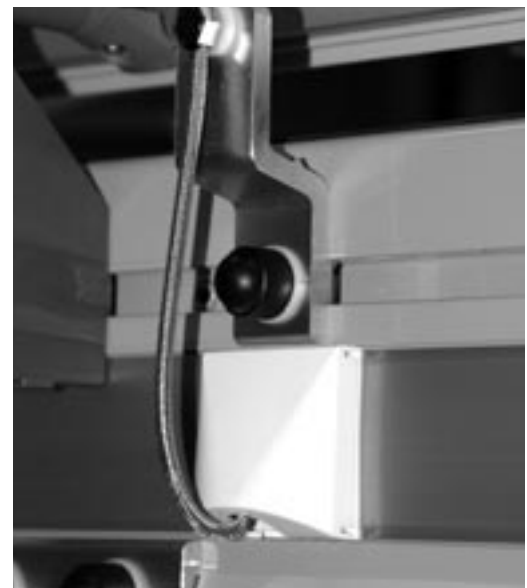
Flextoo



Designed for your installation requirements, FlexToo® conveyors are assembled and tested in our workshops.



The many accessories (legs, guides, mountings, etc.) are common to all of our ranges and fit in the 2 lateral grooves.



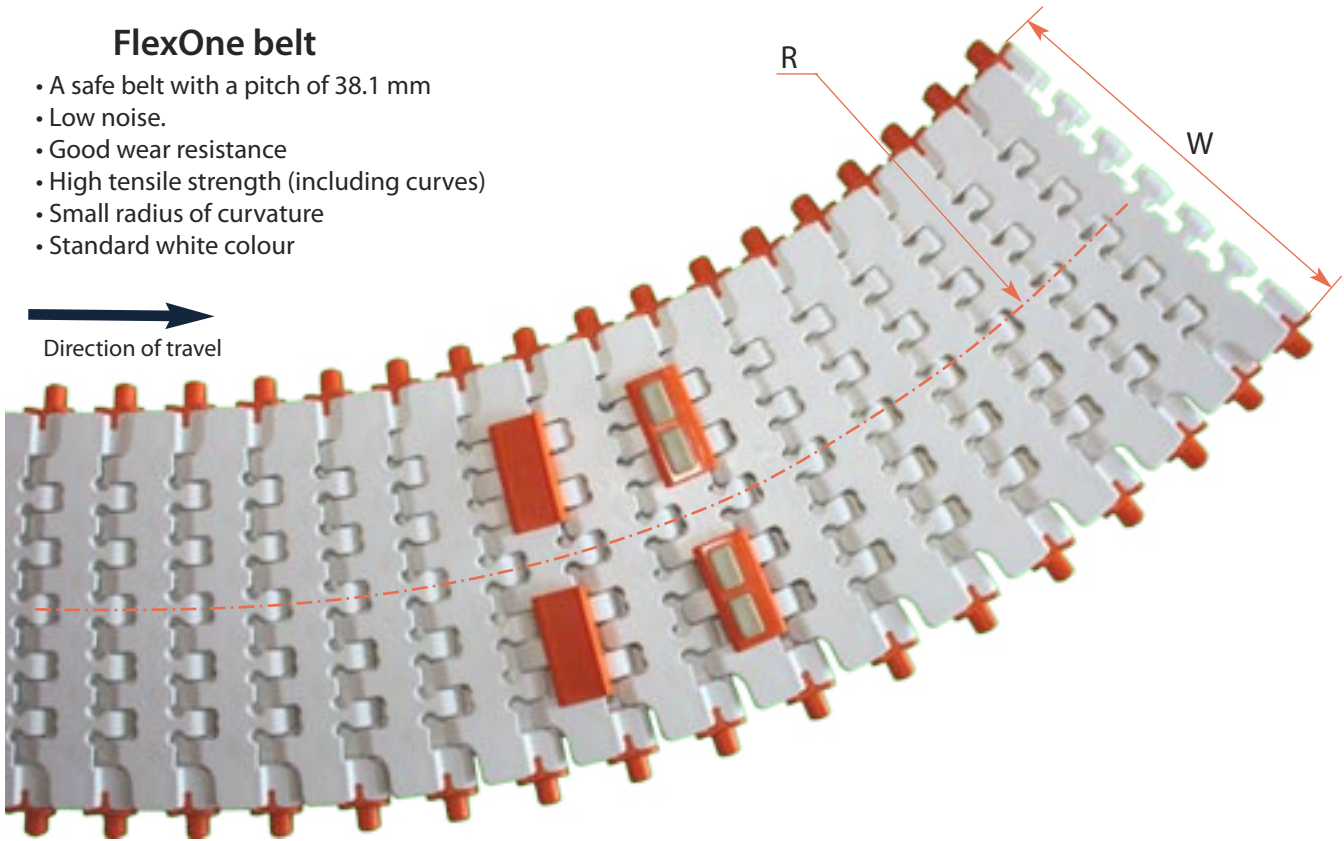
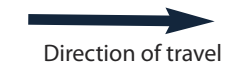
Cable raceways integral to the conveyor.



/ PRESENTATION OF THE RANGE

FlexOne belt

- A safe belt with a pitch of 38.1 mm
- Low noise.
- Good wear resistance
- High tensile strength (including curves)
- Small radius of curvature
- Standard white colour



Flextoo

Belt options

Blue colour on request	Flocked velvet belt

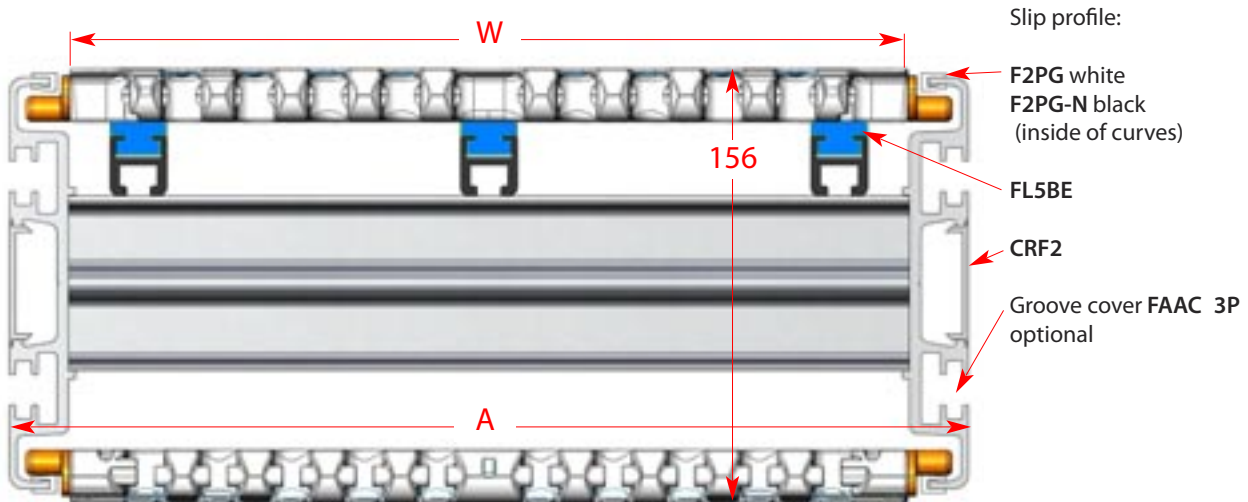
Additional equipment for the belt

<p>FONE-BUTH10 stops (50x25 Ht 10) can be clipped onto the belt</p>	<p>FONE-INSERT anti-slip inserts (50x25 th. 5,5) can be clipped onto the belt</p>	<p>FONE-INSERT-P anti-slip short studded inserts (50x25 th. 6,7) can be clipped onto the belt</p>
F2 1200 links (width 304.8 mm) with integrated stop height 25.4 - width 273 mm	link F2 1200 (width 304.8 mm) with integrated stop height 1.5 - width 5 mm	Possibility of specific stops or lugs on request.

/ FLEXTOO® CONVEYORS : STRUCTURES & STRAIGHT MODULES


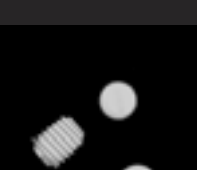
Flextoo

Sectional view



	Belt, width W	maximum tensile force*	Conveyor, width A	Number of support profiles	Mean radius of curves R	number of drive gears	number of idler rolls
F2 750	190.5	2000 N	227	2	400	2	2
F2 1200	304.8	3400 N	342	3	640	4	4
F2 1500	381	3500 N	418	3	800	6	
F2 1800	457.2	3600 N	494	3	930		6
F2 2400	609.6	3800 N	647	4	1180		

* with slip profile made from special material in the inside of the curves.
See table at the end of the chapter for the allowable tensile force according to the speed of the belt.

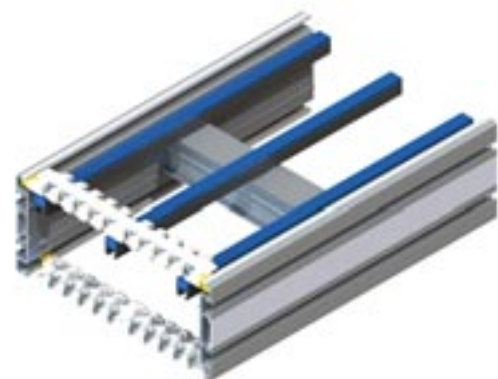
Drilling Templates	Aluminum rivets Smooth bore	Installation screw press for smooth rivets	Plastic grub screw, length 6mm:
GAB F2	ALU. RIVET 3X6.5 Ø3 L6.5	D3-F2 PRESS	PAST M4x6
			

Straight modules

F2-xxxx-D...

(standard length 3m, others to order)

	Example of a Reference module length 3m
F2 750	F2 750 D3000
F2 1200	F2 1200 D3000
F2 1500	F2 1500 D3000
F2 1800	F2 1800 D3000
F2 2400	F2 2400 D3000



FACS 25x140A connecting fish plates not included

/ CURVED MODULES

Horizontal curved modules

multiple angles of 15°, (others on request)

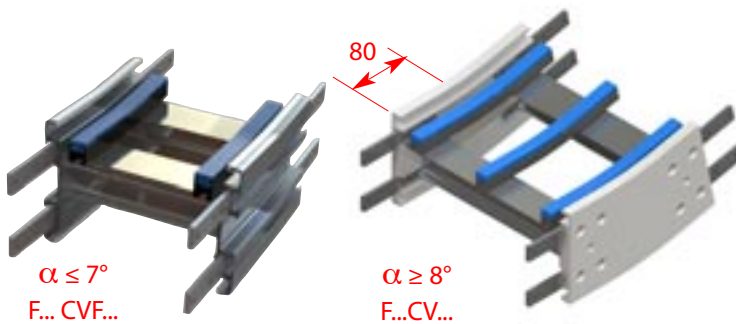


	Ex. of reference of a curve, 90°	Mean radius
F2 750	F2 750 C400/90	400
F2 1200	F2 1200 C640/90	640
F2 1500	F2 1500 C800/90	800
F2 1800	F2 1800 C930/90	930
F2 2400	F2 2400 C1180/90	1180

Connecting fish plates FACS 25x140A included

Vertical curved modules

mean radius 500 mm (angles on request)



	Ex. of the reference a 5° vertical curve	Ex. of the reference a 15° vertical curve
F2 750	F2 750 CVF 5	F2 750 CV 500 15
F2 1200	F2 1200 CVF 5	F2 1200 CV 500 15
F2 1500	F2 1500 CVF 5	F2 1500 CV 500 15
F2 1800	F2 1800 CVF 5	F2 1800 CV 500 15
F2 2400	F2 2400 CVF 5	F2 2400 CV 500 15

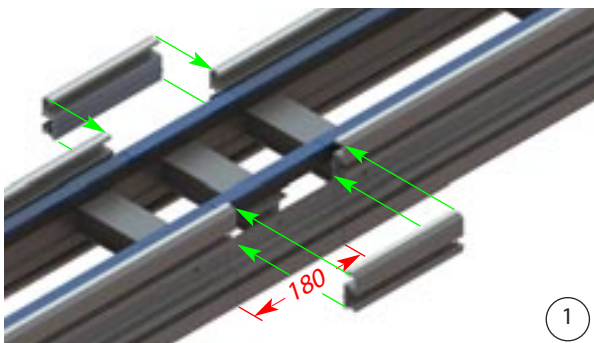
FACS 25x140A fish plates included

/ INTERVENTION MODULES

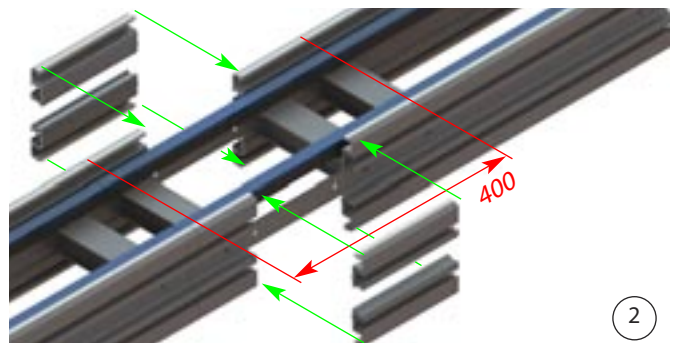
The F2-xxx-CC-180 module includes 1 removable area (above or below) allowing connection of the belt.
 The F2-xxx-2CC-400 module contains 2 removable areas (above and below) allowing a long conveyor to be split for delivery while leaving the belt in place.
 The belt support profiles are extended from the upstream and downstream modules.

	Intervention module reference	
	single (Figure 1)	double (figure 2)
F2 750	F2 750 CC 180	F2 750 2CC 400
F2 1200	F2 1200 CC 180	F2 1200 2CC 400
F2 1500	F2 1500 CC 180	F2 1500 2CC 400
F2 1800	F2 1800 CC 180	F2 1800 2CC 400
F2 2400	F2 2400 CC 180	F2 2400 2CC 400

FACS 25x140A connecting fish plates included



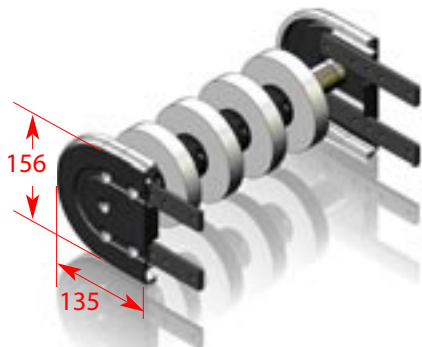
1



2

/ IDLER AND TRANSFERS END MODULES

Standard idler module

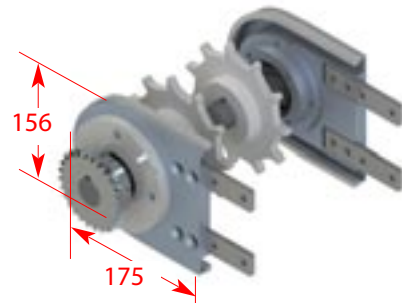


	Reference idler module
F2 750	F2 750 R
F2 1200	F2 1200 R
F2 1500	F2 1500 R
F2 1800	F2 1800 R
F2 2400	F2 2400 R

FACS 25x140A connecting fish plates included

Idler module with sprockets

- for motorised transfer at conveyor input
- for dusty conditions



	Reference idler module	ditto for NTB transfer on the left	ditto for NTB transfer on the right
F2 750	F2 750 RP	F2 750 RPG NTB	F2 750 RPD NTB
F2 1200	F2 1200 RP	F2 1200 RPG NTB	F2 1200 RPD NTB
F2 1500	F2 1500 RP	F2 1500 RPG NTB	F2 1500 RPD NTB
F2 1800	F2 1800 RP	F2 1800 RPG NTB	F2 1800 RPD NTB
F2 2400	F2 2400 RP	F2 2400 RPG NTB	F2 2400 RPD NTB

FACS 25x140A connecting fish plates included

Motorised transfers

- For idler module ...-RP above or drive module (not compatible with lugs or anti-slips inserts).
- These transfers are recommended at up to 15 m/min.

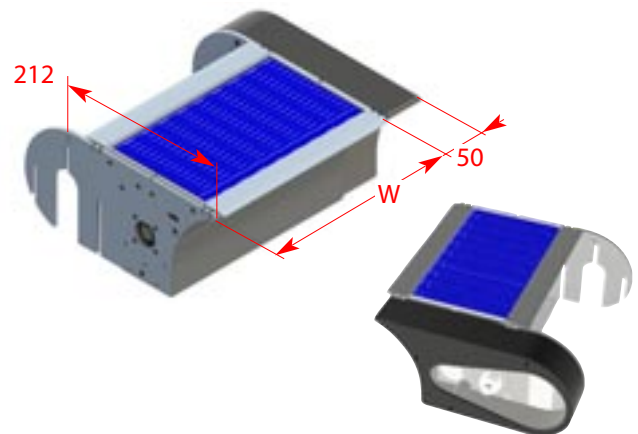
Tilt roller transfer

(not compatible with lugs or anti-slips inserts)



	Reference of the transfer to be fixed to Idler or GP drive modules	
	at the start of the Flextoo	between Flextoo
F2 750	F2 750 TG1RI	F2 750 TG2RI
F2 1200	F2 1200 TG1RI	F2 1200 TG2RI
F2 1500	F2 1500 TG1RI	F2 1500 TG2RI
F2 1800	F2 1800 TG1RI	F2 1800 TG2RI
F2 2400	F2 2400 TG1RI	F2 2400 TG2RI

	Transfer reference to be fixed to drive modules	
	at the start of the Flextoo	between Flextoo
F2 750	F2 750 TG1MI	F2 750 TG2MI
F2 1200	F2 1200 TG1MI	F2 1200 TG2MI
F2 1500	F2 1500 TG1MI	F2 1500 TG2MI
F2 1800	F2 1800 TG1MI	F2 1800 TG2MI
F2 2400	F2 2400 TG1MI	F2 2400 TG2MI

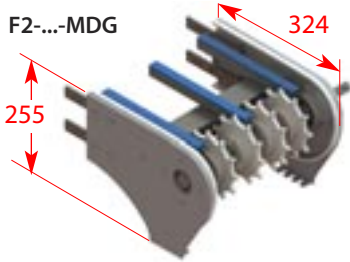


	W	Transfer reference to be fixed to idler modules	
		transmission on the left	transmission on the right
F2 750	249	F2 750 TMGR NTB	F2 750 TMDR NTB
F2 1200	357	F2 1200 TMGR NTB	F2 1200 TMDR NTB
F2 1500	433	F2 1500 TMGR NTB	F2 1500 TMDR NTB
F2 1800	510	F2 1800 TMGR NTB	F2 1800 TMDR NTB
F2 2400		F2 2400 TMGR NTB	F2 2400 TMDR NTB

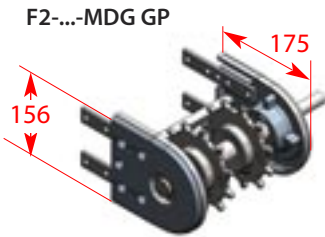
	Transfer reference to be fixed to drive modules	
	on F2...MDD20	on F2...MDG20
F2 750	F2 750 TMGM NTB	F2 750 TMDM NTB
F2 1200	F2 1200 TMGM NTB	F2 1200 TMDM NTB
F2 1500	F2 1500 TMGM NTB	F2 1500 TMDM NTB
F2 1800	F2 1800 TMGM NTB	F2 1800 TMDM NTB
F2 2400	F2 2400 TMGM NTB	F2 2400 TMDM NTB

/ DRIVE MODULES

Direct drive modules (flanged motors)

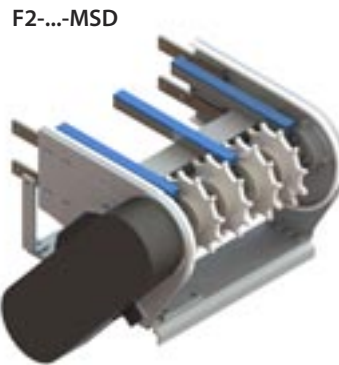


With slack strand L = 324 mm, shaft Ø20-25-30		
	Reference motor on the left	Reference motor on the right
F2 750	F2 750 MDG...	F2 750 MDD...
F2 1200	F2 1200 MDG...	F2 1200 MDD...
F2 1500	F2 1500 MDG...	F2 1500 MDD...
F2 1800	F2 1800 MDG...	F2 1800 MDD...
F2 2400	F2 2400 MDG...	F2 2400 MDD...



Ohne Leertrum L = 175 mm, Welle Ø20-25-30		
	Reference motor on the left	Reference motor on the right
F2 750	F2 750 MDG GP	F2 750 MDD GP
F2 1200	F2 1200 MDG GP	F2 1200 MDD GP
F2 1500	F2 1500 MDG GP	F2 1500 MDD GP
F2 1800	F2 1800 MDG GP	F2 1800 MDD GP
F2 2400	F2 2400 MDG GP	F2 2400 MDD GP

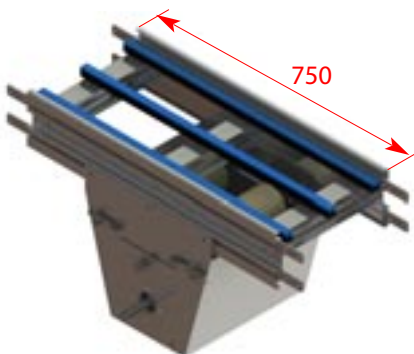
Drive modules with transmission (motors with protruding shaft)



Reference conveyor	Reference Transm. on the left	Reference Transm. on the right
F2 750	F2 750 MSG20	F2 750 MSD20
F2 1200	F2 1200 MSG20	F2 1200 MSD20
F2 1500	F2 1500 MSG20	F2 1500 MSD20
F2 1800	F2 1800 MSG20	F2 1800 MSD20
F2 2400	F2 2400 MSG20	F2 2400 MSD20

Intermediate drive modules

Symmetrical construction to position the motor on the preferred side.
Both directions of operation are possible.



	Module
F2 750	F2 750 MIDD20
F2 1200	F2 1200 MIDD20
F2 1500	F2 1500 MIDD20
F2 1800	F2 1800 MIDD20
F2 2400	F2 2400 MIDD20

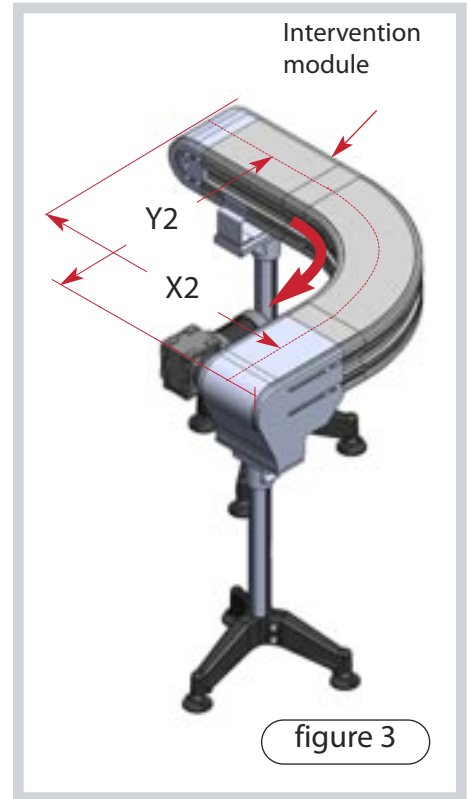
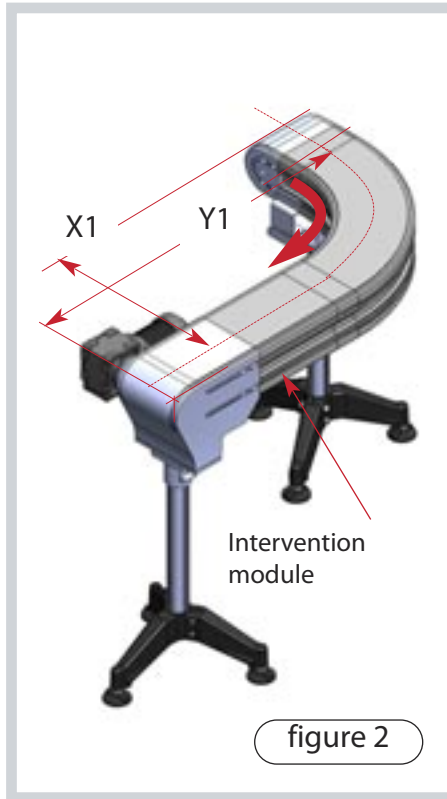
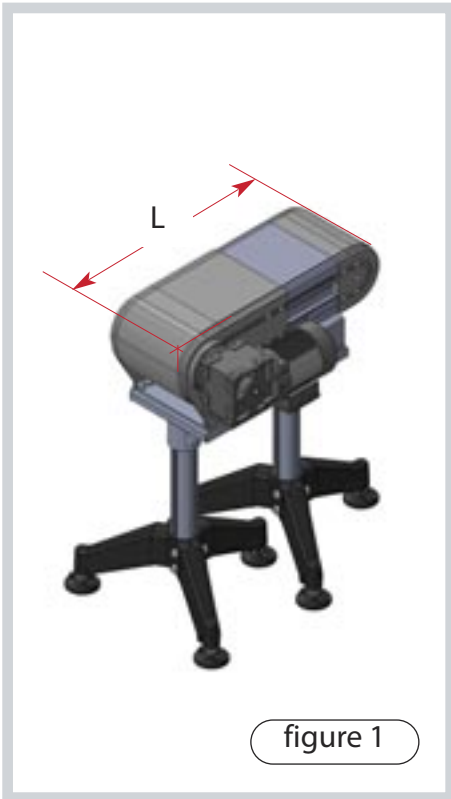
Belt drive sprockets: 11 teeth, pitch 38.1 mm i.e. a ØP = 135.2 mm.
FACS 25x140A connecting fish plates included in the modules on this page

Flextoo

/ FLEXTOO® CONVEYORS

Straight or with 1 curve, 90°: Minimum dimensions

Flextoo



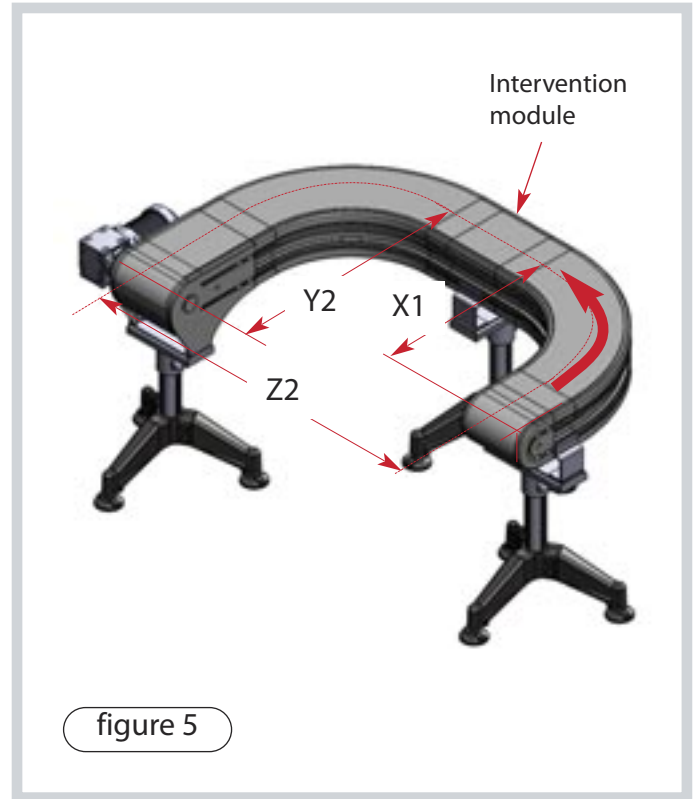
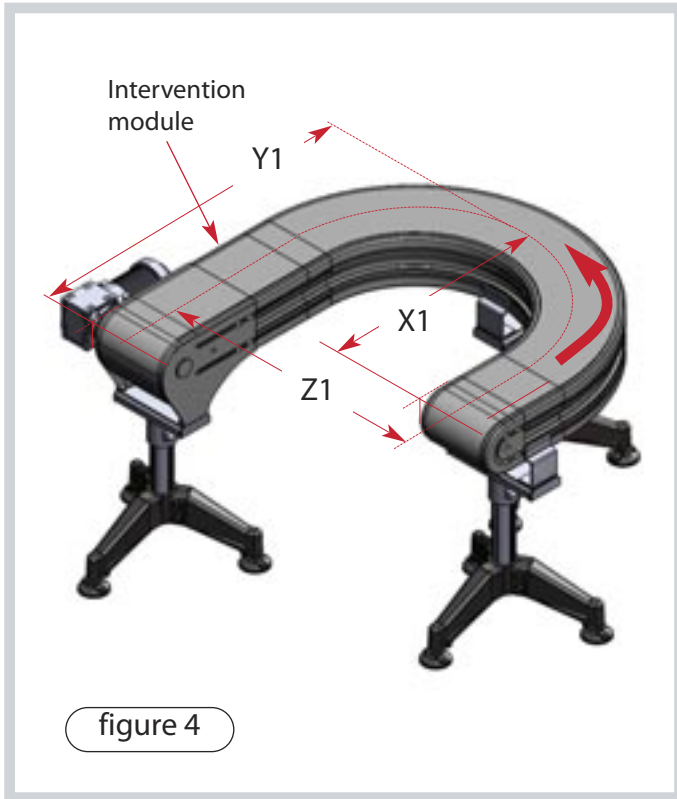
2 possibilities, depending on the position of the intervention module:
 - between the curve and the drive module, dimensions X1 and Y1 (figure 2)
 - between the idler module and the curve, dimensions X2 and Y2 (Figure 3).
Please consult our Design Office to validate these installations.

Dimensions C and C2 are for drive modules without slack strands (... GP)

Conveyor	Belt width	Conveyor width	Mean radius of curves	L min	X1 min	Y1 min	X2 min	Y2 min
F2 750	190	227	400	490	666	830	790	666
F2 1200	304.8	342	640		1020	1070	1030	1020
F2 1500	381	418	800		1256	1256	1256	1256
F2 1800	457.2	494	930		1462	1462	1462	1462
F2 2400	609.6	647	1180		1865	1865	1865	1865

/ FLEXTOO® CONVEYORS

Minimum dimensions with 2 curves of 90° in the same direction or 1 curve of 180°



Flextoo

3 possibilities, depending on the position of the intervention module:

- between the curve and the drive module, dimensions X1, Y1 and Z1 (figure 4)
- between the 2 curves, dimensions X1, Y2, and Z2 (Figure 5)
- between the idler module and the 1st curve, dimensions X2 and Z1 (Figure 6).

The dimensions X and Y appear on the previous page.

Consult our Design Office to validate these installations.

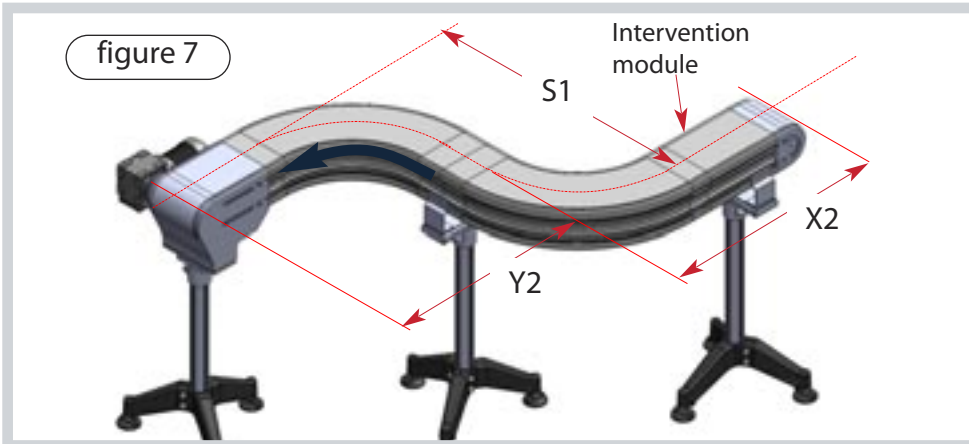


Conveyor	Z1 min	Z2 min
F2 750	800	1120
F2 1200	1280	1600
F2 1500	1600	1920
F2 1800	1860	2180
F2 2400	2360	2680

/ FLEXTOO® CONVEYORS

Minimum dimensions with 2 curves of 90° in the opposite direction

Flextoo



3 possibilities, depending on the position of the intervention module:

- between the idler module and the 1st curve dimensions X2, Y2, and S1 (Figure 7)

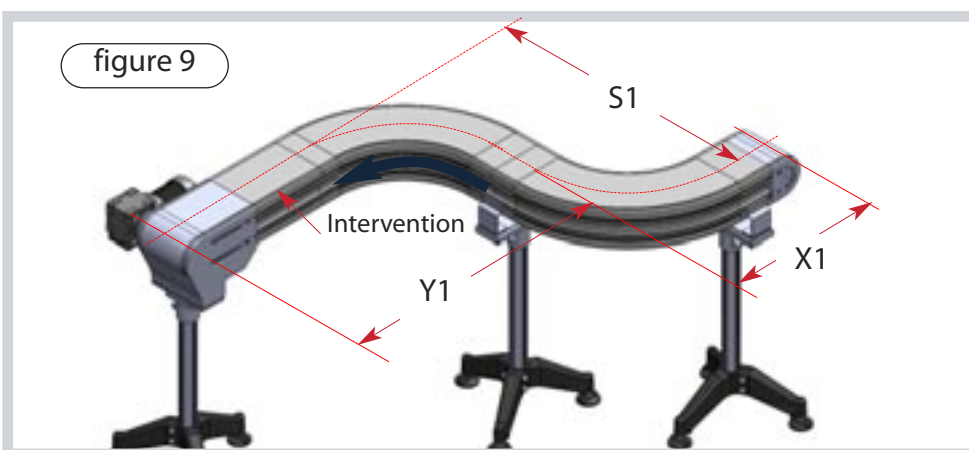
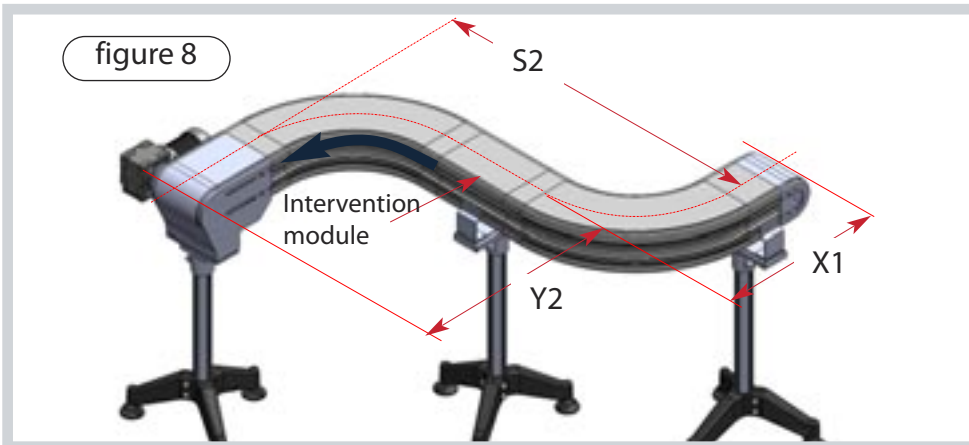
- between the 2 curves, dimensions X1, Y2, and S2 (Figure 8)

- between the 2nd curve and the drive module, dimensions X1, Y1 and S1 (figure 9)

Consult our Design Office to validate these installations.

Other combinations are possible; please do not hesitate to ask us.

Dimensions Y1 and Y2 are for drive modules without slack strands (... GP)



Conveyor	Belt width	Conveyor width	Average radius of curves	X1 min	Y1 min	X2 min	Y2 min	S1 min	S2 min
F2 750	190	227	400	666	830	790	666	991	1130
F2 1200	304.8	342	640	1020	1070	1030	1020	1585	1610
F2 1500	381	418	800	1256	1256	1256	1256	1981	1981
F2 1800	457.2	494	930	1462	1462	1462	1462	2317	2317
F2 2400	609.6	647	1180	1865	1865	1865	1865	2970	2970

- CAB: straight belt conveyors & with belt with functions



CAB



/ CAB: BALL CONVEYORS : STRUCTURE

Tough and silent for conveying and handling boxes & hard base bulky products.

CAB is available in several widths:

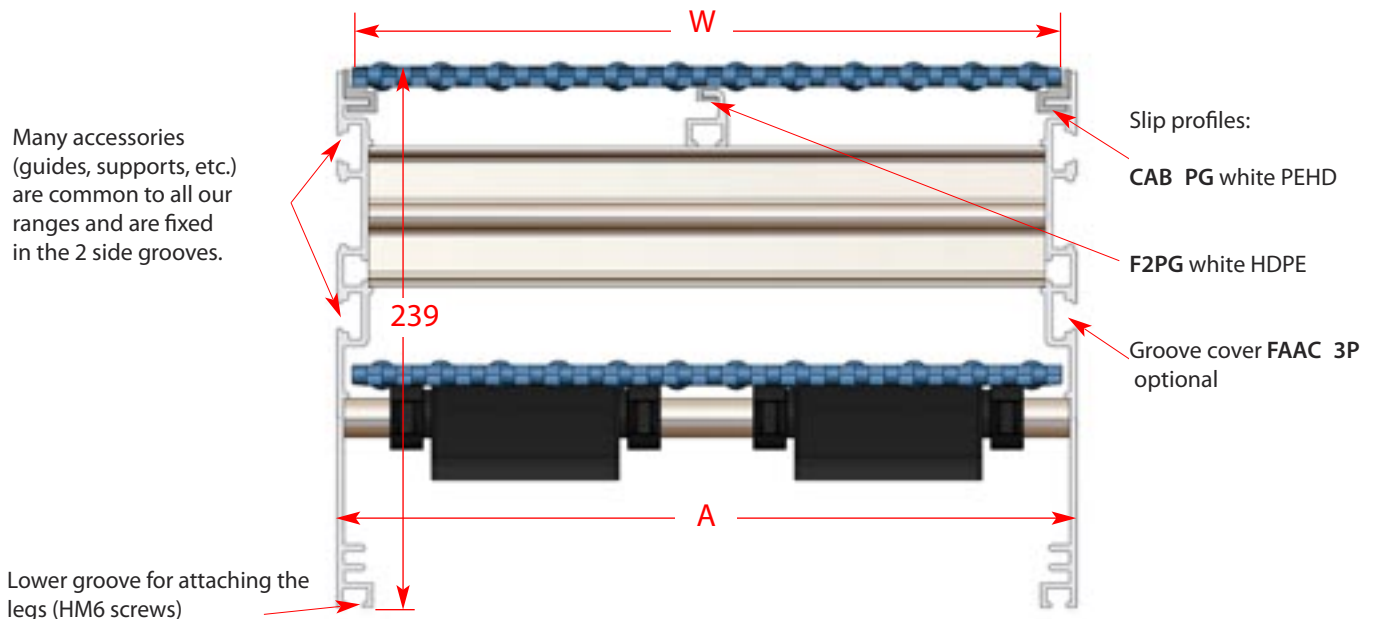
see table on the next page)

- Modularity.
 - Tough structure,
 - Silent.
 - Optimum staff safety.
 - Quick and easy maintenance.
 - Multidirectional ball belt, pitch 25.4 Very strong:
- Handling functions achievable thanks to or several conveyors integrated in the structure (as from the CAB 15 QNB version):
- Referencing on a fixed edge, 90° transfer
 - Ejection of non-compliant products,
 - Creation of a pitch between the products, reduction of the gap between products, stoppage of the product on the running conveyor,
 - Reversing the direction of feed of the product
 - Product rotation

It is possible to integrate several functions in a same feeder, depending on the length available.



Sectional view



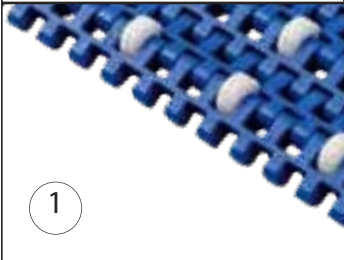
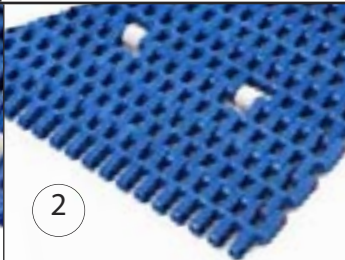

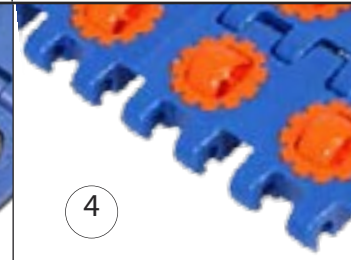
CAB

/ CAB: BALL CONVEYORS AND ROLLER VARIANTS

DIMENSIONS, STRAIGHT MODULES

Belt width	Conveyor width (A)	Number of support profiles	QNB (ball) belt (previous page)	M-TTB belt figure 1	SNB M2 Roll belt figure 1	RTB belt figures 3 & 4
152.4 mm	163	1	CAB 6 QNB (*)	CAB 6 M-TTB	CAB 6 SNB M2R	CAB 6 RTB
203.2 mm	215		×	×	×	CAB 8 RTB
228.6 mm	240		CAB 9 QNB (*)	CAB 9 M-TTB	CAB 9 SNB M2R	×
254 mm	267		×	×	×	CAB 10 RTB
304.8 mm	316		CAB 12 QNB (*)	CAB 12 M-TTB	CAB 12 SNB M2R	CAB 12 RTB
355.6 mm	372		×	×	×	CAB 14 RTB
381 mm	392		CAB 15 QNB	CAB 15 M-TTB	CAB 15 SNB M2R	×
406.4 mm	420	2	×	×	×	CAB 16 RTB
457.2 mm	468		CAB 18 QNB	CAB 18 M-TTB	CAB 18 SNB M2R	CAB 18 RTB
508 mm	521		×	×	×	CAB 20 RTB
533.4 mm	547	3	CAB 21 QNB	CAB 21 M-TTB	CAB 21 SNB M2R	×
558.8 mm	572		×	×	×	CAB 22 RTB
609.6 mm	621		CAB 24 QNB	CAB 24 M-TTB	CAB 24 SNB M2R	CAB 24 RTB

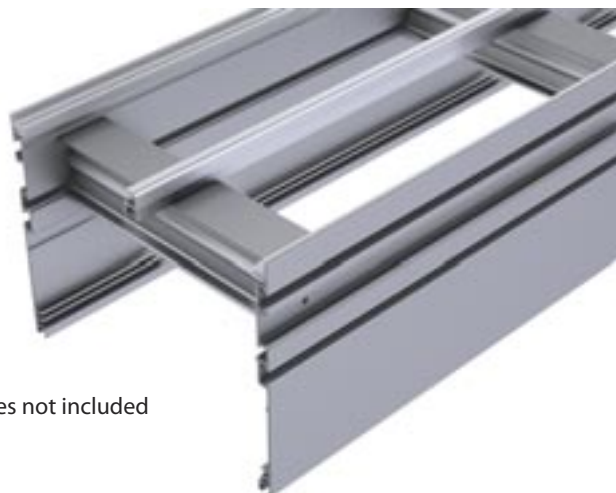
The belt widths and the dimension A are for the QNB belt. They vary slightly compared with the other internal band conveyor belts (*) possible for CAB 15 QNB and others

Versions of the CAB under development			
M-TTB Pitch of 12.7 mm with rollers for accumulation	SNB M2 Roll Pitch of 25.4 mm with rollers for accumulation	RTB M1 Pitch of 50.8 mm A belt with small swivellable rollers	<ul style="list-style-type: none"> • RTB M2 • RTB M2 Rubber (PU coated) Pitch of 50.8 mm, belt with swivellable rollers
			

POM belt, PA66 balls; (other materials to order)

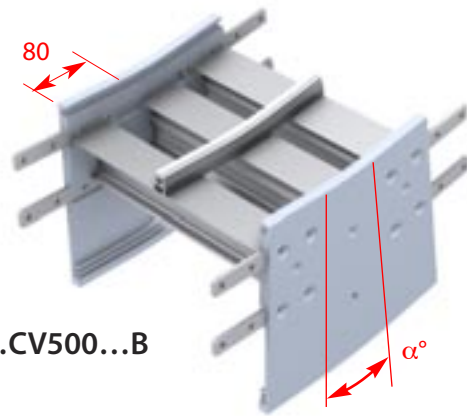
The RTB-M2 belt allows the products to be centred on the conveyor.

Straight modules
CAB...D...
 (standard length 3m, others to order)



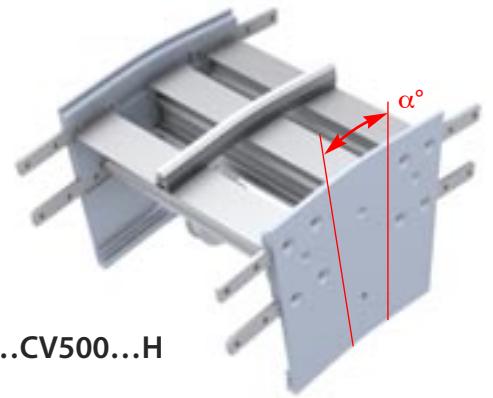
FACS 20x140A connection fish plates not included

/ VERTICAL CURVED MODULES



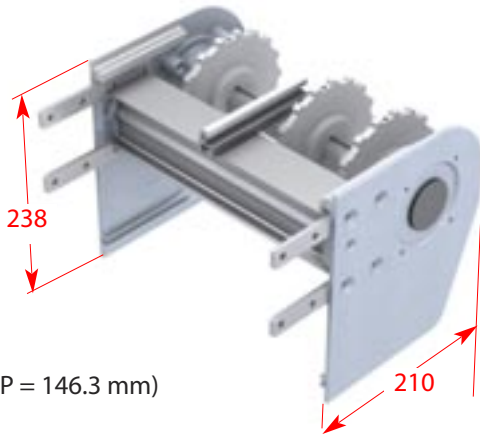
mean radius 500 mm
(angles to order)

CAB...CV500...B

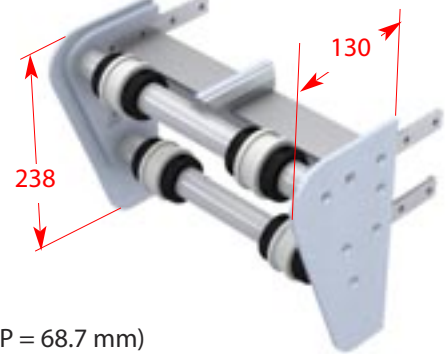


CAB...CV500...H

/ STANDARD & KNIFE EDGE IDLER MODULES



(ØP = 146.3 mm)



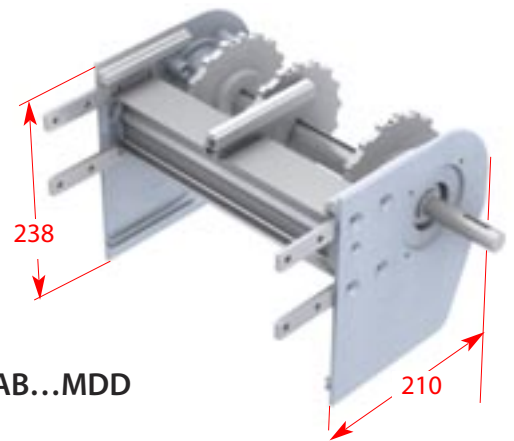
ØP = 68.7 mm)

/ DRIVE MODULES

Modules with slack strand
(Ø20 or Ø30 shaft)
18 tooth drive gears,
pitch 25.4 i.e.
ØP = 146.3 mm



CAB...MDG



CAB...MDD

/ END TRANSFERTS

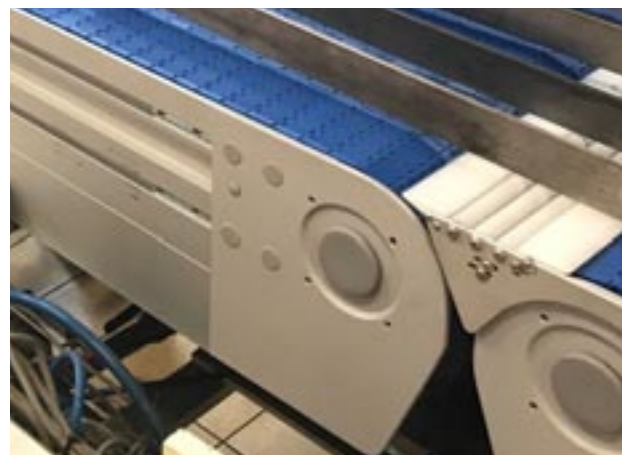
Not compatible with anti-slip lugs or inserts



CAB...TG1



CAB...TG2



CAB

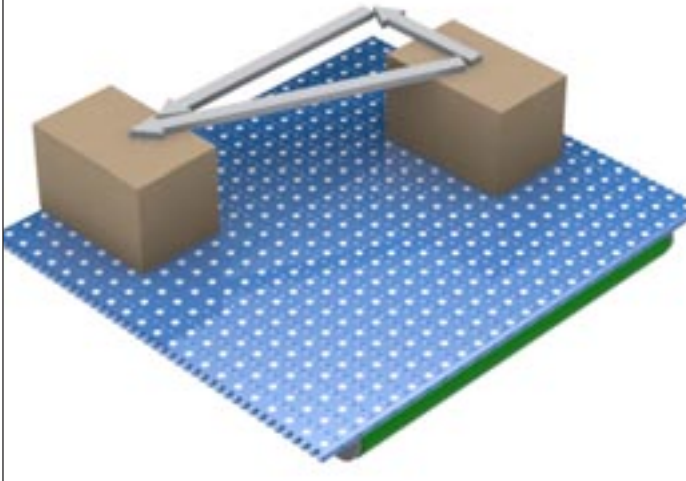
/ CAB: FUNCTIONS WITH THE QNB BALL BELT

Maximum unit weight of products handled: 18 kg

Lateral movement

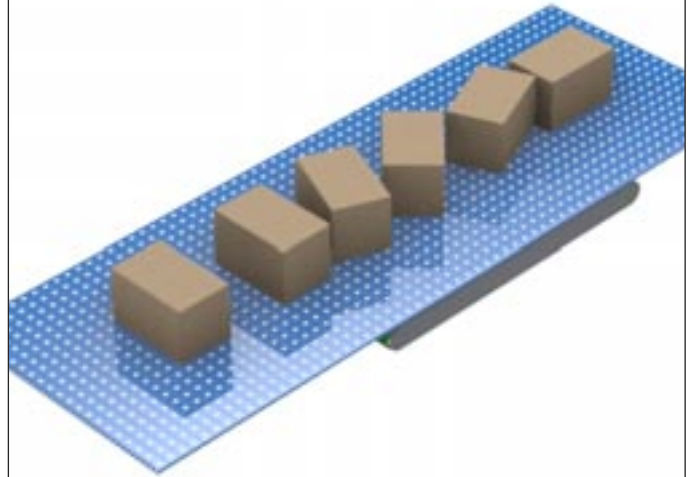
Applications:

- Referencing on a fixed edge
- 90° transfer
- Ejection of non-compliant products

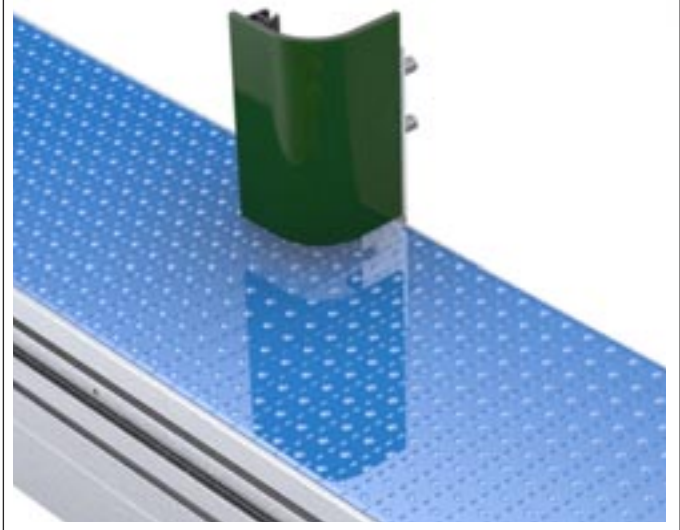


Rotational movements

- With two belt conveyors with different speeds placed in parallel in the structure



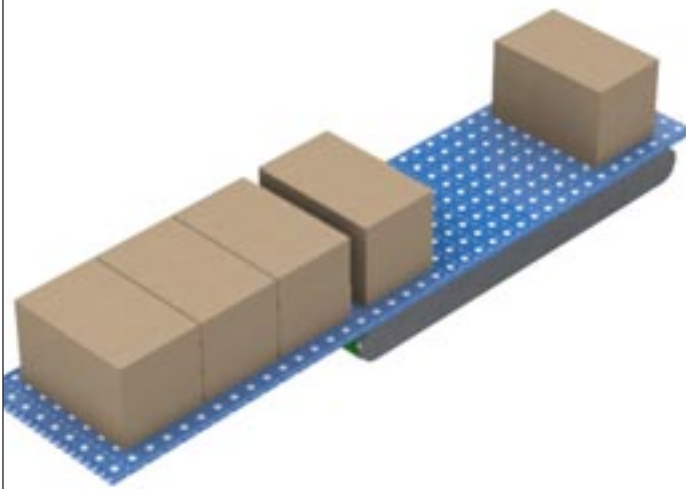
- With pivot stop



Variation in the conveying speed

Applications:

- Creation of a pitch between products
- Reduction of the gap between products
- Stoppage of the product on the running conveyor
- Reversal of the direction of feed of the product



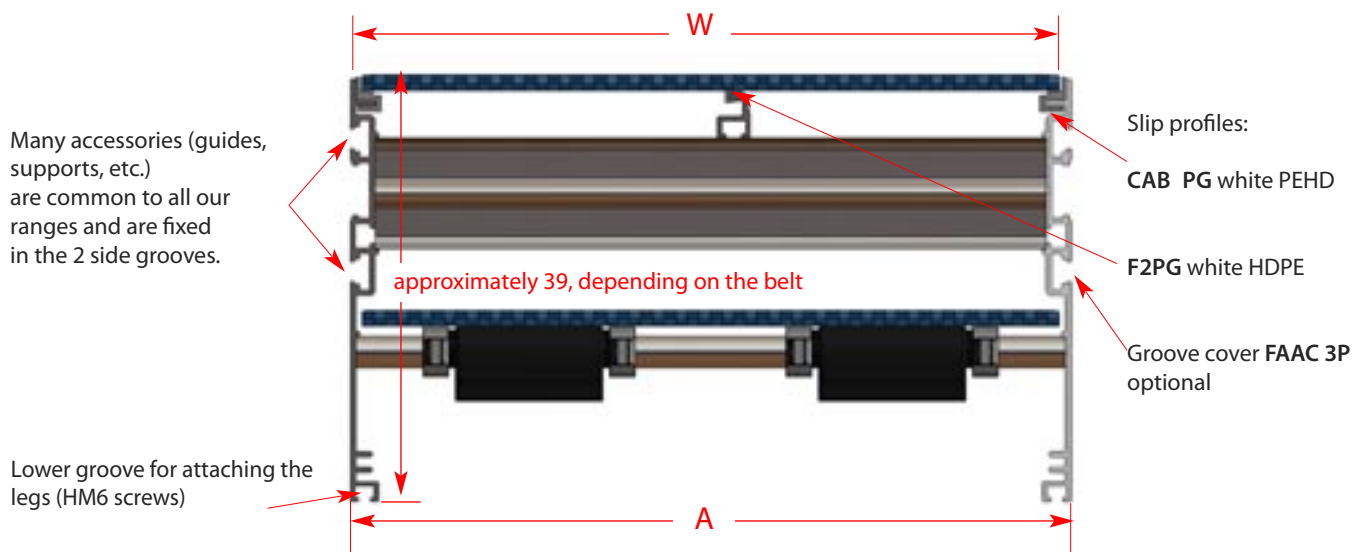
For these functions, our conveyors do not require compressed air.

- Energy saving
- Reduction of the installation costs
- Time saving in the fitting in the machine or the packaging line
- Possibility of including multiple functions on a single conveyor



/ CAB-SB : Structure

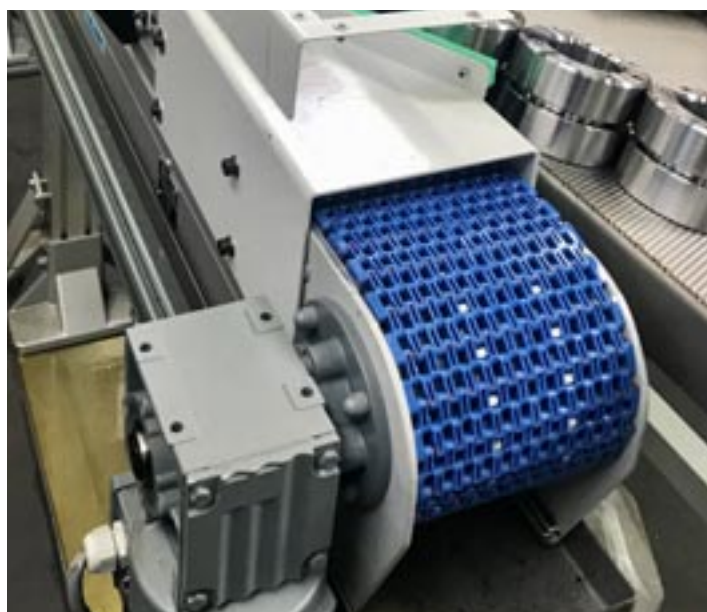
Sectional view



CAB

Conveyor	Belt width	Conveyor width (A)	Number of support profiles	QNB, JCB, SNB M2, M-TTB and M-QNB belts
CAB-SB 6	152,4	163	0	✓
CAB-SB 9	228,6	240	1	✓
CAB-SB 12	304,8	316		✓
CAB-SB 15	381	392		✓
CAB-SB 18	457,2	468	2	✓
CAB-SB 21	533,4	547	3	✓
CAB-SB 24	609,6	621		✓

The belt widths and the dimension A vary slightly depending on the belt.



/ CAB

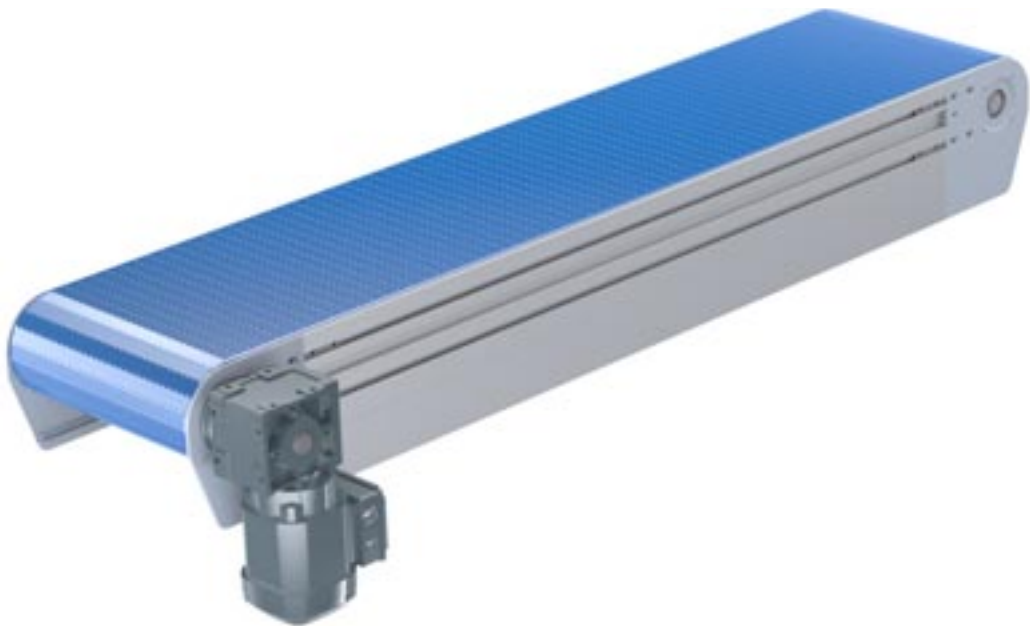
Tough and silent for conveying boxes & bulky products.

CAB-SB is available in several widths:




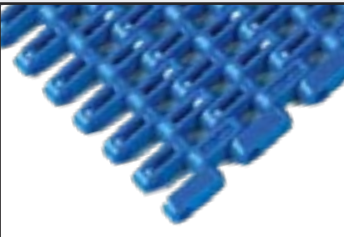

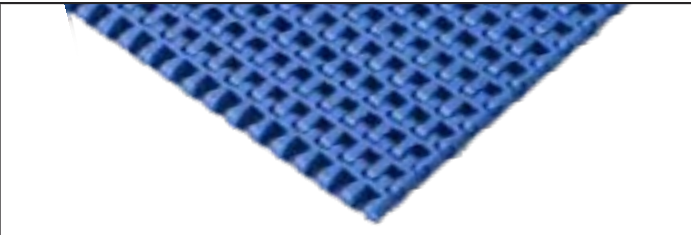
165 mm, 242 mm, 318 mm, 394 mm, 470 mm, 546 mm, 623 mm (beyond this to order)

- Modularity,
- Tough structure,
- Silent,
- Optimum staff safety,
- 3 types of belt available with a pitch of 25.4,
- Quick and easy maintenance,
- Conveyor length \geq 570 mm.

CAB-SB: this is a range of conveyors equipped with smooth, openwork or closed belts



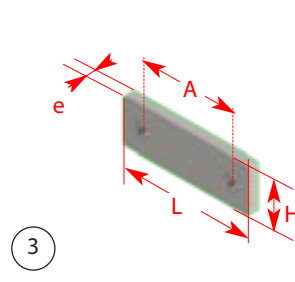
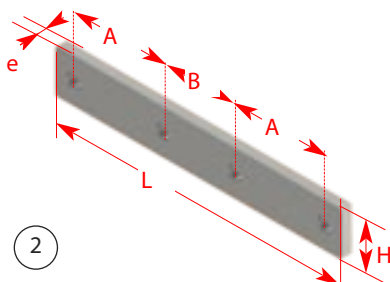
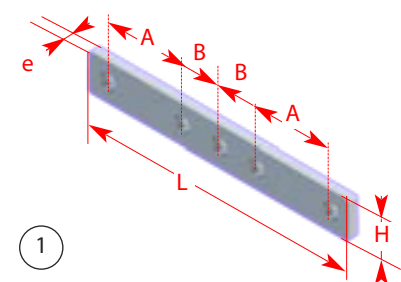
CAB

Versions of CAB-SB available: belt with a pitch of 25.4 mm			
QNB C closed belt	JCB Y closed belt	SNB M2 20%	SNB M2 34% openwork belt
			
Versions of CAB-SB under development: belt with a pitch of 12.7 mm			
M-QNB closed belt	M-TTB openwork belt		
			

POM belt (other materials to order)

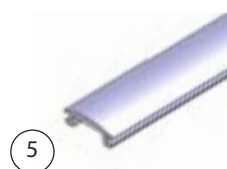
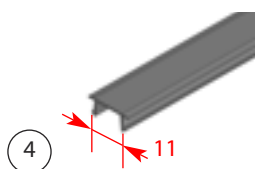
• Fish plates & groove covers

Zinc plated steel fish plates
HC screws included except (*)



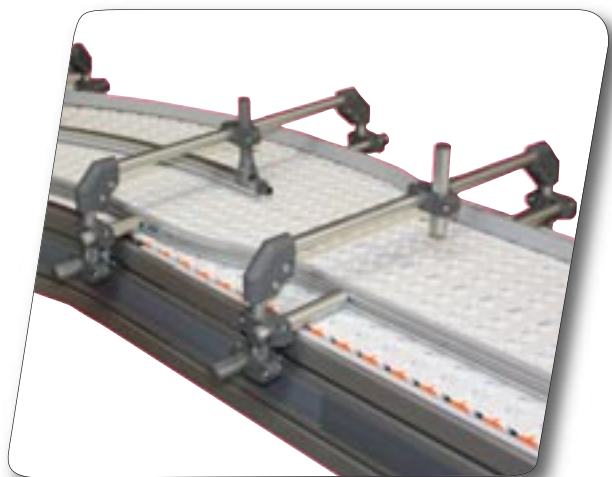
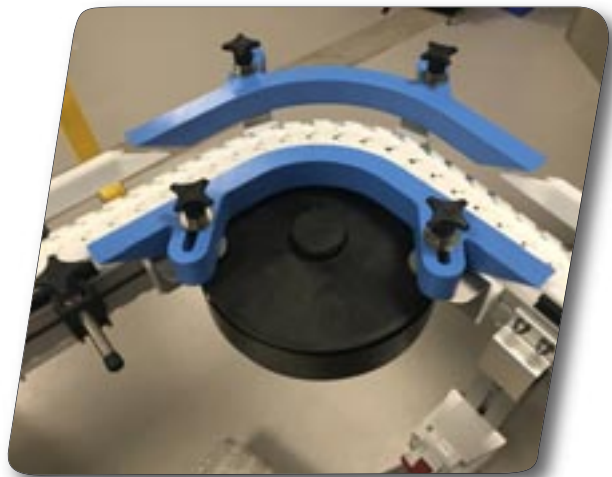
Reference	figure	e	H	L	A	B	Flex modules			Modules		Guides AC2A8, AT30; FGLB, FGLR, FGRR 3x20x12	Flex drip tray	FBCD cable raceway	Channel FxDT	Foot base EC150 45
							FK	FS, FM, FC, FL	CM, FB 175 FB 295	h'eco-flex	Flex-too					
FACS 20x140	1	4	20	140	40	20	✓	✓		✓	✓				✓	
FACS 20x140A	2	5				40	✓	✓			✓					
FACS 25x140A	1		25			20		✓			✓					
FACS 20x130A	2	6	19	130	35	40							✓	✓		
FACS 20x160			20	160	50				✓							
FACS 25x160			25					✓			✓					
FACS 25x70				70	40						✓					
FBCS 19x50 (*)	3	4,5	19	50	28											✓
FBCS 20x55 (*)		4,3	20	55	35		✓		✓							
FBCS 13x50		6	13	50	30							✓				

Groove cover






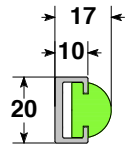
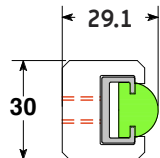
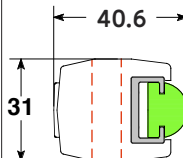
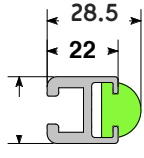


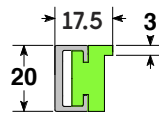
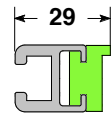


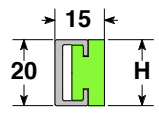
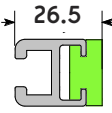





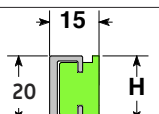
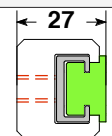
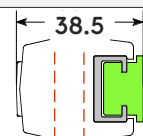
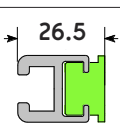


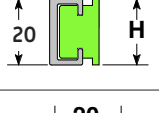
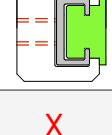
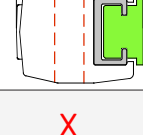
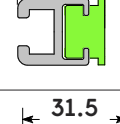


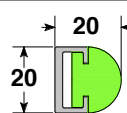
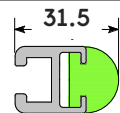


Reference	figure	Conveyor beams and sides			Structural tubes				
		KPS, SPS, MPS, CPS, FLCB	h'ecoflex	Flextoo CAB	TC64	FBSB...	TC44	TC44-88	TC88
FAAC 3P Rigid PVC, in 3 m bars FAAC 2 Aluminium in 2m bars	4	✓	✓	✓	✓	✓	✓	✓	✓
FASC 25 Flexible PVC, in 25 m rolls	5	✓			✓				



• GUIDES FOR CONVEYORS



/ SIDE GUIDE PROFILES WITH METAL FRAMES

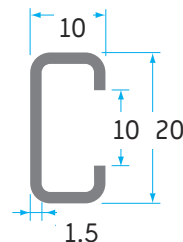
Profiles	H	Contents and profile colours	Packaging	Observations	Frame and clamp (if compatible)			
					Frame: C2010X or C2010Z	idem + EL60 bracket	idem + EL92 bracket	Frame AC2A8 (aluminium)
FL1		    	3 m	Machined				
FL2		 	3 m	Machined		X incompatible	X incompatible	
FL5	20	 	approx. 50 m	Extruded		X incompatible	X incompatible	
FL5UH30	30	 	3 m	Machined				
FL5UH40	40		3 m	Machined				
FL5S	20	 	3 m	Machined				
FL5SH30	30	 	3 m	Machined				
FL8		 	3 m	Extruded		X incompatible	X incompatible	

Materials of plastic profiles

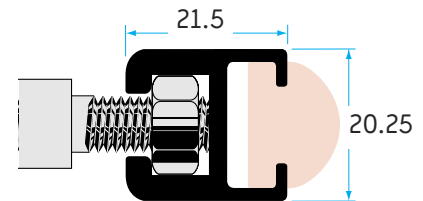
-  Natural High Density Polyethylene
-  Black High Density Polyethylene
-  Red High Density Polyethylene
-  Green High Density Polyethylene
-  Black Anti-Static High Density Polyethylene
-  OV Protect 7 blue (better slipping)
-  PTFE (Teflon®), length 1200 mm
-  Black High Density Polyethylene Extruded

Other sizes and materials on request.

Metal frames above

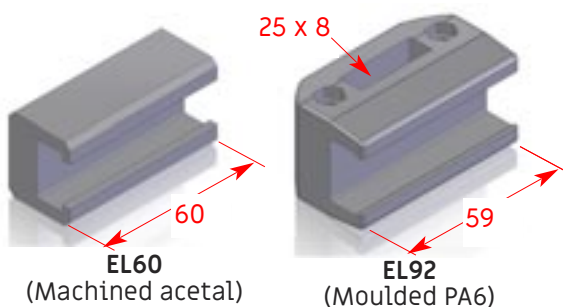


C2010Z
(zinc plated steel)
C2010X
(stainless steel)
0.49 kg/m



AC2A8
(Extruded black anodized aluminium)
Weight in kg/m: 0.51
H M8 standard fastenings

Plastic clamps for C2010 above



EL60
(Machined acetal)

EL92
(Moulded PA6)

Accessories for AC2A8 above



Fish plate **FBCS 13x50**
Groove cover **CR8N2**

Possibility of brush guides
Height 5 to 120 mm

/ SIDE GUIDE PROFILES WITH METAL FRAMES

Side guide profiles FD7... for metal strip

Profile							Mild steel strip not supplied	
Ref.	B	H	b1	b2	h1	h2	Dimensions	
FD 7-1	V	40	10	20	31	3,5	7	30 x 3
FD 7-2	50	11	30	41	8,5	12	10	40 x 4
FD 7-3		15						40 x 8
FD 7-4	V	60	14	40	51	6,5	10	50 x 6
FD 7-5	70	14	50	61	5,5	8	10	60 x 5
FD 7-6	80		70 x 5					
FD 7-7	82	12	60	71	3,5	8	70 x 3	
FD 7-8	90	15	70	81	6,5	10	10	80 x 5
FD 7-9								80 x 6
FD 7-10	110		90	101				100 x 6

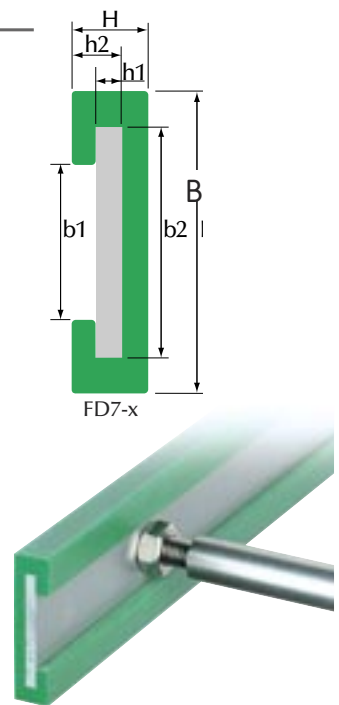


Materials and colours of the FD7-x profiles



Other sizes and materials on request.

Example of installation:
with threaded pin (to be ordered separately) and steel or stainless steel strip (not supplied).



Side guidance profiles for aluminium frame AT30

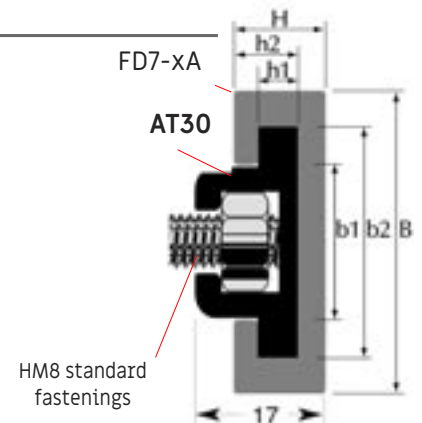
Profile							Frame, black anodised aluminium	
Ref.	B	H	b1	b2	h1	h2		
FD 7-1A	N	40	12	20,5	30,5	5,3	8,5	AT 30
FD 7-2A	50							
FD 7-4A	60							



Materials and colours of the FD7-xA profiles



Other sizes and materials on request.



Fish plate FBCS-13x50
Groove cover CR8N2



Plastic part FGPR FD100 in black POM
for guides FD7-1A... in curves

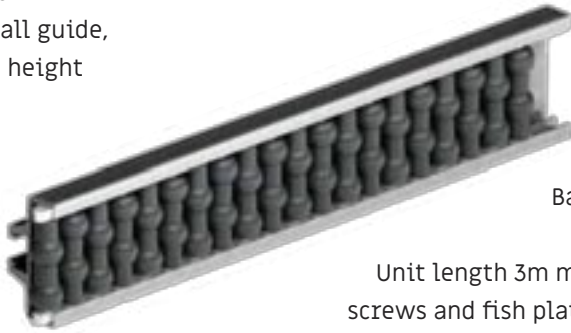
Stainless steel bar Ø12

Reference		Application
RI12	Stainless steel bar Ø12	Straight or curved side guide

Packaging: 3m bar

/ SIDE GUIDES AND INTERMEDIATE BALL AND ROLLER GUIDES (ALUMINIUM STRUCTURE)

E.g.: **FGLB 1**
Side ball guide,
single height

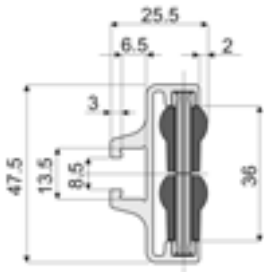


E.g.: **FGCR 2** Central roller guide,
double height

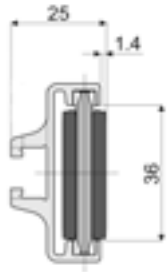


Balls and rollers,
pitch 12 mm,
Unit length 3m mounting by M8
screws and fish plates: **FBCS 13x50**
Groove cover **CR8G2**
Bends on request

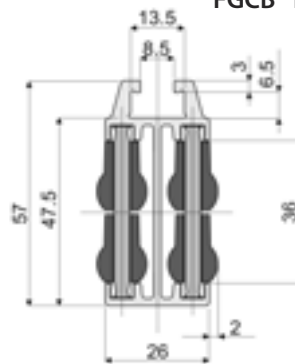
FGLB 1



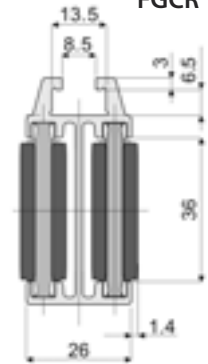
FGLR 1



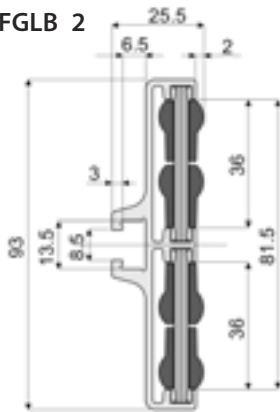
FGCB 1



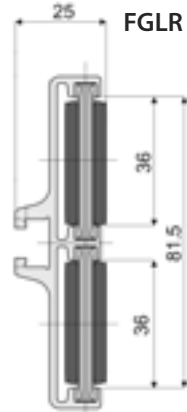
FGCR 1



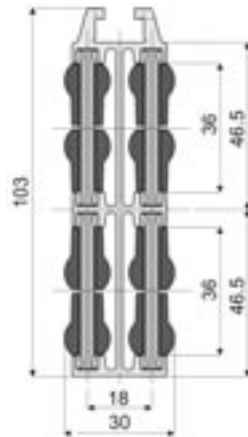
FGLB 2



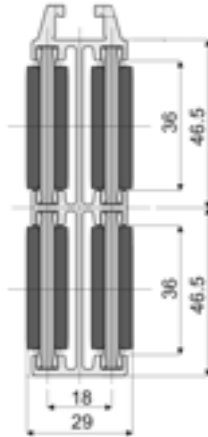
FGLR 2



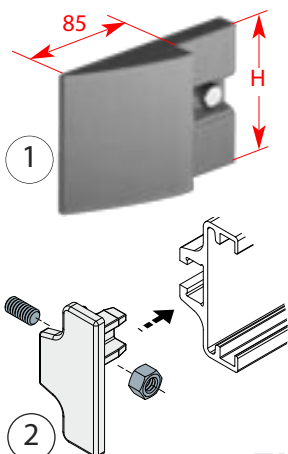
FGCB 2



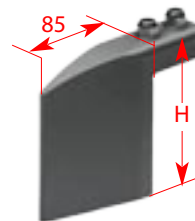
FGCR 2



Grey PE ends, stainless steel fastenings



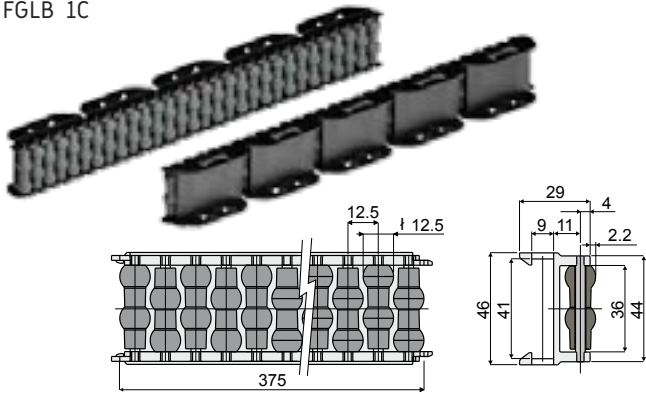
Reference	figure	H	Can be fitted on
FGEC L1	1	48	FGLB1 FGLR1
FGEC L1A	2		
FGEC L2	1	93	FGLB2 FGLR2



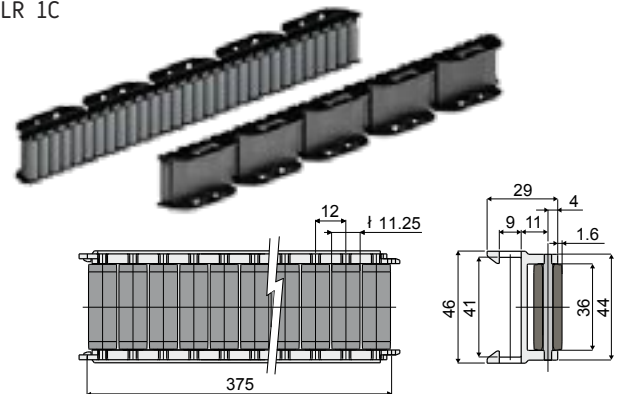
Reference	H	Can be fitted on
FGEC C1	62	FGCB1 FGCR1
FGEC C2	107,7	FGCB2 FGCR2

/ SIDE FORMABLE BALL AND ROLLER GUIDES* (STAINLESS STEEL FRAME)

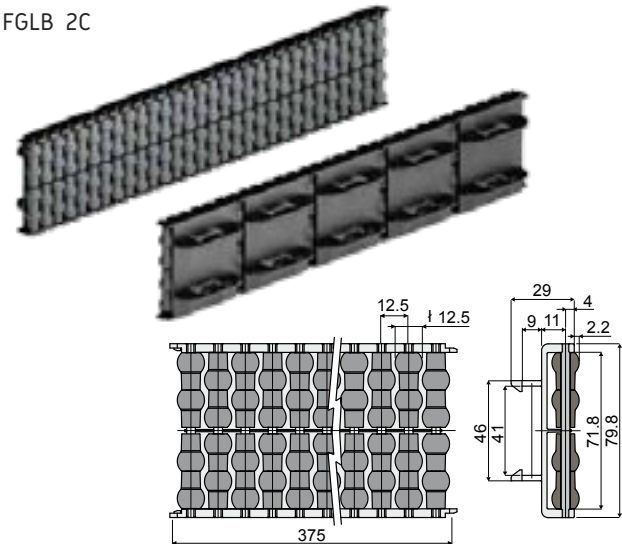
Side ball guide,
single height
FGLB 1C



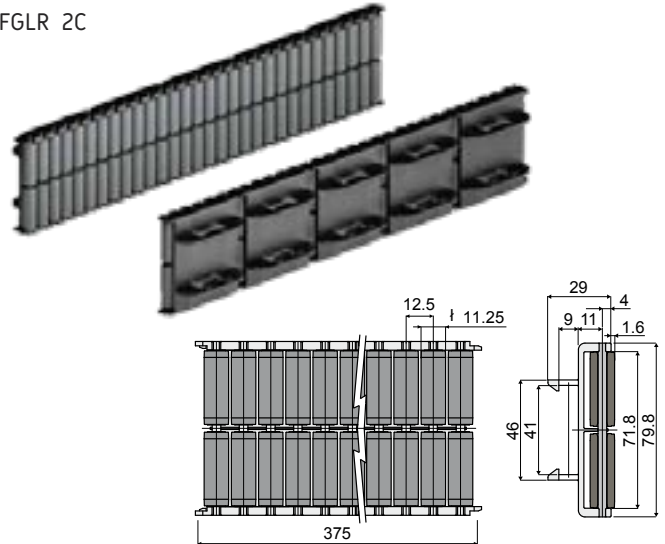
Side roller guide,
single height
FGLR 1C



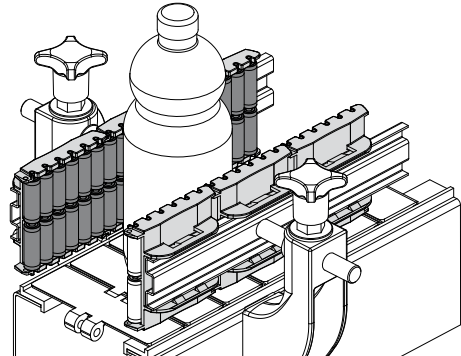
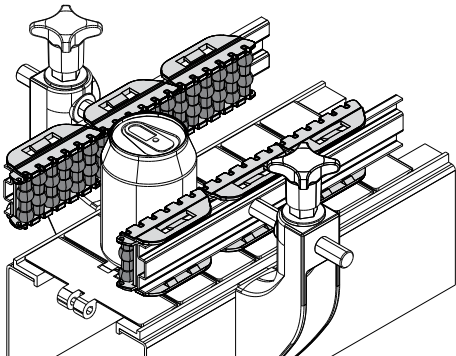
Side ball guide,
double height
FGLB 2C



Side roller guide,
double height
FGLR 2C



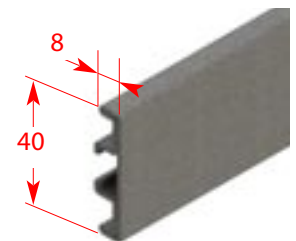
Examples of use



* minimum radii: inside 350 mm, outside 500mm



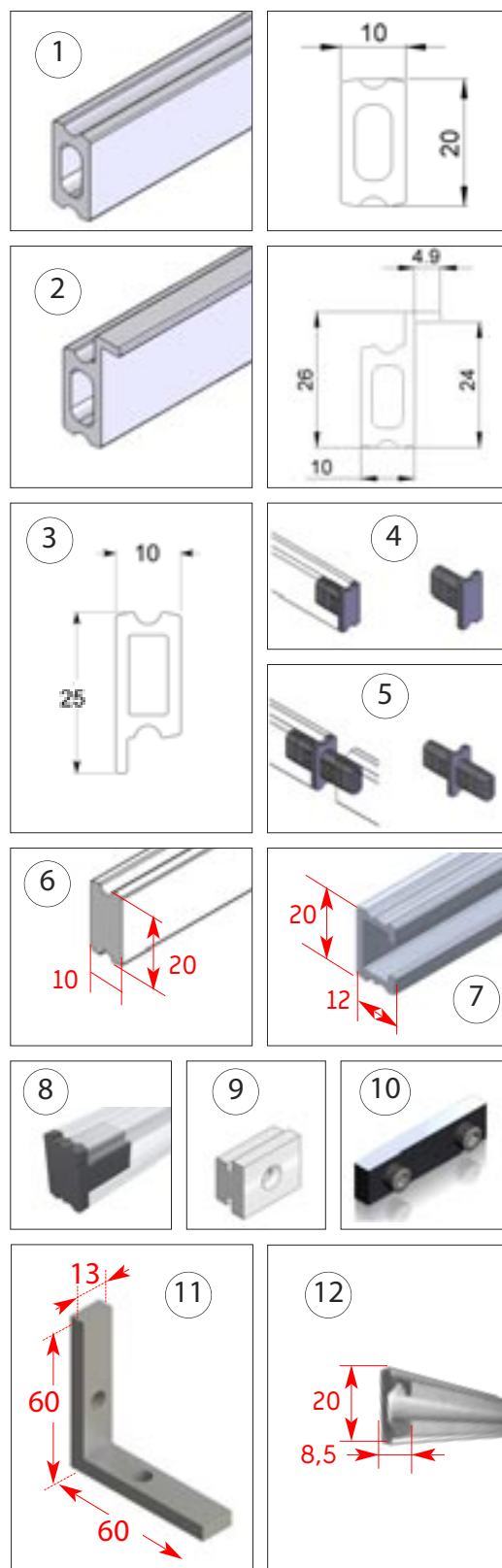
Stainless steel frame for the guides above
FGRRX 3x40x8
can also be used alone
as a side guide.



Groove for HM8 head,
Packaging: bar of 3m

/ SIDE GUIDE PROFILES

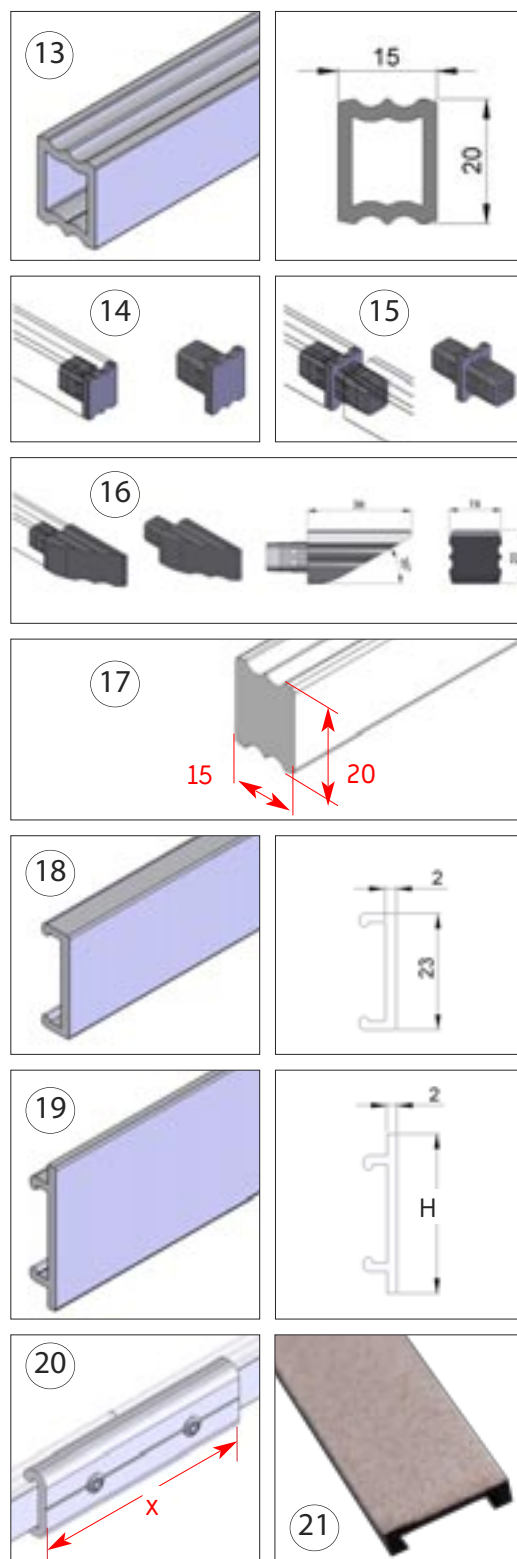
Reference / Packaging	Designation / material	Figure	Compatible with		
			profiles figure ...	ends figure ...	fastening
FGRR 3x20x10 3m bar	Natural anodised aluminium profile	1		4 & 5	brackets FGRA or FGRB
FGRR 3x20x10T 3m bar	Steel profile				
FGRR 3x20x10F 3m bar	Natural anodised aluminium profile	2	x	4 & 5	
FGRR 3x20x10B 3m bar		3			
FGEC 10x20	Grey plastic end	4			
FGRJ 10x20	Grey plastic junction	5			
FGRR 3x20x10P 3m bar	Profile for adjustable curves in grey machined PE	6			brackets FGRA or FGRB
FGRR 3x20x12 3m bar	Natural anodised aluminium profile	7	18 & 19 (groove cover CR8G2)	8, 10 & 11	Screws HM8 or FGRR FG25 fig. 9
FGEC 12x20	Grey plastic end	8			
FGRR FG25	Sliding slot for HM8	9			
FBCS 13x50	Splice for slot HM8	10			
FBRX 13	HM8 Slot Bracket	11			
FURS 3x8 3m bar	Natural anodised aluminium profile for F45 range	12	18 & 19		please consult us



We recommend placing at least a set of brackets every meter on the straight lengths, and 2 or 3 per curve. For the transfer of heavy products, or 20 x 10 profiles, the intervals can be reduced.

/ SIDE GUIDE PROFILES

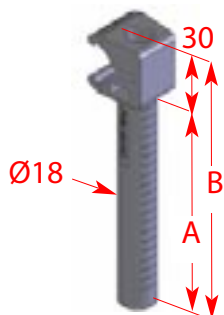
Reference / Packaging	Designation / material	Figure	Compatible with		
			profiles figure ...	ends figure ...	fastening
FGRRF 3x20x15 3m bar	Natural anodised aluminium profile	13	18 & 19	14, 15 & 16	brackets FGRA or FGRB
FGEC 15x20	Grey plastic end	14			
FGRJ 15x20	Grey plastic junction	15			
FGEC 30D	Grey plastic sloping end	16			
FGRR 3x20x15P 3m bar	Profile for adjustable curves in grey machined PE	17			brackets FGRA or FGRB
Protection profiles in bars of 3m. they prevent wear of the rail and direct contact of the products with the aluminium.					
FGRT 3x23 3m bar	Grey plastic	18			
FGRT 3x23A 3m bar	antistatic black-PEHD				
FGRT 3x33 3m bar	grey PEHD H = 33	19			
FGRT 3x33AN 3m bar	antistatic black-PEHD				
FGRT 3x50 3m bar	grey PEHD H = 50				
Colourless anodized aluminium fish plates, for joining FGRRF-3x20x15, FGRR 3x20x15P, FGRR 3x20x10, FGRR 3x20x10B, FGRR 3x20x10F, FGRR 3x20x10P and FGRR 3x20x10T Including grub screws.					
FGRC 60	X = 60	20			
FGRC 100	X = 100				
Flocked side guides: Production on request Acetal flocked POM Profiles		21			



/ GUIDE HOLDER AND BRACKETS

Single vertical guide holder

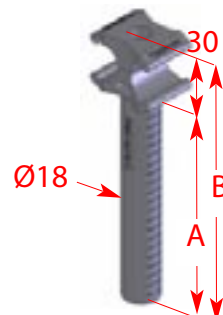
Material: PA6



Single guide Reference	A	B	ØM5 fastenings
FGRL 18x110C	110	140	Zinc plated steel
FGRL 18x160C	160	190	
SGRL 18x110C	110	140	Stainless steel
SGRL 18x160C	160	190	

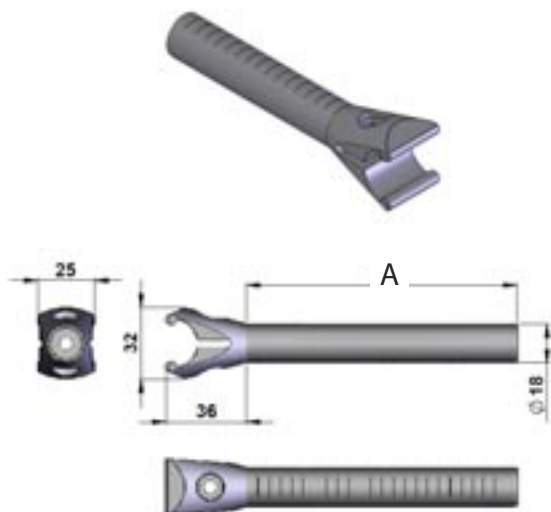
Double vertical guide holder

Material: PA6



Double guide Reference	A	B	ØM5 fastenings
FGRC 18x110C	110	140	Zinc plated steel
FGRC 18x160C	160	190	
SGRC 18x110C	110	140	Stainless steel
SGRC 18x160C	160	190	

Plastic guide holder pin

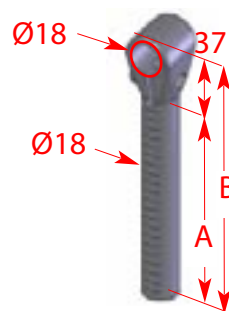


Reference	A	ØM5 fastenings
FGRK 18x40A	40	Zinc plated steel
FGRK 18x60A	60	
FGRK 18x80A	80	
FGRK 18x130A	130	
SGRK 18x80A	80	Stainless steel
SGRK 18x130A	130	

Guide holder bracket

Enables vertical adjustment of the Ø18 pin of the guide holder by tightening with an M5 screw provided.

Material: PA6



Reference	A	B	ØM5 fastenings
FGRL 18x110CA	110	147	Zinc plated steel
FGRL 18x160CA	160	197	
SGRL 18x110CA	110	147	Stainless steel
SGRL 18x160CA	160	197	

/ HEIGHT AND WIDTH ADJUSTABLE BRACKETS

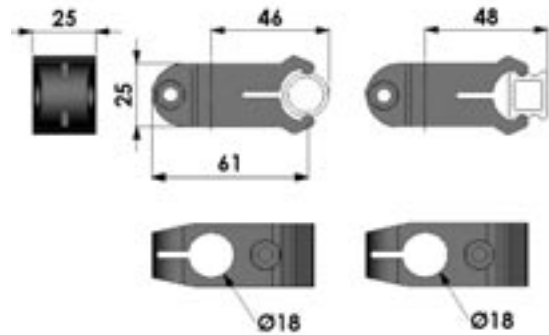
with assembly sheave Aluminium bracket FGRB 22x63

Guide holder clamp in PA6 between

- vertical tube $\varnothing 18$
- lateral guide FGRR-3x20
- or tube $\varnothing 18$ FGGR or SGRR below



Reference of the clamp	Fastenings
FGRS 18	Zinc plated steel
SGRS 18	Stainless steel

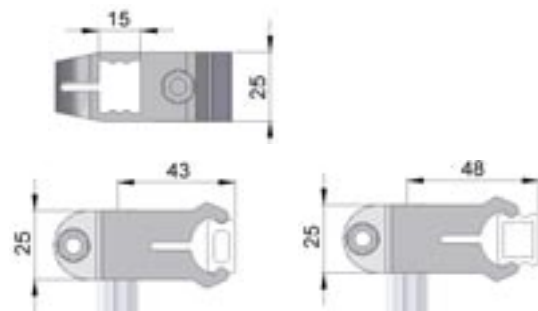


Guide holder clamp in PA6 between

- vertical profile FGRRF 3x20x15
- lateral guide FGRR-3x20x10 or FGGRF 3x20x15

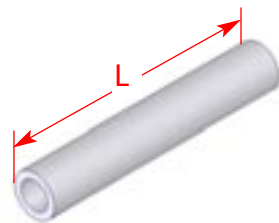


Reference of the clamp	Fastenings
FGRS 15x20	Zinc plated steel



Aluminium tube $\varnothing 18/13$:

- FGGR 3x18 (L. 3m can also be used as a lateral guide)
- FGGR 18xL (L=length to order request)



Stainless steel tube $\varnothing 19$:

- SGGR 3x19 (L. 3m, lateral guide)

Stainless steel tube $\varnothing 19$ cut to length:

- SGGR 19x150 (L. 150 mm)
- SGGR 19x200 (L. 200 mm)

Other lengths to order



End plug FGEC 18

Junction FGRJ 18x18
For tube above



End plug SGEC 19

Junction SGRJ 3x19

for tube above

Guide holder FGRK 18CE

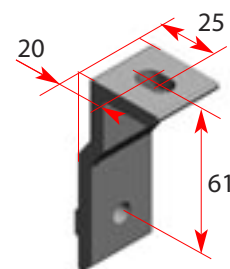
Used with the tube $\varnothing 18$ FGGR 3x18 (aluminium), enables the creation of guide holders of all sizes.

Material: PA6



Aluminium brackets FGRB 22x63

Usable for example as a guide bracket under a slat.

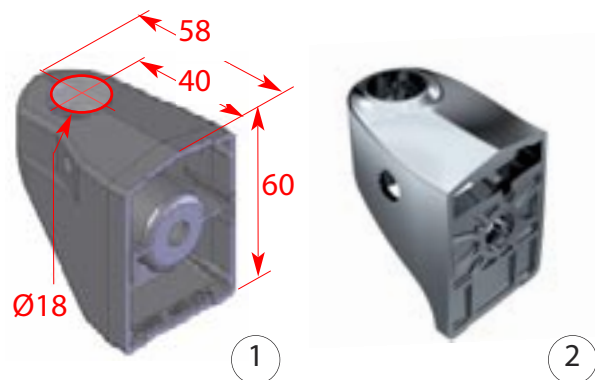


/ xGRF BRACKETS & SPACERS

Moulded guide holders

Clamping system by means of an M6 screw
Bracket attachment to the aluminium profile, by
Ø M8 mm nuts and bolts sold separately.

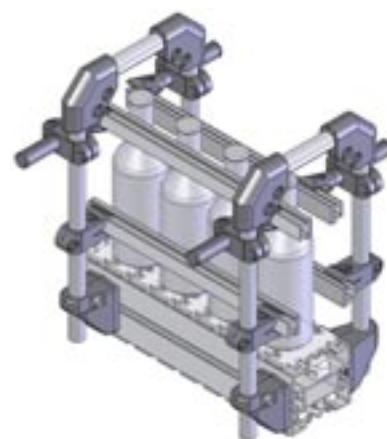
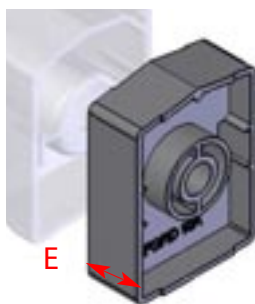
Material: PA6



Reference	Material	Fastenings	Figure
FGRF 42x18V	plastic (PA6)	Zinc plated steel	1
FGRF 42x18VH	zinc	Zinc plated steel	2
SGRF 42x18V	plastic (PA6)	Stainless steel	1

Spacer

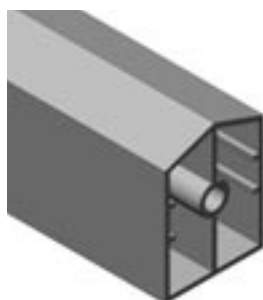
Material: PA6



Reference	E
FGRD 6A	6
FGRD 18A	18

Aluminium profile FGRN 3U

for making a spacer.



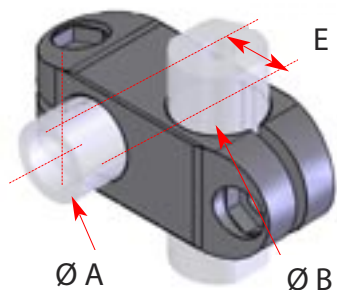
Plastic plug FGRD 3D

Th.=3mm
For profile below



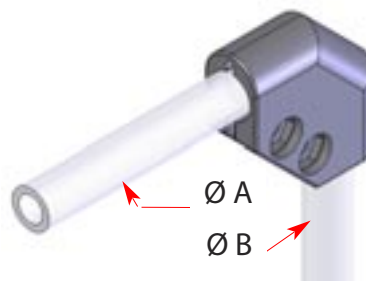
/ ASSEMBLY SHEAVES AND CORNER CONNECTORS

Assembly sheave



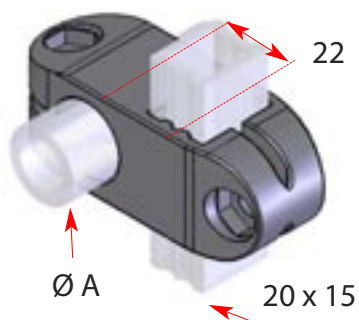
Reference	E	Ø A	Ø B	Fastenings
EO 12x12	16	12	12	Stainless steel
FGRB 18x18	22	18	18	Zinc plated steel
FGRB 18x20	22	18	20	
FGRB 20x20	22	20	20	
SGRB 18x18	22	18	18	Stainless steel
SGRB 18x20	22	18	20	
SGRB 20x20	22	20	20	
EO 20x20	25	20	20	

Corner connector



Reference	Ø A	Ø B	Fastenings
FGRX 18x18	18	18	Zinc plated steel
FGRX 18x20	18	20	
FGRX 20x20	20	20	
SGRX 18x18	18	18	Stainless steel
SGRX 18x20	18	20	
SGRX 20x20	20	20	

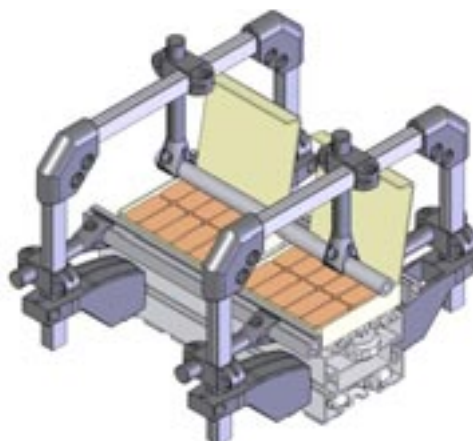
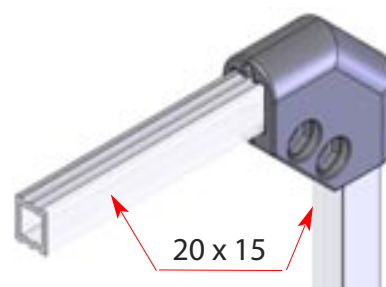
Assembly sheave



Reference	Ø A	Fastenings
FGRB 18X20T	18	Zinc plated steel
FGRB 20X20T	20	
SGRB 18X20T	18	Stainless steel

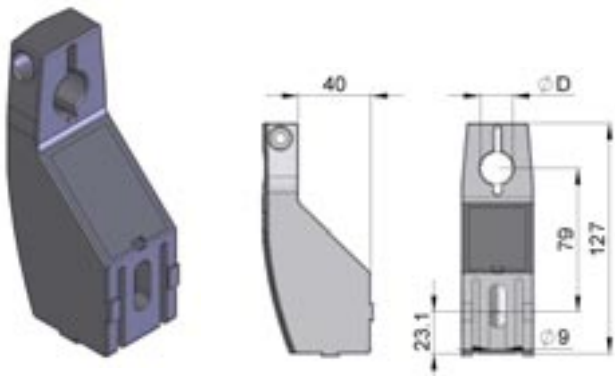
Corner connector FGRX 15x20

for FGRRF 3x20x15; zinc plated steel fastenings

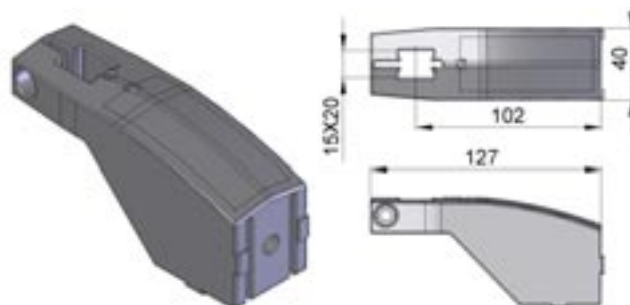


/ WIDTH ADJUSTABLE BRACKETS F/S-GRB / HEIGHT ADJUSTABLE BRACKETS FGRF

Lateral guide bracket or bar Ø 18 or Ø 20



Lateral guide bracket FGRB 40x15x20 for FGRF 3x20x15



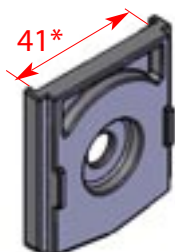
Reference	for bar Ø	Fastenings
FGRB 40x18	18	Zinc plated steel
FGRB 40x20	20	
SGRB 40x18	18	Stainless steel
SGRB 40x20	20	



Spacer FGRD 6B thickness 6.3mm

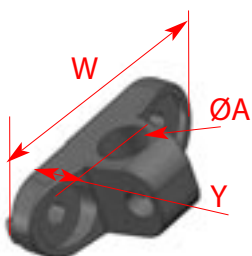
for brackets FGRB-40...

* the groove provides anti-rotation for the brackets of guides xGRB 40



Moulded guide bracket

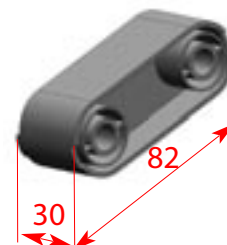
Clamping system by means of an M6 screw. To fix the bracket to the aluminium profile, use ØM8 mm nuts and bolts sold separately. Material: PA6



Spacer

FGRD 30B

for FGRF 40x18
thickness 30mm
2 holes Ø 9 centre
distance 52
Material: PA6



Reference	for bar ØA	W	Y	Fastenings
FGRF 40x18	18	82	17	Zinc plated steel
FGRF 40x12	12	56	20	

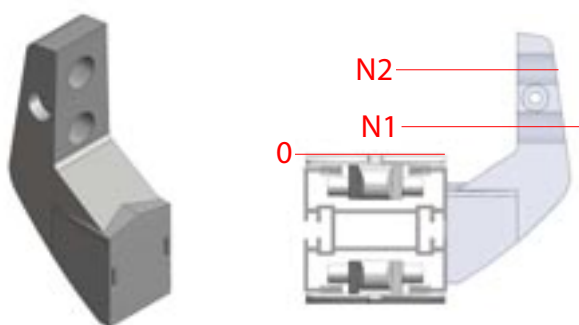
/ GUIDE FOR FGRF MOULDED BRACKETS

(1, 2 or 4 levels)

2 level lateral guide bracket

for bar Ø 18

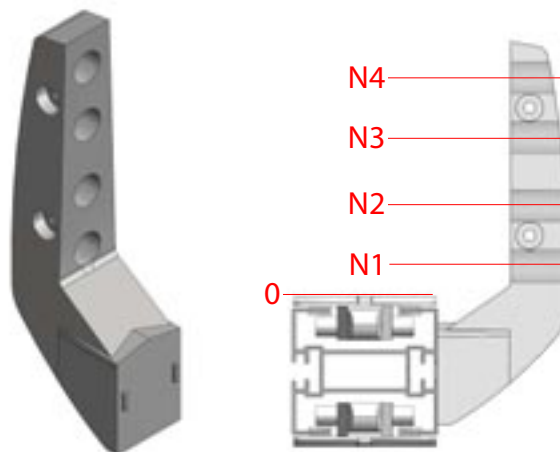
Reference	Fastenings
FGRF A35	Zinc plated steel
SGRF A35	Stainless steel



4 level lateral guide bracket

for bar Ø 18

Reference	Fastenings
FGRF A110	Zinc plated steel
SGRF A110	Stainless steel



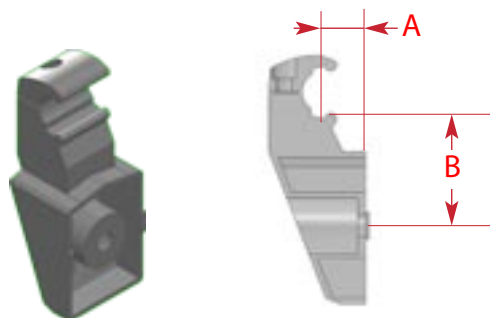
	Pin heights above the chain	
	N1	N2
FK - FS	26	61
FM - FC	19	54
FL	16	51
F2-	23	58

	Pin heights above the chain			
	N1	N2	N3	N4
FK - FS	26	61	101	136
FM - FC	19	54	94	129
FL	16	51	91	126
F2-	23	58	98	133

Single level lateral guide bracket

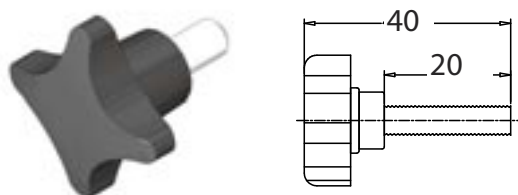
(plastic) for bar Ø 18

Reference	A	B
FGRB 11x30C	11	30
FGRB 16x42C	16	42
FGRB 16x54C	16	54
FGRB 40x42C	40	42



Tightening knob FGAR 6x20

for lateral guide brackets ...GRF-A...



Plug FGRF DP

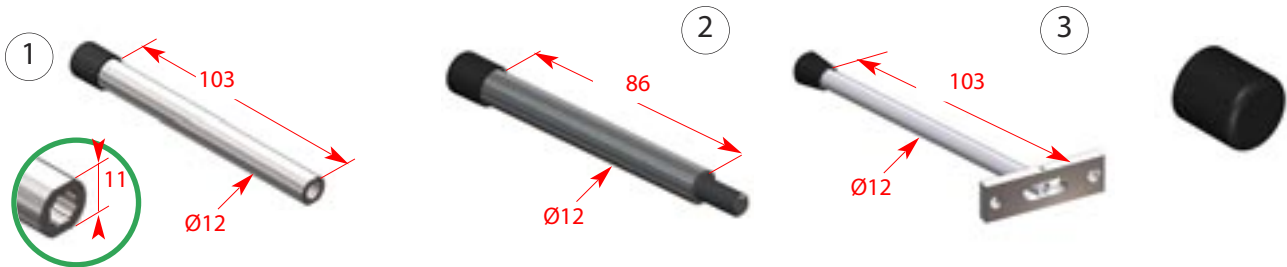
for lateral guide brackets ...GRF-A...



/ PINS Ø12 FOR BRACKETS GH5

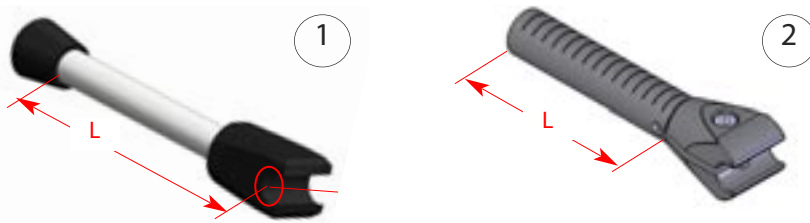
Reference	Pin	Materials	Figure
AF12/8 120CC	Ø 12 pins threaded M8	aluminium	1
AF720CC	Ø 12 threaded M8	Stainless steel	2
AFPOCC	Ø 12 with swivel plate (80x25x8 + 2 holes Ø8.5)	aluminium	3

End-CCD12
For pins Ø12



/ PINS AND CLAMPS COMBINED

Reference	Pin Ø	L	Guide: bar Ø	Materials	Figure
AF710CC	12	120	10	S/s pin, PA clamp	1
AF712CC	12	120	12		
SGRK 12x80A	18	80	12	PA pin and clamp, stainless steel fasteners	2
SGRK 12x130A	18	130	12		



/ GUIDE HOLDER CLAMPS

Guide holder clamp

FGRC 20

also used to fix
a cell to FGRRF 3x20x15 or FGRR 3x20x10
profile
hole Ø 8.5
Material: Aluminium

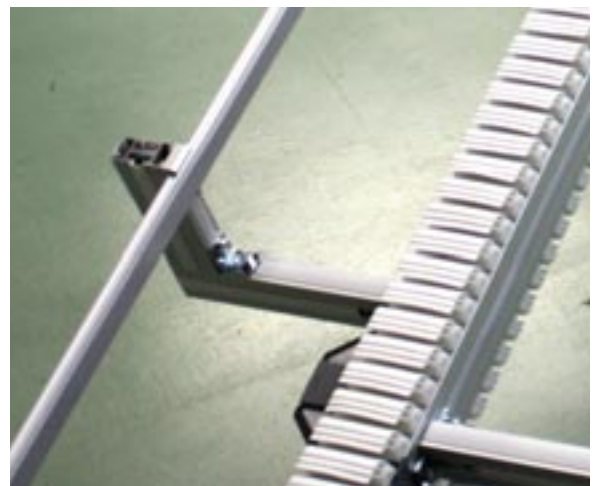


Guide holder clamp

FGRC 20A

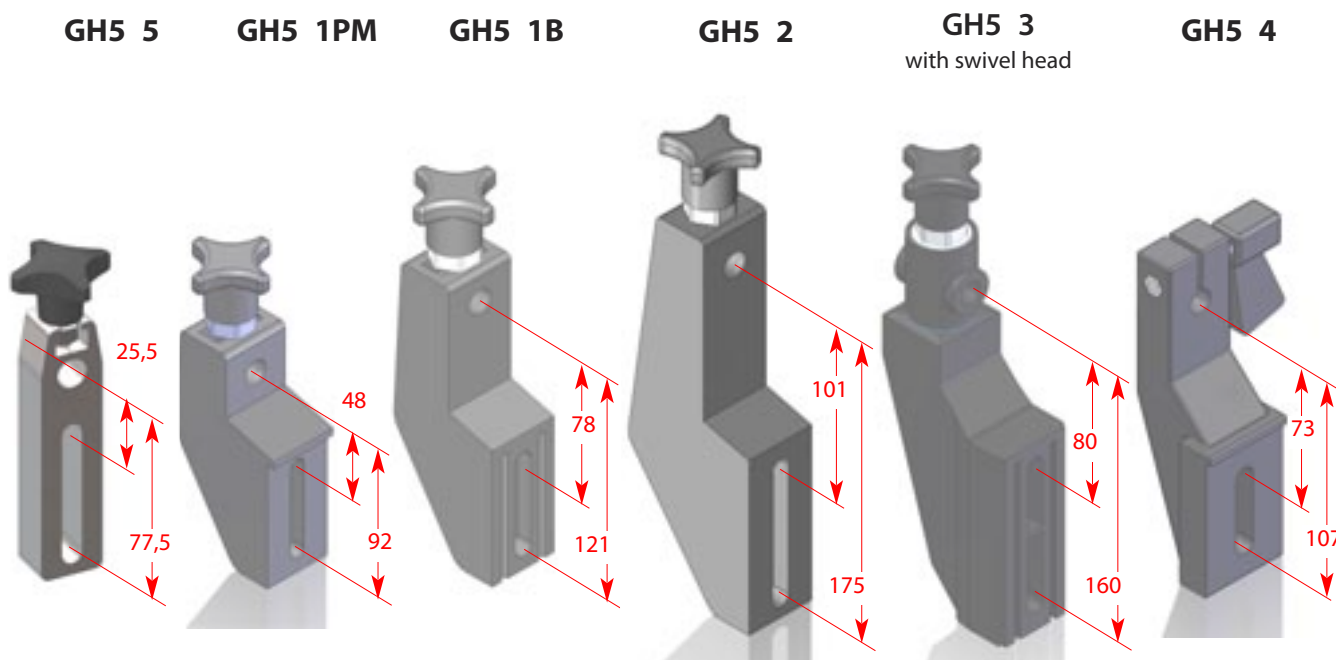
for FGRRF 3x20x15 or FGRR 3x20x10 profile
hole for M8 screw F/45°

Material: Aluminium

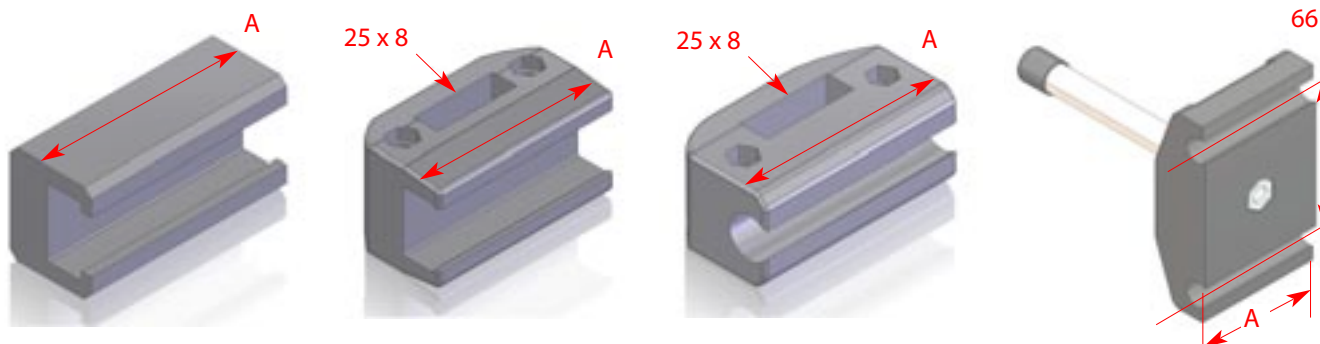


/ PRODUCT GUIDE ADJUSTABLE IN HEIGHT AND WIDTH MOULDED BRACKETS GH5, PLASTIC CLAMPS

Lateral guide brackets GH5... for bar Ø 12



Plastic clamps



Reference	EL 30	EL 60	EL 92	EL 72	PSR 66 104 CC
A	30	60	59	59	54
material	machined POM		moulded PA6	moulded PA6	moulded PA6 + s/s bar Ø12
for	frames C2010...		frames C2010...	S/s bar Ø12	S/s bar Ø12

Spacer FGRD 6B

th. 6mm for brackets GH5. This shim also performs the anti-rotation function for the bracket with Flexmove and Flextoo conveyors



Thrust collars for lateral guiding or motor shafts or conveyor idlers



Reference	A
BAGUE D ARRET D12	Ø12
BAGUE D ARRET D20	Ø20
BAGUE D ARRET D25	Ø25
BAGUE D ARRET D30	Ø30
BAGUE D ARRET D40	Ø40
BAGUE D ARRET SQ40	40x40

/ ACCESSORIES FOR ROBUR®

ATTACHMENT IN THE SIDE GROOVE

The connection with these conveyors is by attachment in the dovetail groove, by an aluminium clamp, a moulded plastic clamp or a dovetail nut.

Anodized aluminium clamps

thickness 25.4

These clamps allow

- many possibilities of machining (drilling, etc.)
- larger lateral forces.

The clamps can be clipped over the groove cover.

Stainless steel Ø M8 screws. Threaded holes Ø M8.

Reference	A	figure
R1 SL32-SL40	40	1
R2 SL32-SL40	40	2

Plastic clamps,

Clamps can be clipped over the groove cover.

Stainless steel fastenings Ø M8

- moulded for lateral guide brackets.

Reference	A	figure
R1 SL1/21.5M	25	3
R2 SL1/17M	40	4

machined from black acetal for the cell bracket, reflector bracket, etc...

Reference	H	for Robur	Figure
R2 SL2-H65	65	low height	5
R2 SL2-H86	86	standard height	

Spacers R2 SLA... for R2SL1/17,

Reference	E	figure
R2 SLA 8	8	6
R2 SLA 13	13	
R2 SLA 18	18	
R2 SLA 20	20	
R2 SLA 23	23	
R2 SLA 28	28	
R2 SLA 30	30	
R2 SLA 33	33	
R2 SLA 38	38	
R2 SLA 40	40	
R2 SLA 48	48	

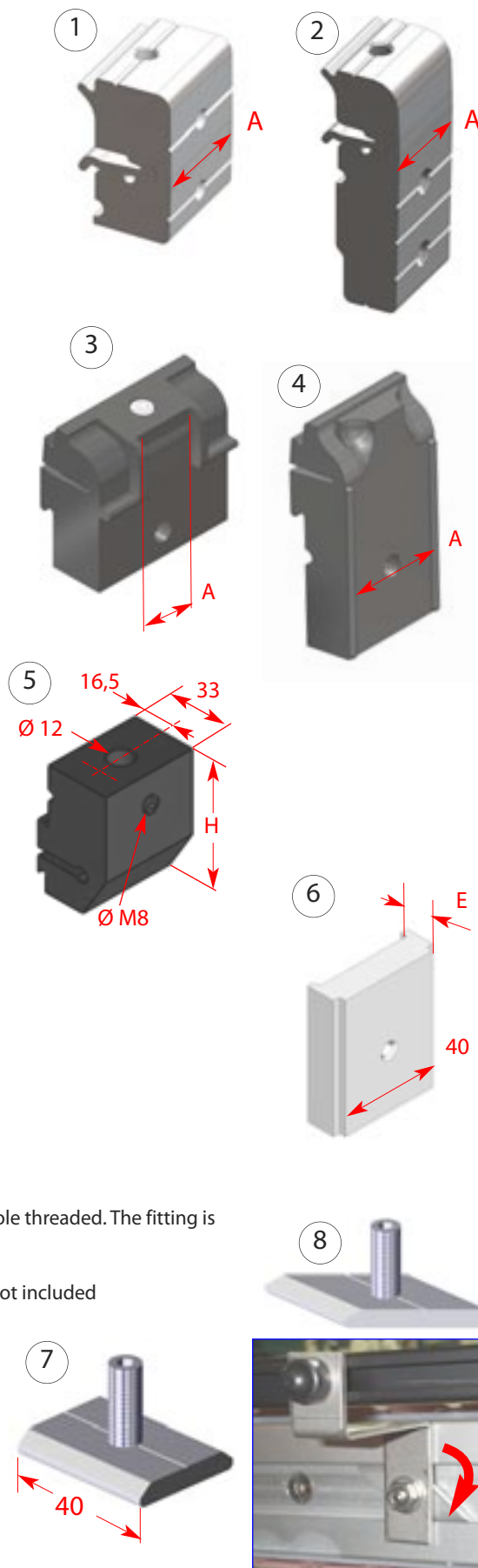
Nuts for dovetail for Robur conveyors

These nuts allow accessories to be installed while saving space and cost. Central hole threaded. The fitting is generally done using an HC screw (headless) locked in the bottom of the dovetail.

The set [screw + nut] then behaves like a dowel.

The installation of the groove covers is only possible between these nuts. Screws not included

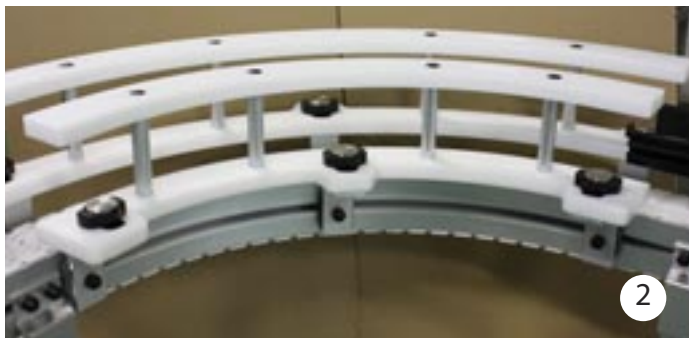
Reference	material	Ø thread	use	Fig.
ECQA 40 M6	aluminium	M6	to thread	7
ECQA 40 M8	aluminium	M8		
ECQA 40 M8 ACIER	steel	M8		
ECQA/45 M6	aluminium	M6	to rotate	8
ECQA/45 M8	aluminium	M8		
ECQA/45 M8 ACIER	steel	M8		



/ PRODUCT GUIDING BY FORMAT TOOLS

• FIXED WIDTH, ROTOBLOC MOUNTINGS

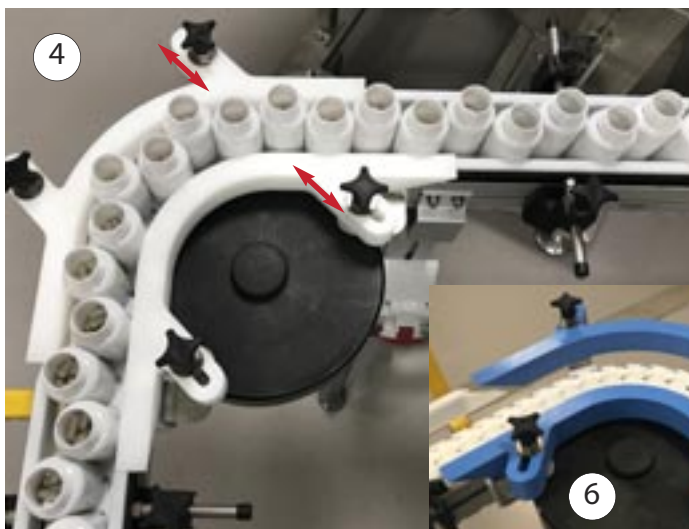
Our quick dismantling product guiding system guides your products over all the ranges of conveyors. Its Rotobloc locking system facilitates your changes in format and reduces your intervention time. The locking / unlocking works by rotating fixing knobs. The ROTOBLOC system is also available for your format tools on your packaging machines.



- 1 Curved and side transfer guides
- 2 Curved guides with 2 levels
- 3 2-level format tooling nested on rotating plates

• ADJUSTABLE WIDTH

The bevelled ends and mounting holes allow for adjustment to suit a range of passage widths without changing the guide. Different width ranges can be considered with one or more additional tool sets (image 6).



- 4-6 Adjustable bevelled curved guides combined with straight profiles
- 5 Adjustable bevelled curved guides combined with side transfer guides

The format parts are designed by our design office. Please do not hesitate to contact us if you have any questions. Different colours* of guides make it possible to match them with the other format tools of the line.

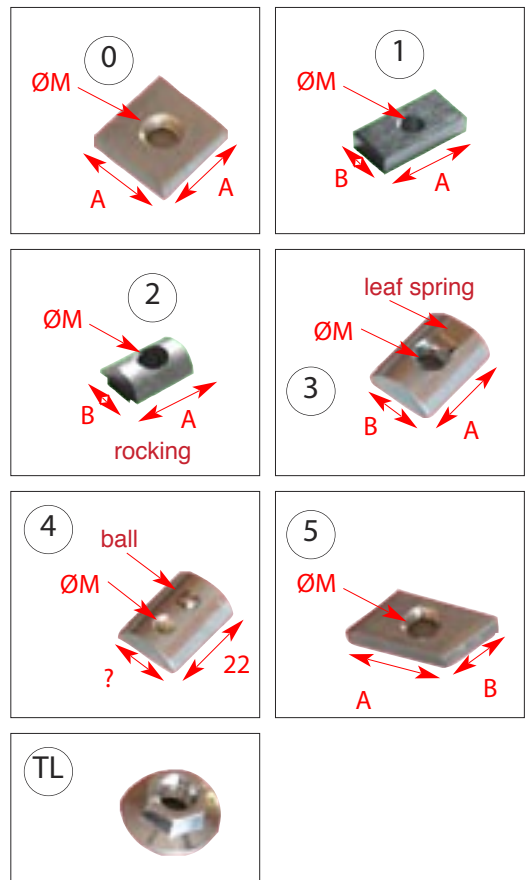
*available colours:

black	RAL 1018	RAL 2009	RAL 3009	RAL 3020
white	RAL 4003	RAL 5015	RAL 6024	RAL 7037

/ FASTENERS

Nuts (in zinc coated steel, packed in boxes of 50 pieces)

Reference	Name / Application	Fig.	Dimensions			
			ØM	A	B	th.
FASN M4	Square nuts for T-shaped grooves of Flextoo® and Flex conveyors (except for F45)	0	4	20		4
FASN M5			5	20		4
FASN M6B			6	19		4
FASN M6 25				25		6
FASN M8			8	19		4
FASN M8 25			8	25		4,5
FASN M6	same for Flextoo only		6	20		5
F45RN M6	Nuts for T-shaped grooves of F45CB3 profiles	1	6	25	12	5
F45AN M6		2	6	16	11	5,5
F45AN M5B		3	5	20		
F45AN M6B			6	20		
FCAN 6	Nuts for T-shaped grooves of TC44, TC64, TC44x88, TC88 profiles	4	6	22	16	7
FCAN 8			8			
ECB 4			4			
ECB 5			5			
ECB 6			6			
ECB 8			8			
FAHN M6	Lozenge nuts for profile T-shaped grooves (except for FBSB24... and KPS)	5	6	20	13	4
FAHN M8			8	19	13	5
ECROU TWOLOCK M6	Nuts with integral lock washer	TL	6			
ECROU TWOLOCK M8			8			

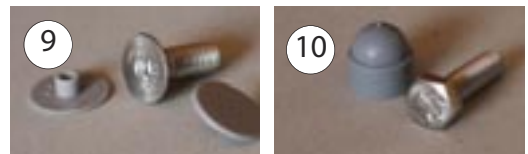
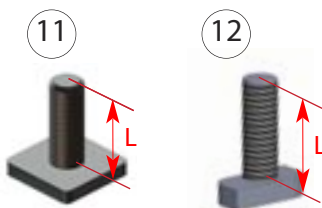


Square and hammer head screws M8 for T-shaped groove.

(Packed in boxes of 50 or 100 pieces)

The square head fits into the groove during assembly, the hammer head can be inserted without disassembly.

Length L	Square head fig. 11	Hammer head fig. 12	
		Zinc-plated steel	Stainless steel
17		FATB 17	FATBX 17
20	FASB 20	FATB 20	FATBX 20
24		FATB 24	FATBX 24
35	FASB 35	FATB 35	FATBX 35
53		FATB 53	FATBX 53
71		FATB 71	FATBX 71

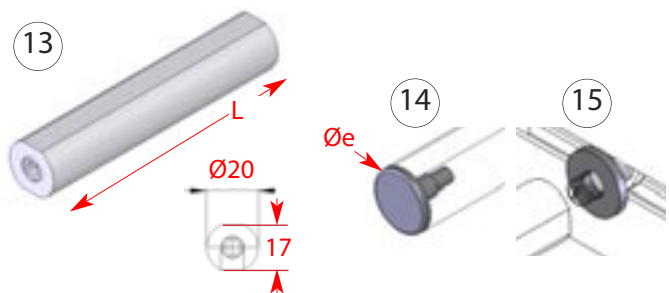


Cache-vis FHC Cache-écrou H	colour	ØM	Fig.
CACHE VIS FHC6 GRIS	grey	6	9
CACHE VIS FHC6 NOIR	black		
CACHE VIS FHC8 GRIS	grey	8	
CACHE VIS FHC8 NOIR	black		
CACHE-ECROU HM6 GRIS	grey	6	10
CACHE-ECROU HM6 NOIR	black		
CACHE-ECROU HM8 GRIS	grey	8	
CACHE-ECROU HM8 NOIR	black		

Aluminium tube, tappable M8, for adjustable lateral guides

The 2 flats allow the use of a 17 mm wrench.

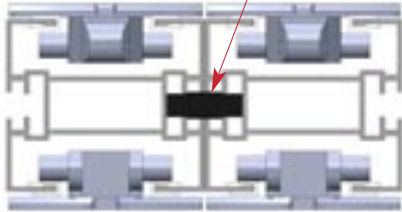
Dimensions	Aluminium tube & accessories	ØM	figure
L=80	FGDT 80	✓ Ø M8	13
L=100	FGDT 100		
L=150	FGDT 150		
L=200	FGDT 200		
L=3000	FGDT 3x20	x	
øe=20 E=2,4	Bouchon FGEC 20	x	14
Ø22/Ø8,5 E=3	RONDELLE PA 8/20	x	15



/ MISCELLANEOUS ACCESSORIES

Spacers for juxtaposition of conveyors

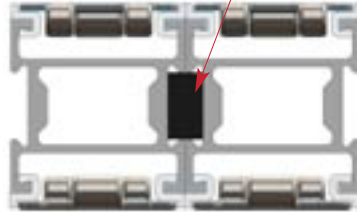
For T-shaped groove
(Flexmove / Flextoo)
Reference CJF2 FM



Spacers for juxtaposition of conveyors

For dovetail (Robur / Cobral)

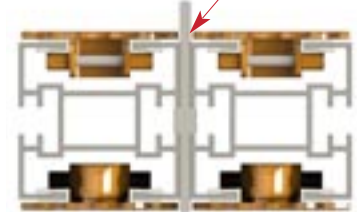
Reference CJR C



Separation profile between conveyors

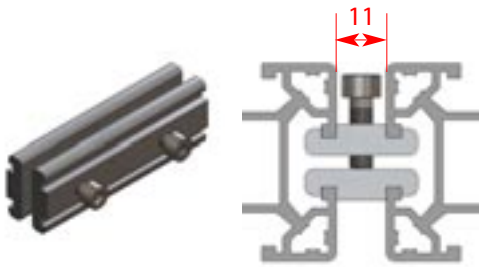
(Flexmove / Flextoo)

Reference FGCD 3
unitary length 3m.

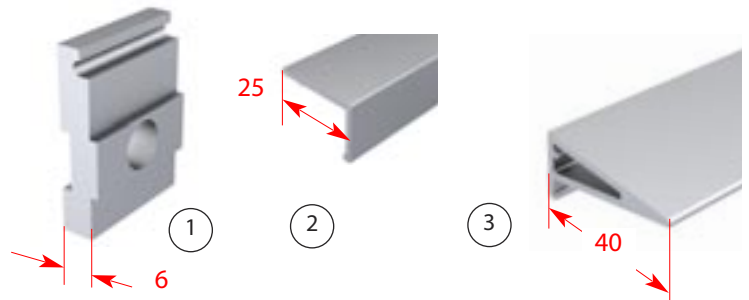


Juxtaposition clips

	Reference
Between structural tubes	FBFP 75 (M6x15)



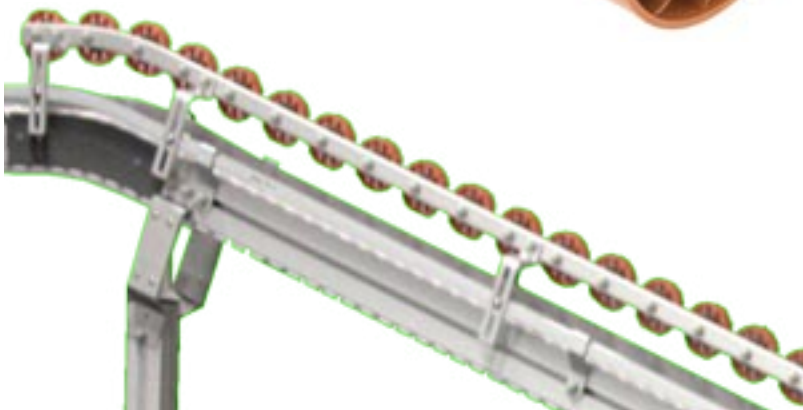
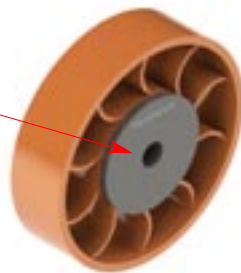
Stabiliser	Reference	Figure
Mounting shim	FGRD 6P	1
Tablets unitary L 3m	FSRP 3	2
	FCRP 3	3
Curved tablets		
90° for FSWB 90R150A	FSRM90	2
90° for FCWB 90R170A	FCRM90	3
180° for FSWB 180R150A	FSRM180	2
180° for FCWB 180R170A	FCRM180	3



Soft wheels Ø75

for contact with products transported by inclined conveyors, central hole Ø8.5

Material	Reference
Foam	FASR 75x15M
Soft PVC	FASR 75x19P



Swivel stops

Examples of production

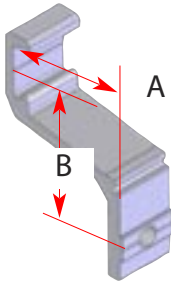


CONICAL STOP
for light loads



SWIVEL STOP
for heavy loads

/ FGRB FIXED ALUMINIUM BRACKETS AND FGRD SPACERS

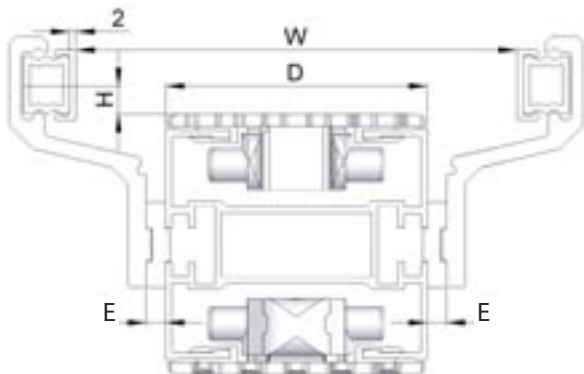


Aluminium brackets FGRB...

- for
- FGRRF 3x20x15 ,
 - FGRRF 3x20x10 and
 - FGRRF 3x20x12
- FGAP-25** pin included

FGRB-...	11x30	23x30	35x30	48x30	29x36	16x42	28x42	40x42	49x42	53x42	65x42	90x42	16x54	40x54	65x54	
A	11	23	35	48	29	16	28	40	49	53	65	90	16	40	65	
B	39				45	51						63				
Conveyor	W1***	Passage width W* (E=0)														
FK	45	56	80	106	68	42	66	91	108	116	140	190	42	91	140	
FS	65	76	100	126	88	62	86	111	128	136	160	210	62	111	160	
FM							106	131	148	156	180	230	82	131	180	
FC							126	151	168	176	200	250	102	151	200	
FL							171	191	208	216	240	290	142	191	240	
F2-750						224	248	272	290	298	322	372	224	272	322	
F2-1200						339	363	387	405	413	437	487	339	387	437	
F2-1500						415	439	463	481	489	513	563	415	463	513	
F2-1800						491	515	539	557	565	589	639	491	539	589	
F2-2400						644	668	692	710	718	742	792	644	692	742	
CAB 6						163	187	211	229	237	261	311	163	211	261	
CAB 9						240	264	288	306	314	338	388	240	288	338	
CAB 12						316	340	364	382	390	414	464	316	364	414	
CAB 15						392	416	440	458	466	490	540	392	440	490	
CAB 18						468	492	516	534	542	566	616	468	516	566	
CAB 21						544	568	592	610	618	642	692	544	592	642	
CAB 24						621	645	669	687	695	719	769	621	669	719	
Guide height H above chain plane																
FK and FS	3 (not usable on inside of curves with wheels)				9	14						26				
FM-FC-FL						7						19				
F2-						11						23				
CAB*						16 (CAB), 18 (CAB-SB)						28 (CAB), 30 (CAB-SB)				

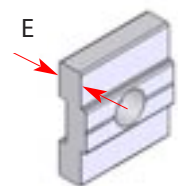
- *Height H:
- above balls for CAB (with QNB- Ball belt)
 - for CAB-SB, with smooth belt or belt with pitch of 25.4



Spacers

other thicknesses to order

Reference	E
FGRD 6	6,3
FGRD 10	10
FGRD 12	12
FGRD 15	15
FGRD 20	20
FGRD 30	30

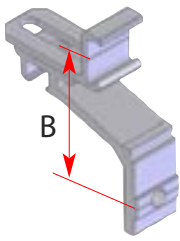


*Passage width with FGRRF-3x20x15 covered with plastic profile FGRT-3x23, without spacers (E=0).

Width corrections for other combinations:		Compatible with FGRB-...			
		...11x30 to 48x30	29x36	...16x42 to 90x42	16x54 & 40x54
• FGRRF 3x20x15 not covered:	W + 3 mm	✓	✓	✓	✓
• FGRR 3x20x12 covered:	W + 6 mm	✗	✗	✓	✓
• FGRR 3x20x12 not covered:	W + 9 mm	✓	✓	✓	✓
• FGRR 3x20x10:	W + 13 mm	✓	✓	✓	✓

*** For bracket FGRB 11x30 only profile FGRR-3x20x10 can be used, dimension W1 gives the corresponding passage width. For Flextoo® and CAB conveyors the height H is measured with the bracket fixed in the top groove.

/ FGRA ADJUSTABLE ALUMINIUM BRACKETS

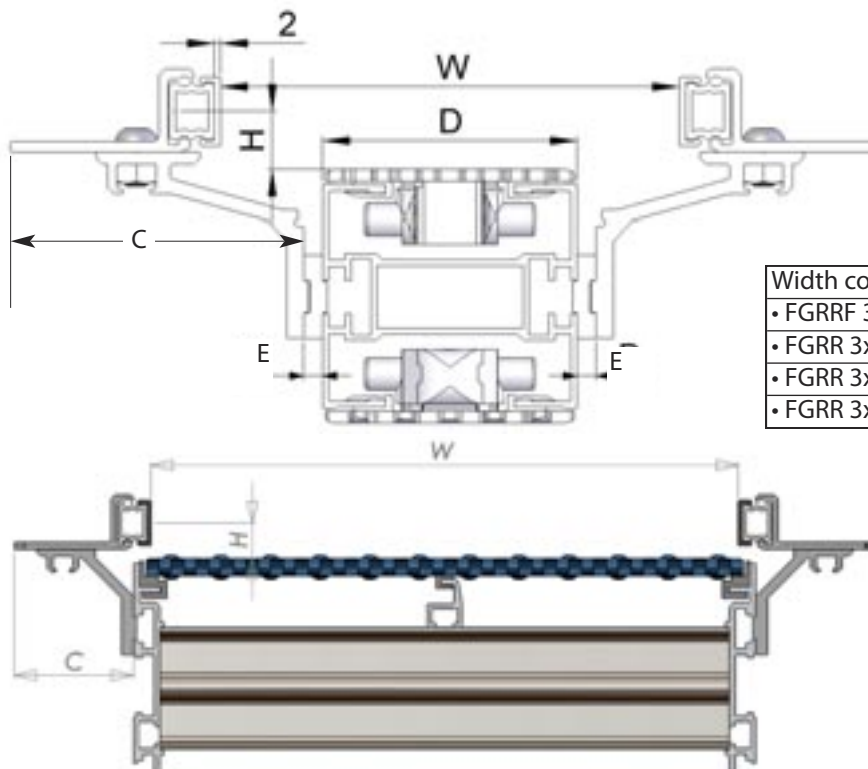


FGRA... adjustable aluminium brackets

- for
- FGRRF 3x20x15 ,
 - FGRRF 3x20x10 and
 - FGRRF 3x20x12
- FGAP-25 pin included

- *Height H:
- above balls for Cab (with QNB- Ball belt)
 - for CAB-SB,
 - with smooth belt or belt with pitch of 25.4

FGRA...	8x9x45	8x39x45	26x9x45	26x39x45	16x30x52	41x9x52	41x30x52	16x30x64
C max.	23	62	49	73	75	75	100	75
B	54				61			73
Conveyor	Passage width W* (E=0)							
FK	9 - 27	0 - 29	45 - 61	0 - 51	0 - 43	88-103	33 - 105	0 - 43
FS	29 - 47	0 - 49	67 - 82	0 - 71	3 - 63	108-123	53 - 125	3 - 63
FM			85 - 101		23 - 83	128-143	73 - 145	23 - 83
FC			105 - 121		43 - 103	148-163	93 - 165	43 - 103
FL			150 - 166			193-208	138 - 210	
F2-750	191 - 209	135 - 211	227 - 243	155 - 233	165 - 225	239 - 283	215 - 287	165 - 225
F2-1200	306 - 324	250 - 326	342 - 358	270 - 348	280 - 340	354 - 398	330 - 402	280 - 340
F2-1500	382 - 400	326 - 402	418 - 434	346 - 424	356 - 416	430 - 474	406 - 478	356 - 416
F2-1800	458 - 476	402 - 478	494 - 510	422 - 500	432 - 492	506 - 550	482 - 554	432 - 492
F2-2400	611 - 629	555 - 631	647 - 663	575 - 653	585 - 645	659 - 703	635 - 707	585 - 645
CAB 6	133 - 151	76 - 146	168 - 186	112 - 182	94 - 154	168 - 200	144 - 204	94 - 154
CAB 9	210 - 228	153 - 223	245 - 263	189 - 259	171 - 231	245 - 277	221 - 281	171 - 231
CAB 12	286 - 304	229 - 299	321 - 339	265 - 335	247 - 307	321 - 353	297 - 357	247 - 307
CAB 15	362 - 380	305 - 375	397 - 415	341 - 411	323 - 383	397 - 429	373 - 433	323 - 383
CAB 18	438 - 456	381 - 451	472 - 491	417 - 457	399 - 459	473 - 505	449 - 509	399 - 459
CAB 21	514 - 532	457 - 527	549 - 567	496 - 563	475 - 535	549 - 581	525 - 585	475 - 535
CAB 24	591 - 609	534 - 604	626 - 644	570 - 640	552 - 612	626 - 658	602 - 662	552 - 612
	Guide height H above chain plane							
FK and FS	17				25		37	
FM-FC-FL	11			18		30		
F2-	15				22		34	
CAB ...(*)	19 (CAB), 21 (CAB-SB)				26 (CAB), 28 (CAB-SB)			38 (CAB), 40 (CAB-SB)



*Configuration with FGRRF-3x20x15 covered with plastic profile FGRT-3x23, without spacers (E=0).

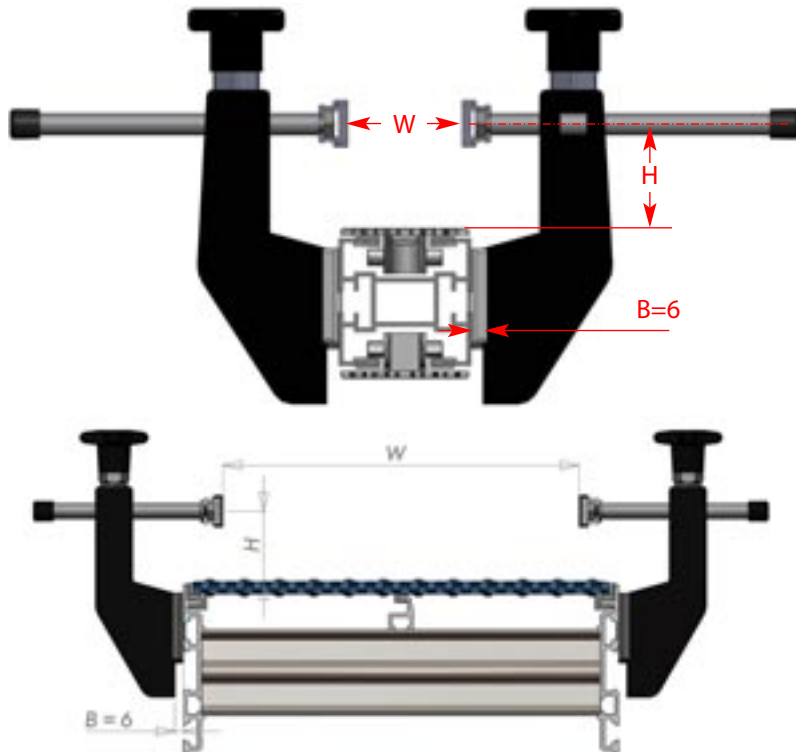
Width corrections for other combinations:	
• FGRRF 3x20x15 not covered:	W + 3 mm
• FGRR 3x20x12 covered:	W + 6 mm
• FGRR 3x20x12 not covered:	W + 9 mm
• FGRR 3x20x10:	W + 13 mm

In Flextoo®, and CAB conveyors the height H is measured with the bracket fixed in the top groove.

/ PRODUCT GUIDING: GH5 MOULDED BRACKETS

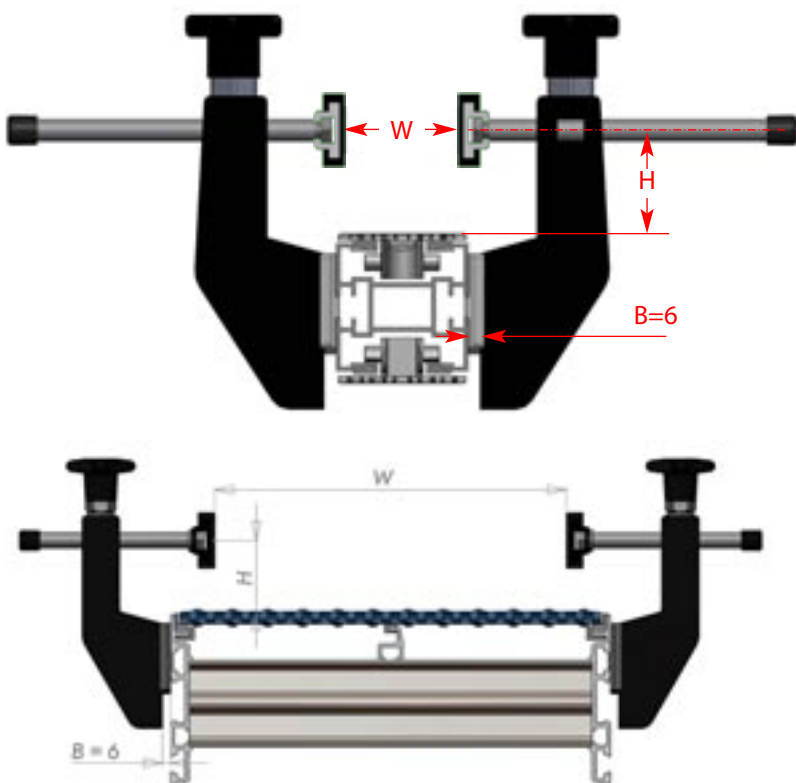
Examples of fitting on Flex or Flextoo, CAB and Flexinox; width between guides

Use of the combination: spacer FGRD-6B, moulded bracket **GH5-1 PM** or **GH5-1B**, aluminium pin AF 12/8-120 CC, screw HM8-20 + washer, profile FGRR-3x20x12 covered FGRT 3x23 (or 3x33)



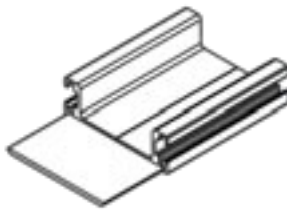
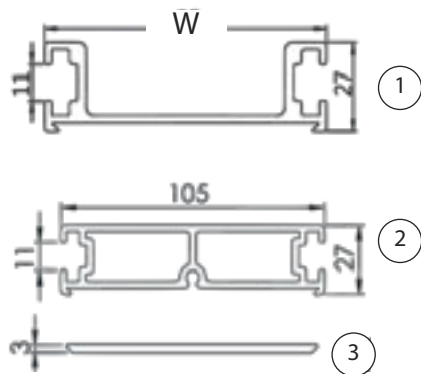
Bracket ->	GH5-1 PM		GH5-1B	
Conveyor	W (with B=6)	H	W (with B=6)	H
FK	0 - 85	12,5 -	0 - 81	43,5 -
FS-SS	0 - 105	57,5	0 - 101	83,5
FM-SM	0 - 125	12 - 51	0 - 121	37
FC-SC	4 - 145		5 - 141	-
FL	47 - 190		50 - 186	77
F2-750	124 - 267	12	127 - 263	41
F2-1200	239 - 382		242 - 378	
F2-1500	315 - 458	-	318 - 454	-
F2-1800	391 - 534	55	394 - 530	81
F2-2400	544 - 687		547 - 683	
CAB 6	53 - 207	12	45 - 207	41
CAB 9	130 - 284		122 - 284	
CAB 12	206 - 360		198 - 360	
CAB 15	282 - 436		274 - 436	
CAB 18	358 - 512		350 - 512	
CAB 21	434 - 588		426 - 588	
CAB 24	511 - 665		503 - 162	

Use of the combination: spacer FGRD-6B, moulded bracket **GH5-1 PM** or **GH5-1B**, aluminium pin AF 12/8-120 CC, screw HM8-20 + washer, frame AT30 covered FD7-1AN

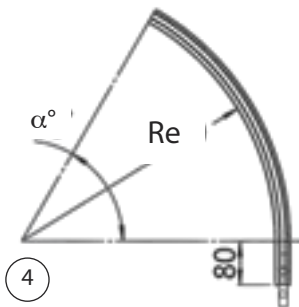


Bracket ->	GH5-1 PM		GH5-1B	
Conveyor	W (with B=6)	H	W (with B=6)	H
FK	0 - 80	21 - 57,5	0 - 76	43,5 -
FS-SS	0 - 100		0 - 96	83,5
FM-SM	0 - 120	21	0 - 116	37
FC-SC	4 - 140	-	5 - 136	-
FL	47 - 185	51	50 - 181	77
F2-750	124 - 262	21	127 - 258	41
F2-1200	239 - 377		242 - 373	
F2-1500	315 - 453	-	318 - 449	-
F2-1800	391 - 529	55	389 - 525	81
F2-2400	544 - 682		547 - 678	
CAB 6	48 - 201	12	40 - 201	41
CAB 9	125 - 278		117 - 278	
CAB 12	201 - 354		193 - 354	
CAB 15	277 - 278		269 - 430	
CAB 18	353 - 506		345 - 506	
CAB 21	429 - 582		421 - 582	
CAB 24	506 - 659		498 - 659	

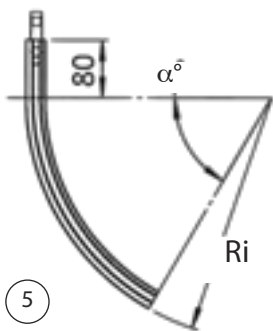
/ FRONT GUIDES FOR FLEX CONVEYOR



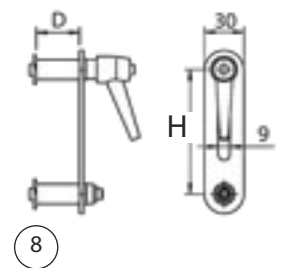
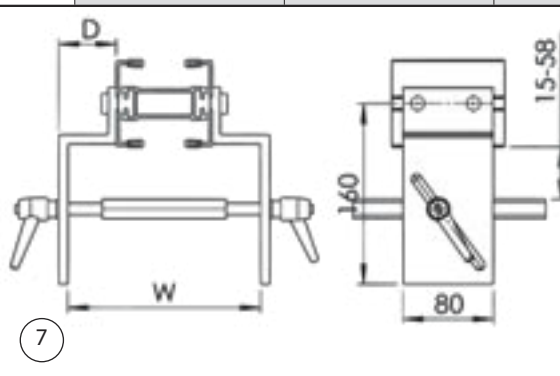
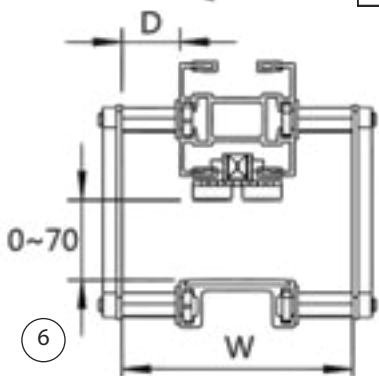
	Frame reference (unit length 3m)		Slip rail reference (unit length 2m)	W
for	Fig. 1	Fig. 2	Fig. 3	
FS	FSVF 3		FSVG 2	65
FM	FMVF 3		FMVG 2	85
FC		FCVF 3	FCVG 2	105

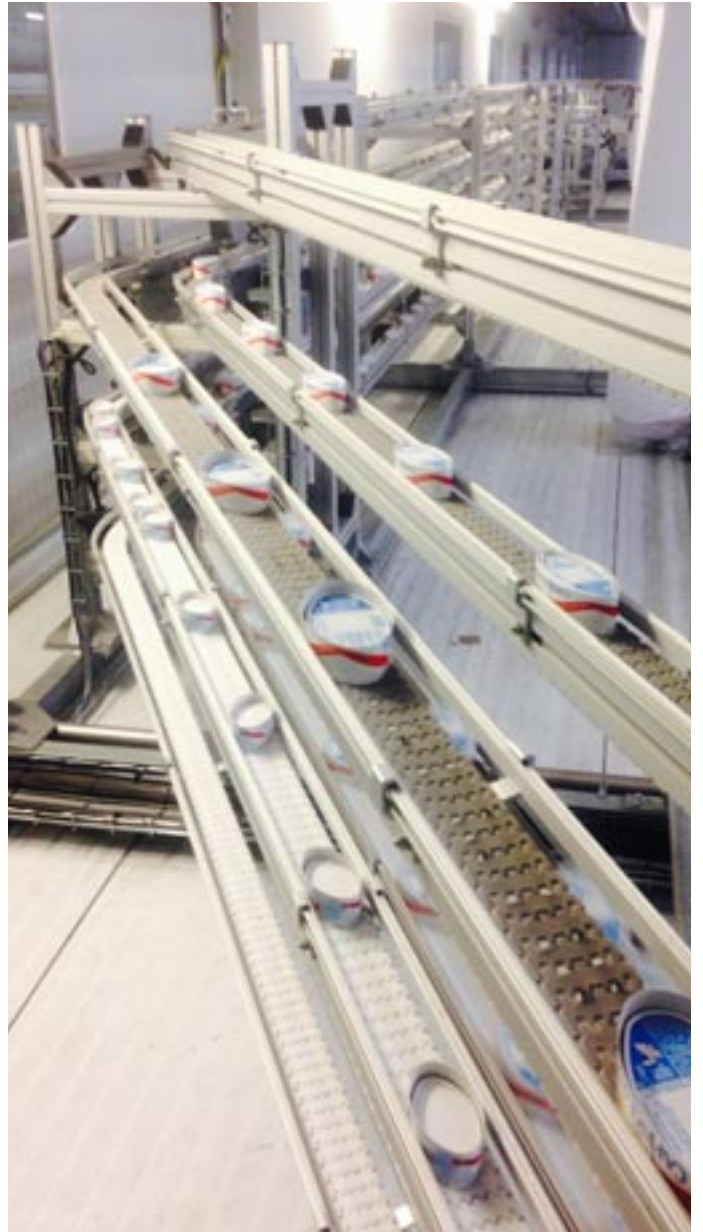
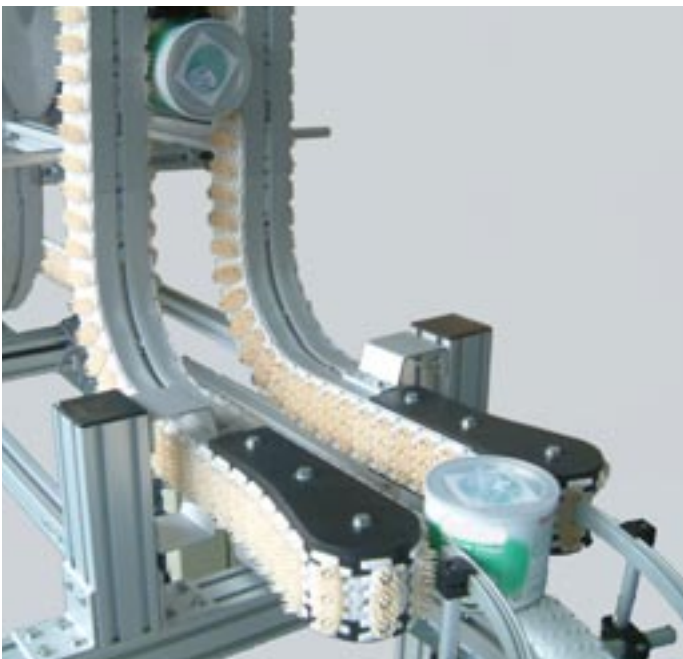
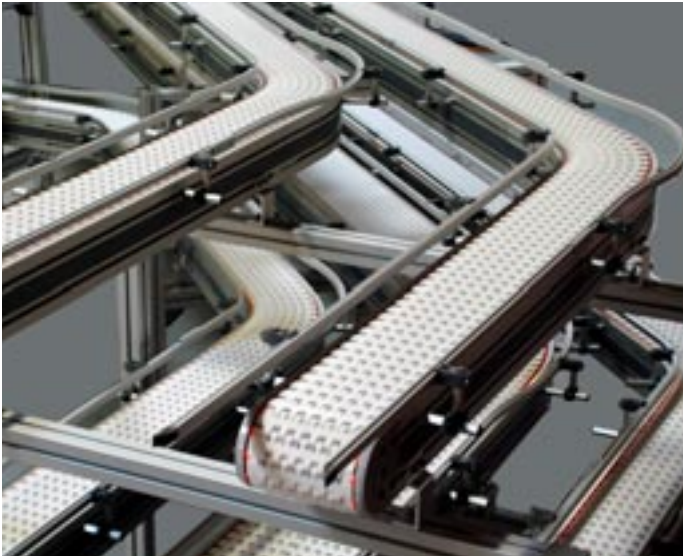


Formed frame reference									
		Outside			Inside			Re	Ri
for	alpha	Fig. 4			Fig. 5				
	α°	45°	60°	90°	45°	60°	90°		
FS		FSVA45 R352	FSVA60 R352	FSVA90 R352	FSVC45 R245	FSVC60 R245	FSVC90 R245	352	245
FM			FMVA60 R460	FMVA90 R460		FMVC60 R335	FMVC90 R335	460	335
FC			FCVA60 R460			FCVC60 R335			



		Mounting kit		Bracket	W	D	H
for	alpha	Fig. 6	Fig. 7	Fig. 8			
FS		FSVK33 FSVK58		FSVS33 FSVS58	130 180	33 58	95
FM			FCVK43 FCVK93	FCVS43 FCVS93	170 270	43 93	150
FC			FCVK43 FCVK93	FCVS43 FCVS93	190 290	43 93	





• LEGS FOR CONVEYORS



ELCOM / **FABER** / TRANSEPT

/ BRACKETS BETWEEN CONVEYORS & HORIZONTAL CROSS PIECES

Aluminium brackets FAHBS...

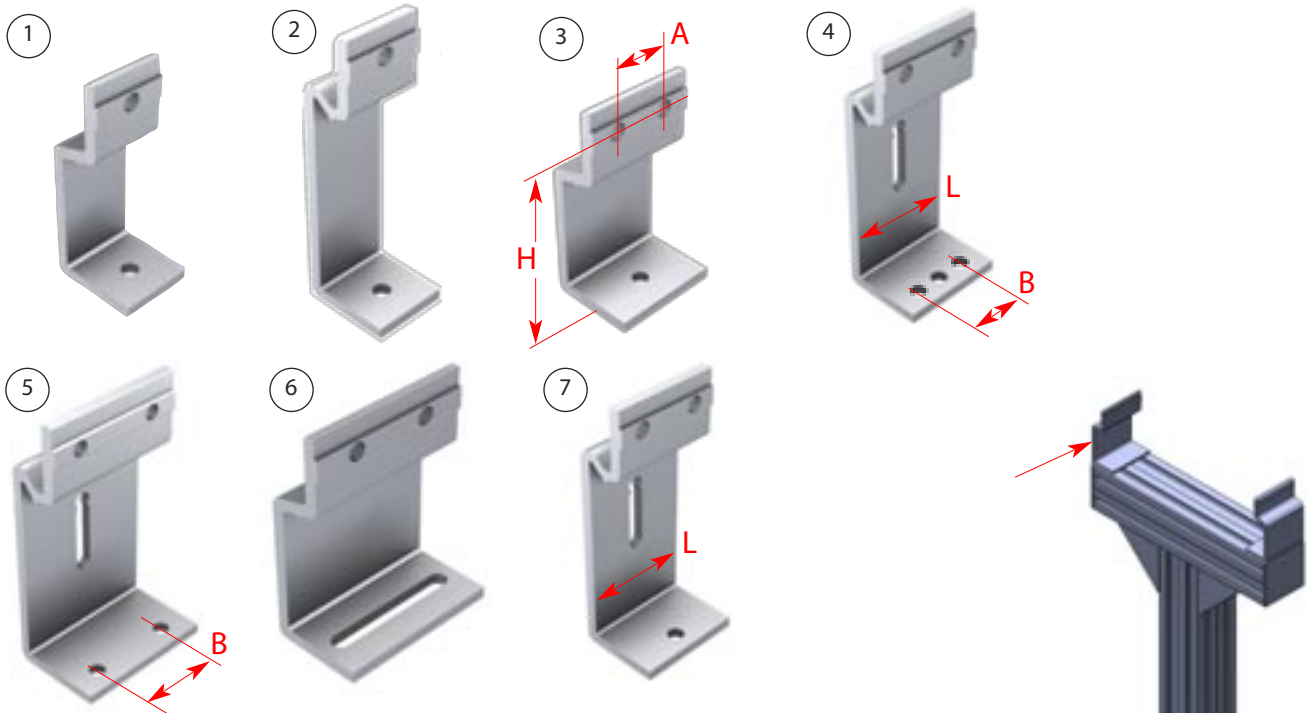
Mainly used between the horizontal cross piece and the conveyor legs.

Generally the width L corresponds to that of the cross piece. Holes or slots for fastenings Ø8 unless indicated otherwise.

Reference	L	H	A	B	Figure
FAHBS 40	40	99,5			1
FAHBS 40B		135			2
FAHBS 60	60	99,5	30		3
FAHBS 62B		135	34	44	7
FAHBS 62A	62	135	44		4
FAHBS 74A	74	100	44	44	5
FAHBS 74B		125			
FAHBS 74C		135			
FAHBS 74D*		158			
FAHBS 84	84	99,5	40		6

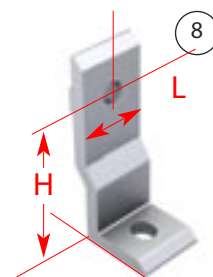


*FAHBS 74D: Use FATB 20 or FATB 24 screws for assembly



Attachment points to the outside

Reference	L	H	A	B	Figure
FGRB 22x63x40	40	61			8
FGRB 22x63x84	84		44	44	

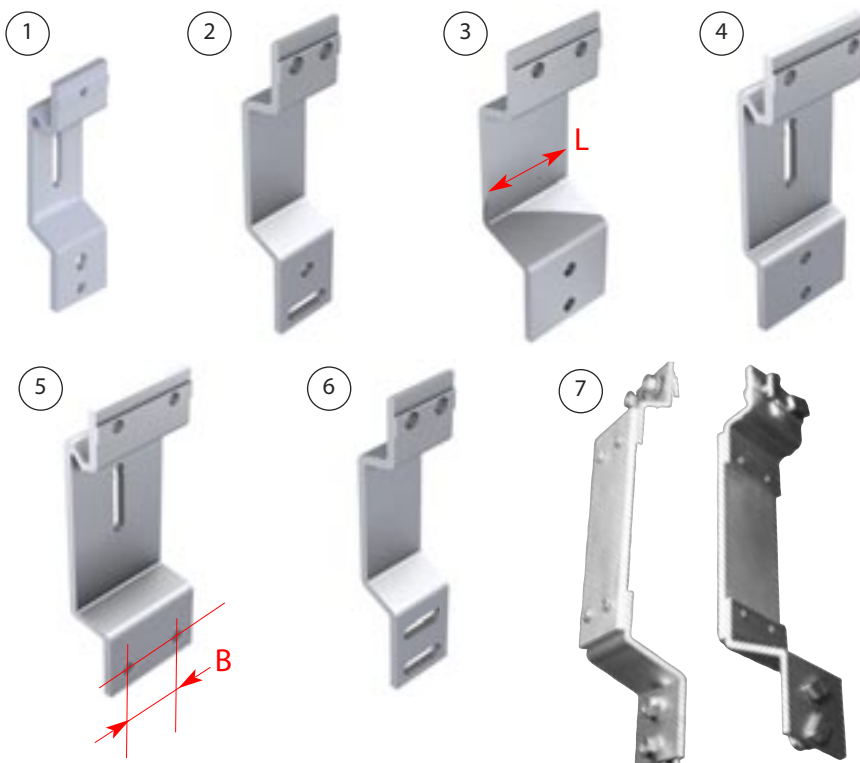


/ ATTACHMENT OF CONVEYORS TO VERTICAL TUBES

Aluminium brackets FAVBS...

mainly used between conveyors and vertical tubes.
Holes or slots for fastenings Ø8 unless indicated otherwise.

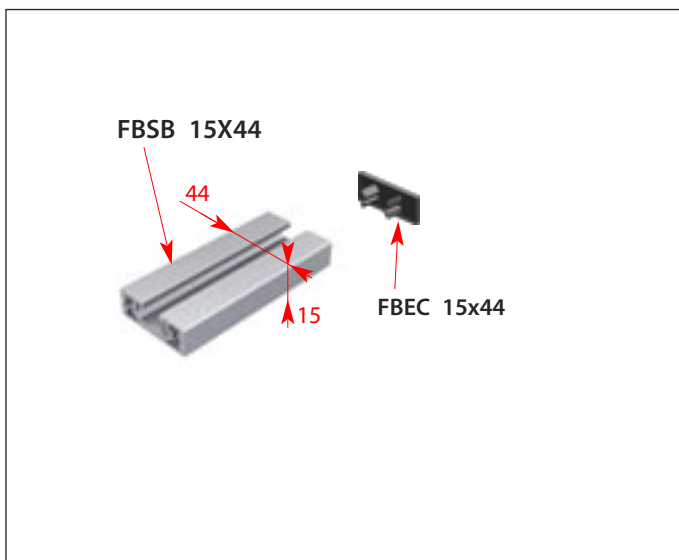
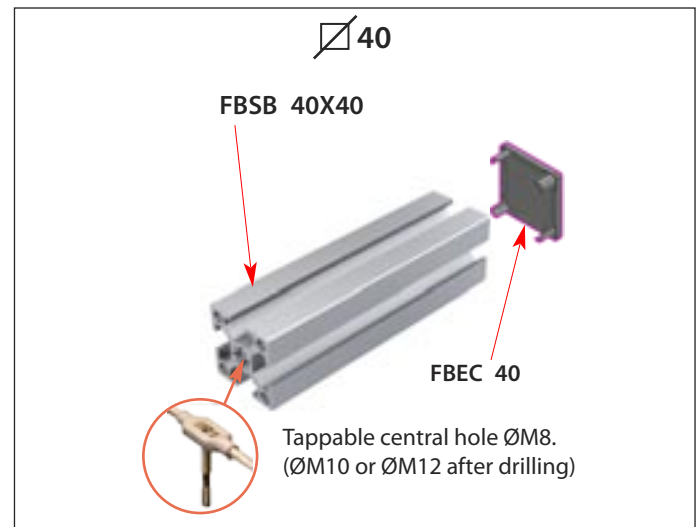
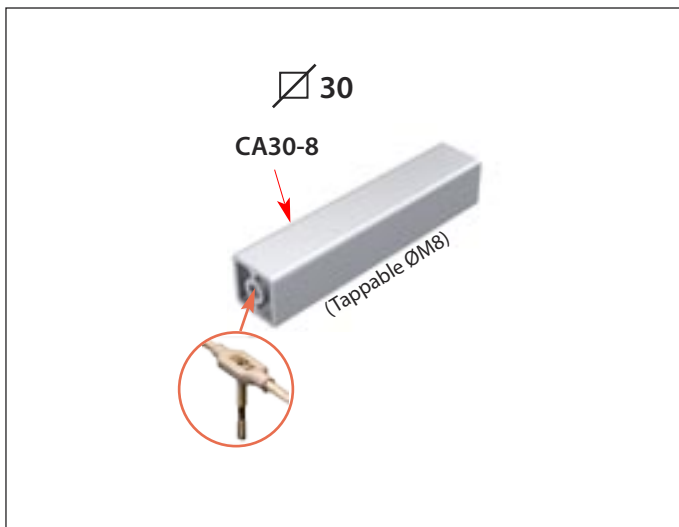
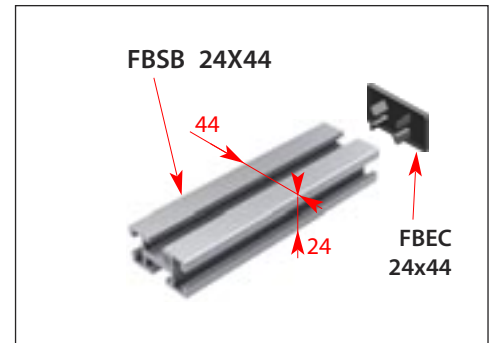
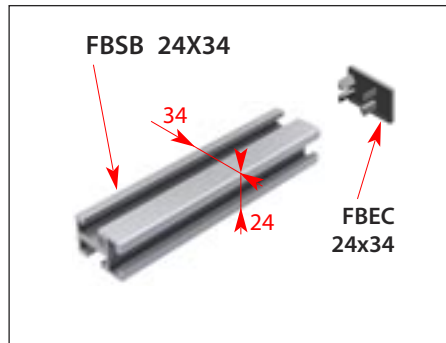
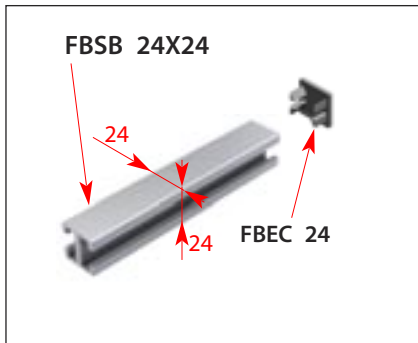
Conveyor	Vertical tube	Compatible - chute - cable raceway	Reference	L	B	Figure
F45	TC44	✗	F45VBS 42	42		1
FK			FAVBS 40S	40		2
FS			FAVBS 40M			
FK	TC64	✗	FAVBS 60K	60		3
FS			FAVBS 60S			
FM			FAVBS 60M			
FC			FAVBS 60C			
FK			FAVBS 60KV			
FS			FAVBS 60SV			
FM			FAVBS 60MV	64		4
FC			FAVBS 60CV			
FK			FAVBS 60K FA			
FS			FAVBS 60S FA			
FM	FAVBS 60M FA	74	44	5		
FC	FAVBS 60C FA					
FS	FAVBS 88S					
FM	TC88	✗	FAVBS 88M			
FC		✓	FAVBS 88C			



Legs

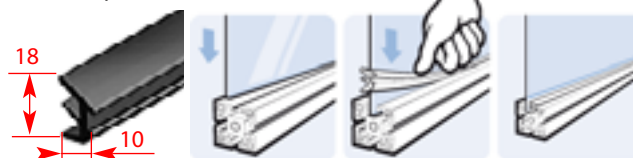
Custom-made for conveyors with
cleat chain for example

/ STRUCTURAL TUBES, END PIECES FOR ALUMINIUM PROFILE, PROFILES FOR HOUSINGS

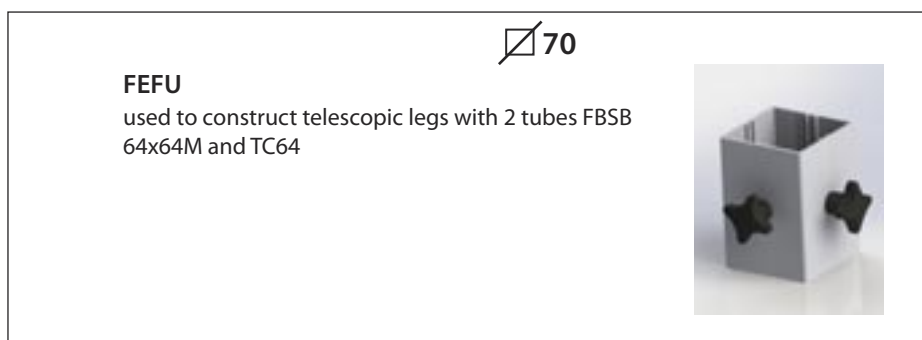
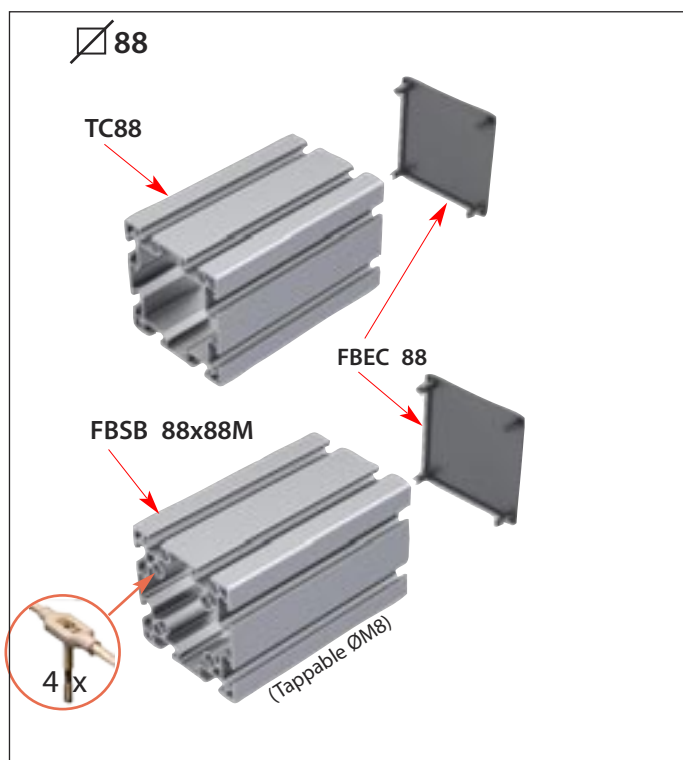
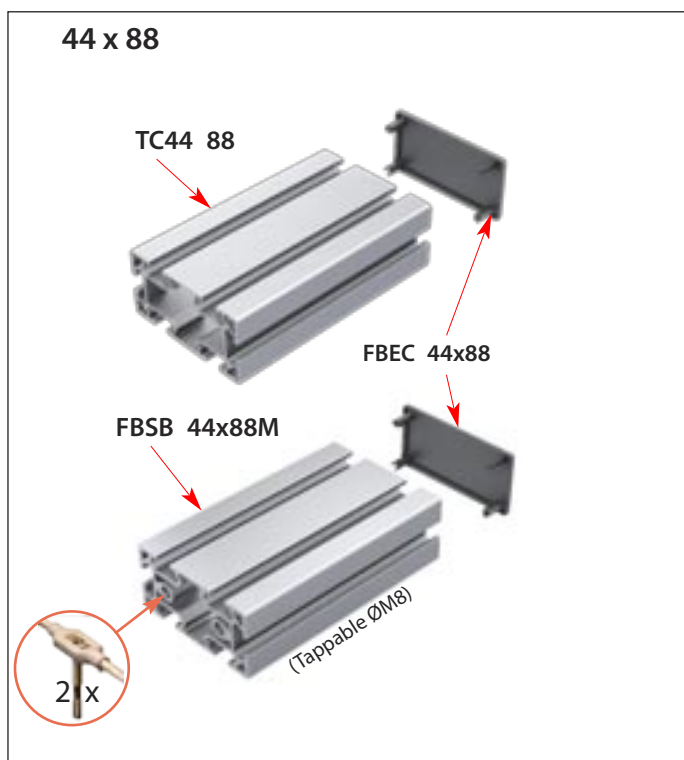
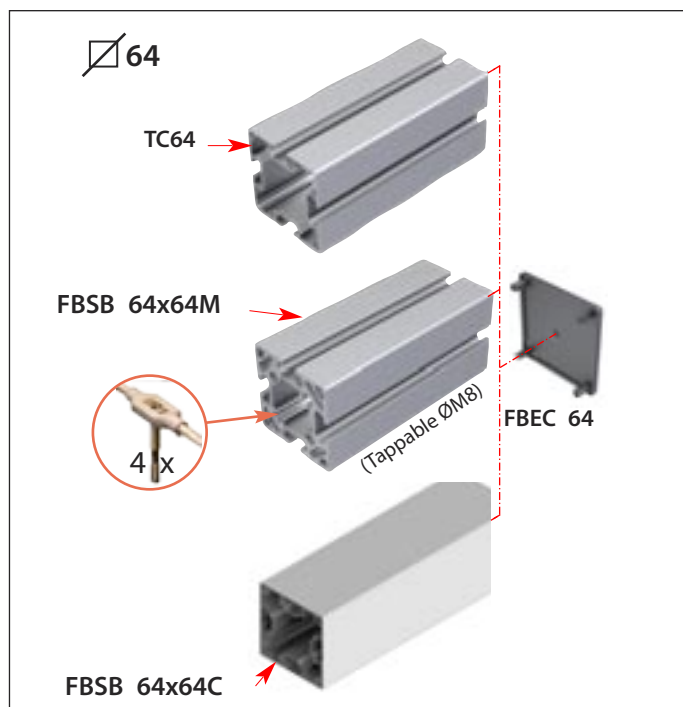


Profile for housing JEC4 11

Allows installation of a panel th. 4 to 7 mm into the 11 mm groove in our profiles



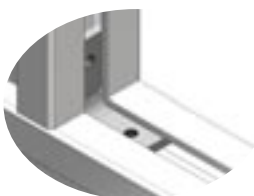
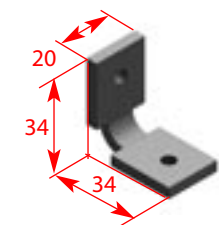
/ STRUCTURAL TUBES, END PIECES FOR ALUMINIUM PROFILE, PROFILES FOR HOUSINGS



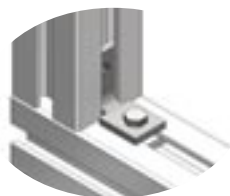
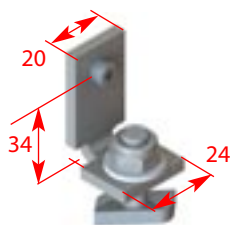
sgst

/ ZINC PLATED STEEL BRACKETS FOR STRUCTURAL TUBES

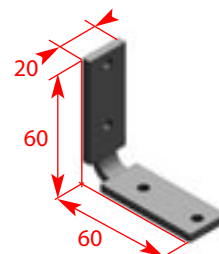
FBRX 20A
thickness 4 mm
2 M8 pressure screws included



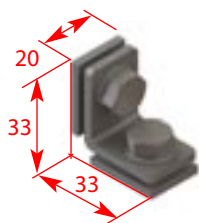
FBRX 20B
thickness 4 mm
1 M8 pressure screw and 1 M8 bolt included



FBRX 20C
thickness 4 mm
4 pressure screws included

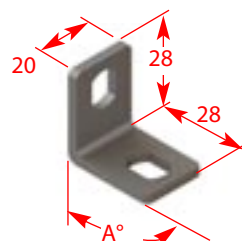


FBRY 20
thickness 3 mm
2 HM8 screws included

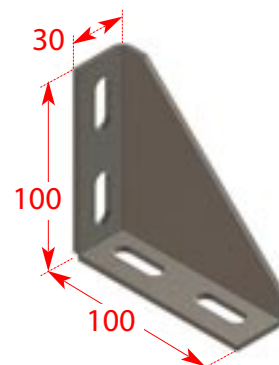


Reference	A
FBRY 20A	90°
FBRY 20x45A	45°

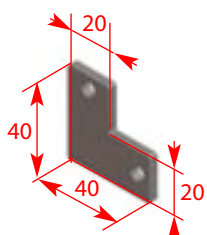
thickness 3 mm, without fastenings, holes
8.5 x 11



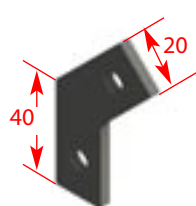
FBFA 100A



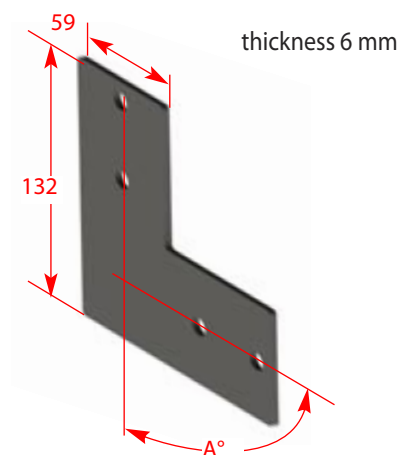
FBRW 20
thickness 4 mm
2 M8 pressure screws included



FBRW 20X45
thickness 4 mm
2 M8 pressure screws included



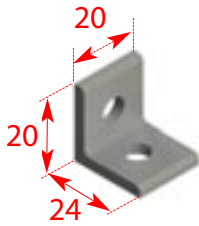
Reference	A
FBCP 60L	90°
FBCP 60X45	45°



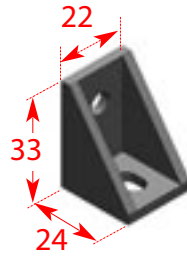
/ ALUMINIUM OR LIGHT ALLOY BRACKETS FOR STRUCTURAL TUBES

BRACKETS: MOULDED OR CUT FROM PROFILE SECTION

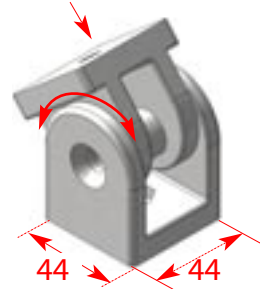
Bracket: **FBAB 20**
(Fastenings M5)



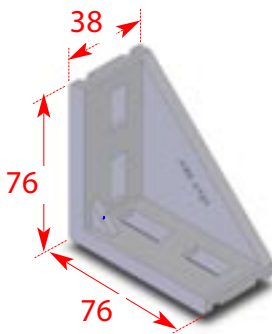
Bracket: **FBFA 24**



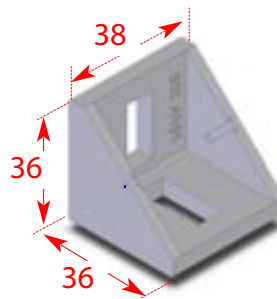
Fixed hinge: **FBFJ 44F**
Adjustable hinge: **FBFJ 44**



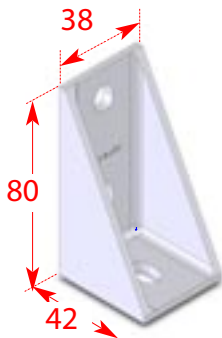
Equerre :**FBFA 38A**



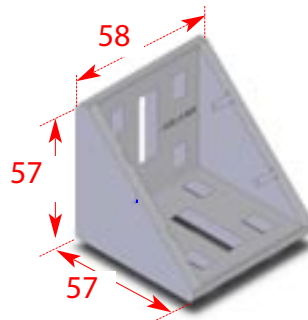
Bracket: **FBFA 38B**
End plug: **BE FBFA 38B**



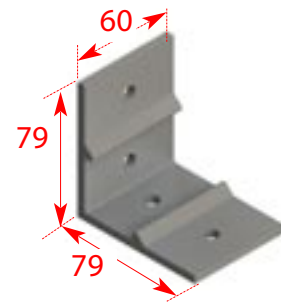
Equerre :**FBFA 38C**



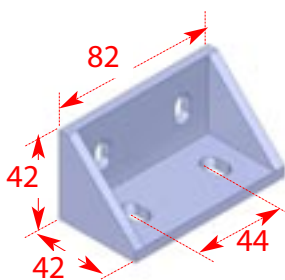
Bracket: **FBFA 58B**
End plug: **BE FBFA 58B**



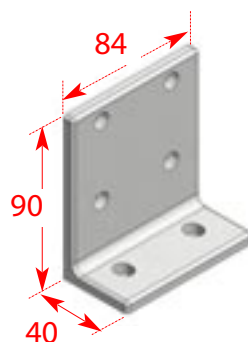
Winkel **FBAB 60L**



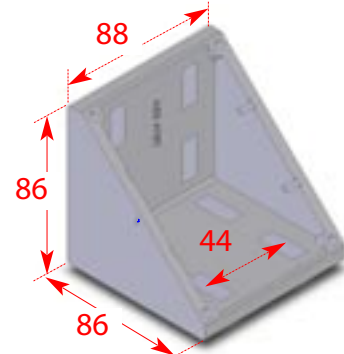
Bracket: **FBFA 88C**



Bracket: **FBFA 84**






Bracket: **FBFA 88B**
End plug: **BE FBFA 88B**



/ SQUARE TUBE LEG BASES

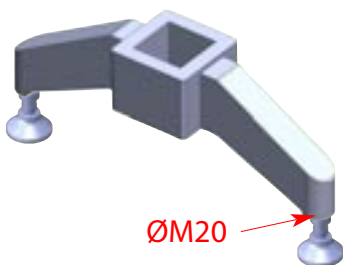
Aluminium bases

For square tube	TC 44	TC 64	TC 88
Base reference	EC150 45	FBFT 64	EC260 88
Dimensions	150 x 150 x H 100	210 x 210	260 x 260
Connection to the vertical tube	6 screws HM6 x 16 6 square nuts M8 + spring washers	Fastenings included	Fastenings included
Floor anchorage	Ø 10	Ø 10	Ø 16
			

Plastic feet moulded for square profiles

For tube	Bipod reference
TC64	FBFT 64BP

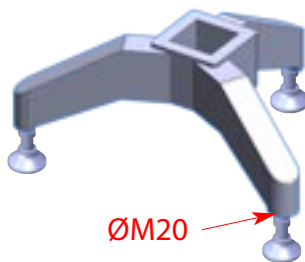
jacks included



ØM20

For tube	Tripod reference
TC64	FBFT 64TP
70x70	FEFG 70T

jacks included



ØM20

Adjustment jack
FBAF M20x56
for FBFT 64BP or FBFT 64TP



Ø70

Anti-vibration sole plate FLFJ
69
optional for FBAF M20x56



Ø69

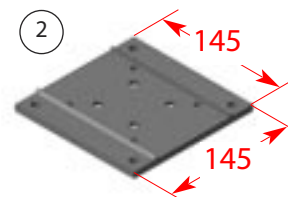
Plates for structural tubes

For tube	Plate reference	Mountings	Figure
TC44	FBFE 44M8	1 x ØM8 4 x Ø 6	1
	FBFE 44M12		
FBSB-44x64	FBFE 44x64M12	1 x ØM12 4 x Ø 6	
TC 44-88	FBFE 44x88M12		
TC64 FBSB 64x64M	FBFE 64M12		
TC88	FBFE 88M12	4 x Ø 6 4 x Ø 9	2
	FAPB 88F		

①



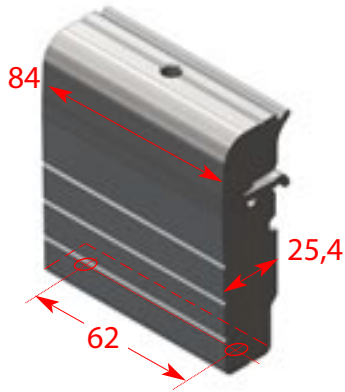
②



/ MOUNTINGS ON BEAMS

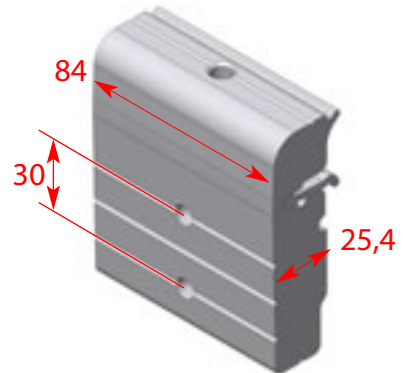
R2 SL32P

Aluminium clip with mobile rocker for lower mounting (2 holes ØM8)



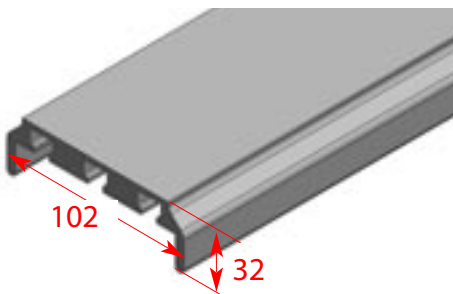
R2 SL32PL

Aluminium clip with mobile rocker for lateral mounting or inclined conveyor (2 holes ØM8)



EPR

Aluminium profile with 3 grooves for M8 nut or bolt head. Is used between clips R2SL32P and support head 331-4, for Robur, Cobral or other conveyors.



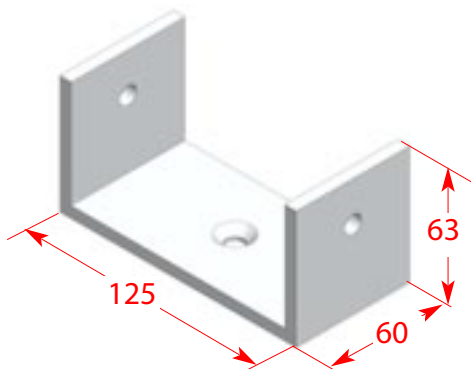
EMEPR

Closing end piece for profile EPR below



U125 63 CLAMP

Clamp for feet, Robur 1



R1 SL1/21.5M

Moulded plastic clip for stirrup U125-63 (legs for Robur 1)



Adjustable plates for inclined feet

reference	L
PL1	84
PL1 64	64

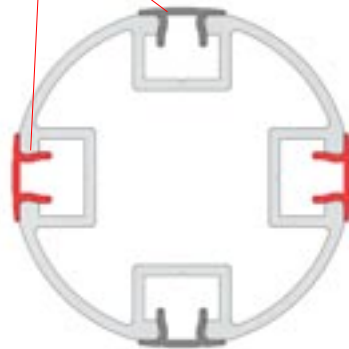


/ ROUND TUBES

SUPPORT HEADS AND JUNCTION

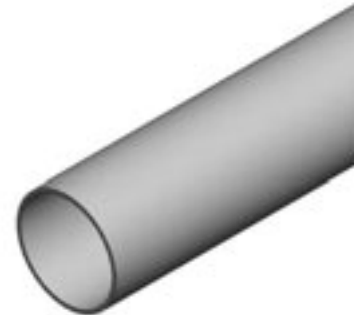
TUA 60 4R

Aluminium profile with 4 grooves for M8 nut or bolt head. These grooves can be plugged by an optional cover: red CR8R, black CR8N2 or grey CR8G2



TUX 60

Smooth stainless steel tube Ø 60.3 thickness 2

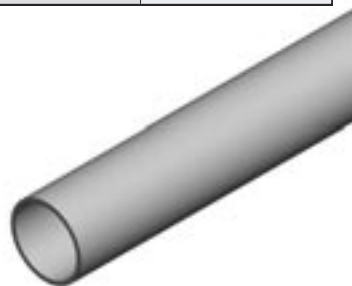


BTC M16 End M16
for TUA 60 4R



Smooth tubes Ø 42.4
thickness 1.6 mm

Material	Reference
aluminium	TUA 42
stainless steel	TUX 42



BTR M16 M16 end piece
for TUA 60 TUX60



Support head 331 4
For tubes TUA 60 4R or TUX60



Junction 331 5
between tubes TUA 60 4R or
TUX 60 and TUA 42 or TUX 42



Lateral support head 331 6
for tubes TUA 60 4R or TUX 60



/ LEG BASES (FEET) FOR TUBES Ø60.3 JACKS/SOLE PLATES Ø80

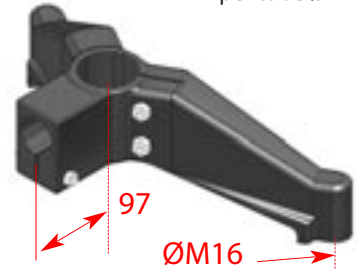
331 3 moulded tripod foot in Black PA6 for tube Ø60.3



331 2 Moulded bipod foot in black PA6 for tube Ø60.3



331 2 120 Moulded bipod foot in black PA6 for tube Ø60.3
to be used in cross braced pairs per tube Ø 42.4

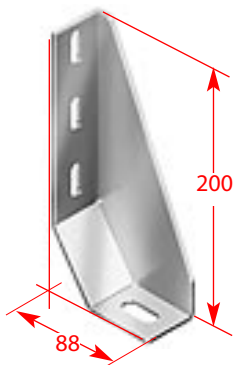


Spitable jack except (*):		Swivel castor with brake:	ØM	for			
ØA	H			tube FBSB 40x40...	plate	base above	end piece (/of tube)
331 80 M8		A49 125 M8	M8	... M8 tapped	FBFE44 M8		BTC44 M8 (/TC44)
331 80 M10	80	A49 125 M10	M10	... M10 tapped			
331 80 M12		A49 125 M12	M12	... M12 tapped	FBFE-...-M12		
331 60 M12GH (*)	60						
331 80 M16	80	A49 125 M16	M16			331 3, 331 2 or 331 2 120	BTC M16 (/TUA60 4R) BTR M16 (/TUX 60)
331 80 M16GH	145						



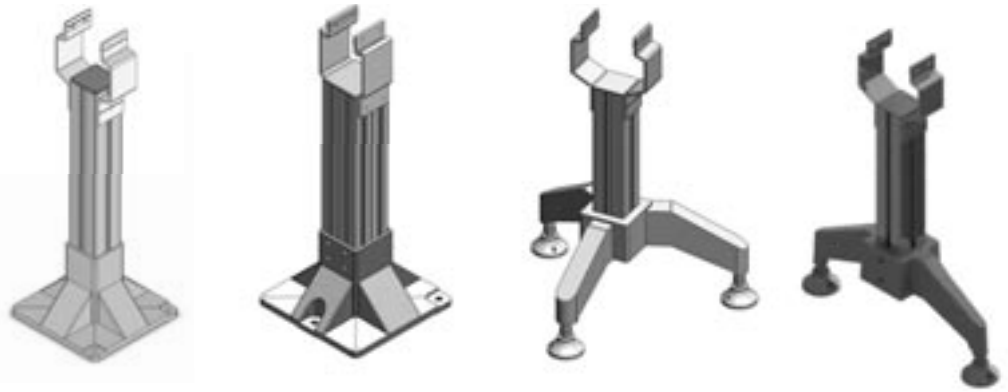
Note: L fitted with castors must be cross braced with for example Ø42 tubes and junction 331 5 to improve their stability and strength.

FBFA PC Zinc plated steel bracket for floor mounting of profiles ≥ 40 mm



Connection to the vertical tube Ø8 floor anchorage: Ø12

/ SQUARE TUBE LEGS FOR FLEX, H'ECOFLEX, FLEXTOO® CONVEYORS



Flexmove conveyor	Square profile 64	Profile TC-88 (C.88)	Tripod foot (C.64)	Bipod foot (C.64)
F45				
FK-FT-FH	FKTC 64		FKTC 3	FKTC 2
FS	FSTC 64	FSTC 88	FSTC 3	FSTC 2
FM	FMTC 64	FMTC 88	FMTC 3	FMTC 2
FC	FCTC 64	FCTC 88	FCTC 3	FCTC 2
Possible variants	• Inclined conveyor		• Inclined conveyor	• Inclined conveyor



Flex/ h'ecoflex / Flextoo Conveyor	Square profile 64	Profile PC88 (C.88)	Foot PH40 (C.40)	Tripod foot (C.64)	Bipod foot (C.64)
Flex FL	FLTC 64	FLTC 88		FLTC 3	
HEF 1	HEF 1 PC64	HEF 1 PC88	HEF 1 PH40	HEF 1 TC3	HEF 1 TC2
HEF 2	HEF 2 PC64	HEF 2 PC88	HEF 2 PH40	HEF 2 TC3	HEF 2 TC2
HEF 3	HEF 3 PC64	HEF 3 PC88	HEF 3 PH40	HEF 3 TC3	HEF 3 TC2
HEF 4	HEF 4 PC64	HEF 4 PC88	HEF 4 PH40	HEF 4 TC3	HEF 4 TC2
HEF 5		HEF 5 PC88	HEF 5 PH40		
HEF 6			HEF 6 PH40		
HEF 7			HEF 7 PH40		
HEF 8			HEF 8 PH40		
HEF 9			HEF 9 PH40		
HEF 10			HEF 10 PH40		
Flextoo 750	F2 750 PC 64	F2 750 PC 88	F2 750 PH40	F2 750 TC 3	F2 750 TC 2
Flextoo 1200	F2 1200 PC 64	F2 1200 PC 88	F2 1200 PH40	F2 1200 TC 3	F2 1200 TC 2
Flextoo 1500	F2 1500 PC 64	F2 1500 PC 88	F2 1500 PH40	F2 1500 TC 3	F2 1500 TC 2
Flextoo 1800		F2 1800 PC 88	F2 1800 PH40		
Flextoo 2400			F2 2400 PH40		
Possible variants	• multi-lane version • inclined conveyor • swivel leg	• multi-lane version • inclined conveyor			• multi-lane version • inclined conveyor

Legs

/ SQUARE TUBE LEGS FOR CAB CONVEYORS



CAB conveyor	Square profile 64 CAB...PC64	Profile PC88 (C.88) CAB...PC88	Foot PH40 (C.40) CAB...PH40	Foot PH44 (C.44) CAB...PH44	Tripod foot (C.64) CAB...TC3
CAB 6	CAB 6 PC64	CAB 6 PC88	CAB 6 PH40	CAB 6 PH44	CAB 6 TC3
CAB 9	CAB 9 PC64	CAB 9 PC88	CAB 9 PH40	CAB 9 PH44	CAB 9 TC3
CAB 12	CAB 12 PC64	CAB 12 PC88	CAB 12 PH40	CAB 12 PH44	CAB 12 TC3
CAB 15	CAB 15 PC64	CAB 15 PC88	CAB 15 PH40	CAB 15 PH44	CAB 15 TC3
CAB 18		CAB 18 PC88	CAB 18 PH40	CAB 18 PH44	
CAB 21			CAB 21 PH40	CAB 21 PH44	
CAB 24			CAB 24 PH40	CAB 24 PH44	
H min.					
Without cable raceway	530 mm	555 mm	315 mm	478 mm	575 mm
With cable raceway	577 mm	600 mm	370 mm	478 mm	623 mm

/ LEGS FOR SPECIAL APPLICATIONS:

Single leg
for mounting geared motors



Swivel leg



Height-adjustable stand,
with telescopic square tubes

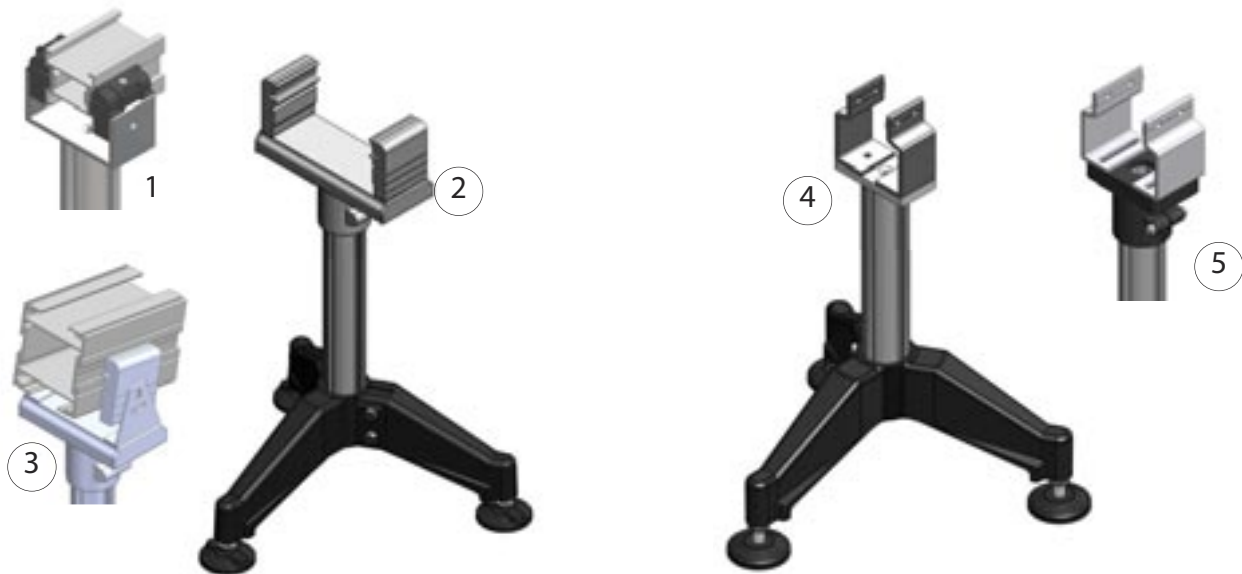


multi-track leg
for parallel conveyors



"H" shaped legs may be cross braced for better stability

/ Ø60.3 TUBE LEGS FOR ROBUR®, FLEX, H'ECOFLEX & FLEXTOO® CONVEYORS



Conveyor	Figure	Tripod foot	Bipod foot
Robur 1	1	R1 P3	R1 P2
Robur 2 / 2TB		R2 P3	R2 P2
Robur 3 / 3TB	2	R3 P3	R3 P2
Robur 4		R4 P3	R4 P2
Possible variants	<ul style="list-style-type: none"> • multi-lane version • inclined conveyor (Figure 3) 		

Conveyor	Figure	Tripod foot	Bipod foot
FK	4	FK P3	FK P2
FS		FS P3	FS P2
FM	5	FM P3	FM P2
FC		FC P3	FC P2
FL	4	FL P3	FL P2

Legs



Flextoo / h'ecoflex Conveyor	Tripod foot Reference	Tetrapod foot Reference
Flextoo-750	F2 750 P3	
Flextoo-1200	F2 1200 P3	
Flextoo-1500	F2 1500 P3	
Flextoo-1800	F2 1800 P3	F2 1800 2P2 120
Flextoo-2400		F2 2400 2P2 120
HEF 1	HEF 1 P3	
HEF 2	HEF 2 P3	
HEF 3	HEF 3 P3	
HEF 4	HEF 4 P3	

/ Ø60.3 TUBE LEGS CAB CONVEYORS



CAB conveyor	Tripod foot CAB...P3	Tetrapod foot CAB...2P2 120
CAB 6	CAB 6 P3	
CAB 9	CAB 9 P3	
CAB 12	CAB 12 P3	
CAB 15	CAB 15 P3	
CAB 18	CAB 18 P3	CAB 18 2P2 120
CAB 21		CAB 21 2P2 120
CAB 24		CAB 24 2P2 120
H min.		
Without cable raceway	540 mm	
With cable raceway	595 mm	

Option: legs on wheels

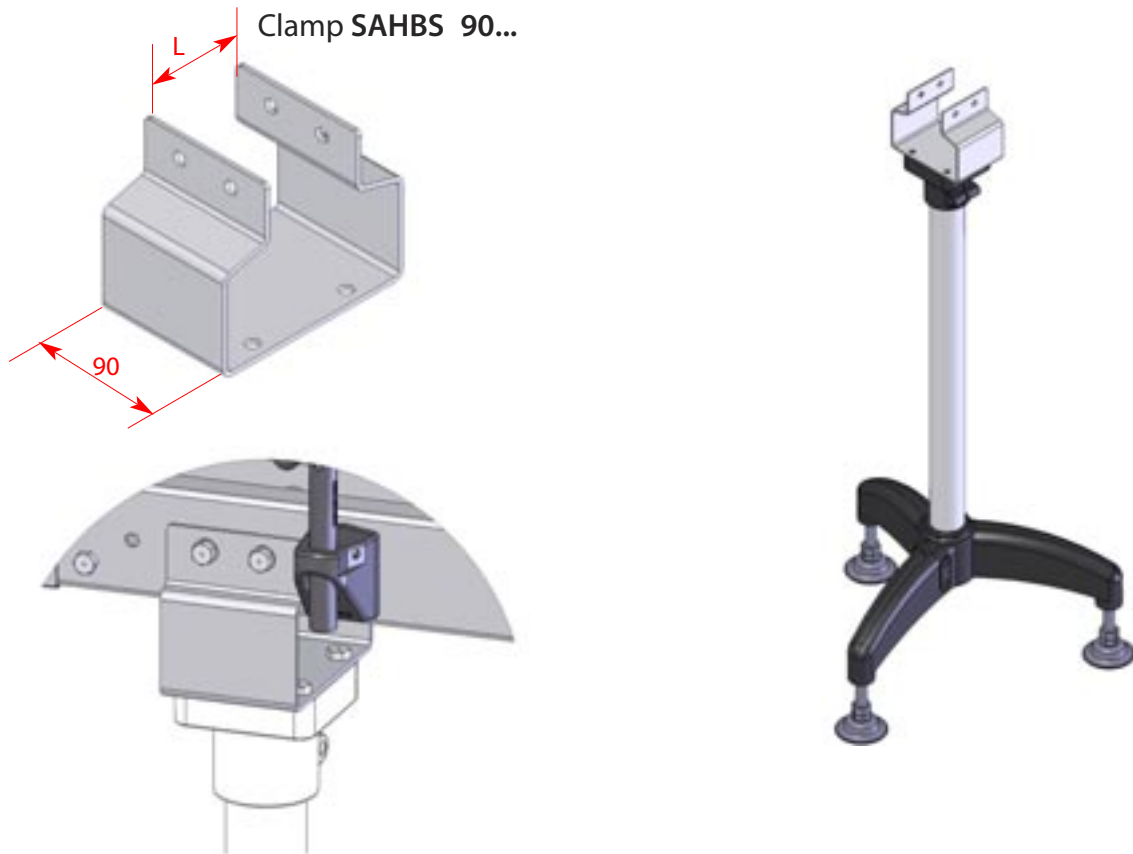
The adjustment jacks are replaced by braked swivelling wheels A49 125 M16.
The reference of the leg has the suffix R.



Note: To avoid the instability of legs fitted with wheels, they must be braced

/ Ø60.3 STAINLESS STEEL TUBE LEGS FOR FLEXINOX

In the top part, a stirrup is placed between the horizontal modules and the support head. Fixing by Ø9 holes



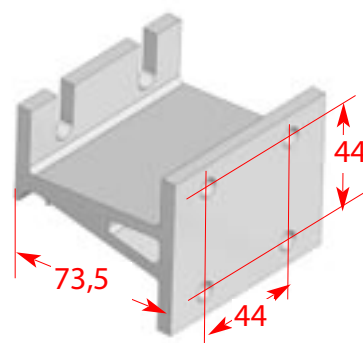
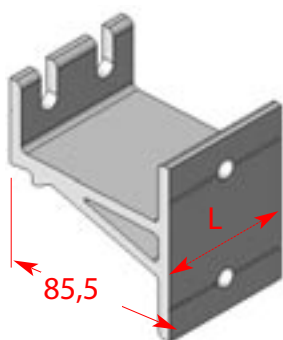
Legs

Range	SS	SM	SC
Bipod foot reference	SS P2	SM P2	SC P2
Tripod foot reference	SS P3	SM P3	SC P3
Width L	65	85	105
Clamp	SAHBS 90S	SAHBS 90M	SAHBS 90C
Detail of the mounting of the attachment stirrup on the beam			

/ SIDE MOUNTING BRACKETS

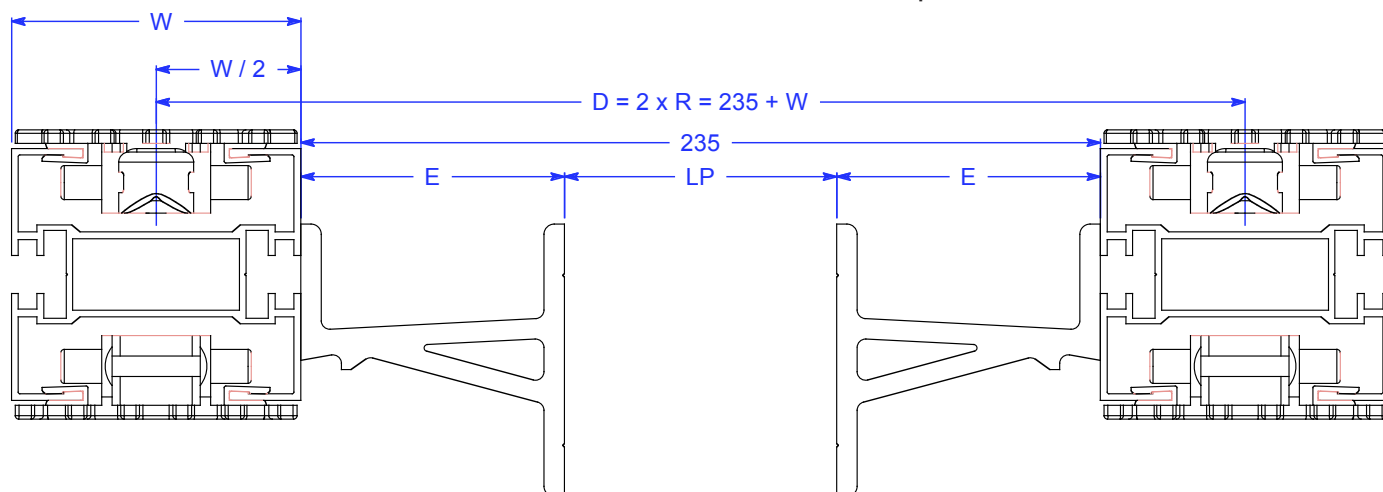
Reference	for	L
FAAL 64	TC 64	64
FAAL 40	FBSB 40x40 or TC44	40

FAAL 88 bracket
for post TC88



Application: serpentine

Dimensions for curves with wheels and for posts (FS, FM, FC)



Legs



Another example of use

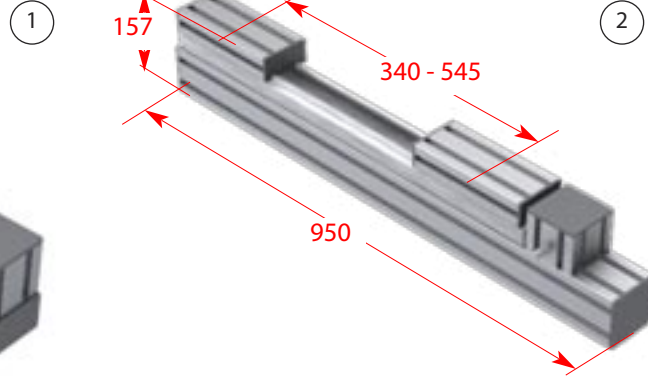
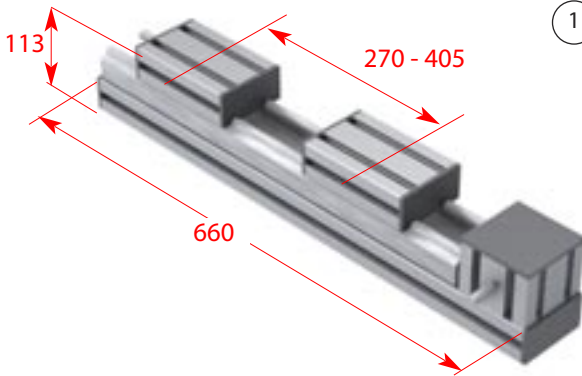
Bracket	E	LP (post)
FAAL 64	85.5	64 square
FAAL 88	73.5	88 square

Series	W	R	2x R - W
FS	65	150	235
FM	85	160	
FC	105	170	

/ COMPONENTS FOR ADJUSTABLE WEDGE CONVEYORS

Adjustment module FGLA...
for wedge elevators

Reference	Figure
FGLA 660L	1
FGLA 950L	2



Hand wheel FGAW
FGAW 160x10A
for wedge elevators



Transmission pin
FGFX 3
Ø25/12 grooved
for corner pieces,
length 3 m.



Corner piece
FGFW 90L
3 protruding shafts Ø10 pinned
88 x 88 x 69

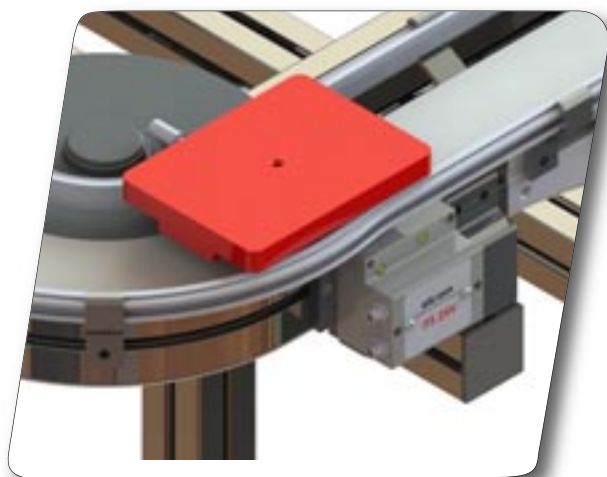
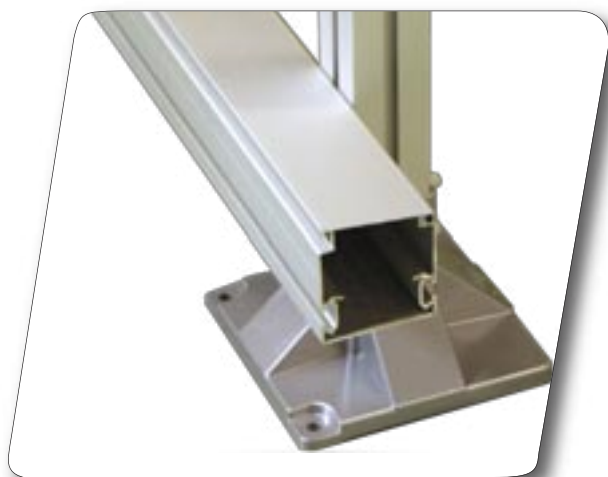


Legs

Example of application of the brackets on the previous page:
Lateral mounting of wedge conveyors on adjustment modules FGLA...



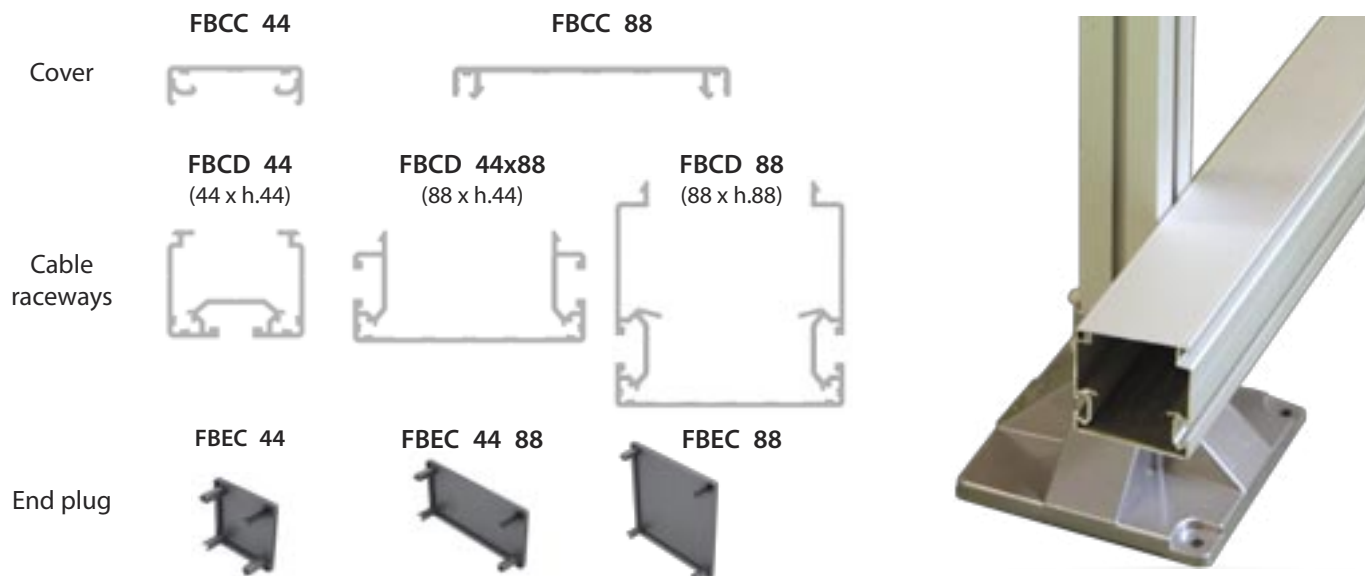
• EQUIPEMENT



/ CABLE RACEWAYS

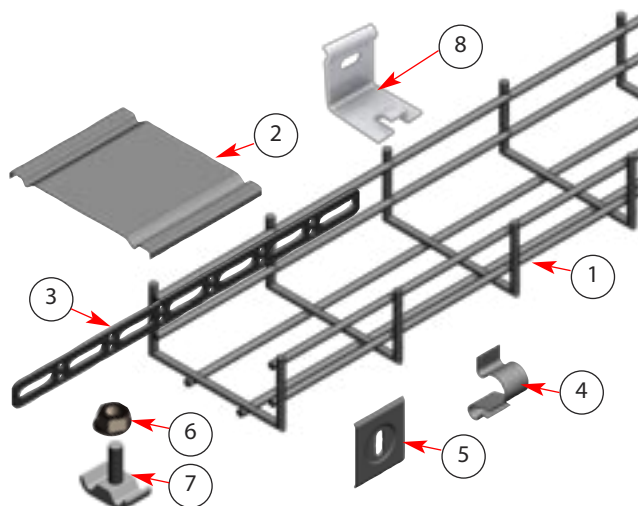
Aluminium cable raceways with covers Standard length 3m

Fish plates not included: FACS 20x130a; compatible fastenings: FASN..., FAHN..., FATB..., and FASB... on page 104.



Welded wire cable raceways

	Reference	Item
Wire cable raceway Zinc plated steel (100 x h.54 mm)	CABLE UF 54x100	1
Zinc plated steel cover (option)	CVR UF100	2
Fish plate	ECLISSE UF300	3
Mounting clips	CLIPS UF	4
Backing plate	CLAME UF	5
Self-locking nut ØM6	ECROU TWOLOCK M6	6
Small fish plate	ECLISSE UF30	7
Side Bracket	PATTE UF	8



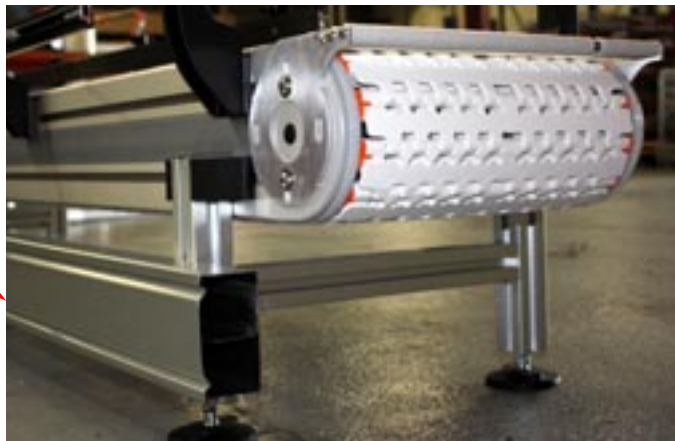
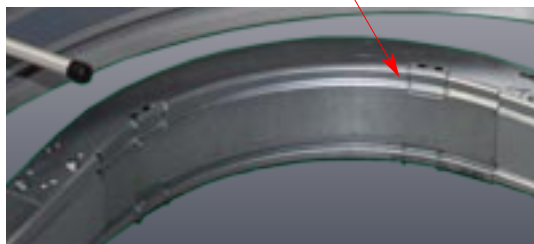
Equipment

/ CABLE RACEWAYS

Steel cable raceways

Cable raceway
(100 x h.54 mm)
internal partition (option)

Exists straight and curved



1/4 turn fasteners on Flex, Flextoo, CAB or TC 64 frame for cable, pipe up to \varnothing 20 and polyamide collar up to 10 x 2 mm.

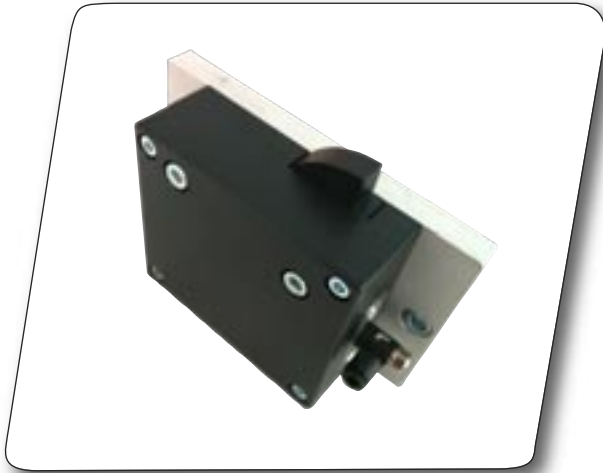
FBSC 10



/ STOPS ON REQUEST : EXAMPLES

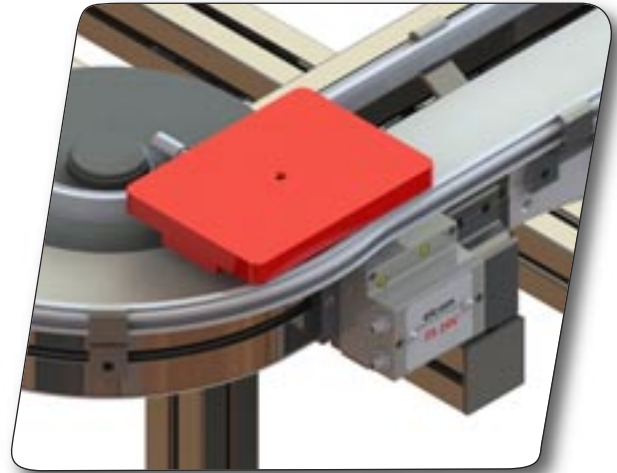
Stops for Flex conveyors

longitudinal stop force : 20daN, available in 2 patented versions:



/ Pneumatic end stops for slats

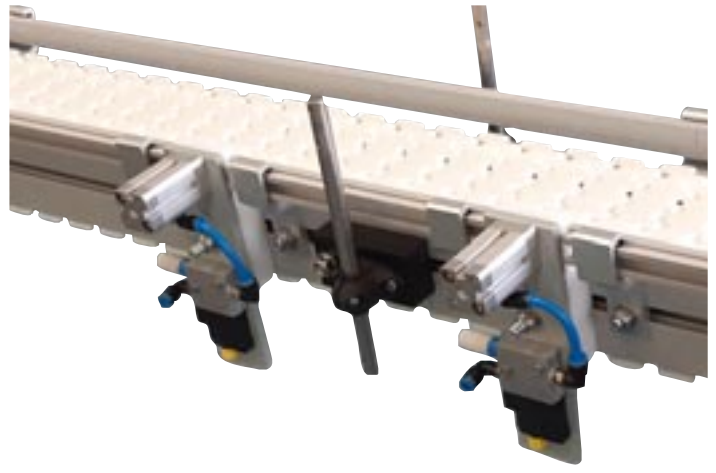
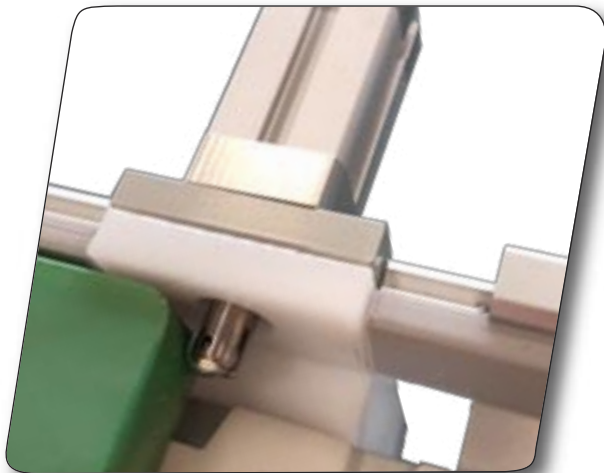
- Economic
- Ultra compact



/ Electric end stop for slats

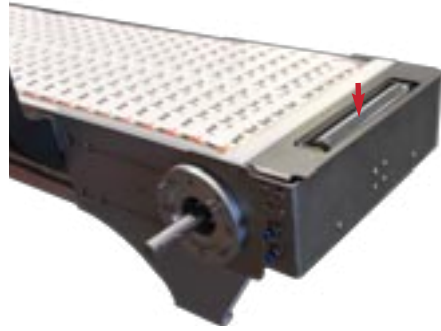
- 24 V Power supply
- No need for air supply
- Noise reduction

Pneumatic stops for straight Flex module

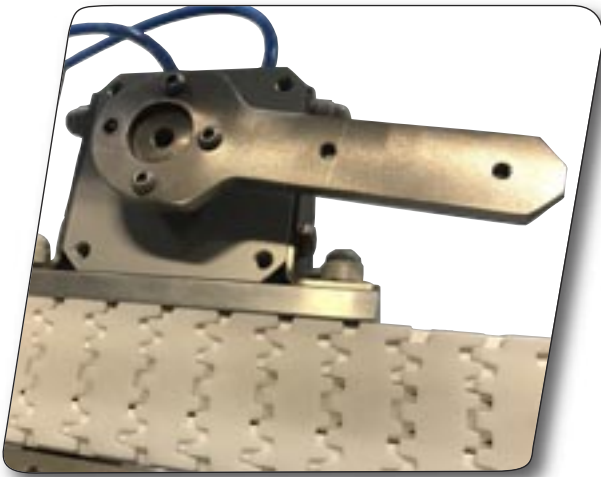


Equipment

/ FLEXTOO PNEUMATIC END STOP



/ DIVERTER ON REQUEST EXAMPLES



/ diverter by pneumatic rotary jack:

The jack is fitted with a metal arm which is covered with a piece of plastic.

The extreme positions are adjustable by means of screws.



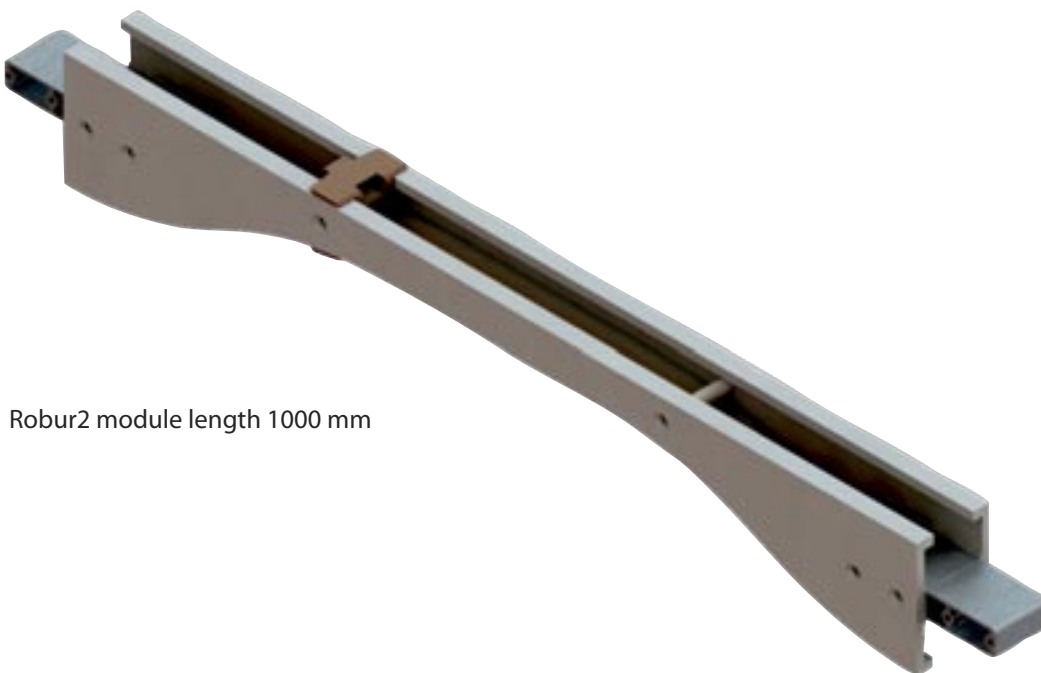
/ METAL DETECTOR MODULES

examples of production on request

The sidewalls are machined from HD PE and assembled with plastic screws in the detection area.
The chains are fitted with plastic pins, which slightly reduces their elastic limit.
The chain return can also be provided under the detector.
These modules are available for all our modular conveyor ranges.



Flex Module FC length 1300 mm



Robur2 module length 1000 mm

Equipment

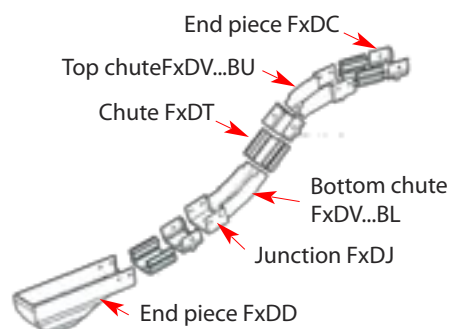
/ HINGED CHUTES
examples of production on request



Equipment

/ DRAIN GUTTERS AND TRAYS FOR THE FLEX FK, FS, FM & FC RANGES

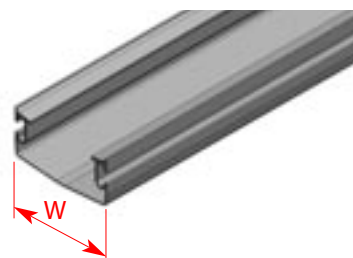
They are used to keep workshops safe and clean when wet or oily parts are transported. They can also be used to secure conveyors with lug chains.



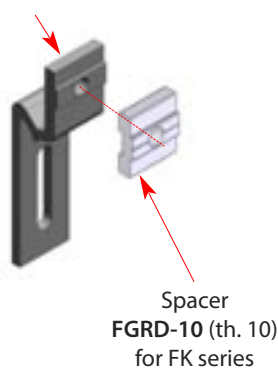
Conveyor	Width of conveyor	Chute width W
FK	45	107
FS	65	
FM	85	127
FC	105	147

Aluminium chutes length 3 m for straight modules

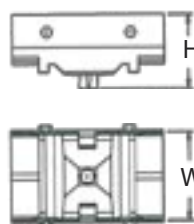
Conveyor	Straight chutes	W	Junction trays	H
FK-FS	FSDT 3x107B	107	FSDJ 107B	90
FM	FMDT 3x127B	127	FMDJ 127B	111
FC	FCDT 3x147B	147	FCDJ 147B	108



Chute mounting system FADB 21x100



Junction trays F...DJ... are used to assemble 2 lengths of aluminium chutes together. Curves or end chutes do not require connecting pieces. Additional possibility of fish plating with FACS-20x130A.



Equipment

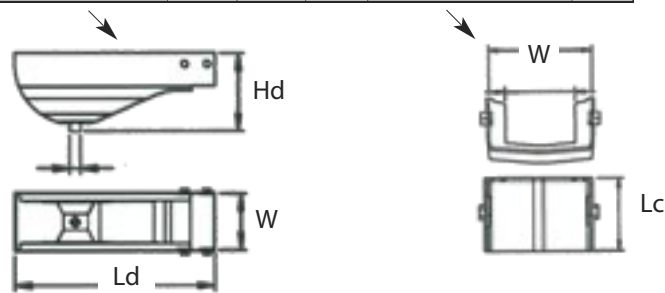
/ DRAIN GUTTERS AND TRAYS FOR THE FLEX FK, FS, FM & FC RANGES

Thermoformed chutes End pieces

Conveyor	Flat end piece Reference	Hollow end piece Reference	W	Hd	Ld	End piece	Lc
FK-FS	FSDE 107B	FSDD 107B	107	155	392	FSDC 107B	74
FM	FMDE 127B	FMDD 127B	127	163	434	FMDC 127B	74
FC	FCDE 147B	FCDD 147B	147	171	434	FCDC 147B	72

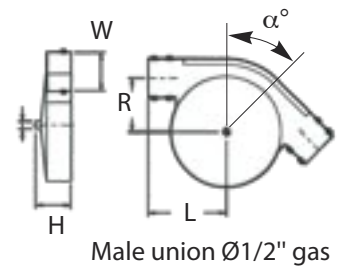


Male union Ø1/2" gas



Thermoformed drain trays for curved modules with wheels

Conveyor	L	H	R	For curves with wheels of... (α°)			
				30°	45°	90°	180°
FK-FS	180	103	150	FSDH 30x107B	FSDH 45x107B	FSDH 90x107B	FSDH 180x107B
FM	220	119	160	FMDH 30x127B	FMDH 45x127B	FMDH 90x127B	FMDH 180x127B
FC	225	120	170	FCDH 30x147B	FCDH 45x147B	FCDH 90x147B	FCDH 180x147B



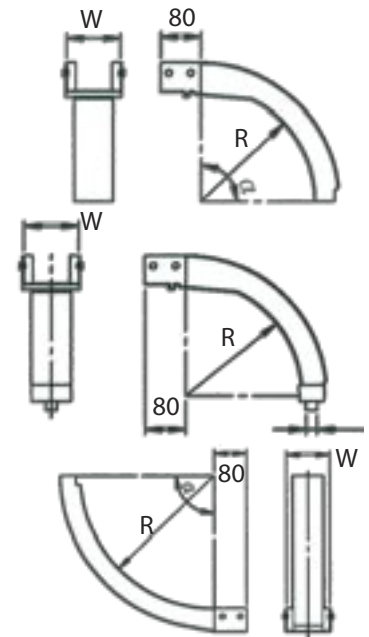
Male union Ø1/2" gas

Thermoformed chutes for vertical curves

Conveyor	R	Top chutes for curves of... (α°)			
		30°	45°	90°	180°
FK-FS	227	FSDV 30x107BU	FSDV 45x107BU	FSDV 90x107BU	FSDV 180x107BU
FM	310	FMDV 30x127BU	FMDV 45x127BU	FMDV 90x127BU	FMDV 180x127BU
FC	310	FCDV 30x147BU	FCDV 45x147BU	FCDV 90x147BU	FCDV 180x147BU

Idem, with male union Ø1/2" gas for curve of 90°					
FK-FS	230			FSDV 90x107B	
FM	310			FMDV 90x127B	
FC	310			FCDV 90x147B	

Conveyor	R	Bottom chutes for curves of... (α°)			
		30°	45°	90°	
FK-FS	330	FSDV 30x107BL	FSDV 45x107BL	FSDV 90x107BL	
FM	430	FMDV 30x127BL	FMDV 45x127BL	FMDV 90x127BL	
FC	430	FCDV 30x147BL	FCDV 45x147BL	FCDV 90x147BL	



/ DIRECT DRIVES

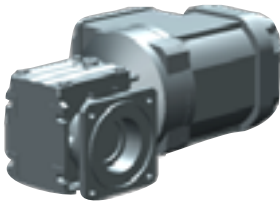
Direct mounting, with hollow shaft geared motor, fixed speed, single stage reduction.
Possibility of variable speed, very low speed (with 2 stage gearbox): consult us.

Conveyor range→ ↓ Geared motor	Power (W)	Hollow shaft	Flex F45	Flex FK & FS compact	Flex FK, FS, FM,-FC-FL CM-FB	Robur	h'ecoflex	Flextoo	CAB
Recommended maximum speeds (depending on conveyor geometry) :			20 m/mn	60 m/mn		40 m/mn	50 m/mn	80 m/mn	
RGM (24V-50 Hz)*	28-54W	Ø8	18 m/mn						
SEW WA 10 (bride Ø80)	90- 180W	Ø16		7,4-55 m/mn					
SEW WA 20	120- 550W	Ø20			≥ 4,8 m/mn	≥ 4,1 m/mn	≥ 3,6 m/mn	≥ 5 m/mn	≥ 5,5 m/mn
LENZE B45	90- 370W	Ø20			≥ 9 m/mn		≥ 7,5 m/mn	9-65 m/mn	
SEW WA 30	180- 750W	Ø20			≥ 4,8 m/mn	≥ 4,1 m/mn	≥ 3,6 m/mn	≥ 5 m/mn	≥ 5,5 m/mn
SEW WA 29	90- 750W	Ø20			3-13 m/mn	3-13 m/mn		3-75 m/mn	3-15 m/mn
SEW WA 37	180- 1100W	Ø20			≥ 8,0 m/mn	≥ 6,9 m/mn	≥ 6,1 m/mn	≥ 8,4 m/mn	≥ 9,1 m/mn
SEW WA 19	90- 750W	Ø20							
SEW WA 39	120- 750W	Ø30				2,3-11 m/mn		2-80 m/mn	2,5-12 m/mn
LENZE B110	120- 1100W	Ø20			5-65 m/mn		4-33 m/mn	5-40 m/mn	
SEW SA 37	120- 750W	Ø20			41 m/mn	2,6-29 m/mn	2-28 m/mn	2,6-34 m/mn	2,8-32,5 m/mn
SEW KA 37	180- 1100W	Ø30				3,7-26 m/mn		3,4-30 m/mn	3,7-33 m/mn
SEW SA 47	180- 1100W	Ø 20-30- 35				2,3-36 m/mn		2,3-35 m/mn	2,5-38 m/mn

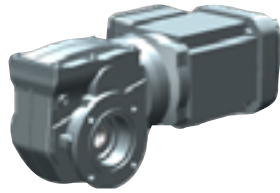
*RGM +torque arm

- We recommend that gearmotors should not be oversized.
- The forces applied to the chain or belt must be controlled, either by controlling the motor current or by precise adjustment of the torque limiters. For the calculation of forces and other motorisation versions, please consult our design office.
- The speeds in the table above are for a 50 Hz power supply.
- Thanks to the frequency variation, it is possible to have a speed range of 1 to 5 (10 to 50 Hz), or even 1 to 10 (10 to 100 Hz)
- For high speeds (>20 m/min) a progressive start is essential.
- The heavier SA(F) and KA(F) geared motors require additional support.

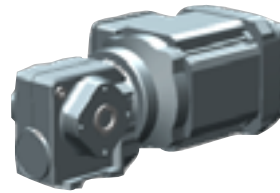
SEW WAF 10



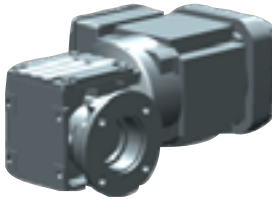
SEW WAF 29



SEW SA 37



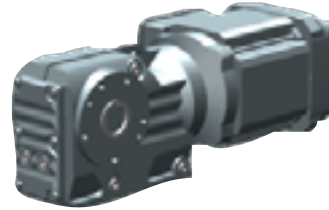
SEW WAF 20



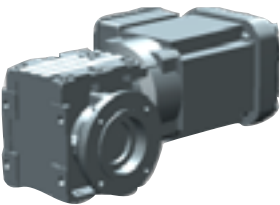
SEW WA 19



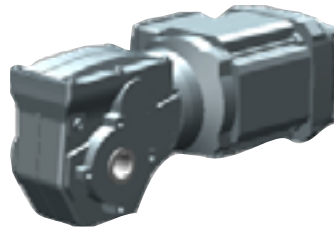
SEW KA 37



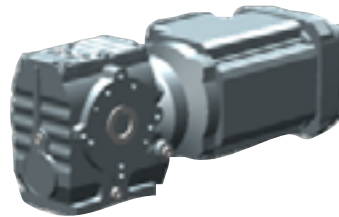
SEW WAF 30



SEW WA 39



SEW SA 47



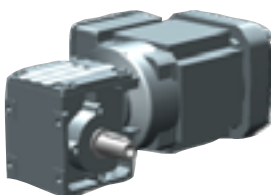
LENZE B45



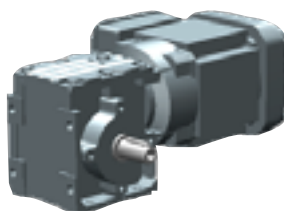
/ DRIVES WITH TRANSMISSION

and torque limiter, with geared motor on output shaft: on request, especially with geared motors of the following series :

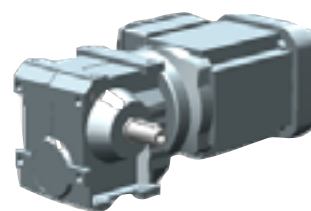
SEW W 20



SEW W 30



SEW S 37



/ STARTER BOXES



Direct starters with motor circuit breaker, switch and emergency stop for 3-phase motor 400 V 50 Hz

Compliance with standards IEC 60204-1, IEC 60947-4-1, polycarbonate material



Motor power (* number of poles)	Adjustment range of the thermal circuit breaker (A)	Version A	Version B
60 W	0,16 - 0,25	DRTA02	DRTB02
90 W	0,25 - 0,40	DRTA03	DRTB03
120 & 180 W	0,40 - 0,63	DRTA04	DRTB04
250 & 370 W (2p/4p)*	0,63 - 1	DRTA05	DRTB05
370 W (6p)* & 550 W <i>MM03 370W 1,3A</i> <i>MM05 550W 1,6A</i>	1 - 1,6	DRTA06	DRTB06
750 W & 1,1 kW <i>MM07 0,75 kW 1,9A</i> <i>MM11 1,1 kW 2,4A</i>	1,6 - 2,5	DRTA07	DRTB07
1,5 kW <i>MM15 1,5 kW 3,5A</i>	2,5 - 4	DRTA08	DRTB08
2,2 kW	4 - 6,3	DRTA10	DRTB10
Supply	3-phase 400	✓	✗
	3-phase 400+N	✓	✓
Possibility of remote emergency stop		✗	✓ in 230 V

Options for Movimot®

variable speed drive fitted with a motor on-off control, enabling the integral functionalities of the variable speed drive (acceleration / deceleration slopes) to be used.

Emergency stop, compatible with version B
ref: **DRTAU**

Equipment



Control +/- fast



European conformity of modular conveyor elements Flex, Flextoo®, Robur®, CAB

European Directive 2006/45/EC translated into French law - decree of 7.11.2008

In application of articles R4313-7 to R4313-11 of the French Labour Code, concerning "partly completed machinery", the Faber company certifies the conformity of the conveyor modules to the Essential Health and Safety Requirements.

Note: conveyors are considered as "quasi-machines" because they do not generally ensure the process alone (incorporation into a packaging line, management of the arrival and evacuation of products, layout of workstations, control and protection devices by the integrator).

- The **relevant technical documentation** is contained in this catalogue,
- the assembly instructions are included with the delivery of the equipment
- the invoice is accompanied by its certificate (declaration) of incorporation.

Reasonably foreseeable misuse:

Modular conveyors are not intended for the transport of people. They are not designed to be used as a means of access:

The conveyor must not be climbed on, either on or off. The legs used must comply with the rules of the trade. Whenever the geometry of the installation requires it, the conveyor legs must be fixed to the floor (the bases of the square legs are drilled or pre-drilled for this purpose).

Operating elements :

As a rule, our electrical supply is limited to geared motors. On request, we can supply "on/off" control boxes (according to EN 60204-1 /10.2).

It is up to the integrator to complete, if necessary, depending on the environment, with additional stop or signification controls, as well as disconnecting means (Annex 1-1.2.2 and following).

Installation, adjustment, maintenance, troubleshooting

The installation of the chain or belt is usually done with a drive module, the removable part of which is fixed by screws.

The drive modules have side covers to protect the slack strand. For modules with a transmission, a screw-fastened protective cover is provided.

Curved modules with wheels are equipped with a housing between the plates.

All these covers must be fitted at installation and checked

regularly for correct fitting. (Appendix 1 -1.4.2.1).

Drive modules with transmission have an integrated torque limiter, which limits the forces applied to the belt or chain. The correct setting of this clutch does not mean that the various input points should not be sealed.

Risk analysis:

- The enclosure of "soft strands" (if present) is only provided laterally, in order to avoid creating re-entrant points at the periphery of the winding on the sprocket. In the particular case of transfer at the end of a conveyor, there is an inward point between the chain or belt and the transfer plate. The operating personnel must be informed and protected from this risk of entrapment.

- Risk of catching or pinching:

If personnel are working in the vicinity of the conveyor, there is a moderate risk of catching loose clothing, ties, untied hair, etc., or of pinching them. This should be controlled by appropriate instructions or protection.

- belt or chain with cleats :

The presence of cleats prevents any slipping. Consequently, any device perpendicular to the movement (guide support, foot, etc.) creates a dangerous point. The integrator must take into account the control of this risk.

- Static risks: in case of explosive environments, the materials of the chain or belt, the sliding profile and the sprockets can be antistatic (on request only).

The assembly instructions include detailed instructions for assembly, installation, commissioning, operation, adjustment, maintenance and troubleshooting.

In the case of a conveyor pre-assembled in our workshops, the noise level and speed are mentioned on the declaration of incorporation.

Languages of documents :

This catalogue and the assembly instructions are available in English, French and German. If another European language is required by the integrator/machine manufacturer, this must be agreed upon if possible during consultation, and at the latest at the time of ordering.

- Index of references

reference index

	page		page		page
331 2	119	CAB 6 PC88	121	CMWT 5A	37
331 2 120	119	CAB 6 PH	121	CMWT 5C	37
331 3	119	CAB 6 TC3	121	CMWT 5DC	37
331 4	118	CAB 9 P3	123	CPS	22
331 5	118	CAB 9 PC88	121	CVR UF100	128
331 6	118	CAB 9 PH	121		
331 60 M12GH	119	CAB 9 TC3	121	E	
331 80 M10	119	CAB PG	78	EC150 45	116
331 80 M12	119	CAB...2P2 120	123	EC260 88	116
331 80 M16	119	CAB...CV500...B	80	ECB 4	102
331 80 M16GH	119	CAB...CV500...H	80	ECB 5	102
331 80 M8	119	CAB...D	79	ECB 6	102
A		CAB...MDD	80	ECB 8	102
A49 125 M10	119	CAB...MDG	80	ECLISSE UF30	128
A49 125 M12	119	CAB...P3	123	ECLISSE UF300	128
A49 125 M16	119	CAB...R	80	ECQA 40 M6	100
A49 125 M8	119	CAB...RS	80	ECQA 40 M8	100
AC2A8	86	CAB...TG1	80	ECQA 40 M8 ACIER	100
AF12/8 120CC	98	CAB...TG2	80	ECQA/45 M6	100
AF710CC	98	CABLE UF 54x100	128	ECQA/45 M8	100
AF712CC	98	CACHE VIS FHC6 GRIS	102	ECQA/45 M8 ACIER	100
AF720CC	98	CACHE VIS FHC6 NOIR	102	ECROU TWOLOCK M6	102
AT30	87	CACHE VIS FHC8 GRIS	102	ECROU TWOLOCK M8	102
		CACHE VIS FHC8 NOIR	102	EL 30	99
B		CACHE-ECROU HM6 GRIS	102	EL 60	99
BAGUE D ARRET D12	99	CACHE-ECROU HM6 NOIR	102	EL 72	99
BAGUE D ARRET D20	99	CACHE-ECROU HM8 GRIS	102	EL 92	99
BAGUE D ARRET D25	99	CACHE-ECROU HM8 NOIR	102	EL60	86
BAGUE D ARRET D30	99	CJF2 FM	103	EL92	86
BAGUE D ARRET D40	99	CJR C	103	Embout-CCD12	98
BAGUE D ARRET SQ40	99	CLAME UF	128	EMEPR	117
BE FBFA 38B	115	CLIP UF	128	EMFT 5R	11
BE FBFA 58B	115	CMCB 3	38	EMFT 5R-L	11
BE FBFA 88B	115	CMCT 5 D125L	37	EMPC 5HT	10
Bouchon FGEC 20	102	CMCT 5A12 L	37	EMPC 5R	10
BTC 44M8	119	CMCT 5A15 L	37	EO 12x12	95
BTC M16	118	CMCT 5A17 L	37	EO 20x20	95
BTR M16	118	CMCT 5A30 L	37	EPR	117
BUTEE CONIQUE	103	CMCT 5A9 L	37		
BUTEE PIVOT	103	CMCT 5F120L	37	F	
		CMCT 5F15L	37	F2 1200 2CC 400	71
C		CMCT 5F30L	37	F2 1200 C640/90	71
C2010X	86	CMCV 5B	37	F2 1200 CC 180	71
C2010Z	86	CMDD GP 0R	39	F2 1200 CV 500 15	71
CA30-8	112	CMDD TL 0R	39	F2 1200 CVF 5	71
CAB 12 P3	123	CMFC 5	37	F2 1200 D3000	70
CAB 12 PC88	121	CMFT 5	37	F2 1200 MDD GP	73
CAB 12 PH	121	CMFT 5C	37	F2 1200 MDD...	73
CAB 12 TC3	121	CMFT 5F	37	F2 1200 MDG GP	73
CAB 15 P3	123	CMHB	40	F2 1200 MDG...	73
CAB 15 PC88	121	CMPC 5	37	F2 1200 MID20	73
CAB 15 PH	121	CMPC 5 R500	37	F2 1200 MSD20	73
CAB 15 TC3	121	CMPC 5P	37	F2 1200 MSG20	73
CAB 18 2P2 120	123	CMPC 5R700	37	F2 1200 P3	122
CAB 18 P3	123	CMPC 5WR	37	F2 1200 PC	120
CAB 18 PC88	121	CMRB 5C	37	F2 1200 PH40	120
CAB 18 PH	121	CMSR 25	49	F2 1200 R	72
CAB 21 2P2 120	123	CMSR 25B	49	F2 1200 RP	72
CAB 21 PH	121	CMSR 25H	49	F2 1200 TC	120
CAB 24 2P2 120	123	CMSR 25P	49	F2 1200 TG1MI	72
CAB 24 PH	121	CMSR 3	49	F2 1200 TG1RI	72
CAB 6 P3	123	CMST 5	37	F2 1200 TG2MI	72
		CMUC 5	37	F2 1200 TG2RI	72
		CMVB	40	F2 1200 TMDM NTB	72

reference index

	page		page		page
F2 1200 TMDR NTB	72	F2 2400 MDD...	73	F45WT 3C	34
F2 1200 TMGM NTB	72	F2 2400 MDG GP	73	FAAL 40	125
F2 1200 TMGR NTB	72	F2 2400 MDG...	73	FAAL 64	125
F2 1500 2CC 400	71	F2 2400 MID20	73	FAAL 88	125
F2 1500 C800/90	71	F2 2400 MSD30	73	FACS 11x100	34
F2 1500 CC 180	71	F2 2400 MSG20	73	FACS 20x130A	84
F2 1500 CV 500 15	71	F2 2400 PH40	120	FACS 20x140	84
F2 1500 CVF 5	71	F2 2400 R	72	FACS 20x140A	84
F2 1500 D3000	70	F2 2400 RP	72	FACS 20x160	84
F2 1500 MDD GP	73	F2 2400 TG1MI	72	FACS 25x140A	84
F2 1500 MDD...	73	F2 2400 TG1RI	72	FACS 25x160	84
F2 1500 MDG GP	73	F2 2400 TG2MI	72	FACS 25x70	84
F2 1500 MDG...	73	F2 2400 TG2RI	72	FACS 50	34
F2 1500 MID20	73	F2 2400 TMDM NTB	72	FADB 21x100	134
F2 1500 MSD20	73	F2 2400 TMDR NTB	72	FAFB 88F	116
F2 1500 MSG20	73	F2 2400 TMGM NTB	72	FAHBS 40	110
F2 1500 P3	122	F2 2400 TMGR NTB	72	FAHBS 40B	110
F2 1500 PC	120	F2 750 2CC 400	71	FAHBS 60	110
F2 1500 PH40	120	F2 750 C400/90	71	FAHBS 62A	110
F2 1500 R	72	F2 750 CC 180	71	FAHBS 62B	110
F2 1500 RP	72	F2 750 CV 500 15	71	FAHBS 74A	110
F2 1500 TC	120	F2 750 CVF 5	71	FAHBS 74B	110
F2 1500 TG1MI	72	F2 750 D3000	70	FAHBS 74C	110
F2 1500 TG1RI	72	F2 750 MDD GP	73	FAHBS 74D	110
F2 1500 TG2MI	72	F2 750 MDD...	73	FAHBS 84	110
F2 1500 TG2RI	72	F2 750 MDG GP	73	FAHN M6	102
F2 1500 TMDM NTB	72	F2 750 MDG...	73	FAHN M8	102
F2 1500 TMDR NTB	72	F2 750 MID20	73	FASB 20	102
F2 1500 TMGM NTB	72	F2 750 MSD20	73	FASB 35	102
F2 1500 TMGR NTB	72	F2 750 MSG20	73	FASN M4	102
F2 1800 2CC 400	71	F2 750 P3	122	FASN M5	102
F2 1800 2P2 120	122	F2 750 PC	120	FASN M6	102
F2 1800 C930/90	71	F2 750 PH40	120	FASN M6 25	102
F2 1800 CC 180	71	F2 750 R	72	FASN M6B	102
F2 1800 CV 500 15	71	F2 750 RP	72	FASN M8	102
F2 1800 CVF 5	71	F2 750 TC	120	FASN M8 25	102
F2 1800 D3000	70	F2 750 TG1MI	72	FASR 1.2 T	49
F2 1800 MDD GP	73	F2 750 TG1RI	72	FASR 25A	49
F2 1800 MDD...	73	F2 750 TG2MI	72	FASR 25BE	49
F2 1800 MDG GP	73	F2 750 TG2RI	72	FASR 25H	49
F2 1800 MDG...	73	F2 750 TMDM NTB	72	FASR 25K	49
F2 1800 MID20	73	F2 750 TMDR NTB	72	FASR 25KA	49
F2 1800 MSD20	73	F2 750 TMGM NTB	72	FASR 25KH	49
F2 1800 MSG20	73	F2 750 TMGR NTB	72	FASR 25KP	49
F2 1800 P3	122	F45 CC 65	35	FASR 25P	49
F2 1800 PH40	120	F45 CC 65-2	35	FASR 25U	49
F2 1800 R	72	F45 CC 65-3	35	FASR 75x15M	103
F2 1800 RP	72	F45AN M5B	102	FASR 75x19P	103
F2 1800 TG1MI	72	F45AN M6	102	FATB 17	102
F2 1800 TG1RI	72	F45AN M6B	102	FATB 20	102
F2 1800 TG2MI	72	F45CB	34	FATB 24	102
F2 1800 TG2RI	72	F45CV 3E	34	FATB 35	102
F2 1800 TMDM NTB	72	F45DD 12	35	FATB 53	102
F2 1800 TMDR NTB	72	F45DD 9	35	FATB 71	102
F2 1800 TMGM NTB	72	F45FC 3	34	FATBX 17	102
F2 1800 TMGR NTB	72	F45FT 3	34	FATBX 20	102
F2 2400 2CC 400	71	F45HB	36	FATBX 24	102
F2 2400 2P2 120	122	F45ID	35	FATBX 35	102
F2 2400 C1180/90	71	F45IE 50	35	FATBX 53	102
F2 2400 CC 180	71	F45PC 3	34	FATBX 71	102
F2 2400 CV 500 15	71	F45RN M6	102	FAVBS 40M	111
F2 2400 CVF 5	71	F45SR 25H	49	FAVBS 40S	111
F2 2400 D3000	70	F45VB...	36	FAVBS 60C	111
F2 2400 MDD GP	73	F45VBS 42	111	FAVBS 60C FA	111

reference index

	page		page		page
FAVBS 60CV	111	FBFE 44x64M12	116	FCFC 5	11
FAVBS 60K	111	FBFE 44x88M12	116	FCFT 5	11
FAVBS 60K FA	111	FBFE 64M12	116	FCFT 5A	11
FAVBS 60KV	111	FBFE 88M12	116	FCFT 5B	11
FAVBS 60M	111	FBFE44 M8	119	FCFT 5B LF	11
FAVBS 60M FA	111	FBFJ 44	115	FCFT 5D	11
FAVBS 60MV	111	FBFJ 44F	115	FCFT 5E	11
FAVBS 60S	111	FBFP 75	103	FCFT 5T	11
FAVBS 60S FA	111	FBFT 64	116	FCFAB 5	30
FAVBS 60SV	111	FBFT 64BP	116	FCHB	30
FAVBS 88C	111	FBFT 64TP	116	FCIB 350	23
FAVBS 88M	111	FBMJ 6P	49	FCID DD 0L	26
FAVBS 88S	111	FBMR 170	49	FCID DD 0R	26
FB 175 HB	40	FBRB 22x63	93	FCID SD 0L	26
FB 295 HB	40	FBRW 20	114	FCID SD 0R	26
FB175 CB3	38	FBRW 20X45	114	FCIE 280P	23
FB175 CD 3A	38	FBRX 13	90	FCIE A105	23
FB175 DD 0L	39	FBRX 20A	114	FCMJ 6	49
FB175 DD 0R	39	FBRX 20B	114	FCMR 200	49
FB175 FT 3A	38	FBRX 20C	114	FCMT 5	12
FB175 IE 325	39	FBRY 20	114	FCPC 5	10
FB175 PC 3A	38	FBRY 20A	114	FCPC 5CD	10
FB175 VB	40	FBRY 20x45A	114	FCPC 5GF	10
FB295 CB3	38	FBSB 15X44	112	FCPC 5HT	10
FB295 DD 0L	39	FBSB 24X24	112	FCPC 5LF	10
FB295 DD 0R	39	FBSB 24X34	112	FCPC 5P	10
FB295 FT 3A	38	FBSB 24X44	112	FCPC 5UV	10
FB295 IE 325	39	FBSB 40X40	112	FCPC 5WR	10
FB295 PC 3A	38	FBSB 44X44M	112	FCRB 5A	19
FB295 VB	40	FBSB 44X64	113	FCRB 5B	19
FBAB 20	115	FBSB 44x88M	113	FCRC 5A	14
FBAB 60L	†115	FBSB 64x64C	113	FCRC 5A L	14
FBAF M20x56	116	FBSB 64x64M	113	FCRC 5B	14
FBCC 44	128	FBSB 88x88M	113	FCRC 5B L	14
FBCC 88	128	FBSC 10	129	FCRM180	103
FBCD 44	128	FC P2	122	FCRM90	103
FBCD 44x88	128	FC P3	122	FCRP 3	103
FBCD 88	128	FCAN 6	102	FCRT 5	14
FBCP 60L	114	FCAN 8	102	FCSD A105 0L	25
FBCP 60X45	114	FCCB 3R	22	FCSD A105 0R	25
FBCS 13x50	84	FCCC 160	22	FCST 5	11
FBCS 19x50	84	FCCD DD 0L	27	FCST 5S	11
FBCS 20x55	84	FCCD DD 0R	27	FCTB 105	23
FBEC 15x44	112	FCCD SD 0L	27	FCTB 105PSD	23
FBEC 24	112	FCCD SD 0R	27	FCTB 105SD	23
FBEC 24x34	112	FCCT 5A15	18	FCTB 280	23
FBEC 24x44	112	FCCT 5A17	18	FCTB 280P	23
FBEC 40	112	FCCT 5A20	18	FCTB A105	23
FBEC 44	112	FCCT 5A30	18	FCTB A105P	23
FBEC 44x64	113	FCCT 5A40	18	FCTC	120
FBEC 44x88	113	FCCV 5B	20	FCTRD 203	29
FBEC 64	113	FCDC 147B	135	FCVA	107
FBEC 88	113	FCDD	24	FCVAB 5	31
FBFA 100A	114	FCDD 147B	135	FCVB...	31
FBFA 24	115	FCDD A105 0L	24	FCVC	107
FBFA 38A	115	FCDD A105 0R	24	FCVF 3	107
FBFA 38C	115	FCDD A105GP 0L	25	FCVF 2	107
FBFA 58B	115	FCDD A105GP 0R	25	FCVK	107
FBFA 84	115	FCDD-PCB	24	FCVS	107
FBFA 88B	115	FCDE 147B	135	FCWB...	28
FBFA 88C	115	FCDH	135	FCWD SD 0M	28
FBFA PC	119	FCDJ 147B	134	FCWTU 700	29
FBFE 44M12	116	FCDT 3x147B	134	FD7	87
FBFE 44M8	116	FCDV	135	FEFG 70T	116

reference index

	page		page		page
FEFU	113	FGRD 18A	94	FKCT 5J6 L	17
FGAP-25	105	FGRD 20	104	FKCT 5K20 L	17
FGAR 6x20	97	FGRD 30	104	FKCT 5K27 L	17
FGAW 160x10A	126	FGRD 30B	96	FKCT 5K3 L	17
FGCB 1	88	FGRD 3D	94	FKCT 5K5.5 L	17
FGCB 2	88	FGRD 6	104	FKCT 5K9 L	17
FGCD 3	103	FGRD 6A	94	FKCV 5B	20
FGCR 1	88	FGRD 6B	96	FKCV 5C	20
FGCR 2	88	FGRD 6P	103	FKDD	24
FGDT 100	102	FGRF 40x12	96	FKDD 250 0L	24
FGDT 150	102	FGRF 40x18	96	FKDD 250 0R	24
FGDT 200	102	FGRF 42x18V	94	FKDD A45 0L	24
FGDT 3x20	102	FGRF 42x18VH	94	FKDD A45 0R	24
FGDT 80	102	FGRF A110	97	FKDD A45GP 0L	25
FGEC 10x20	90	FGRF A35	97	FKDD A45GP 0R	25
FGEC 12x20	90	FGRF DP	97	FKFC 5	11
FGEC 15x20	91	FGRJ 10x20	90	FKFT 5	11
FGEC 18	93	FGRJ 15x20	91	FKFT 5C	11
FGEC 30D	91	FGRK 18CE	93	FKHB	30
FGEC C1	88	FGRK 18x130A	92	FKID DD 0L	26
FGEC C2	88	FGRK 18x40A	92	FKID DD 0R	26
FGEC L1	88	FGRK 18x60A	92	FKID SD 0L	26
FGEC L1A	88	FGRK 18x80A	92	FKID SD 0R	26
FGEC L2	88	FGRL 18x110C	92	FKIE 200	23
FGFW 90	126	FGRL 18x110CA	92	FKPC 5	10
FGFX 3	126	FGRL 18x160C	92	FKPC 5CD	10
FGGR 18xL	93	FGRL 18x160CA	92	FKPC 5P	10
FGGR 3x18	93	FGRN 3U	94	FKPC 5PV	10
FGLA 660A	126	FGRR 3x20x10	90	FKPC 5UV	10
FGLA 950A	126	FGRR 3x20x10B	90	FKPC 5WR	10
FGLB 1	88	FGRR 3x20x10F	90	FKRD 5 3	21
FGLB 1C	89	FGRR 3x20x10P	90	FKRD 5 6	21
FGLB 2	88	FGRR 3x20x10T	90	FKRG 5 3	21
FGLB 2C	89	FGRR 3x20x12	90	FKRG 5 6	21
FGLR 1	88	FGRR 3x20x15P	91	FKSD A45 0L	25
FGLR 1C	89	FGRR FG25	90	FKSD A45 0R	25
FGLR 2	88	FGRRF 3x20x15	91	FKST 5S	11
FGLR 2C	89	FGRRX 3x40x8	89	FKTB 200	23
FGRA-	105	FGRS 15x20	93	FKTB 200P	23
FGRB 11x30C	97	FGRS 18	93	FKTB 45	23
FGRB 16x42C	97	FGRT 3x23	91	FKTB 45PSD	23
FGRB 16x54C	97	FGRT 3x23A	91	FKTB 45SD	23
FGRB 18x18	95	FGRT 3x33	91	FKTC	120
FGRB 18x20	95	FGRT 3x33AN	91	FKTR 5	21
FGRB 18X20T	95	FGRT 3x50	91	FKUC 5	12
FGRB 20x20	95	FGRX 15x20	95	FKVAB 5	31
FGRB 20X20T	95	FGRX 18x18	95	FKVB	31
FGRB 40	110	FGRX 18x20	95	FKWB...	28
FGRB 40x15x20	96	FGRX 20x20	95	FKWD SD 0M	28
FGRB 40x18	96	FK P2	122	FKWT 5A	13
FGRB 40x20	96	FK P3	122	FKWT 5C	13
FGRB 40x42C	97	FK2R 5 3	21	FKWT 5D	13
FGRB 84	110	FK2R 5 6	21	FKWT 5DA	13
FGRB-	104	FKCC 160	22	FKWT 5DB	13
FGRB...	104	FKCD DD 0L	27	FL P2	122
FGRC 100	91	FKCD DD 0R	27	FL P3	122
FGRC 18x110C	92	FKCT 5B	15	FL1	86
FGRC 18x160C	92	FKCT 5B 36	15	FL2	86
FGRC 20	98	FKCT 5B PBT	15	FL5	86
FGRC 20A	98	FKCT 5C	15	FL5S	86
FGRC 60	91	FKCT 5F3 L	16	FL5SH30	86
FGRD 10	104	FKCT 5F5 L	16	FL5UH30	86
FGRD 12	104	FKCT 5F9 L	16	FL5UH40	86
FGRD 15	104	FKCT 5J30 L	17	FL8	86

reference index

	page		page		page
FLCB	22	FMFT 5B	11	FMWT 5BS	13
FLCC 160	22	FMFT 5D	11	FMWT 5C	13
FLDD	24	FMFT 5E	11	FMWT 5DA	13
FLDD A150 0L	24	FMFT 5T	11	FMWT 5DC	13
FLDD A150 0R	24	FMHAB 5	30	FMWTU 700	29
FLDD A150GP 0L	25	FMHB	30	FONE-BUTH10	69
FLDD A150GP 0R	25	FMIB 300	23	FONE-INSERT	69
FLFC 5V	11	FMID DD 0L	26	FS P2	122
FLFJ 69	116	FMID DD 0R	26	FS P3	122
FLFT 5V	11	FMID SD 0L	26	FS2R 5 18	21
FLHB	30	FMID SD 0R	26	FSCC 160	22
FLIE A150	23	FMIE 260P	23	FSCD DD 0L	27
FLPC 5V	10	FMIE A85	23	FSCD DD 0R	27
FLPC 88	120	FMMJ 6	49	FSCD SD 0L	27
FLRC 5VB	14	FMMR 140	49	FSCD SD 0R	27
FLRT 5V	14	FMMT 5	12	FSCT 5A12	18
FLSD A150 0L	25	FMPC 5	10	FSCT 5A15	18
FLSD A150 0R	25	FMPC 5 R500	12	FSCT 5A17	18
FLTB 150	23	FMPC 5 R700	12	FSCT 5A30	18
FLTB 150PSD	23	FMPC 5CD	10	FSCT 5A4	18
FLTB 150SD	23	FMPC 5GF	10	FSCT 5A40	18
FLTB A150	23	FMPC 5HT	10	FSCT 5A5.5	18
FLTB A150P	23	FMPC 5LF	10	FSCT 5A9	18
FLTC	120	FMPC 5P	10	FSCT 5B	15
FLTRD 203	29	FMPC 5UV	10	FSCT 5B 51	15
FLVB...	31	FMPC 5V	10	FSCT 5B 51 PBT	15
FLWB...	28	FMPC 5WR	10	FSCT 5B 76	15
FLWD SD 0M	28	FMRB 5A	19	FSCT 5B 76 PBT	15
FLWTU 700	29	FMRB 5B	19	FSCT 5B PBT	15
FM P2	122	FMRB 5C	19	FSCT 5C	15
FM P3	122	FMRB 5D	19	FSCT 5C 51	15
FMB14 5	12	FMRC 5A	14	FSCT 5C 51 PBT	15
FMCC 160	22	FMRC 5B	14	FSCT 5C PBT	15
FMCC 160D	22	FMRC 5B L	14	FSCT 5D12	18
FMCD DD 0L	27	FMRC 5C	14	FSCT 5D15	18
FMCD DD 0R	27	FMRC 5C L	14	FSCT 5D30	18
FMCD SD 0L	27	FMRT 5	14	FSCT 5E55 L	16
FMCD SD 0R	27	FMSD A65 0R	25	FSCT 5F15 L	16
FMCT 5A15	18	FMSD A85 0L	25	FSCT 5F30 L	16
FMCT 5A17	18	FMST 5FA	11	FSCT 5FL12 L	16
FMCT 5A30	18	FMST 5S	11	FSCT 5FR12 L	16
FMCT 5D40 L	16	FMTB 260	23	FSCT 5G12	18
FMCT 5D60 L	16	FMTB 260P	23	FSCV 5A	20
FMCT 5D80 L	16	FMTB 85	23	FSCV 5B	20
FMCT 5F15 L	16	FMTB 85PSD	23	FSCV 5C	20
FMCT 5F20 L	16	FMTB 85SD	23	FSCV 5D	20
FMCT 5F30 L	16	FMTB A85	23	FSCV 5E	20
FMCV 5B	20	FMTB A85P	23	FSCV 5F	20
FMDC 127B	135	FMTC	120	FSDC 107B	135
FMDD	24	FMTE 5C	13	FSDD	24
FMDD 127B	135	FMTRD 203	29	FSDD 107B	135
FMDD A85 0L	24	FMUC 5	12	FSDD 250 0L	24
FMDD A85 0R	24	FMUC 5-L	12	FSDD 250 0R	24
FMDD A85GP 0L	25	FMVA	107	FSDD A65 0L	24
FMDD A85GP 0R	25	FMVAB 5	31	FSDD A65 0R	24
FMDD-PCB	24	FMVB...	31	FSDD A65GP 0L	25
FMDE 127B	135	FMVC	107	FSDD A65GP 0R	25
FMDH	135	FMVF 3	107	FSDD-PCB	24
FMDJ 127B	134	FMVG 2	107	FSDE 107B	135
FMDT 3x127B	134	FMWB...	28	FSDH	135
FMDV	135	FMWD SD 0M	28	FSDJ 107B	134
FMFC 5	11	FMWT 5A	13	FSDT 3x107B	134
FMFT 5	11	FMWT 5A FA	13	FSDV	135
FMFT 5A	11	FMWT 5B	13	FSFC 5	11

reference index

	page		page		page
FSFT 5	11	FSWB...	28	HEF 5 MGD20 U	63
FSFT 5A	11	FSWD SD 0M	28	HEF 5 PC	120
FSFT 5B	11	FSWT 5A	13	HEF 5 PH40	120
FSFT 5C	11	FSWT 5B	13	HEF 5 R U	63
FSFT 5E	11	FSWT 5BA	13	HEF 6 D30000	62
FSFT 5F	11	FSWT 5C	13	HEF 6 MDD20 U	63
FSHAB 5	30	FSWT 5D	13	HEF 6 MGD20 U	63
FSHB	30	FSWT 5DA	13	HEF 6 PH40	120
FSIB 206	23	FSWT 5DB	13	HEF 6 R U	63
FSID DD 0L	26	FSWTU 700	29	HEF 7 D3000	62
FSID DD 0R	26	FURS 3x8	90	HEF 7 MDD20 U	63
FSID SD 0L	26			HEF 7 MGD20 U	63
FSID SD 0R	26	G		HEF 7 PH40	120
FSIE 200	23	GAB F2	70	HEF 7 R U	63
FSIE A65	23	GAB F45	49	HEF 8 D3000	62
FSMJ 4	49	GAB FK	49	HEF 8 MDD20 U	63
FSMR 140	49	GAB FM	49	HEF 8 MGD20 U	63
FSMT 5	12	GH5 1B	99	HEF 8 PH40	120
FSNS 5	12	GH5 1PM	99	HEF 8 R U	63
FSPC 5	10	GH5 2	99	HEF 9 D3000	62
FSPC 5 R700	12	GH5 3	99	HEF 9 MDD20 U	63
FSPC 5 R700 56	12	GH5 4	99	HEF 9 MGD20 U	63
FSPC 5 R700 56 PBT	12	GH5 5	99	HEF 9 PH40	120
FSPC 5 R700 PBT	12			HEF 9 R U	63
FSPC 5CD	10	H			
FSPC 5GF	10	HEF 1 D3000	62	J	
FSPC 5HT	10	HEF 1 MDD20 U	63	JCB Y	83
FSPC 5LF	10	HEF 1 MGD20 U	63	JEC4 11	112
FSPC 5P	10	HEF 1 P3	122	K	
FSPC 5PBT	10	HEF 1 PC	120	KPS	22
FSPC 5PV	10	HEF 1 PH40	120	M	
FSPC 5UV	10	HEF 1 R U	63	M-QNB	83
FSPC 5WR	10	HEF 1 TC	120	M-TTB	83
FSRB 5C	19	HEF 10 D3000	62	MPS	22
FSRC 5A	14	HEF 10 MDD20 U	63	P	
FSRC 5A L	14	HEF 10 MGD20 U	63	PAST M4x6	49
FSRM180	103	HEF 10 PH40	120	PAST M5x6	49
FSRM90	103	HEF 10 R U	63	PAST M5x8	49
FSRP 3	103	HEF 2 D3000	62	PATTE UF	128
FSRT 5	14	HEF 2 MDD20 U	63	PCPE	49
FSRT 5 L	14	HEF 2 MGD20 U	63	PL1	117
FSSD A65 0L	25	HEF 2 PC	120	PL1 64	117
FSSD A65 0R	25	HEF 2 PH40	120	PRESSE D3	49
FSST 5FA	11	HEF 2 R U	63	PRESSE D3 F45	49
FSST 5S	11	HEF 2 TC	120	PRESSE D3-F2	70
FSTB 200	23	HEF 3 D3000	62	PRESSE D4	49
FSTB 200P	23	HEF 3 MDD20 U	63	PSR 66 104 CC	99
FSTB 65	23	HEF 3 MGD20 U	63		
FSTB 65PSD	23	HEF 3 P3	122	Q	
FSTB 65SD	23	HEF 3 PC	120	QNB C	83
FSTB A65	23	HEF 3 PH40	120	R	
FSTB A65P	23	HEF 3 R U	63	R1 C200	56
FSTC	120	HEF 3 TC	120	R1 C500	57
FSTRD 203	29	HEF 4 D3000	62	R1 CC 200	54
FSUC 5	12	HEF 4 MDD20 U	63	R1 CV500	57
FSUC 5-L	12	HEF 4 MGD20 U	63	R1 D3000	54
FSVA	107	HEF 4 P3	122	R1 MD20	55
FSVAB 5	31	HEF 4 PC	120	R1 MG20	55
FSVB	31	HEF 4 PH40	120		
FSVC	107	HEF 4 R U	63		
FSVF 3	107	HEF 4 TC	120		
FSVG 2	107	HEF 5 D3000	62		
FSVK	107	HEF 5 MDD20 U	63		
FSVS	107				

reference index

	page		page		page
R1 P2	122	R4 P2	122	SM P2	124
R1 P3	122	R4 P3	122	SM P3	124
R1 PG-CD	54	R4 PG	54	SMCB	43
R1 PGR16	54	R4 PG-CD	54	SMCC 160	43
R1 PGR3	54	R4 R	55	SMDD 0L	42
R1 R	55	RI12	87	SMDD 0R	42
R1 SL1/21.5M	100	RIVET ALU 3X6.5	49	SMDD GP 0L	42
R1 SL32-SL40	100	RIVET ALU 4X6.5	49	SMDD GP 0R	42
R2 C200	56	RIVET ALU 4X8	49	SMHB	45
R2 C500	57	RONDELLE PA 8/20	102	SMID DD 0L	42
R2 CC 200	54	Rotobloc	101	SMID DD 0R	42
R2 CV500	57	RTB M1	79	SMIE 320	42
R2 D3000	54	RTB M2	79	SMTB 85	42
R2 D3000-MONO	54			SMTB 85P	42
R2 MD20	55	S		SMVB	44
R2 MG20	55	SAHBS 90C	124	SMWB	44
R2 P2	122	SAHBS 90M	124	SNB M2	83
R2 P3	122	SAHBS 90S	124	SNB-M2 Roll	79
R2 PG-CD	54	SC P2	124	SPS	22
R2 PGHD1000	54	SC P3	124	SS P2	124
R2 R	55	SCCB	43	SS P3	124
R2 SL1/17M	100	SCCC 160	43	SSCB	43
R2 SL2-H65	100	SCDD 0L	42	SSCC 160	43
R2 SL2-H86	100	SCDD 0R	42	SSDD 0L	42
R2 SL32-SL40	100	SCDD GP 0L	42	SSDD 0R	42
R2 SL32P	117	SCDD GP 0R	42	SSDD GP 0L	42
R2 SL32PL	117	SCHB	45	SSDD GP 0R	42
R2 SLA...	100	SCID DD 0L	42	SSHB	45
R2TB C200	56	SCID DD 0R	42	SSID DD 0L	42
R2TB C500	57	SCIE 325	42	SSID DD 0R	42
R2TB CC 200	54	SCTB 105	42	SSIE 320	42
R2TB CV500	57	SCTB 105P	42	SSTB 65	42
R2TB D3000	54	SCVB	44	SSTB 65P	42
R2TB MD20	55	SCWB	44	SSVB	44
R2TB MG20	55	SERT D3	49	SSWB	44
R2TB PGHD1000	54	SERT D4	49		
R2TB R	55	SERT D4 FS	49	T	
R3 C200	56	SGEC 19	93	TC44	112
R3 C500	57	SGGR 19x150	93	TC44 88	113
R3 CC 200	54	SGGR 19x200	93	TC64	113
R3 CV500	57	SGGR 3x19	93	TC88	113
R3 D3000	54	SGRB 18x18	95	TUA 42	118
R3 D3000-MONO	54	SGRB 18x20	95	TUA 60 4R	118
R3 MD20	55	SGRB 18X20T	95	TUX 42	118
R3 MG20	55	SGRB 20x20	95	TUX 60	118
R3 P2	122	SGRB 40x18	96		
R3 P3	122	SGRB 40x20	96	U	
R3 PG	54	SGRC 18x110C	92	U125 63 ETRIER	107
R3 PG-CD	54	SGRC 18x160C	92		
R3 R	55	SGRF 42x18V	94		
R3TB C200	56	SGRF A110	97		
R3TB C500	57	SGRF A35	97		
R3TB CC 200	54	SGRK 12x130A	98		
R3TB CV500	57	SGRK 12x80A	98		
R3TB D3000	54	SGRK 18x130A	92		
R3TB MD20	55	SGRK 18x80A	92		
R3TB MG20	55	SGRL 18x110C	92		
R3TB R	55	SGRL 18x110CA	92		
R4 C500	57	SGRL 18x160C	92		
R4 CC 200	54	SGRL 18x160CA	92		
R4 CV500	57	SGRS 18	93		
R4 D3000	54	SGRX 18x18	95		
R4 MD20	55	SGRX 18x20	95		
R4 MG20	55	SGRX 20x20	95		

FABER is also...
CORIS® conveyor solutions.



h¹ MOOVITIQUE FABER, is also :



Screws, multi-format tooling
for packaging lines



Twisters
for packaging lines



Machined plastic parts



Coris® solutions
for packaging lines

ELCOM

1 rue Isaac Asimov
Z.A.C. La Maladière
38300 Bourgoin-Jallieu

8 avenue Louis Blériot
95740 Frépillon

FABER

Rue Henri Dunant
Z.I.
08140 Bazeilles

ZI de la Haie Griselle
94460 Boissy St Léger



info@faber.fr
www.faber.fr
Tél : +33(0)3.24.27.03.29

TRANSEPT

P.A. du Bois David
85300 Challans

6 Z.A. Les Sablons
27460 Alizay

hellomoov
one move ahead

  Join the
move
hellomoov.com